

US00D668495S

(12) **United States Design Patent**
Henderson

(10) **Patent No.:** **US D668,495 S**

(45) **Date of Patent:** **** Oct. 9, 2012**

(54) **CUP HOLDER SUPPORTED POSITIONABLE
TABLET HOLDER**

D398,796 S * 9/1998 Fauchald et al. D6/512
D618,009 S * 6/2010 Lancet D6/419
D653,066 S * 1/2012 Henderson D6/553

* cited by examiner

(76) Inventor: **Timothy John Henderson**, Hong Kong
(CN)

Primary Examiner — Brian N Vinson

(**) Term: **14 Years**

(74) *Attorney, Agent, or Firm* — William A. Jeckle

(21) Appl. No.: **29/374,856**

(57) **CLAIM**

I claim the ornamental design for cup holder supported positionable tablet holder, as shown and described.

(22) Filed: **Oct. 17, 2011**

DESCRIPTION

(51) **LOC (9) Cl.** **06-04**

FIG. 1 is an isometric top, side and back view of the cup holder supported positionable tablet holder showing my design.

(52) **U.S. Cl.** **D6/553**

FIG. 2 is an orthographic front view thereof.

(58) **Field of Classification Search** D6/312,

D6/419, 429, 406.2, 512, 513, 514, 553, 567;

FIG. 3 is an orthographic back view thereof.

248/441.1, 447, 448, 454, 455, 457, 458,

FIG. 4 is an orthographic left side view thereof.

248/446

FIG. 5 is an orthographic right side view thereof.

See application file for complete search history.

FIG. 6 is an orthographic top, downward looking view thereof; and,

(56) **References Cited**

U.S. PATENT DOCUMENTS

D205,848 S * 9/1966 Poole D6/512
D342,173 S * 12/1993 Kirchner et al. D6/511

FIG. 7 is an orthographic bottom, upward looking view thereof.

1 Claim, 5 Drawing Sheets

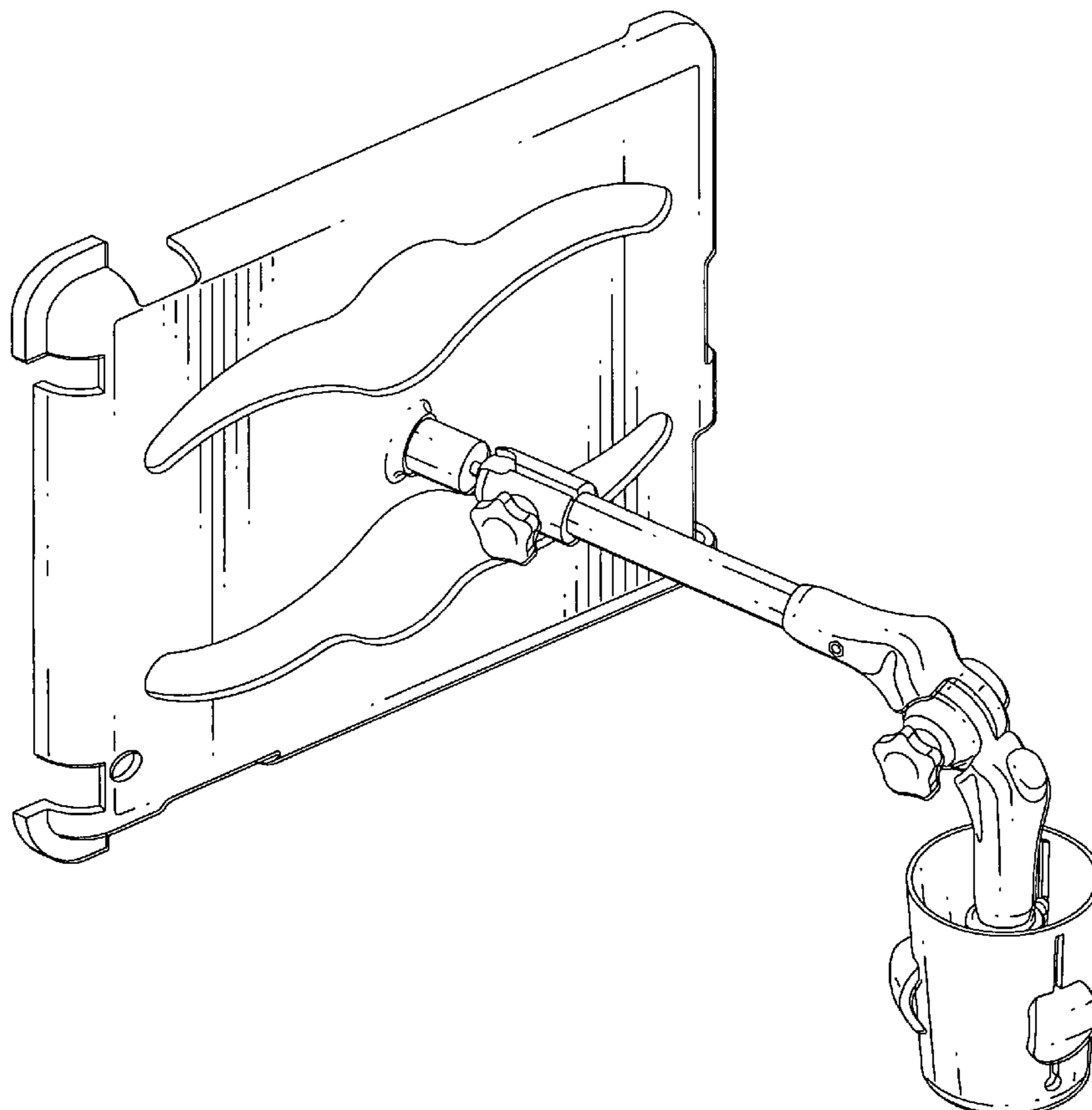
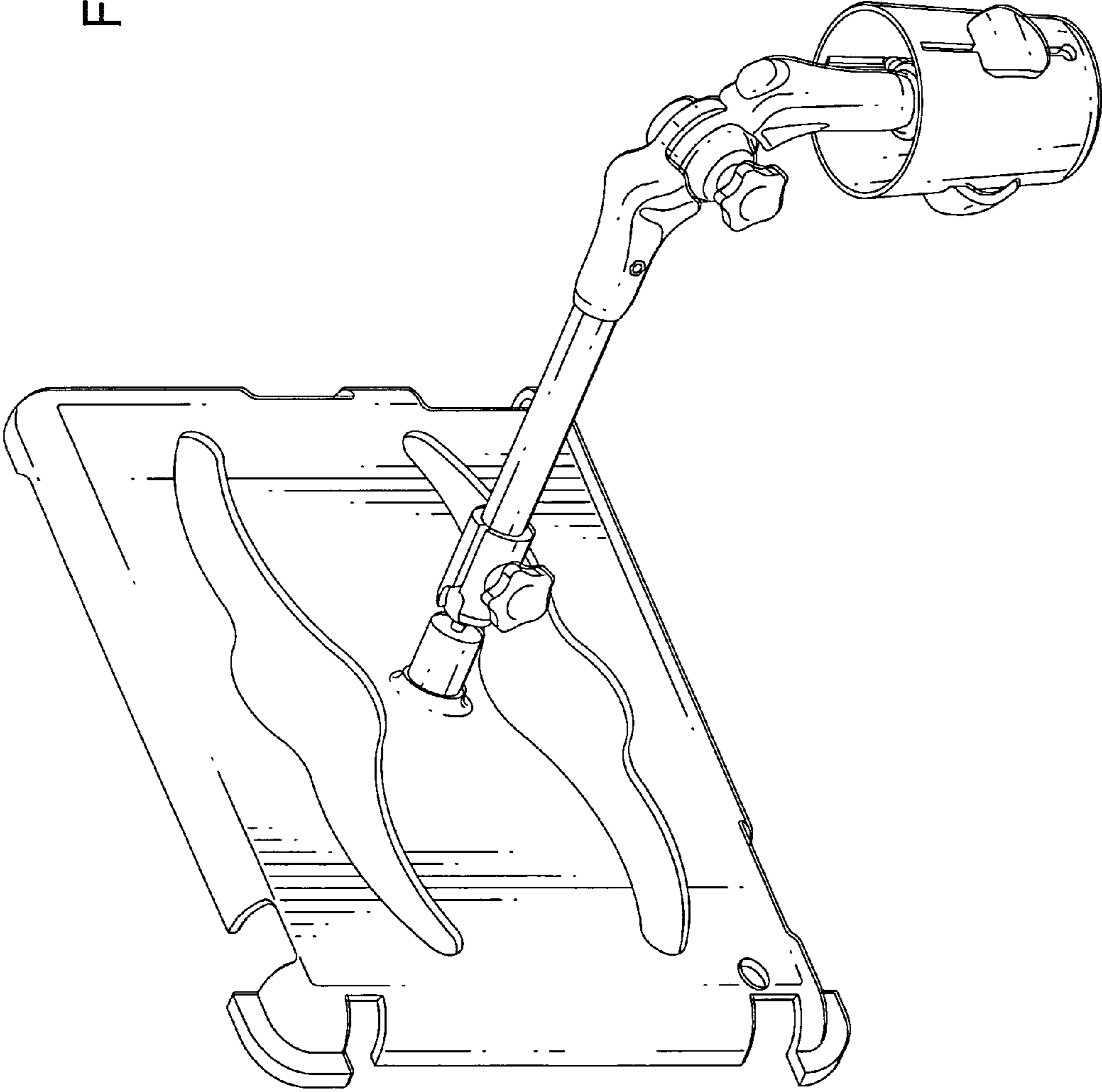


FIG. 1



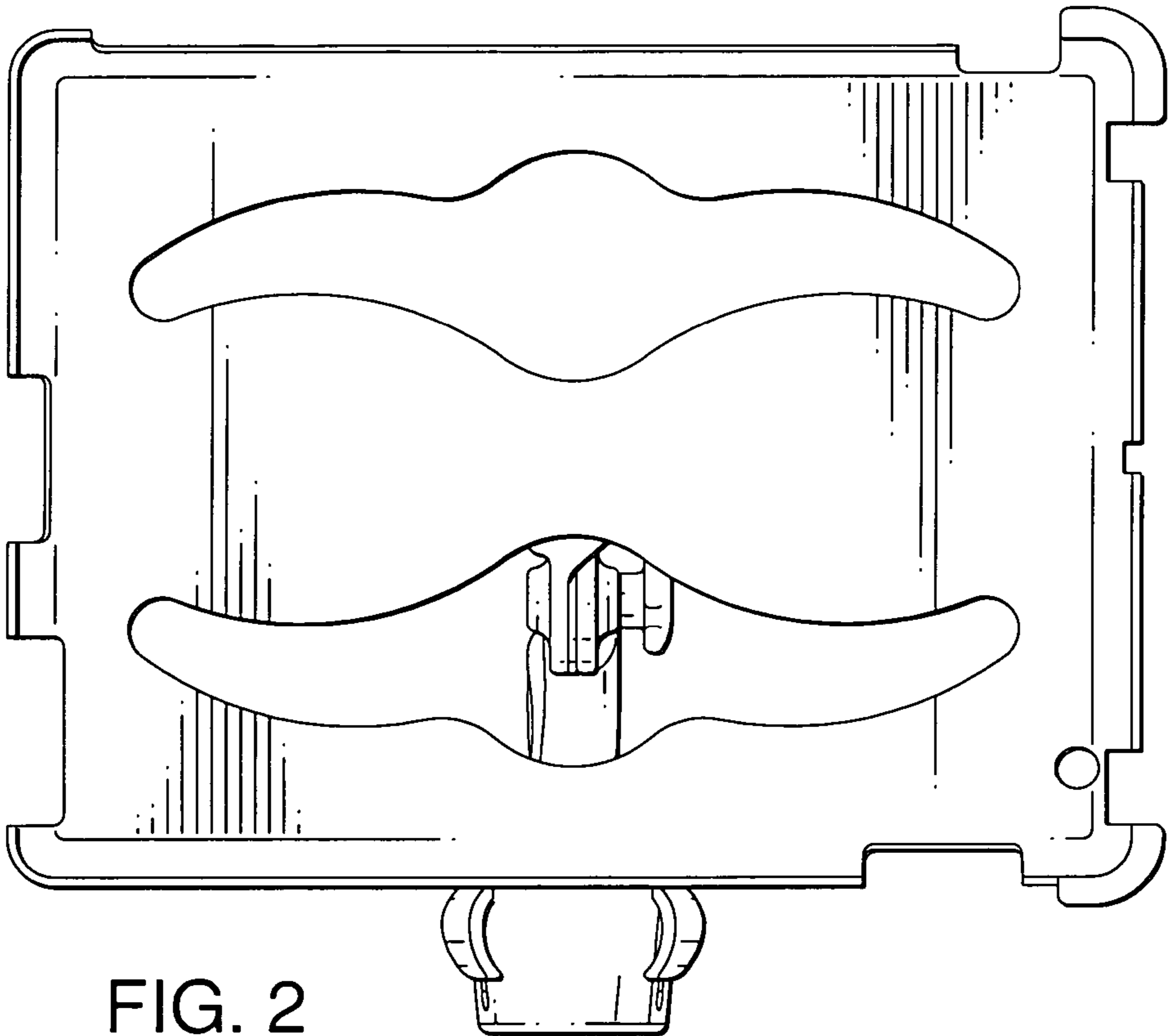


FIG. 2

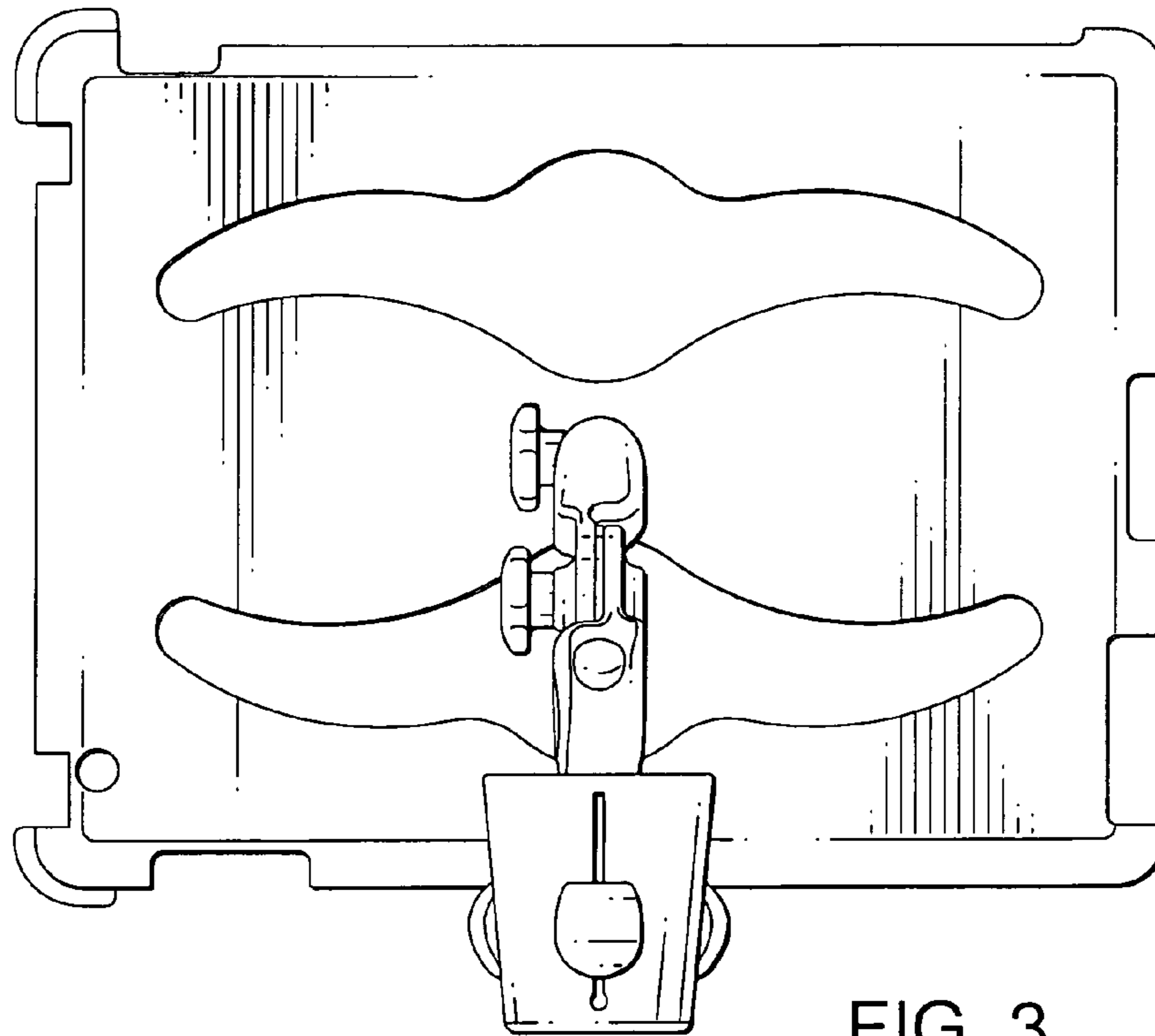


FIG. 3

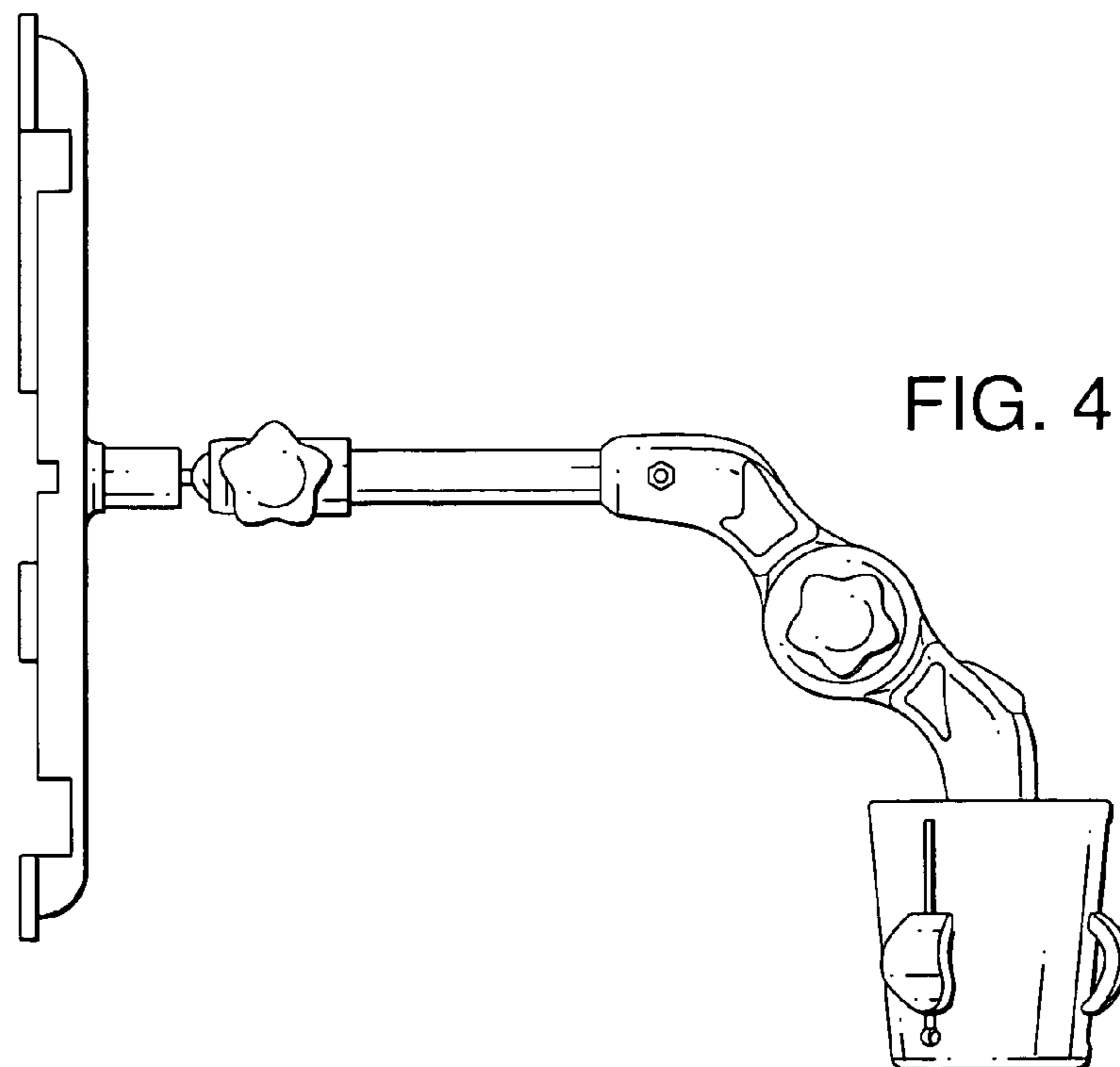


FIG. 4

FIG. 5

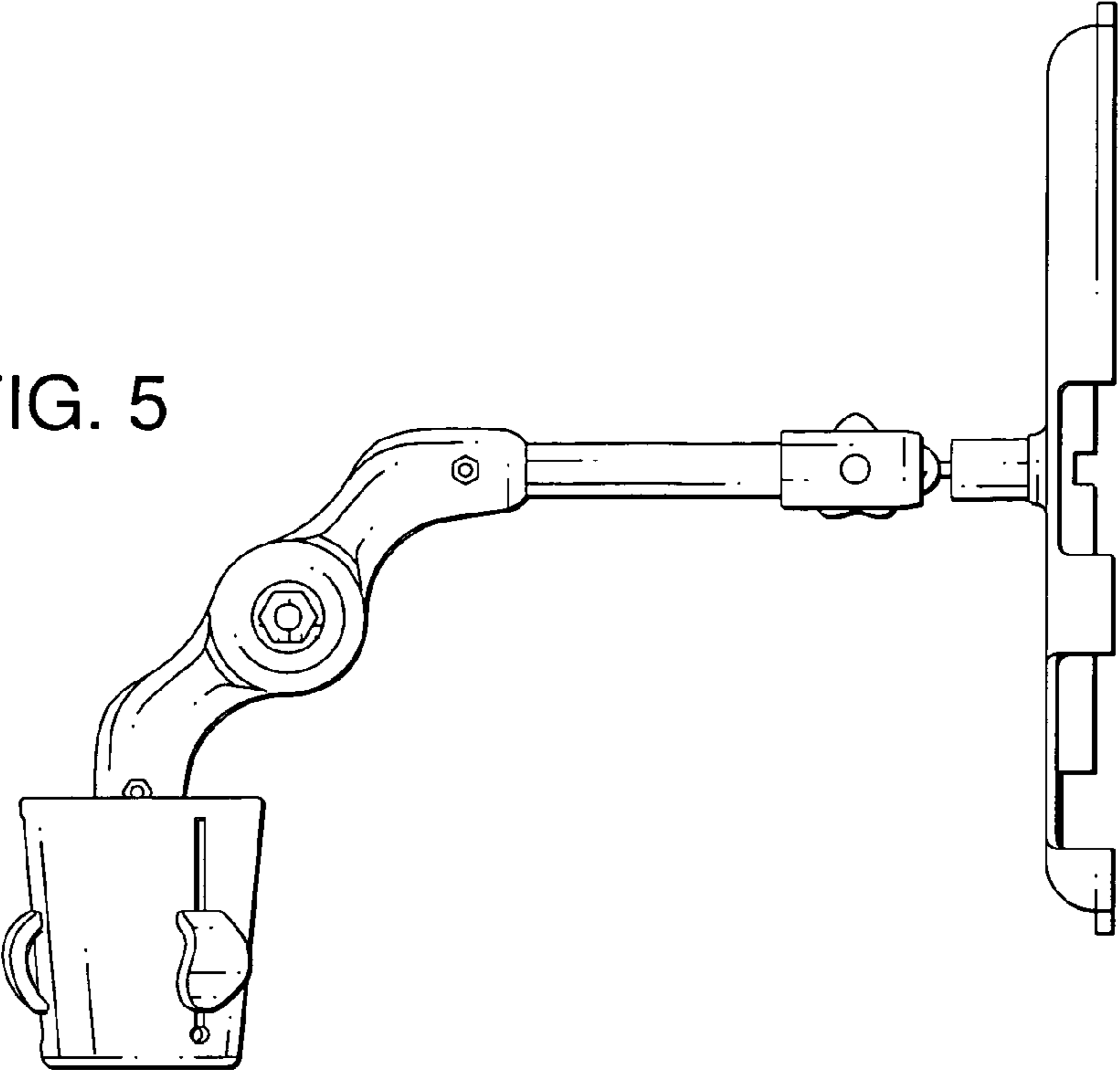
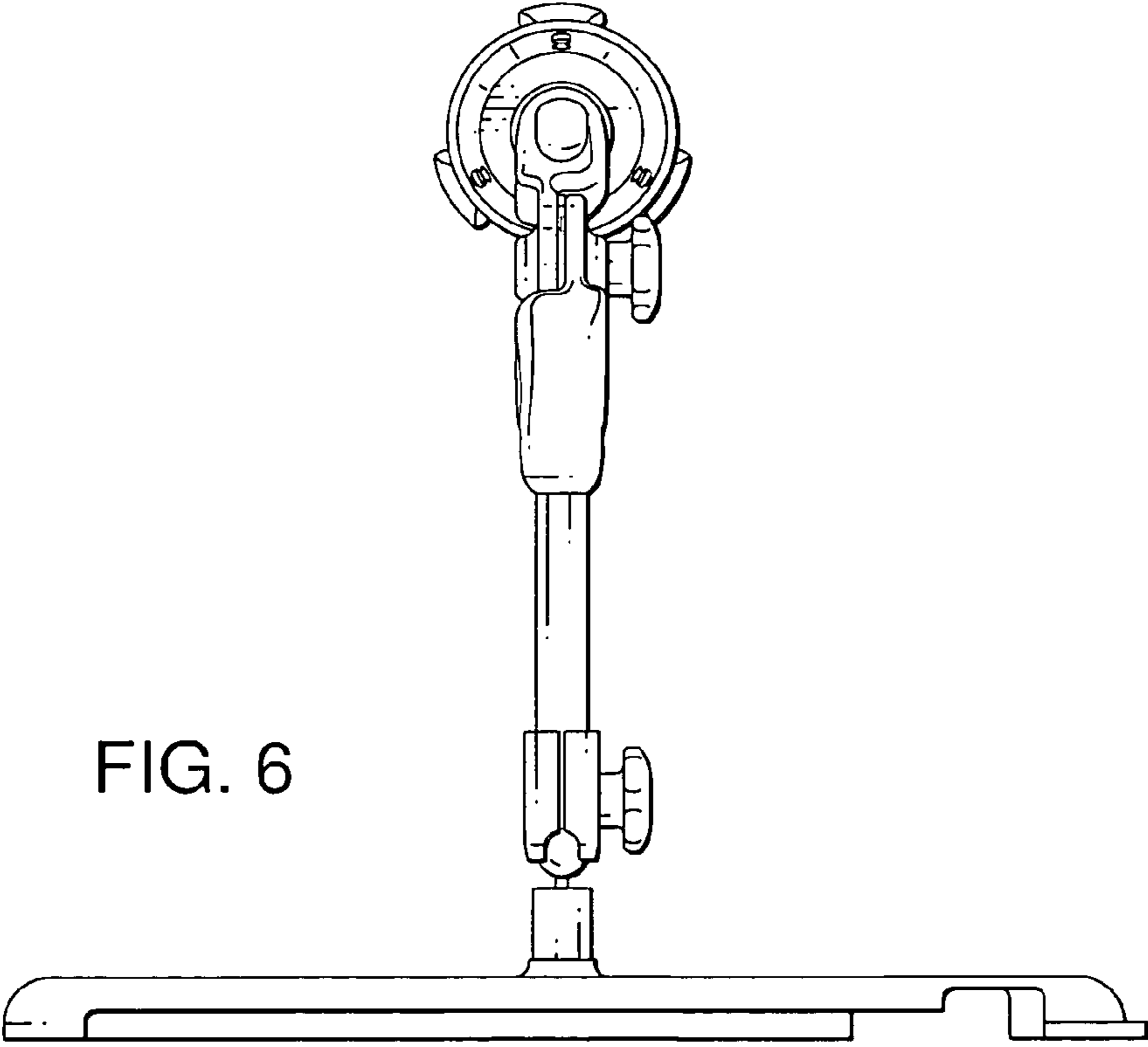


FIG. 6



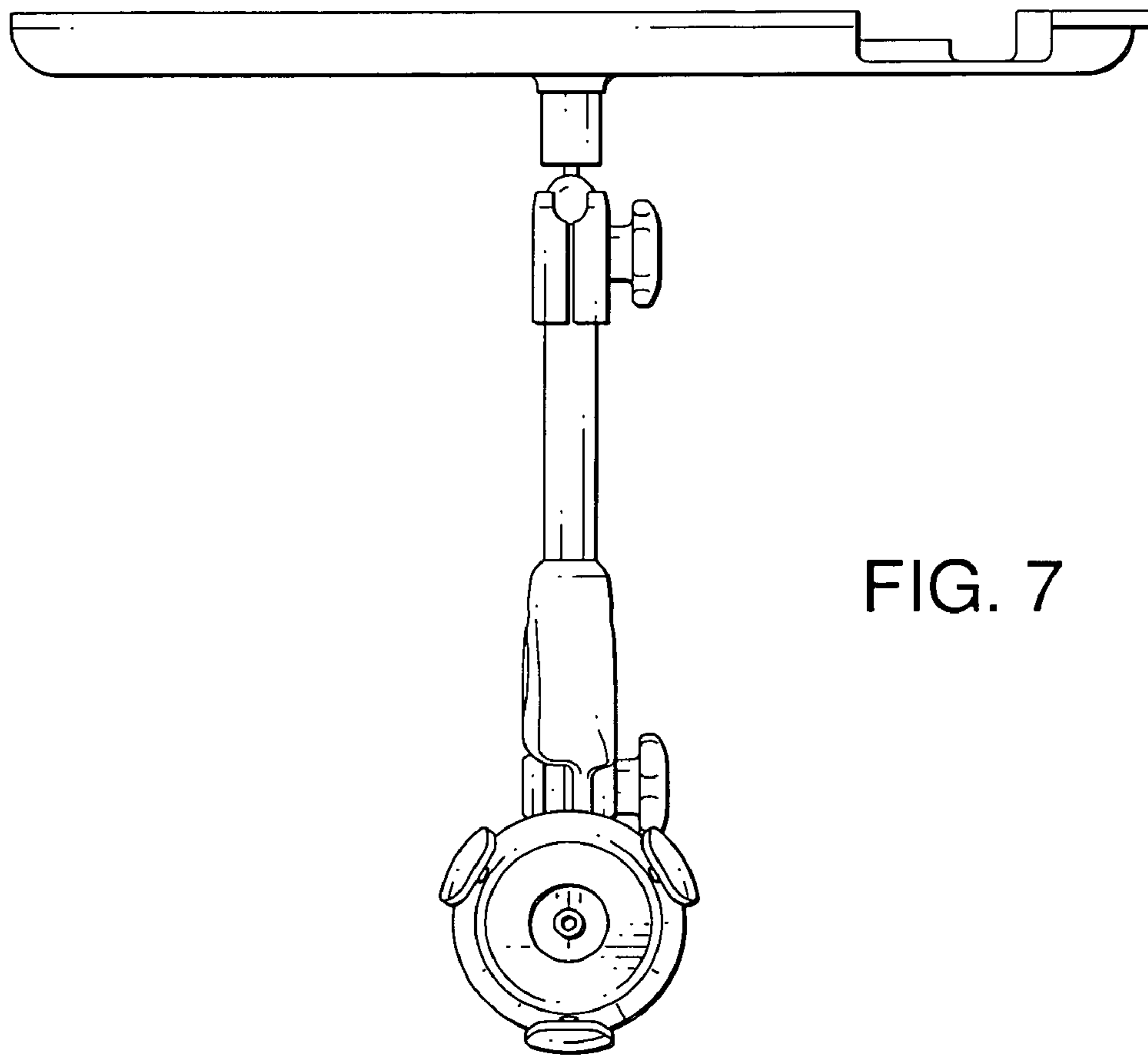


FIG. 7