



US00D668494S

(12) **United States Design Patent**
Nazario

(10) **Patent No.:** **US D668,494 S**

(45) **Date of Patent:** **** Oct. 9, 2012**

(54) **DOUBLE TOWEL BAR**

(56) **References Cited**

(75) Inventor: **Mercedita Andrew Nazario**, Chicago, IL (US)

U.S. PATENT DOCUMENTS

(73) Assignee: **Liberty Hardware Mfg. Corp.**, Winston-Salem, NC (US)

D453,649 S *	2/2002	Hoernig	D6/548
D477,737 S *	7/2003	Hoernig	D6/548
D492,528 S *	7/2004	Graves et al.	D6/548
D493,317 S *	7/2004	Hoernig	D6/548
D575,089 S *	8/2008	Krumpe et al.	D6/548

(**) Term: **14 Years**

* cited by examiner

(21) Appl. No.: **29/414,338**

Primary Examiner — Brian N Vinson

(74) *Attorney, Agent, or Firm* — Lora J. Graentzdoerffer; Nirav D. Parikh; Edgar A. Zarins

(22) Filed: **Feb. 28, 2012**

(57) **CLAIM**

The ornamental design for a double towel bar, as shown and described.

(51) **LOC (9) Cl.** **06-04**

(52) **U.S. Cl.** **D6/548**

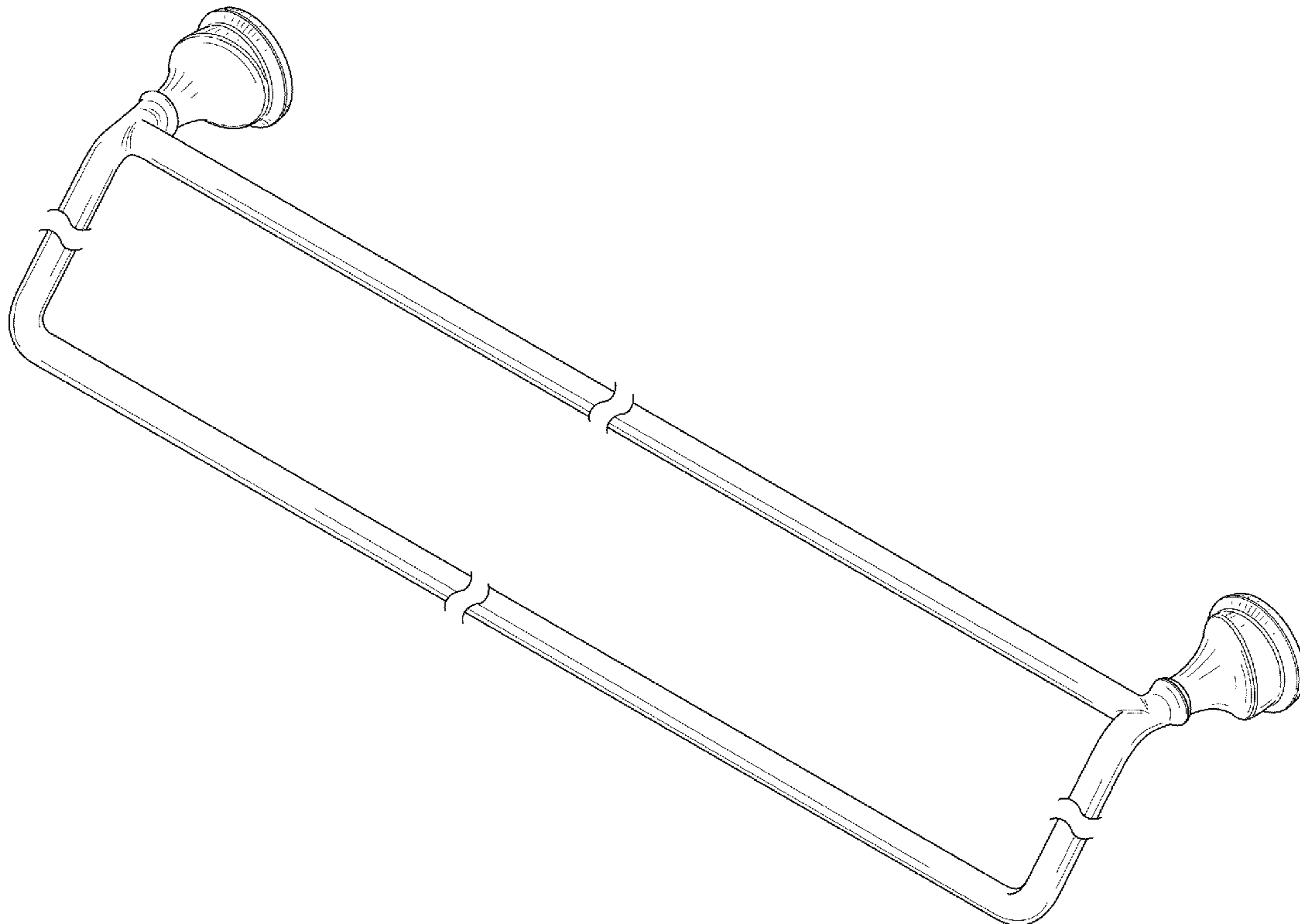
(58) **Field of Classification Search** D6/546–548, D6/518–519, 522–524; D8/300, 303, 315–321, D8/354, 363, 373, 380; 108/28, 29; 211/13.1, 211/16, 60.1, 86.01, 87.01, 88.01, 88.04, 211/100, 105.1, 105.2, 119.003, 123, 126.1, 211/133.6, 134, 181.1, 182; 248/175, 176.1, 248/200, 214, 251, 302, 309.1; 16/110.1, 16/412, 415; 242/570, 590; 206/389, 357

DESCRIPTION

FIG. 1 is a perspective view thereof;
FIG. 2 is a front elevational view thereof;
FIG. 3 is a rear elevational view thereof;
FIG. 4 is a top plan view thereof;
FIG. 5 is a bottom plan view thereof;
FIG. 6 is a left side elevational view thereof; and,
FIG. 7 is a right side elevational view thereof.
The broken-line disclosure in the views represents portions of the article in which the claimed design is embodied, but which form no part of the claimed design.

See application file for complete search history.

1 Claim, 6 Drawing Sheets



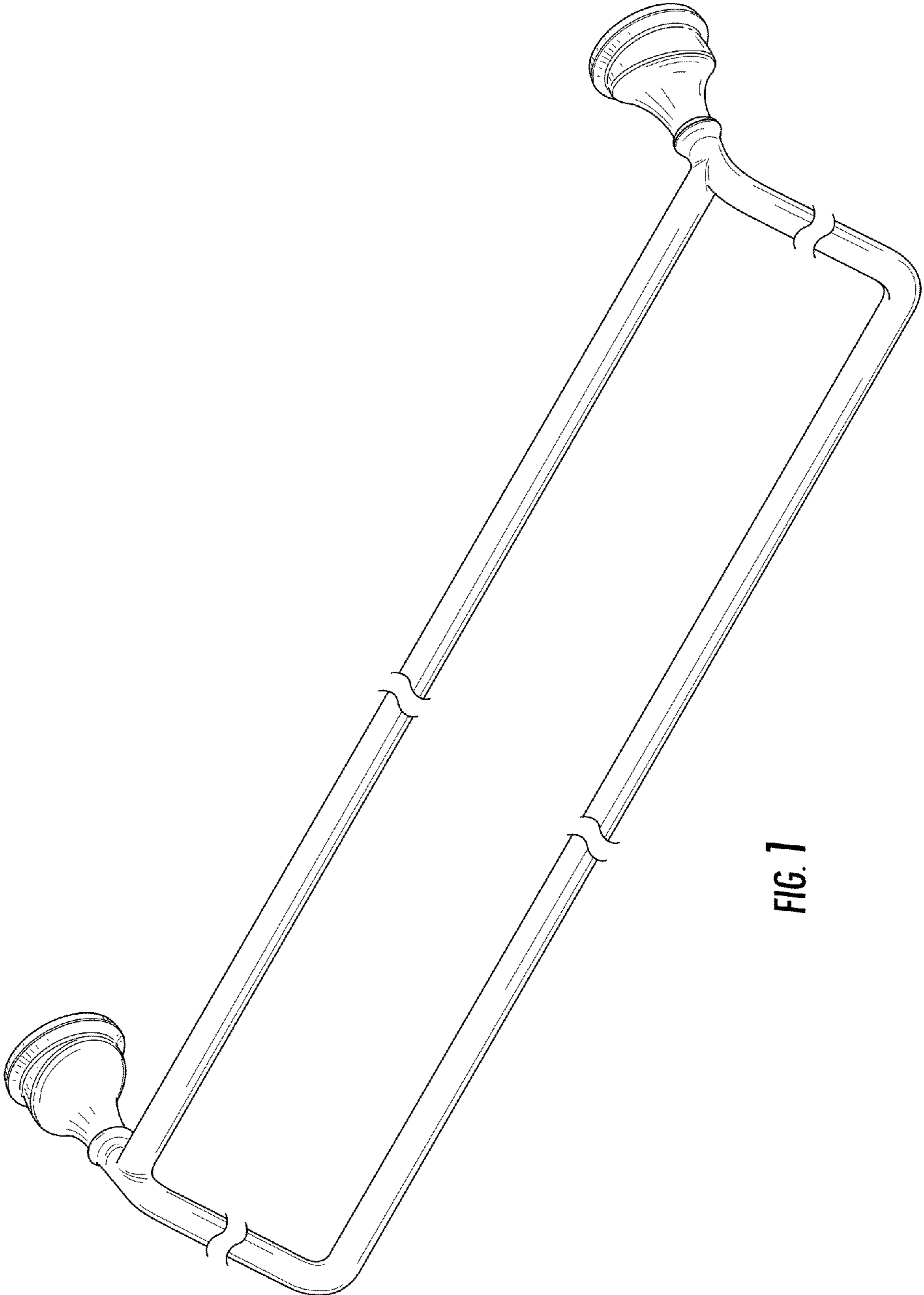


FIG. 1

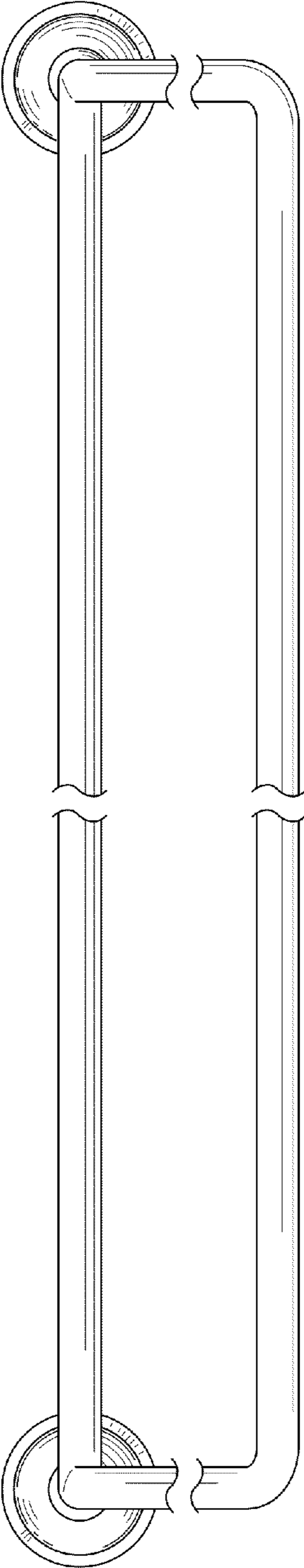


FIG. 2

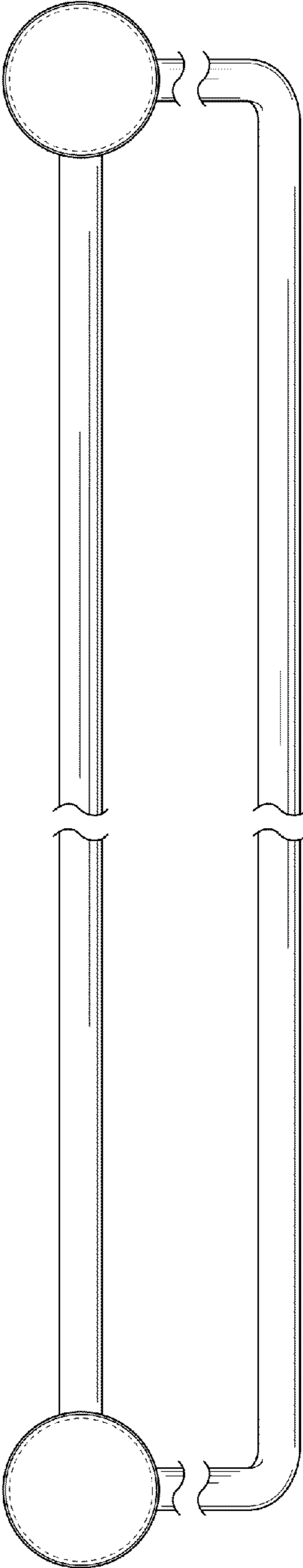


FIG. 3

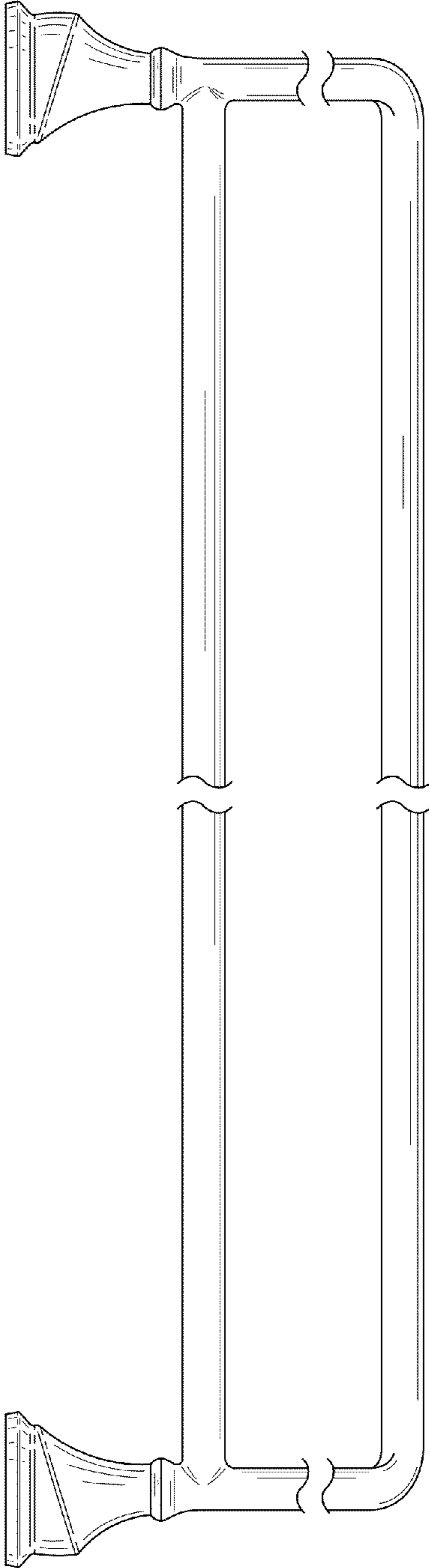


FIG. 4

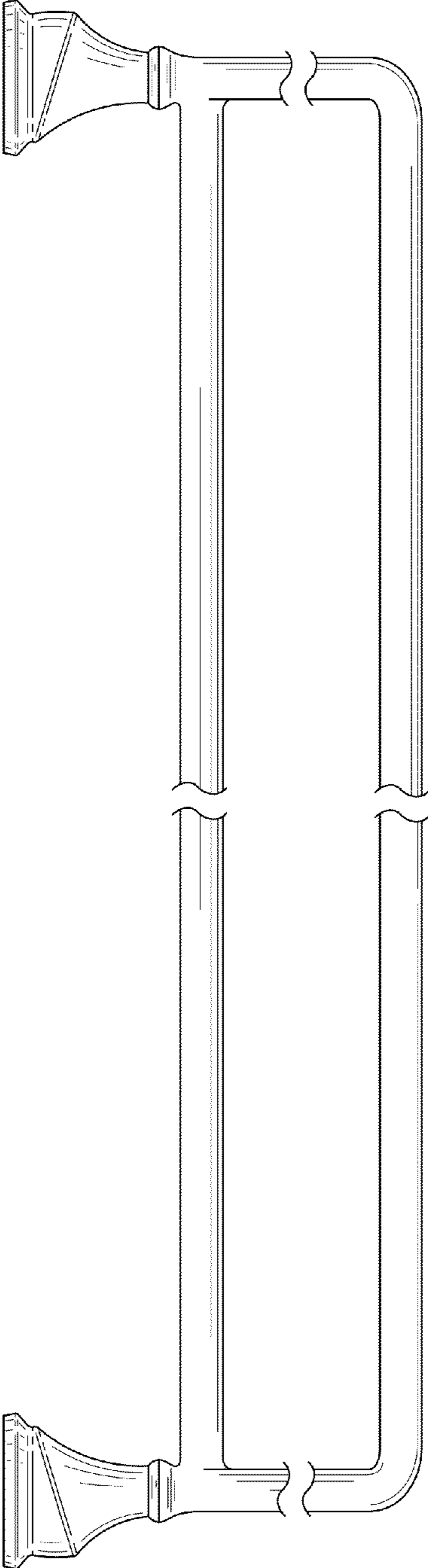


FIG. 5

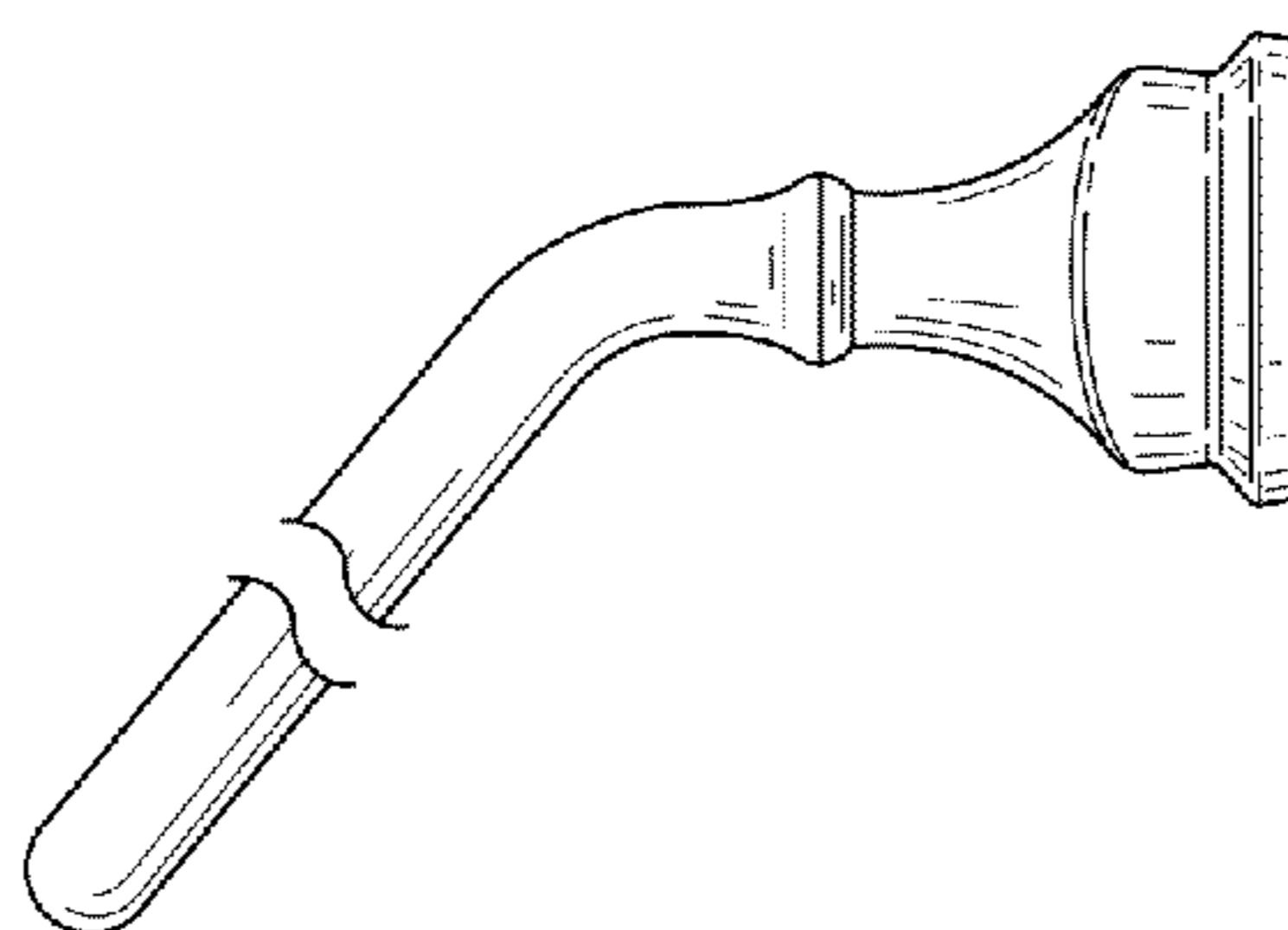


FIG. 6

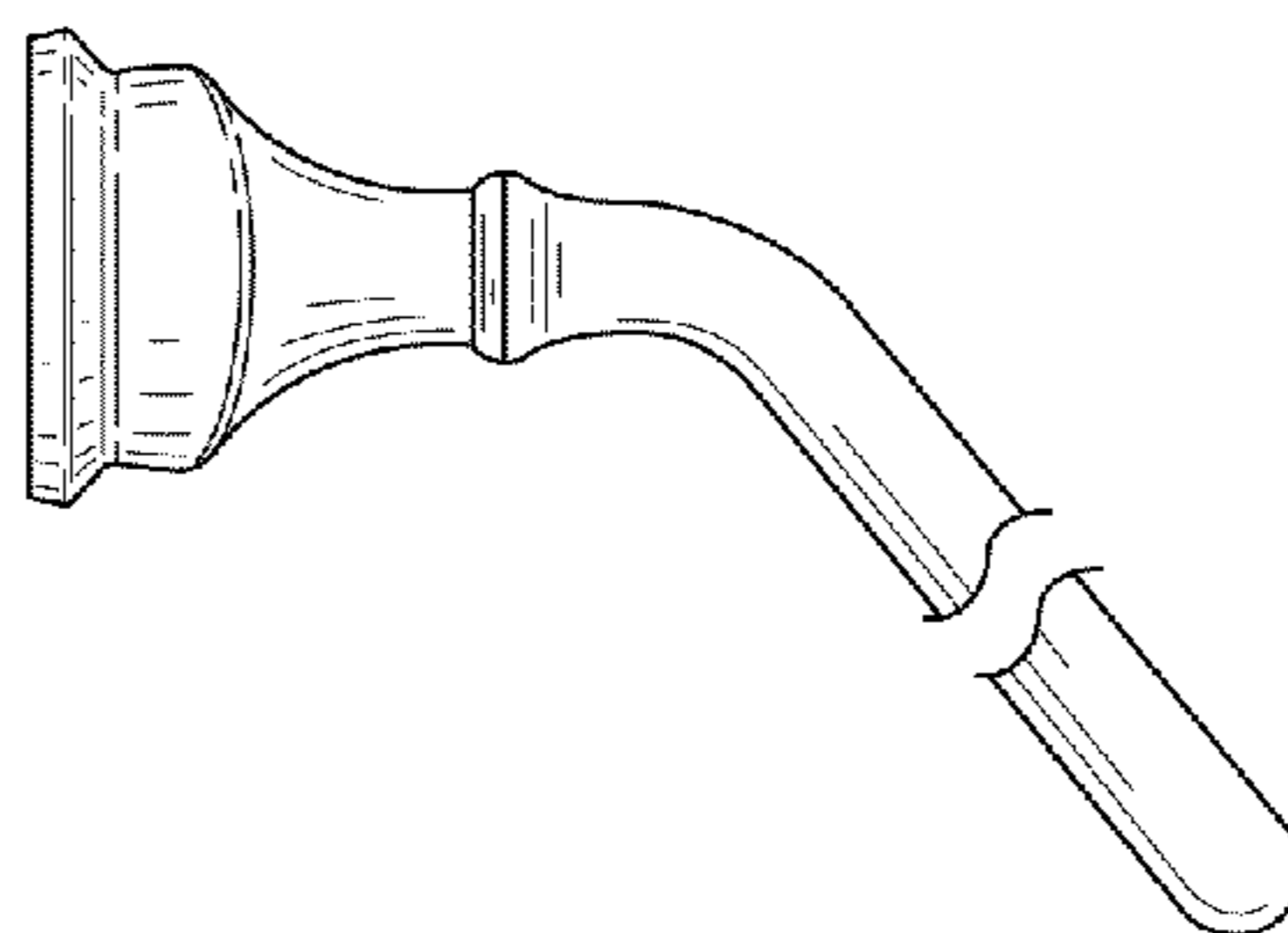


FIG. 7