



US00D668493S

(12) **United States Design Patent**
Krumpe

(10) **Patent No.:** **US D668,493 S**

(45) **Date of Patent:** **** Oct. 9, 2012**

(54) **DOUBLE TOWEL BAR**

(75) Inventor: **Geraint Krumpe**, Chicago, IL (US)

(73) Assignee: **Liberty Hardware Mfg. Corp.**,
Winston-Salem, NC (US)

(**) Term: **14 Years**

(21) Appl. No.: **29/414,327**

(22) Filed: **Feb. 28, 2012**

(51) **LOC (9) Cl.** **06-04**

(52) **U.S. Cl.** **D6/548**

(58) **Field of Classification Search** D6/546-548,
D6/518-519, 522-524; D8/300, 303, 315-321,
D8/354, 363, 373, 380; 108/28, 29; 211/13.1,
211/16, 60.1, 86.01, 87.01, 88.01, 88.04,
211/100, 105.1, 105.2, 119.003, 123, 126.1,
211/133.6, 134, 181.1, 182; 248/175, 176.1,
248/200, 214, 251, 302, 309.1; 16/110.1,
16/412, 415; 242/570, 590; 206/389, 357

See application file for complete search history.

(56) **References Cited**

U.S. PATENT DOCUMENTS

D453,649 S * 2/2002 Hoernig D6/548
D477,737 S * 7/2003 Hoernig D6/548

D492,528 S * 7/2004 Graves et al. D6/548
D493,317 S * 7/2004 Hoernig D6/548
D575,089 S * 8/2008 Krumpe et al. D6/548

* cited by examiner

Primary Examiner — Brian N Vinson

(74) *Attorney, Agent, or Firm* — Lora J. Graentzdoerffer;
Nariv D. Parikh; Edgar A. Zarins

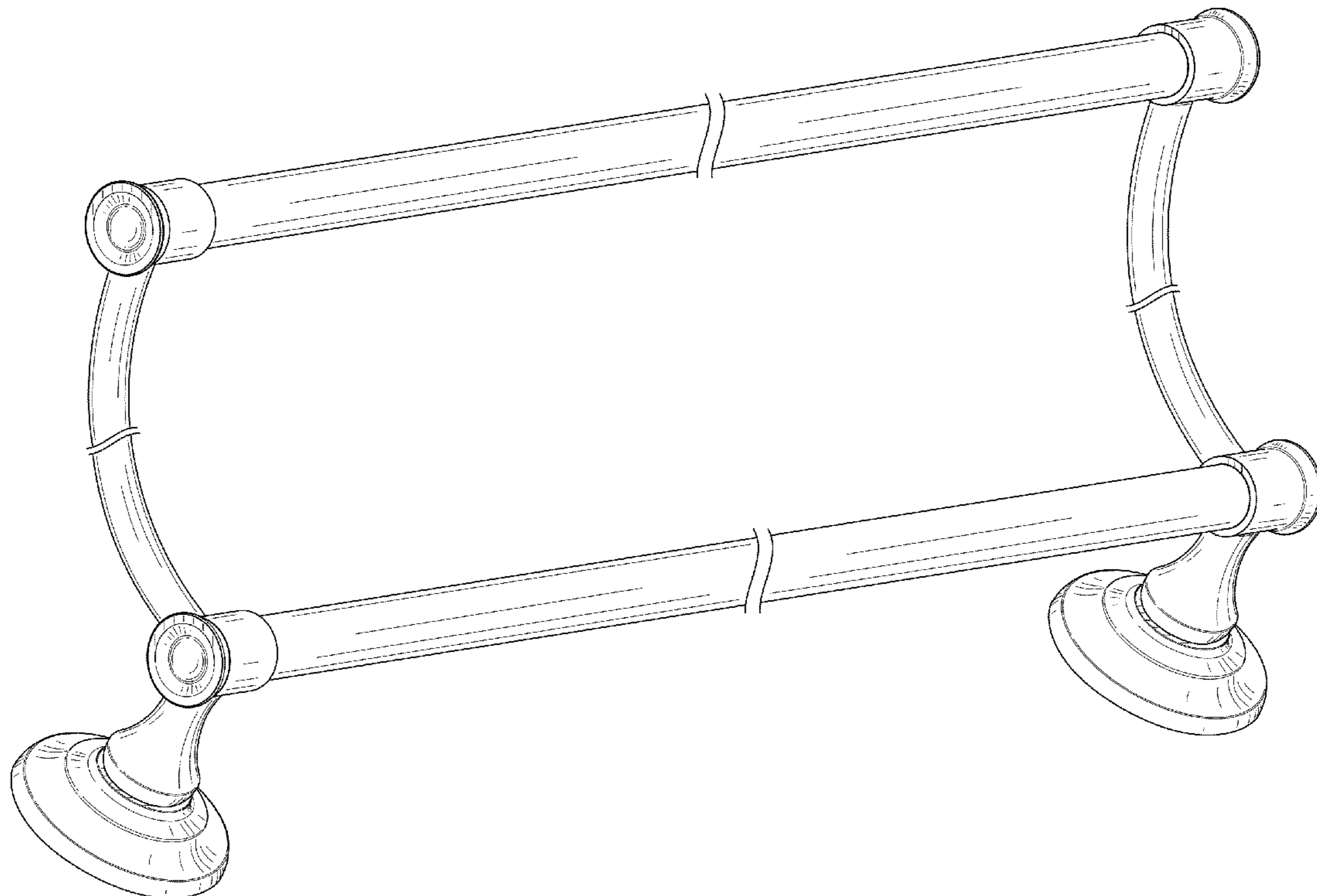
(57) **CLAIM**

The ornamental design for a double towel bar, as shown and described.

DESCRIPTION

FIG. 1 is a perspective view of a double towel bar showing our design;
FIG. 2 is a front elevational view thereof;
FIG. 3 is a rear elevational view thereof;
FIG. 4 is a top plan view thereof;
FIG. 5 is a bottom plan view thereof;
FIG. 6 is a left side elevational view thereof; and,
FIG. 7 is a right side elevational view thereof.
The broken-line disclosure in the views represents portions of the article in which the claimed design is embodied, but which form no part of the claimed design.

1 Claim, 7 Drawing Sheets



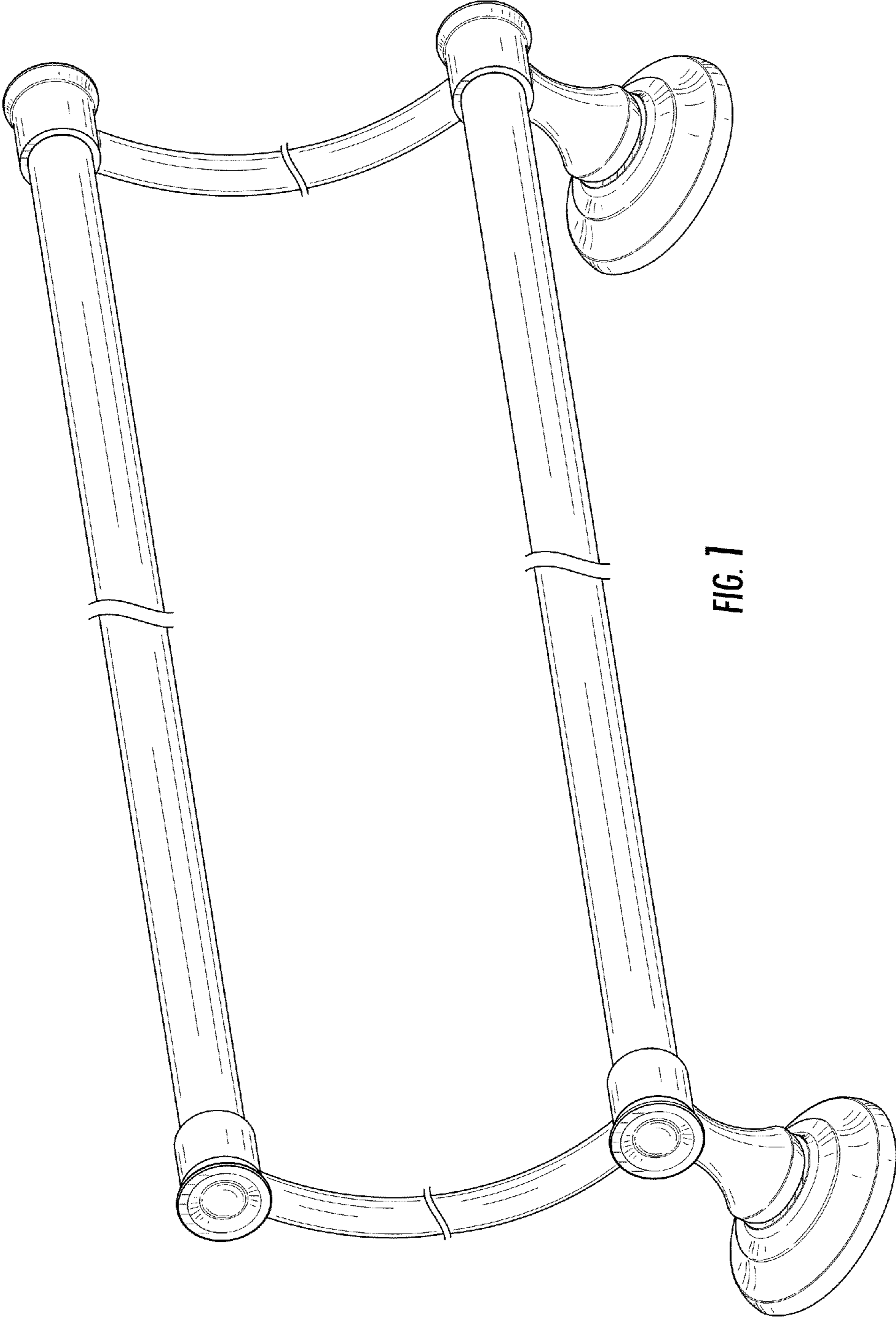


FIG. 1



FIG. 2

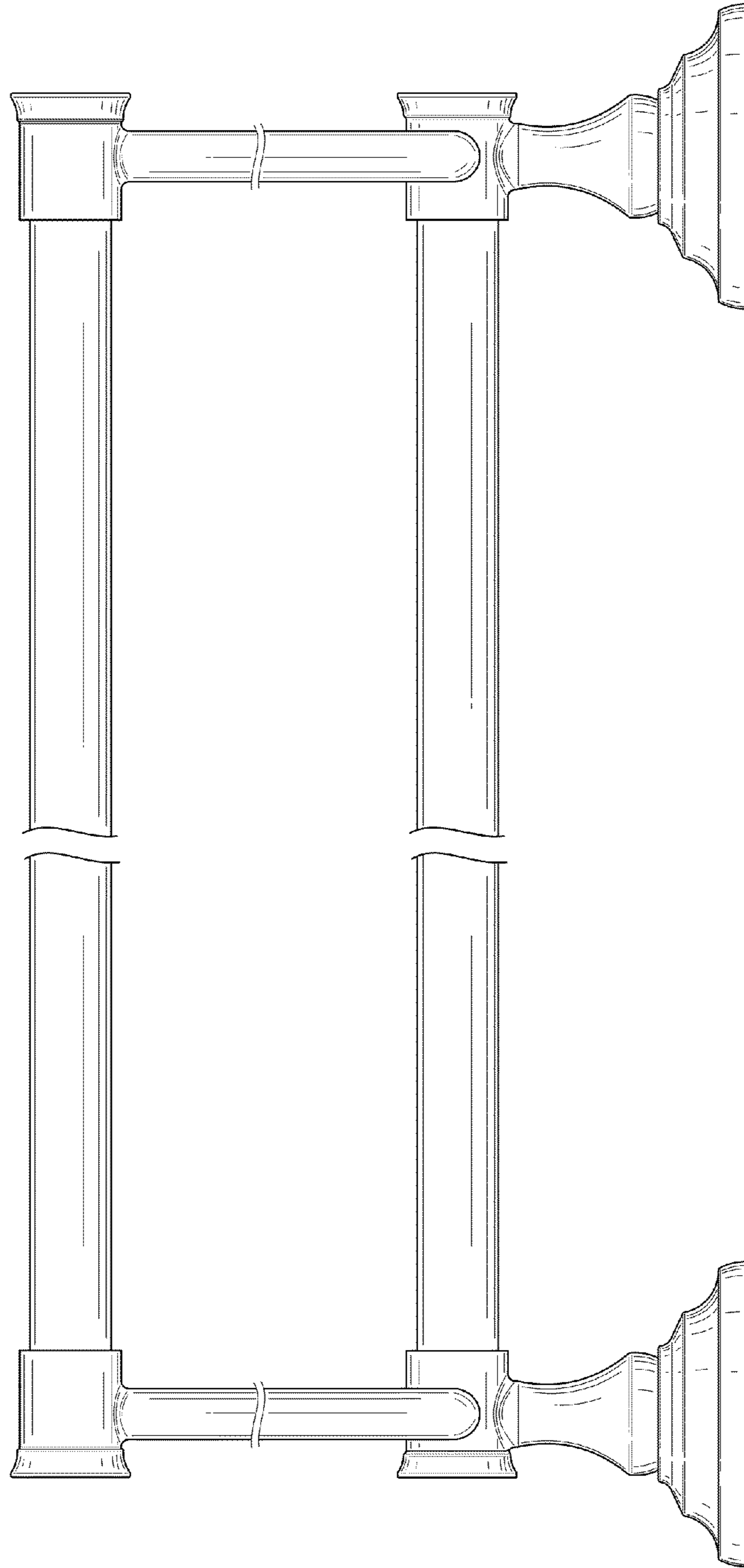


FIG. 3

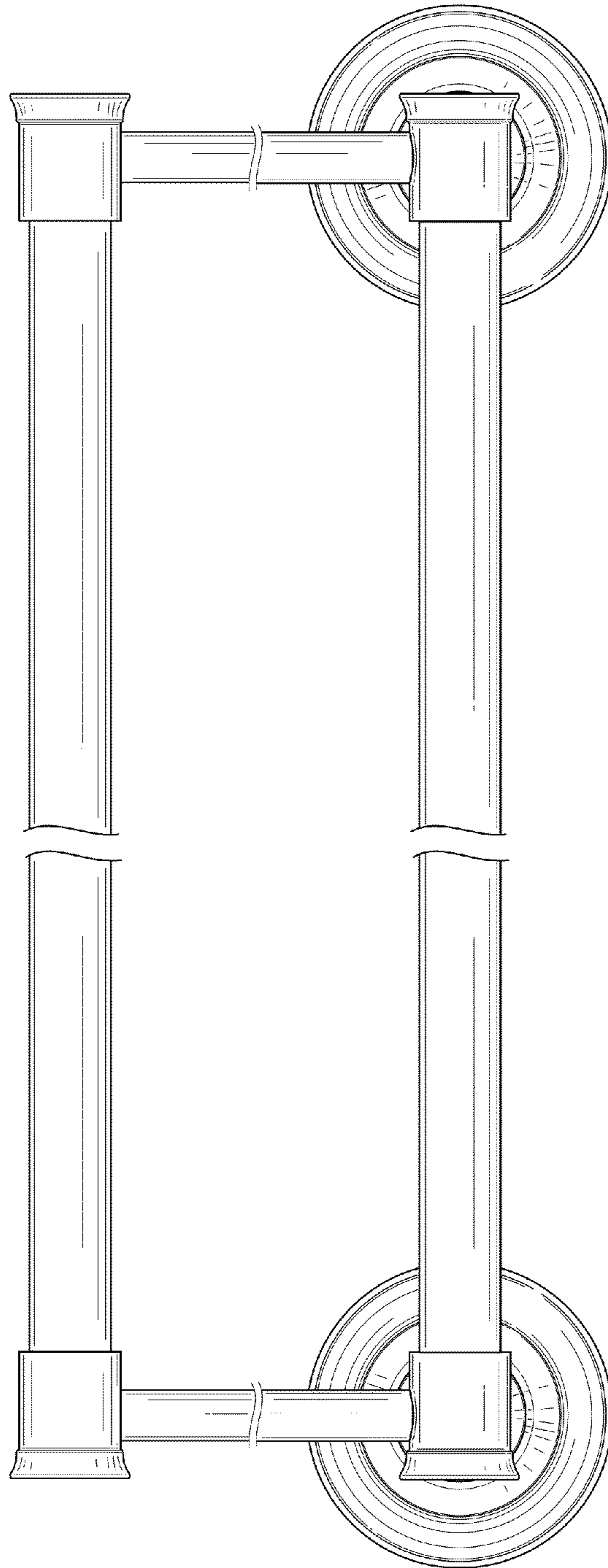


FIG. 4



FIG. 5

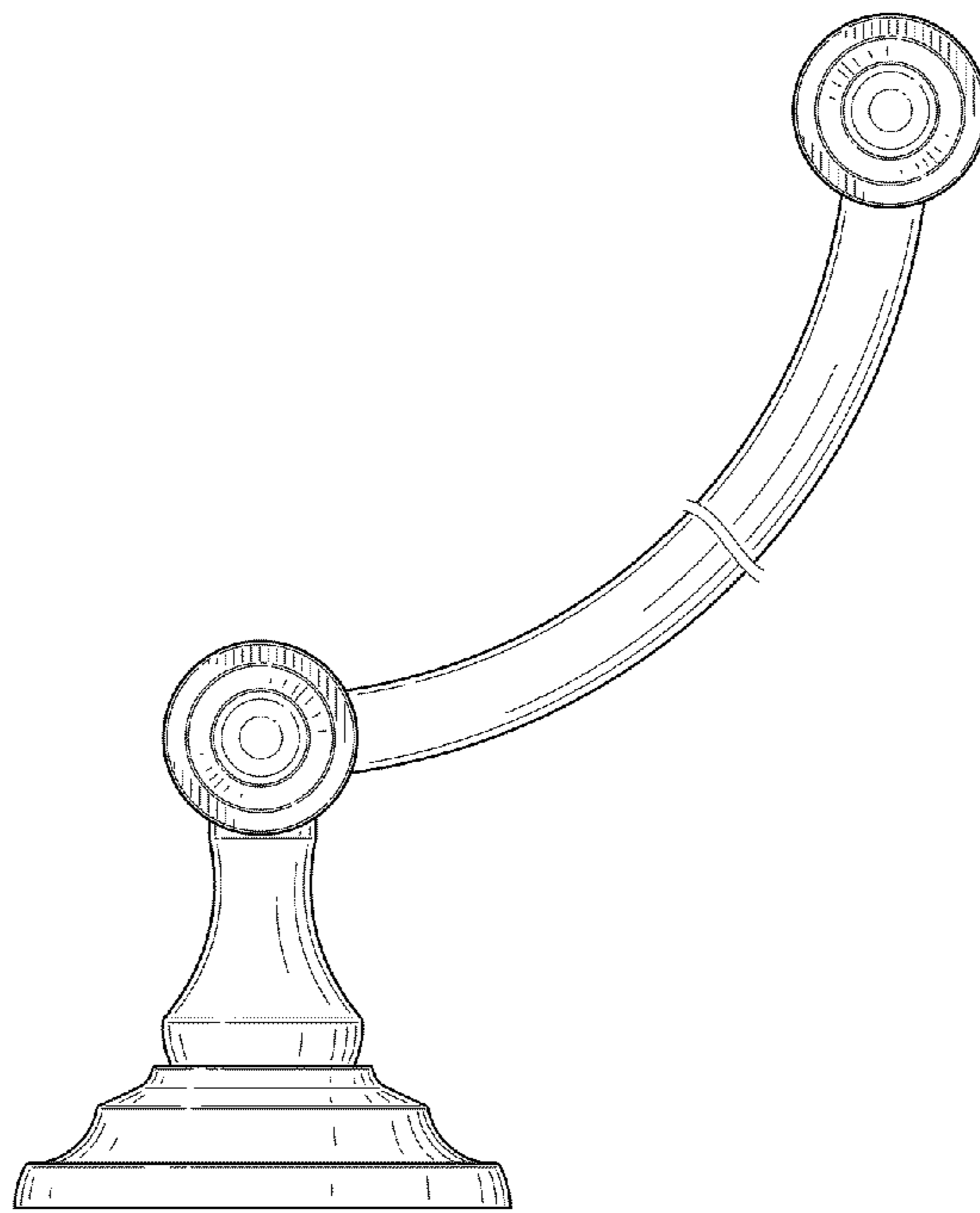


FIG. 6

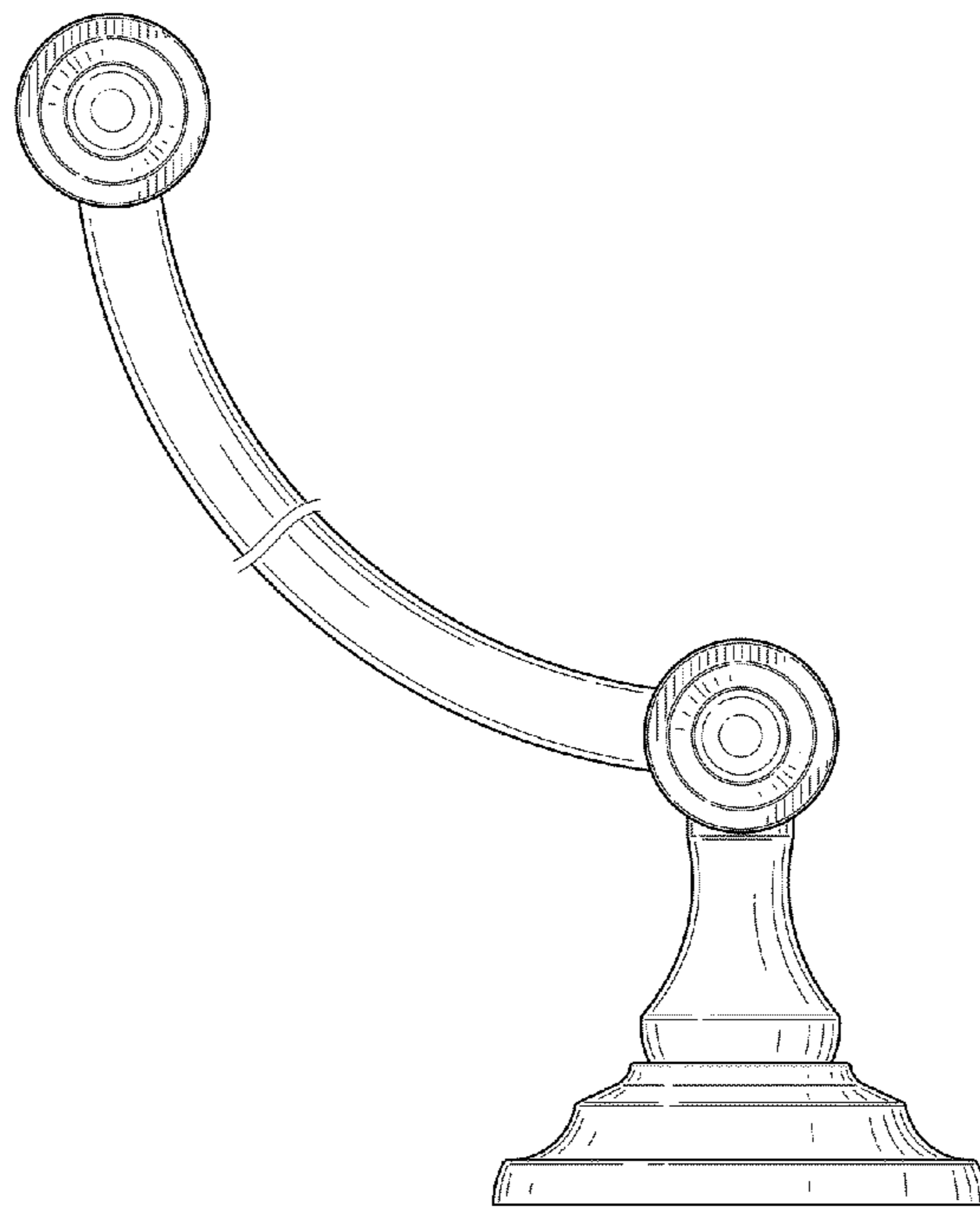


FIG. 7