

US00D668492S

(12) **United States Design Patent**
Brown

(10) **Patent No.:** **US D668,492 S**

(45) **Date of Patent:** **** Oct. 9, 2012**

(54) **SOAP DISPENSER**

(75) Inventor: **Maximus Brown**, Brooklyn, NY (US)

(73) Assignee: **Maximus Products, LLC**, Brooklyn, NY (US)

(**) Term: **14 Years**

(21) Appl. No.: **29/406,535**

(22) Filed: **Nov. 16, 2011**

(51) **LOC (9) Cl.** **23-02**

(52) **U.S. Cl.** **D6/545**

(58) **Field of Classification Search** D6/542-545;
221/208, 282, 283; 222/105, 173, 180, 181.1,
222/181.2, 181.3

See application file for complete search history.

(56) **References Cited**

U.S. PATENT DOCUMENTS

- D364,299 S * 11/1995 Lax D6/545
- D416,417 S * 11/1999 Ross et al. D6/545
- D530,123 S * 10/2006 Ophardt et al. D6/545

- D578,331 S * 10/2008 Tomic et al. D6/545
- D623,880 S * 9/2010 White D6/545
- D637,848 S * 5/2011 Kramer et al. D6/545

* cited by examiner

Primary Examiner — Brian N Vinson

(74) *Attorney, Agent, or Firm* — McKinney Law, PLLC

(57) **CLAIM**

The ornamental design for a soap dispenser, as shown and described.

DESCRIPTION

FIG. 1 is a front elevational view of a soap dispenser showing my new design;

FIG. 2 is a rear elevational view thereof;

FIG. 3 is a left side elevational view thereof;

FIG. 4 is a right side elevational view thereof;

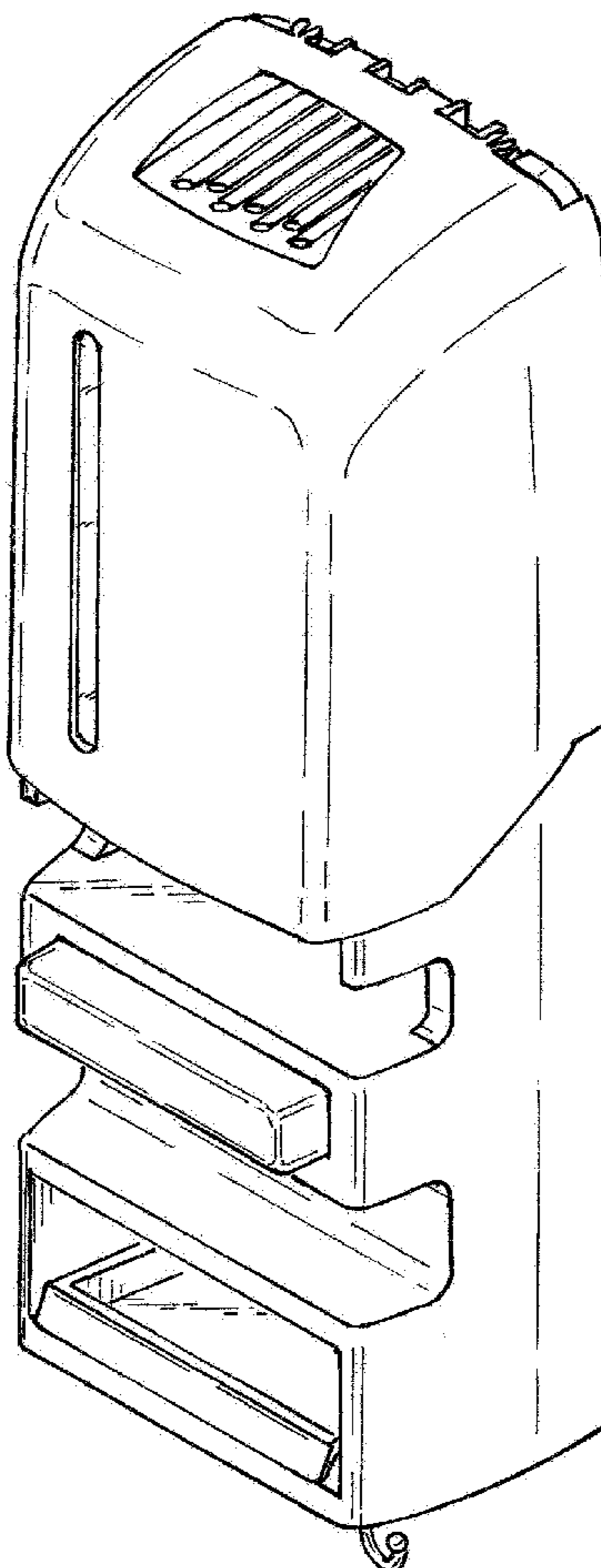
FIG. 5 is a top plan view thereof;

FIG. 6 is a bottom plan view thereof; and,

FIG. 7 is a top, front, and right side perspective thereof.

The broken-line disclosure in the view is understood to represent portions of the article in which the claimed design is embodied, but which form no part of the claimed design.

1 Claim, 4 Drawing Sheets



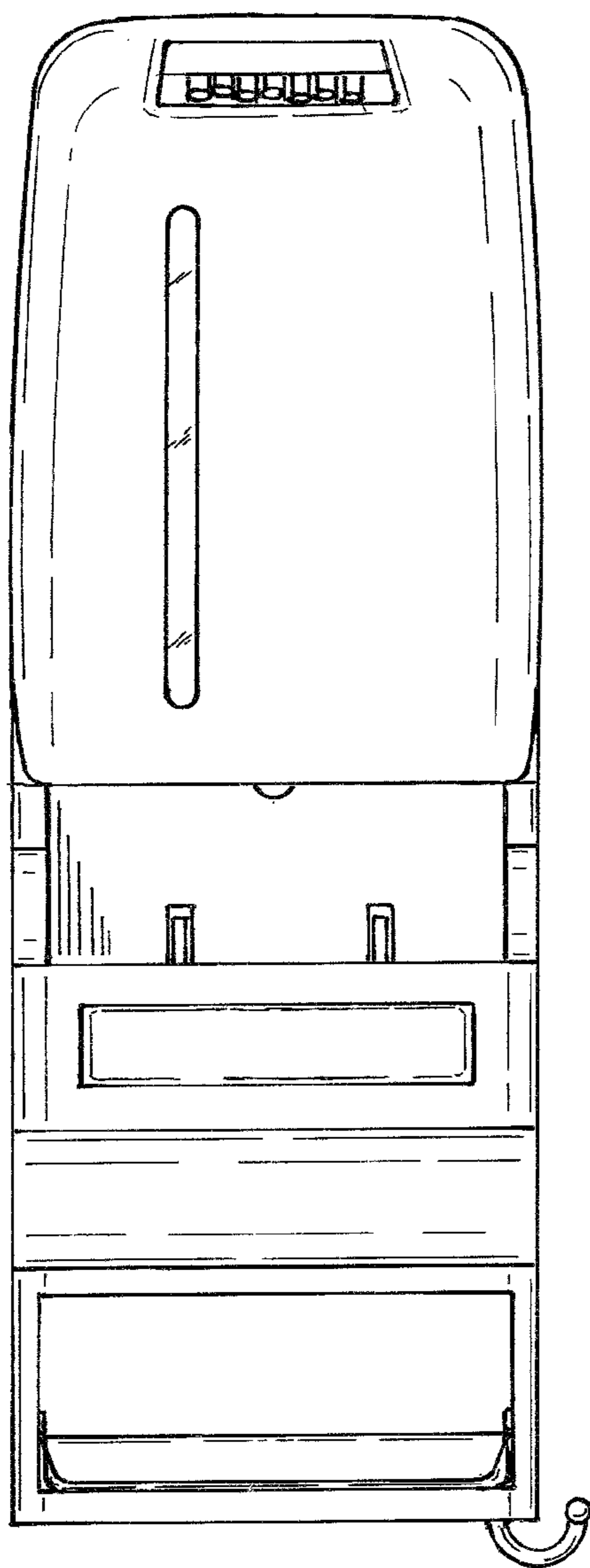


FIG. 1

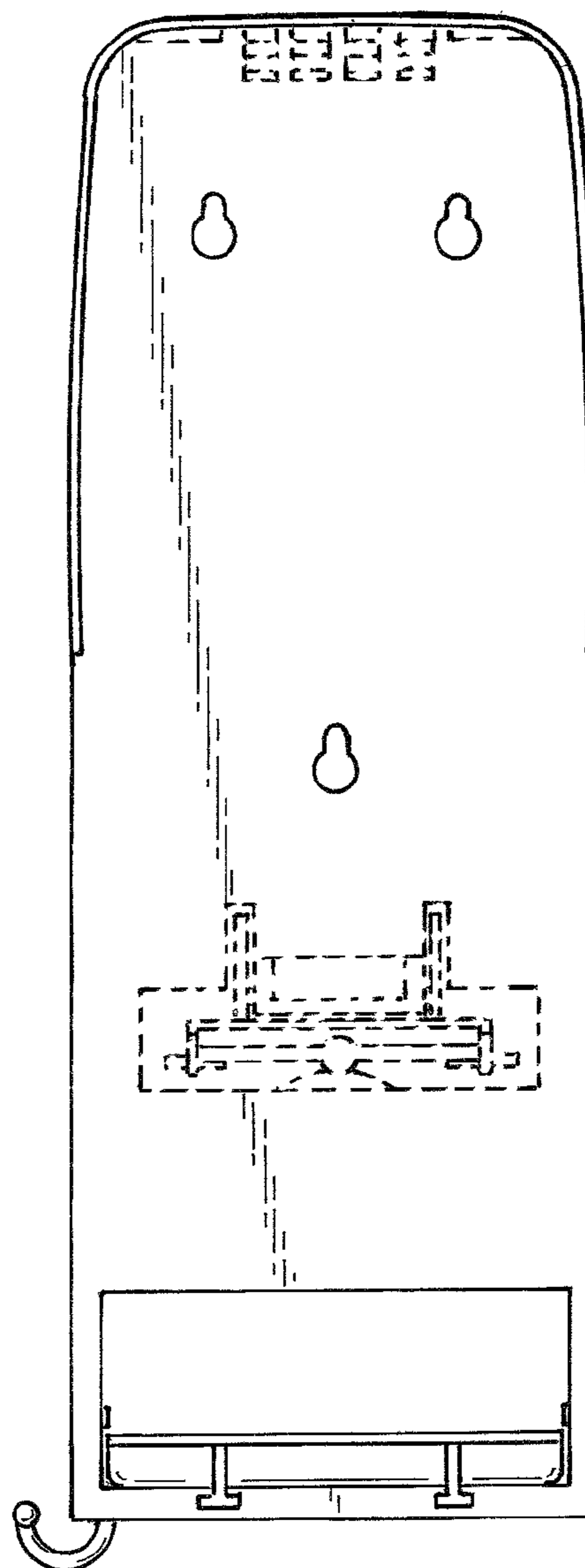


FIG. 2

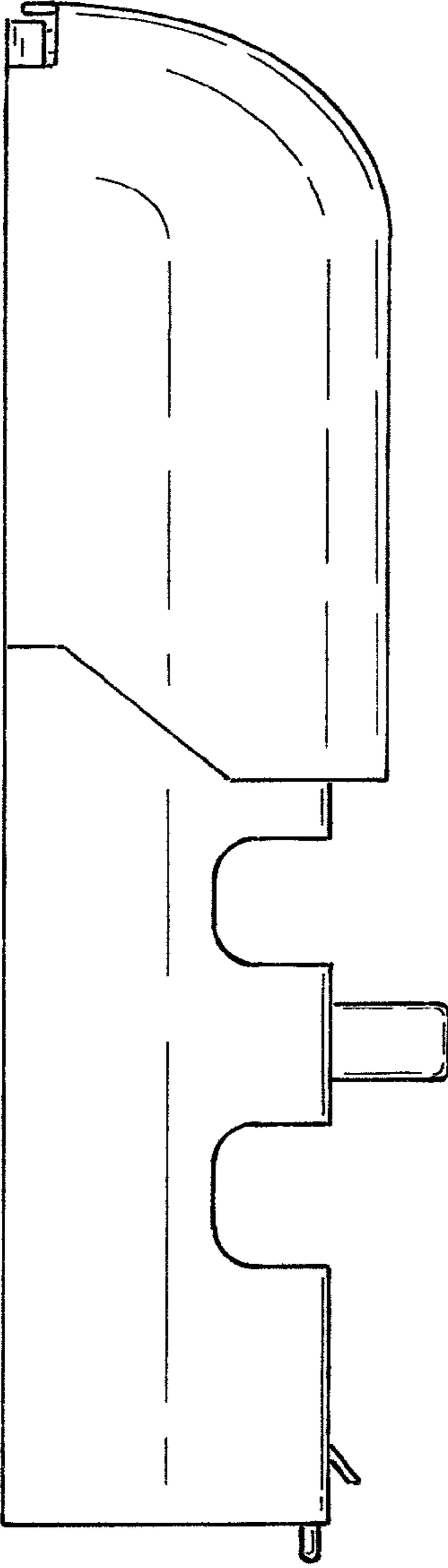


FIG. 3

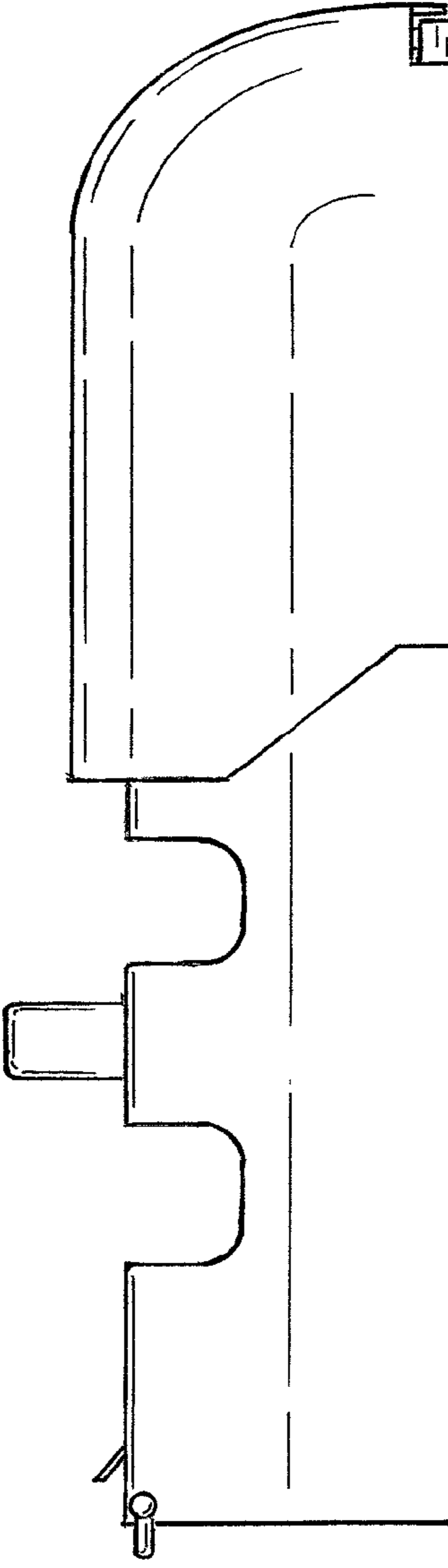


FIG. 4

FIG. 5

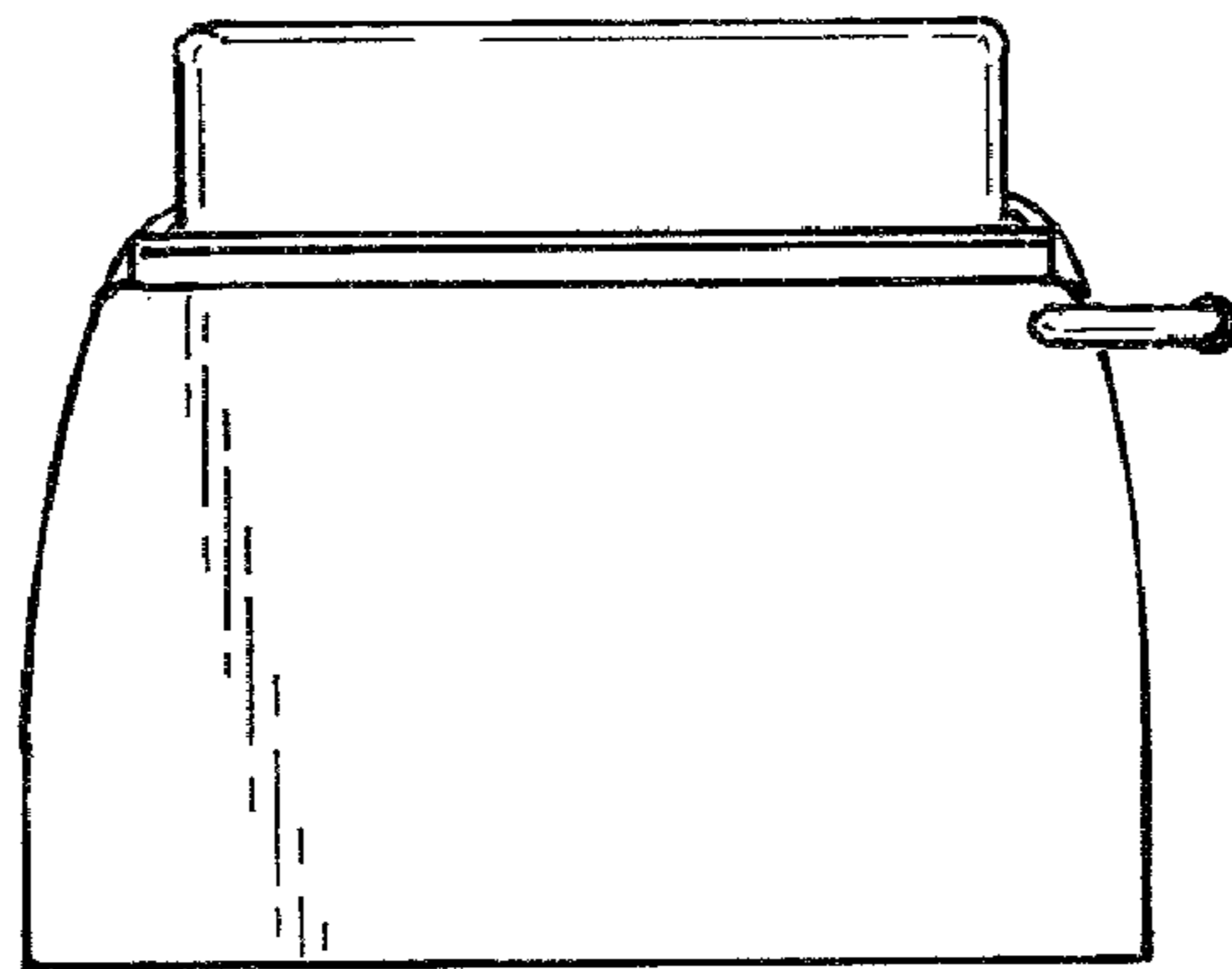
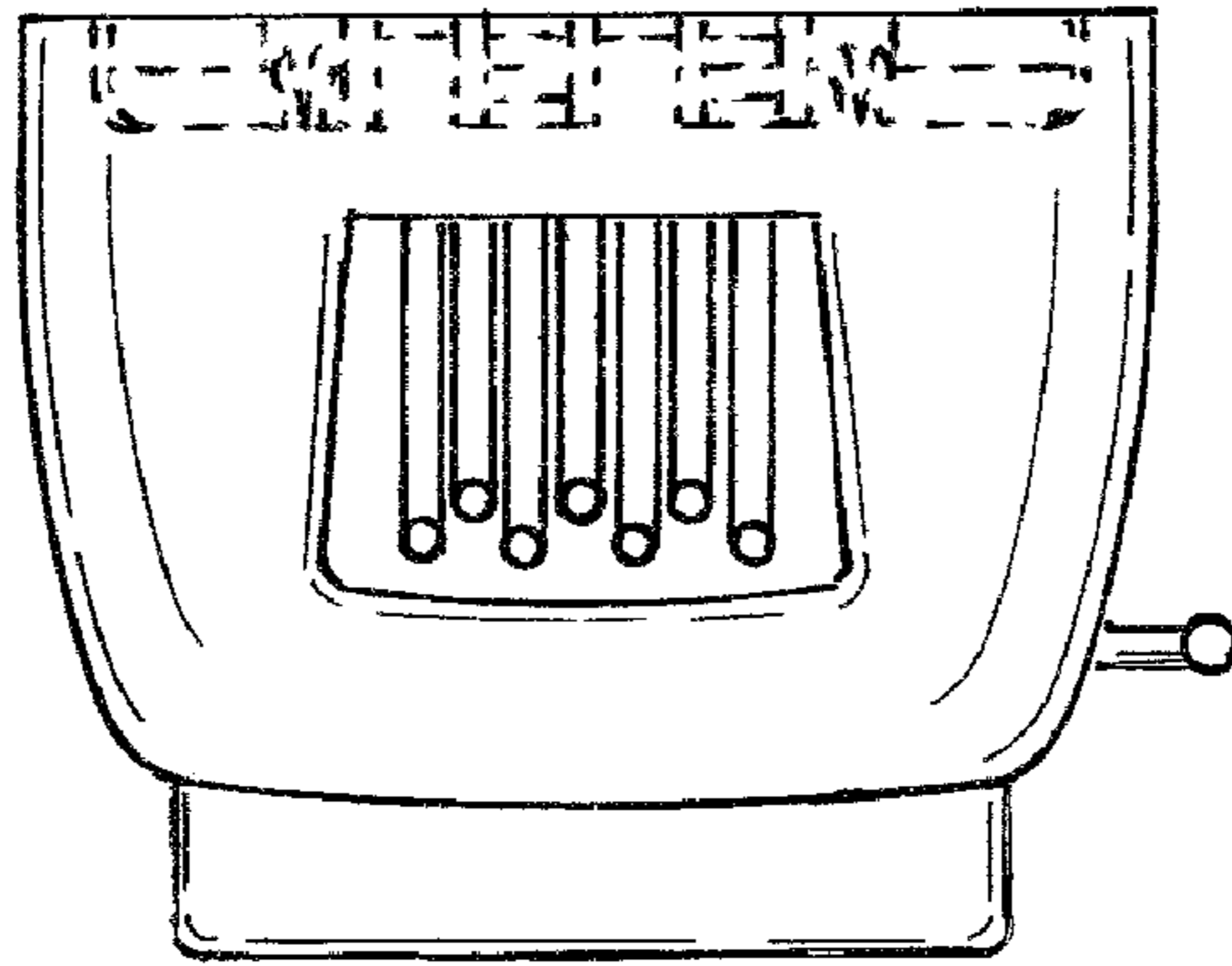


FIG. 6

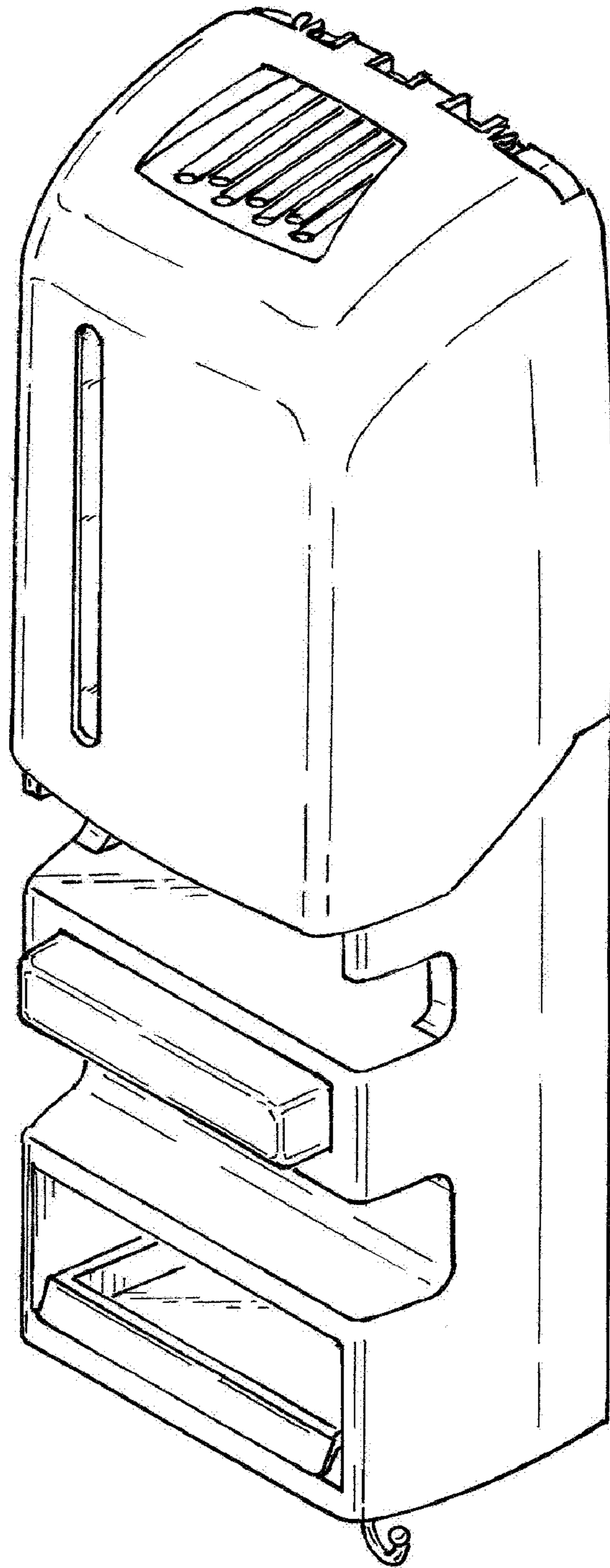


FIG. 7