

US00D668491S

(12) **United States Design Patent**  
**Mu et al.**

(10) **Patent No.:** **US D668,491 S**  
(45) **Date of Patent:** **\*\* Oct. 9, 2012**

(54) **SOAP HOLDER**

(76) Inventors: **Der Liang Mu**, Rancho Palos Verdes, CA (US); **Lisa Lynn Kim**, Rancho Palos Verdes, CA (US); **Elizabeth Yong Mu**, Rancho Palos Verdes, CA (US); **Natalie Enhwei Mu**, Rancho Palos Verdes, CA (US); **Rebecca Rongyi Mu**, Rancho Palos Verdes, CA (US)

(\*\*) Term: **14 Years**

(21) Appl. No.: **29/410,811**

(22) Filed: **Jan. 12, 2012**

(51) **LOC (9) Cl.** ..... **23-02**

(52) **U.S. Cl.** ..... **D6/532; D6/529; D6/531**

(58) **Field of Classification Search** ..... D6/536-540, D6/532, 529, 531; D7/502, 550, 554.2; D9/682, D9/690, 692; 206/77.1, 557, 587, 823; 211/13.1, 211/85.4, 85.12

See application file for complete search history.

(56) **References Cited**

U.S. PATENT DOCUMENTS

D152,461 S \* 1/1949 Elliott ..... D6/531  
D188,453 S \* 7/1960 Marcus ..... D6/532

D247,999 S \* 5/1978 Whatley ..... D6/536  
D257,458 S \* 10/1980 Benoit ..... D6/531  
D261,081 S \* 10/1981 Nagel ..... D6/536  
D279,640 S \* 7/1985 Walbeck ..... D6/536  
D349,206 S \* 8/1994 Fischer et al. .... D6/536  
D468,144 S 1/2003 Shayo  
D646,099 S 10/2011 Mu et al.

\* cited by examiner

*Primary Examiner* — Brian N Vinson

(74) *Attorney, Agent, or Firm* — IPLA P.A.; James E. Bame

(57) **CLAIM**

The ornamental design for a soap holder, as shown and described.

**DESCRIPTION**

FIG. 1 is a perspective view of our new design;  
FIG. 2 is a front elevational view thereof;  
FIG. 3 is a side elevational view thereof, the other side being a mirror image; and,  
FIG. 4 is a top plan view thereof.  
The broken line showing illustrates environment only and forms no part of the claimed design.

**1 Claim, 3 Drawing Sheets**

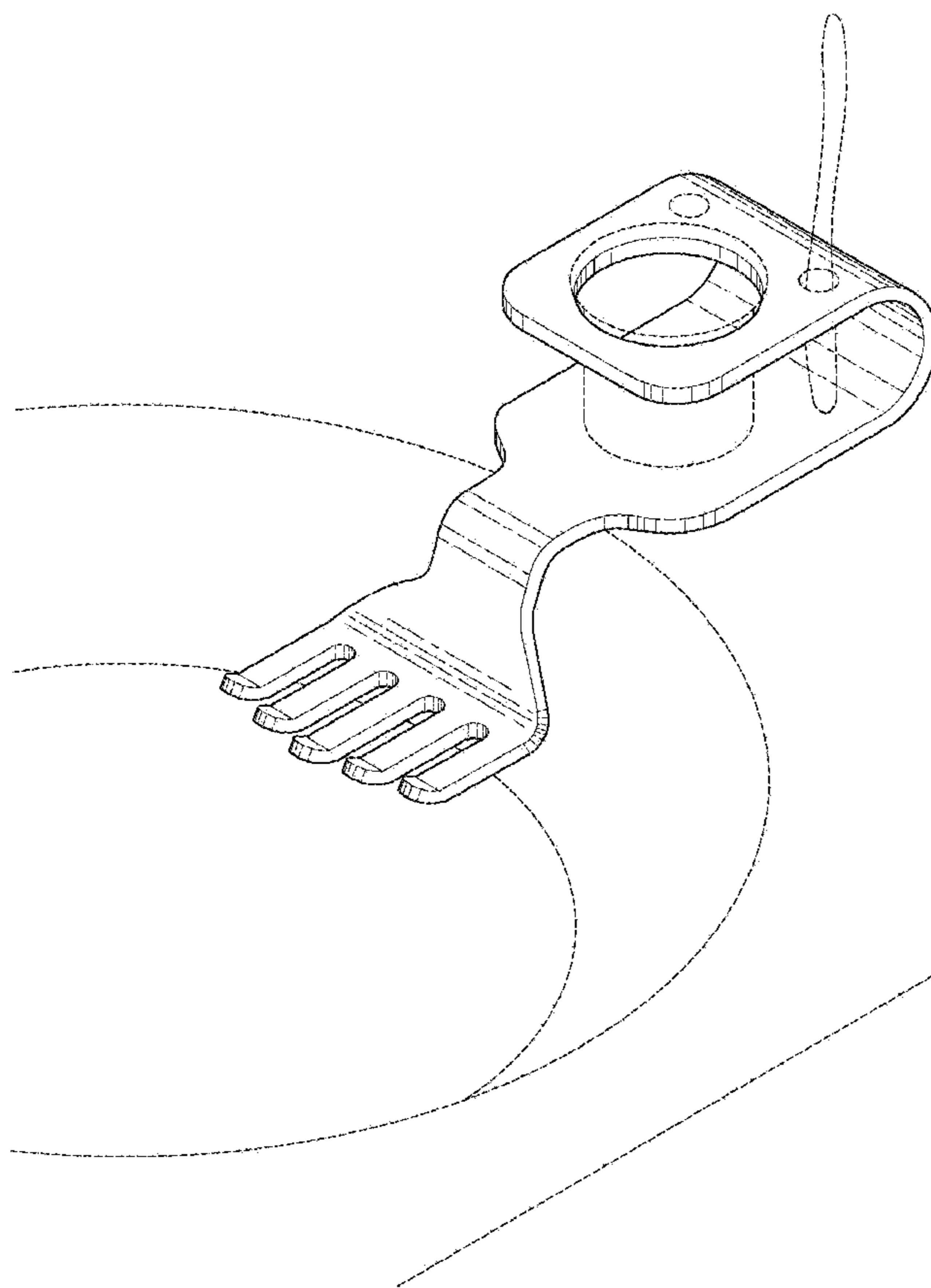


FIG. 1

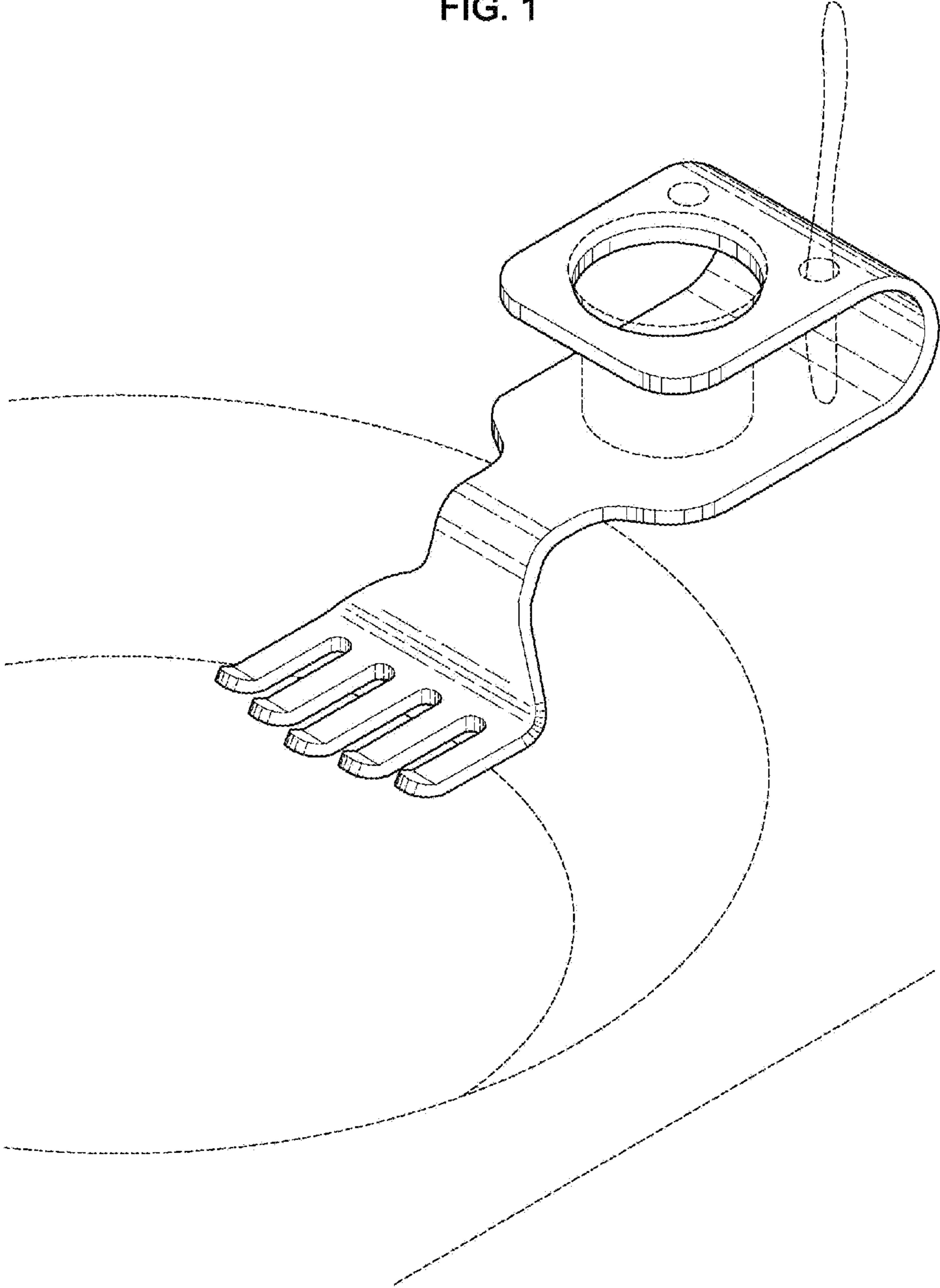


FIG. 2

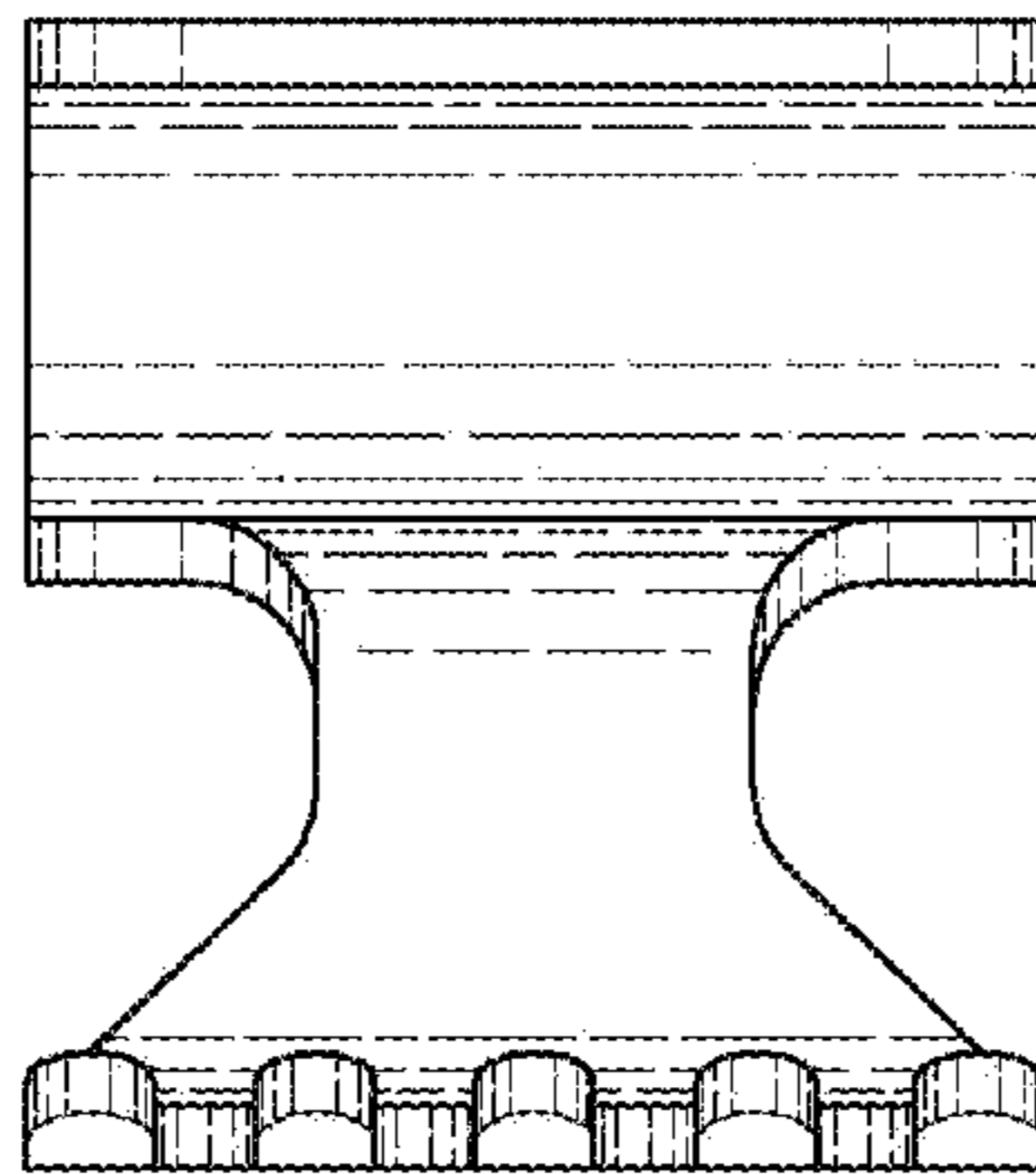


FIG. 3

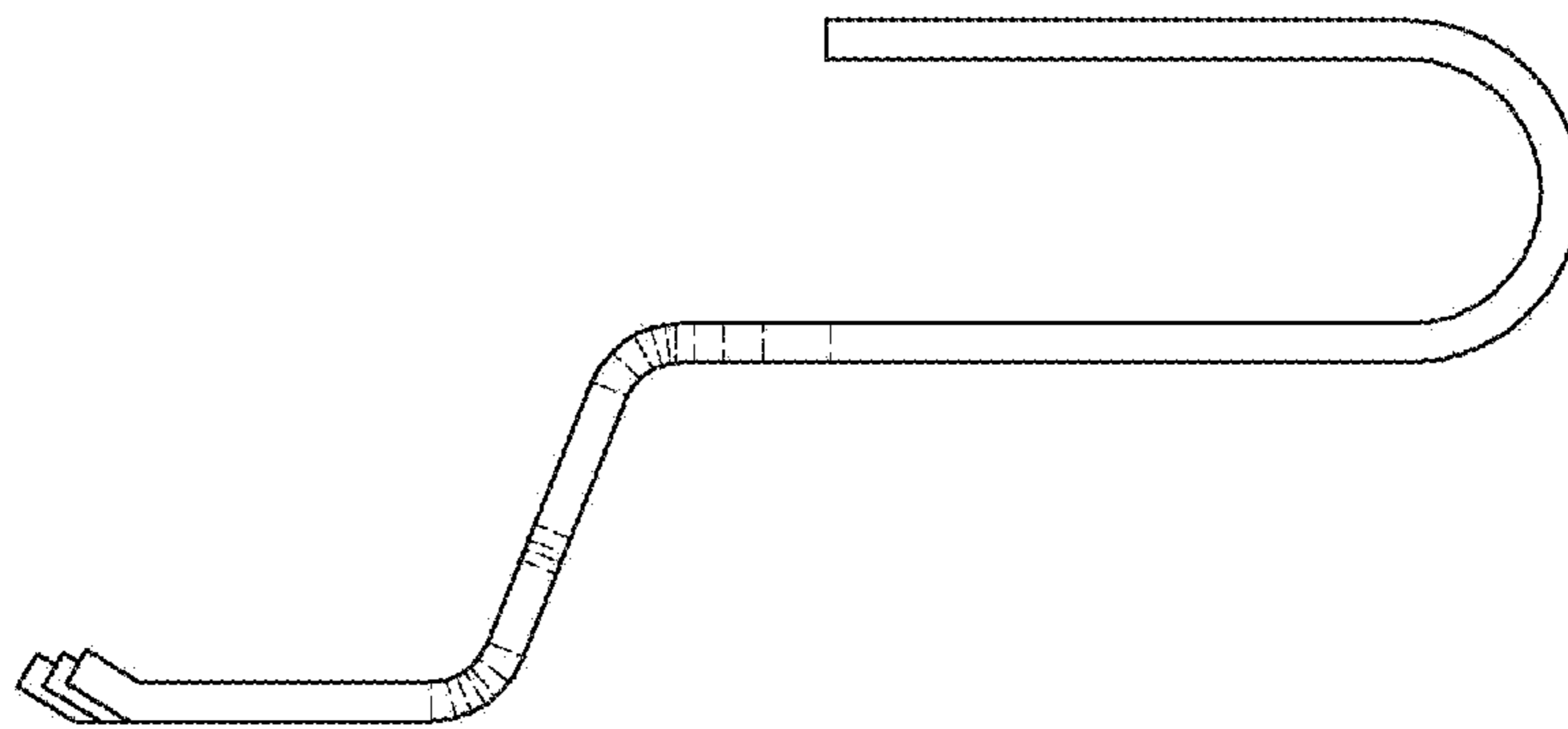


FIG. 4

