



US00D668490S

(12) **United States Design Patent**
Yoo

(10) **Patent No.:** **US D668,490 S**

(45) **Date of Patent:** **** Oct. 9, 2012**

(54) **BATH ACCESSORY POST**

(75) Inventor: **Man Ki Yoo**, Skokie, IL (US)

(73) Assignee: **Liberty Hardware Mfg. Corp.**,
Winston-Salem, NC (US)

(**) Term: **14 Years**

(21) Appl. No.: **29/414,928**

(22) Filed: **Mar. 6, 2012**

(51) **LOC (9) Cl.** **23-02**

(52) **U.S. Cl.** **D6/524**

(58) **Field of Classification Search** D6/518-524,
D6/546-550; D8/300, 370, 315; 108/28-29;
211/13.1, 16, 85.5, 86.01, 87.01, 88.04, 100,
211/105.1, 105.2, 106, 113, 123, 181.1, 182-183;
248/49, 175, 176.1, 200, 201, 205.1, 251,
248/302, 309.1, 315; 242/570, 590, 595-598
See application file for complete search history.

(56) **References Cited**

U.S. PATENT DOCUMENTS

D163,444 S * 5/1951 Crook D6/550
D416,419 S * 11/1999 Chen D6/550

D451,324 S * 12/2001 Lai D6/524
D477,946 S * 8/2003 Ouano D6/524
D498,099 S * 11/2004 Chen D6/524
D557,049 S * 12/2007 Sedwick et al. D6/524
D573,823 S * 7/2008 Ko D6/524

* cited by examiner

Primary Examiner — Brian N Vinson

(74) *Attorney, Agent, or Firm* — Lora J. Graentzdoerffer;
Nirav D. Parikh; Edgar A. Zarins

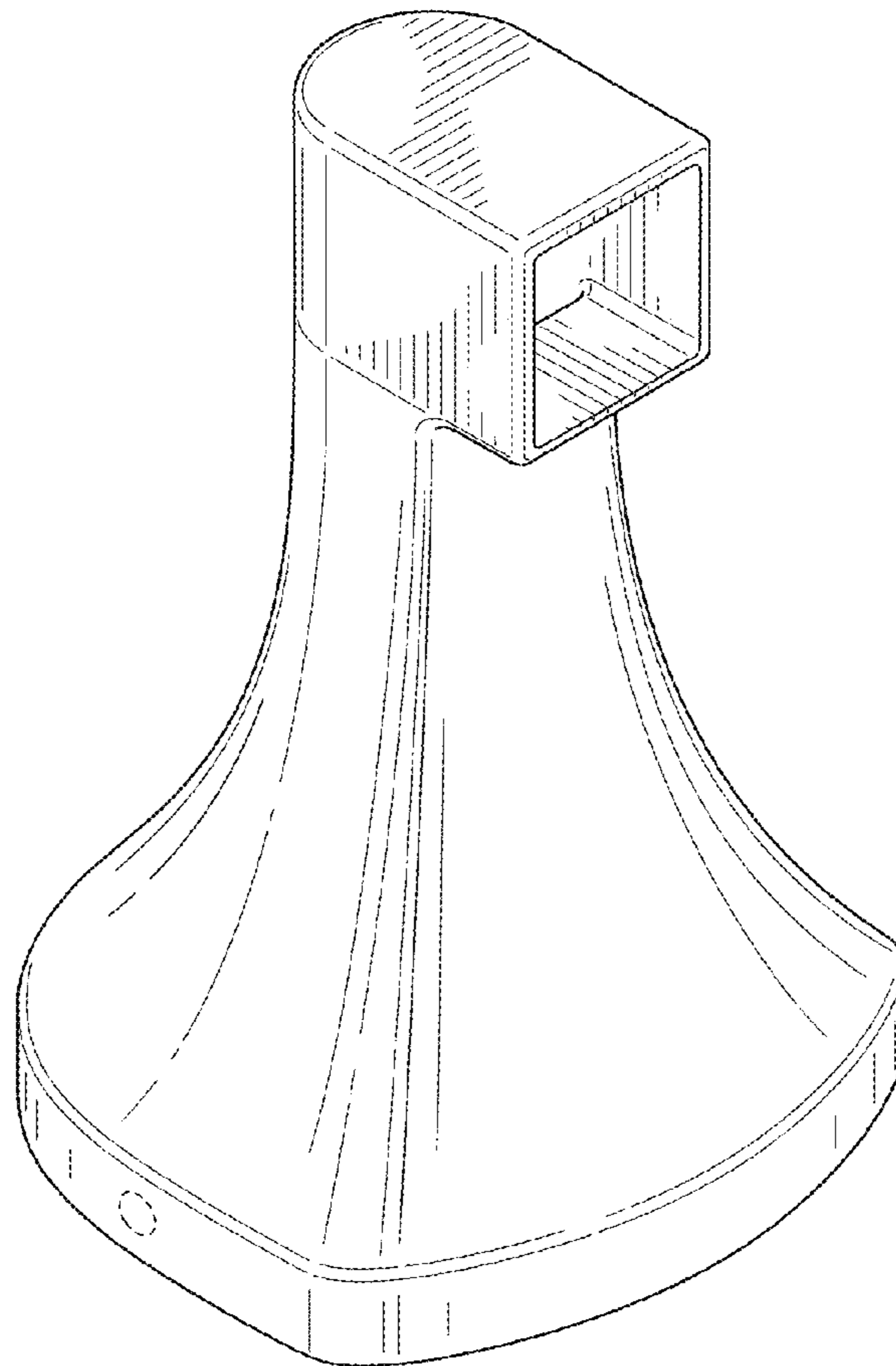
(57) **CLAIM**

The ornamental design for a bath accessory post, as shown and described.

DESCRIPTION

FIG. 1 is a perspective view thereof;
FIG. 2 is a front elevational view thereof;
FIG. 3 is a left side elevational view thereof;
FIG. 4 is a right side elevational view thereof;
FIG. 5 is a rear elevational view thereof;
FIG. 6 is a top plan view thereof; and,
FIG. 7 is a bottom plan view thereof.
The broken-line disclosure in the views represents portions of the article in which the claimed design is embodied, but which form no part of the claimed design.

1 Claim, 6 Drawing Sheets



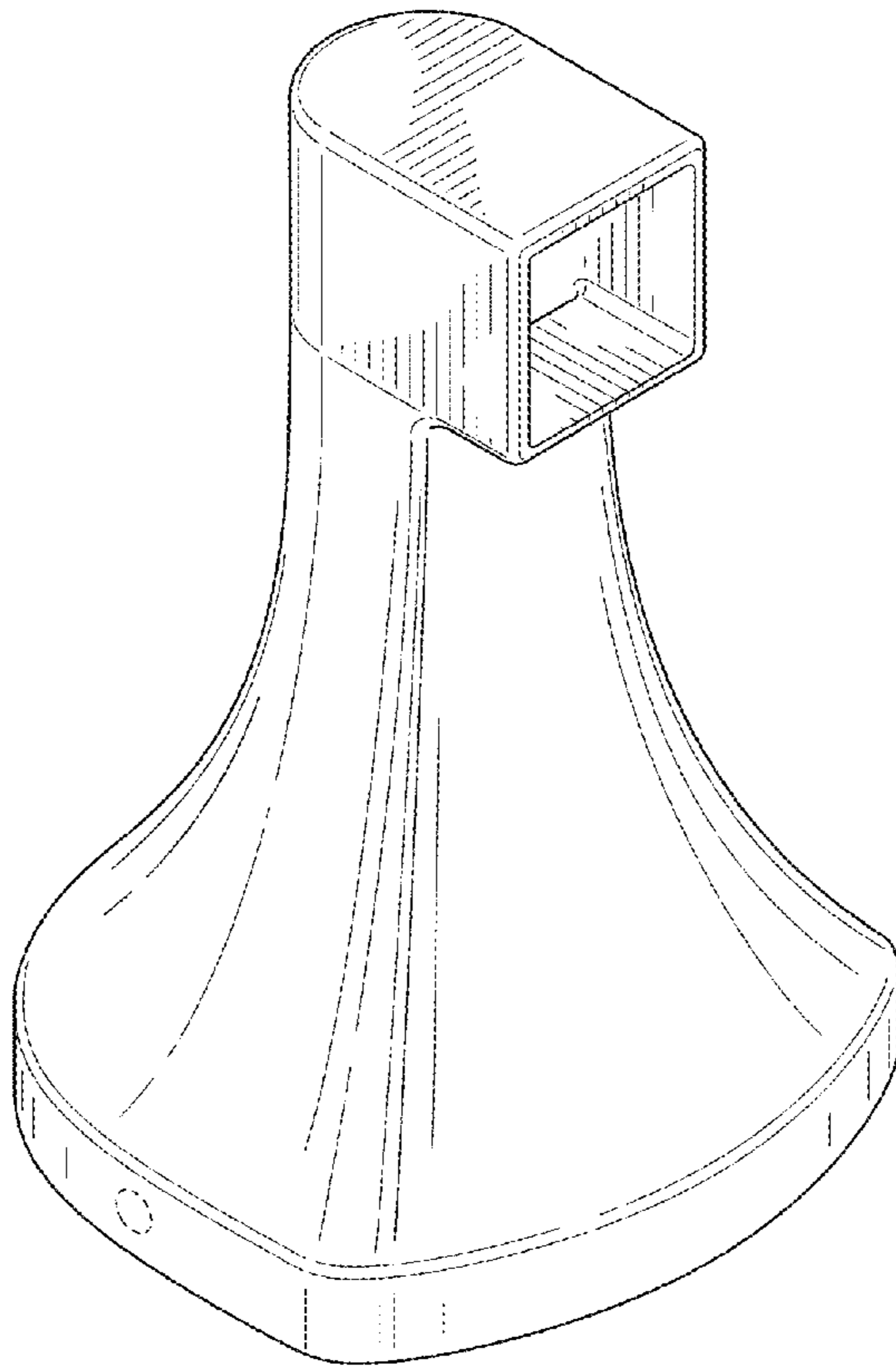


FIG. 1

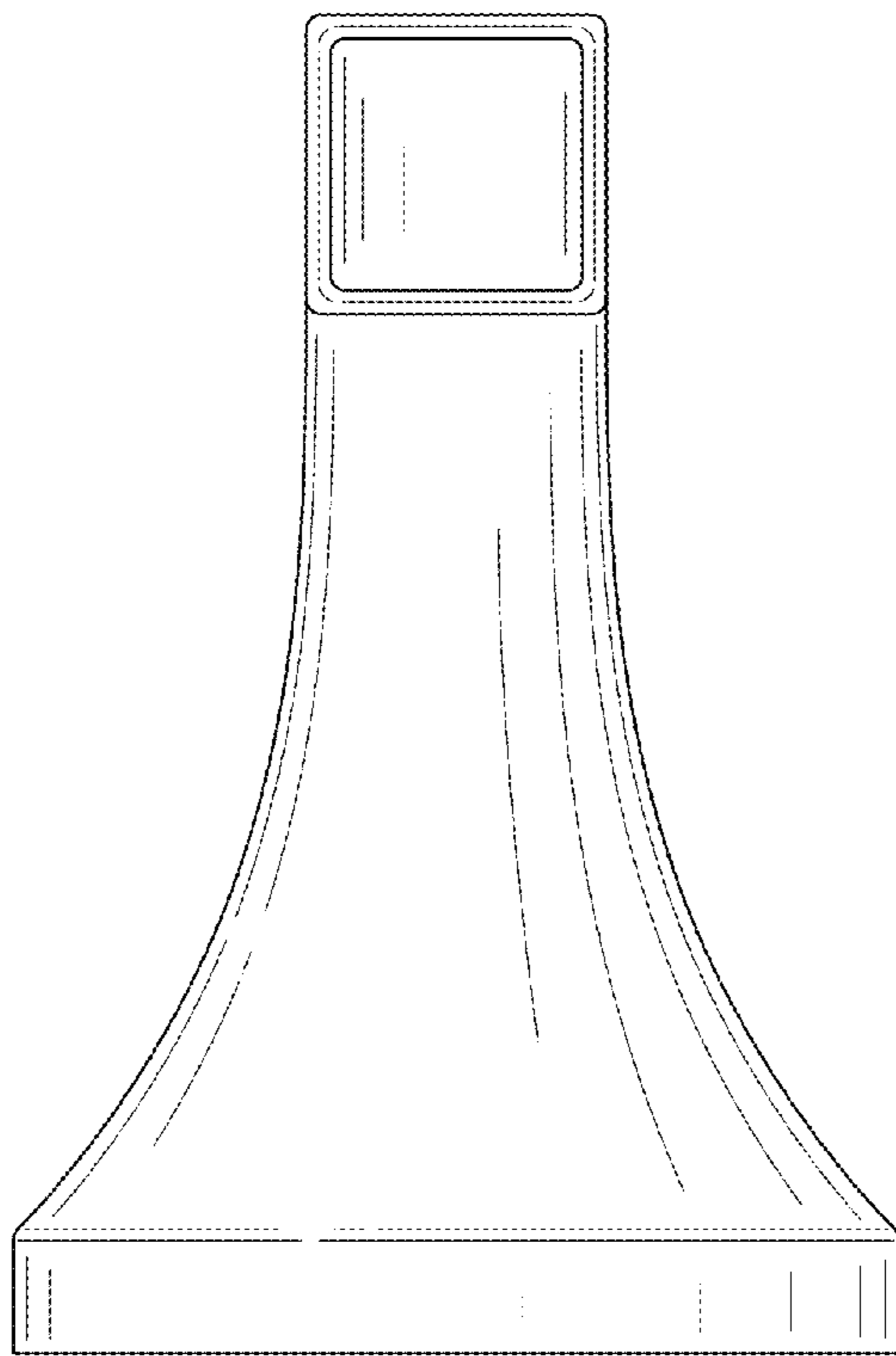


FIG. 2

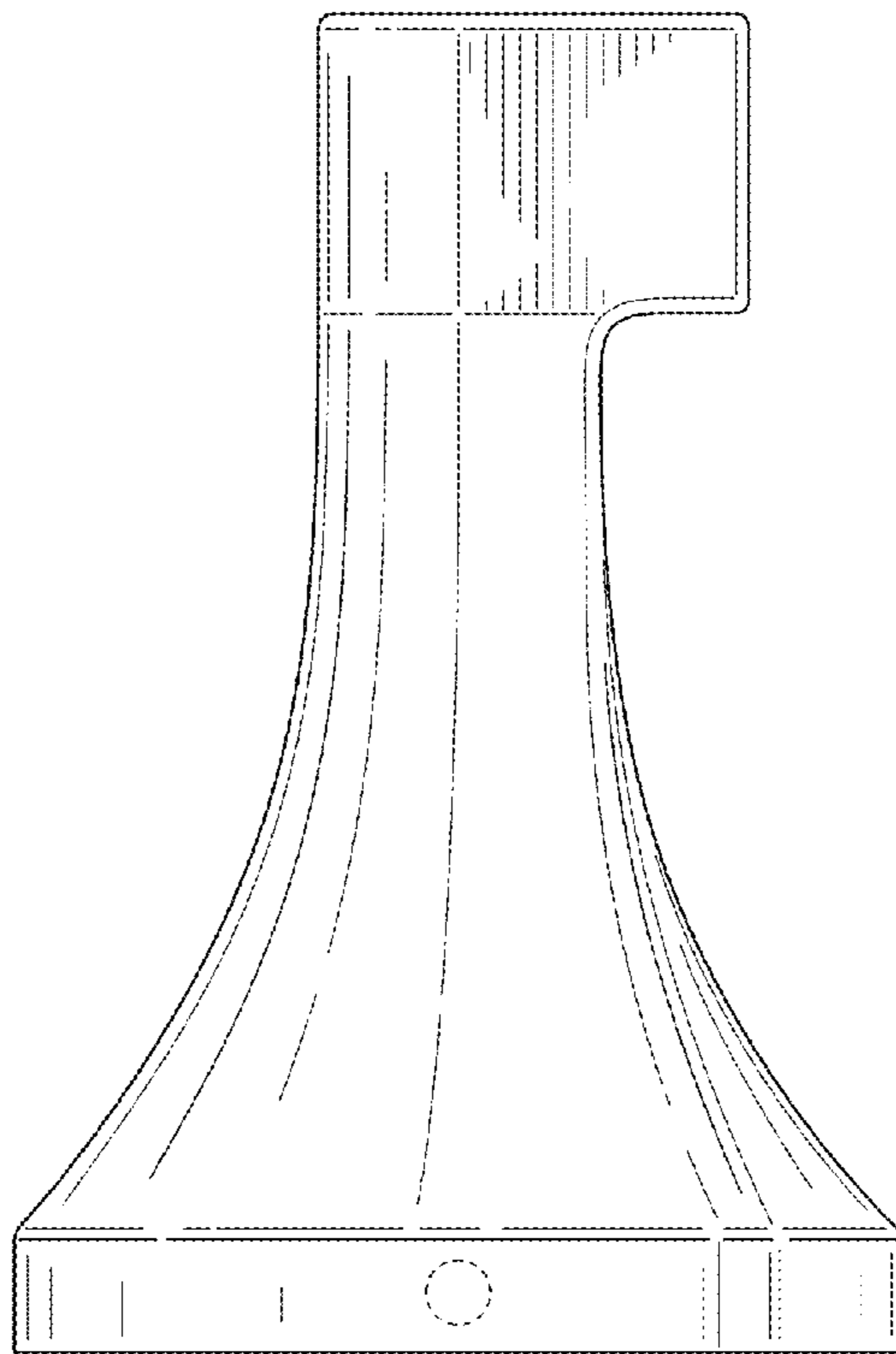


FIG. 3

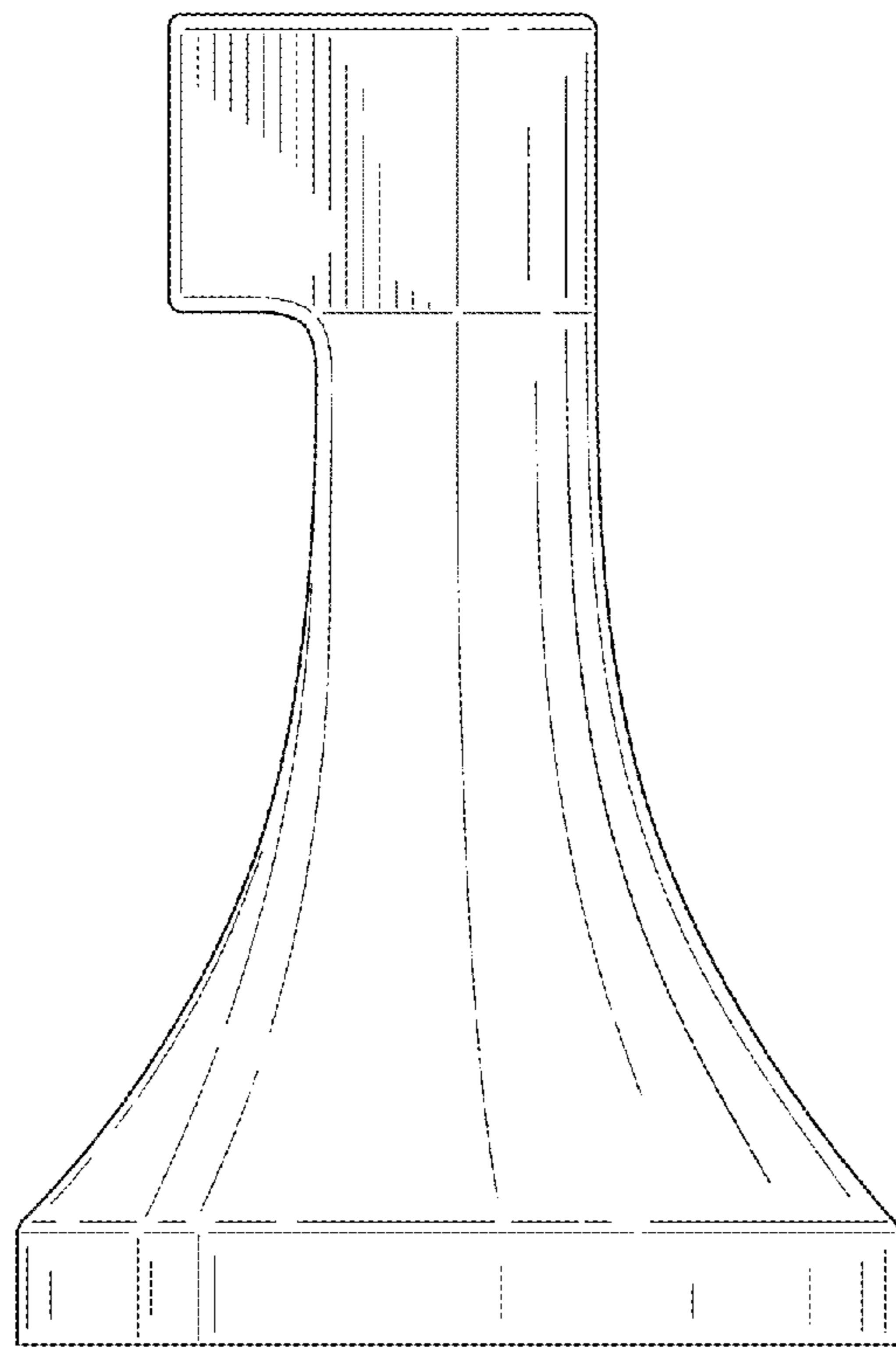


FIG. 4

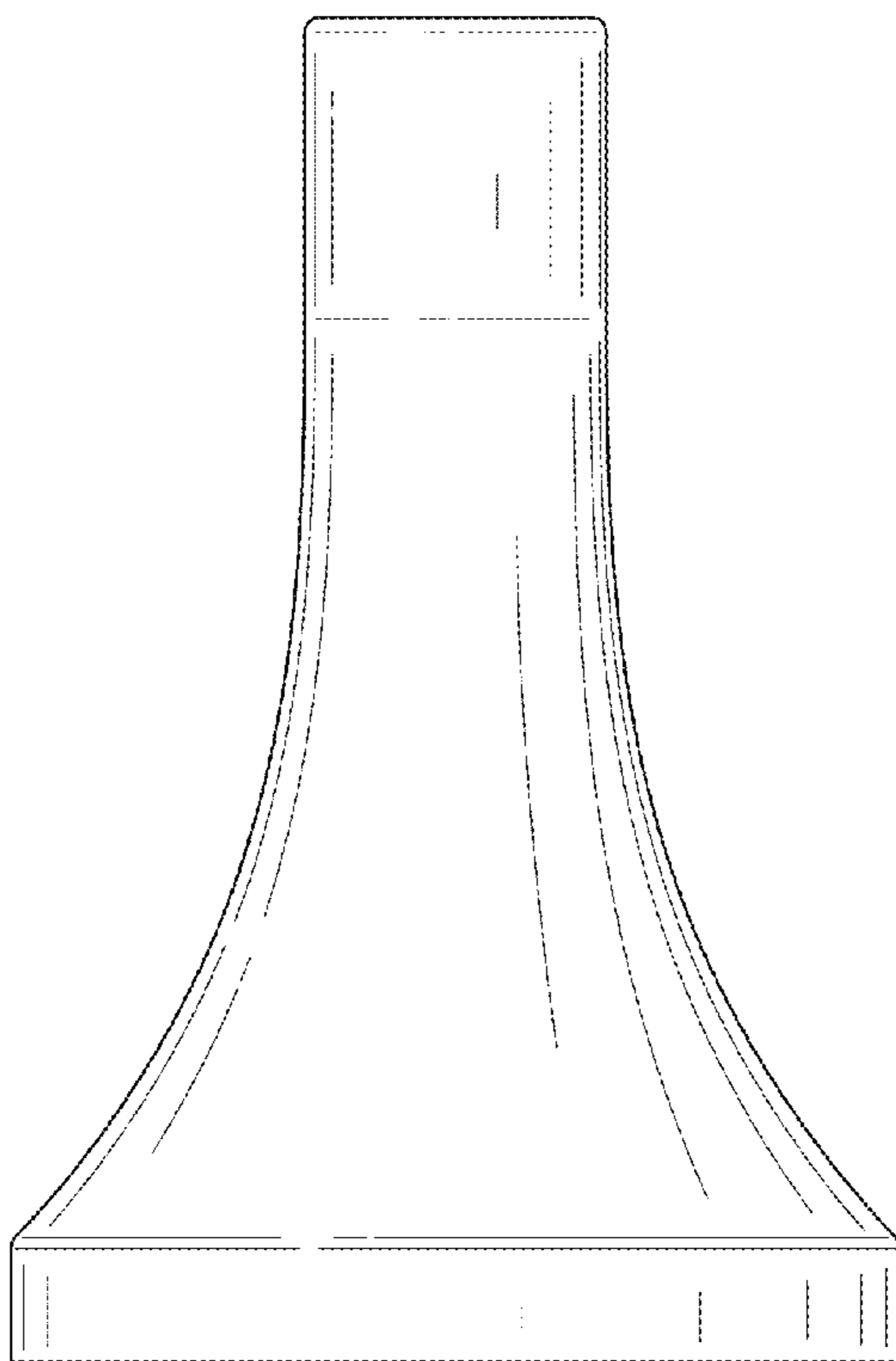


FIG. 5

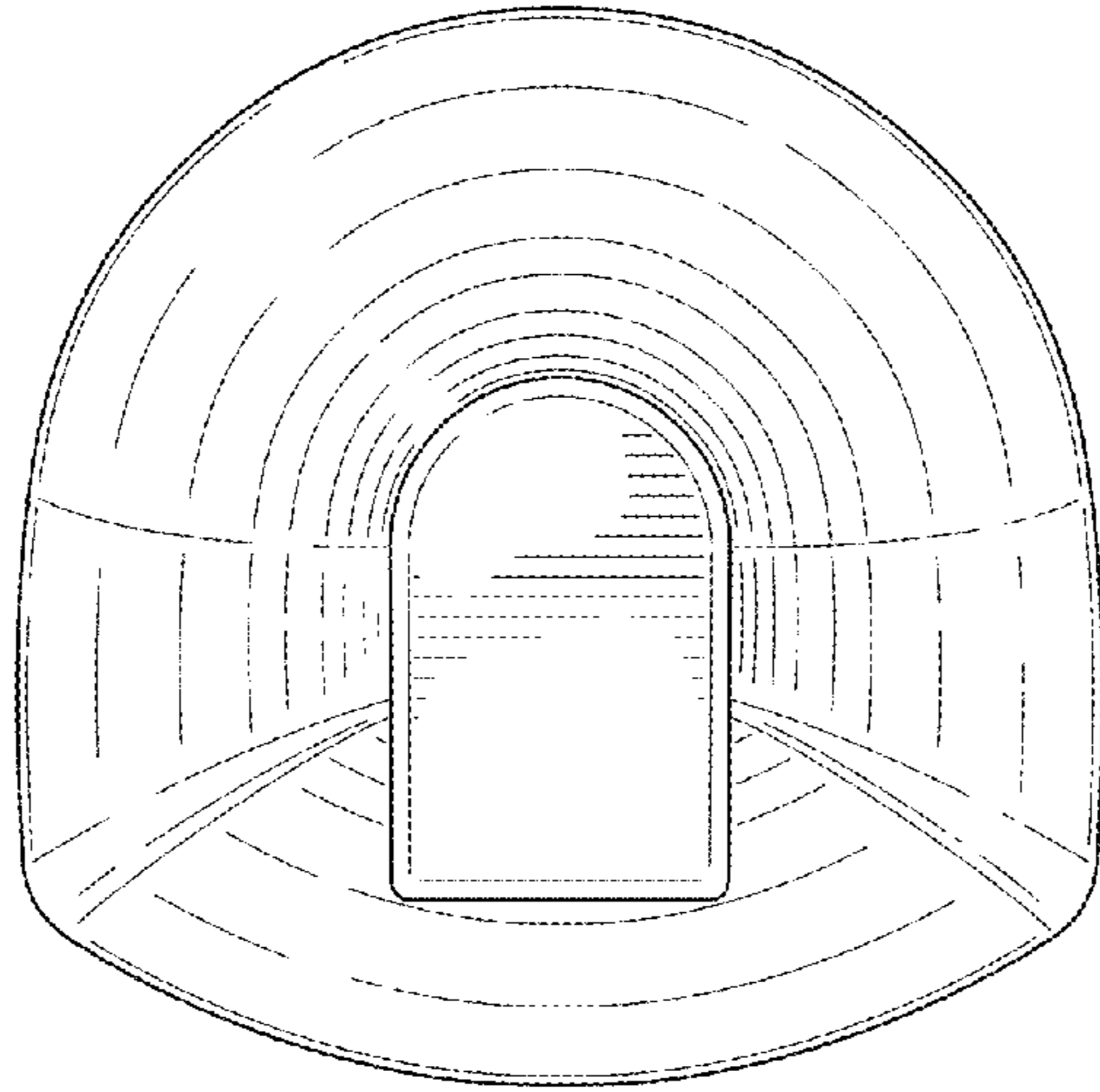


FIG. 6

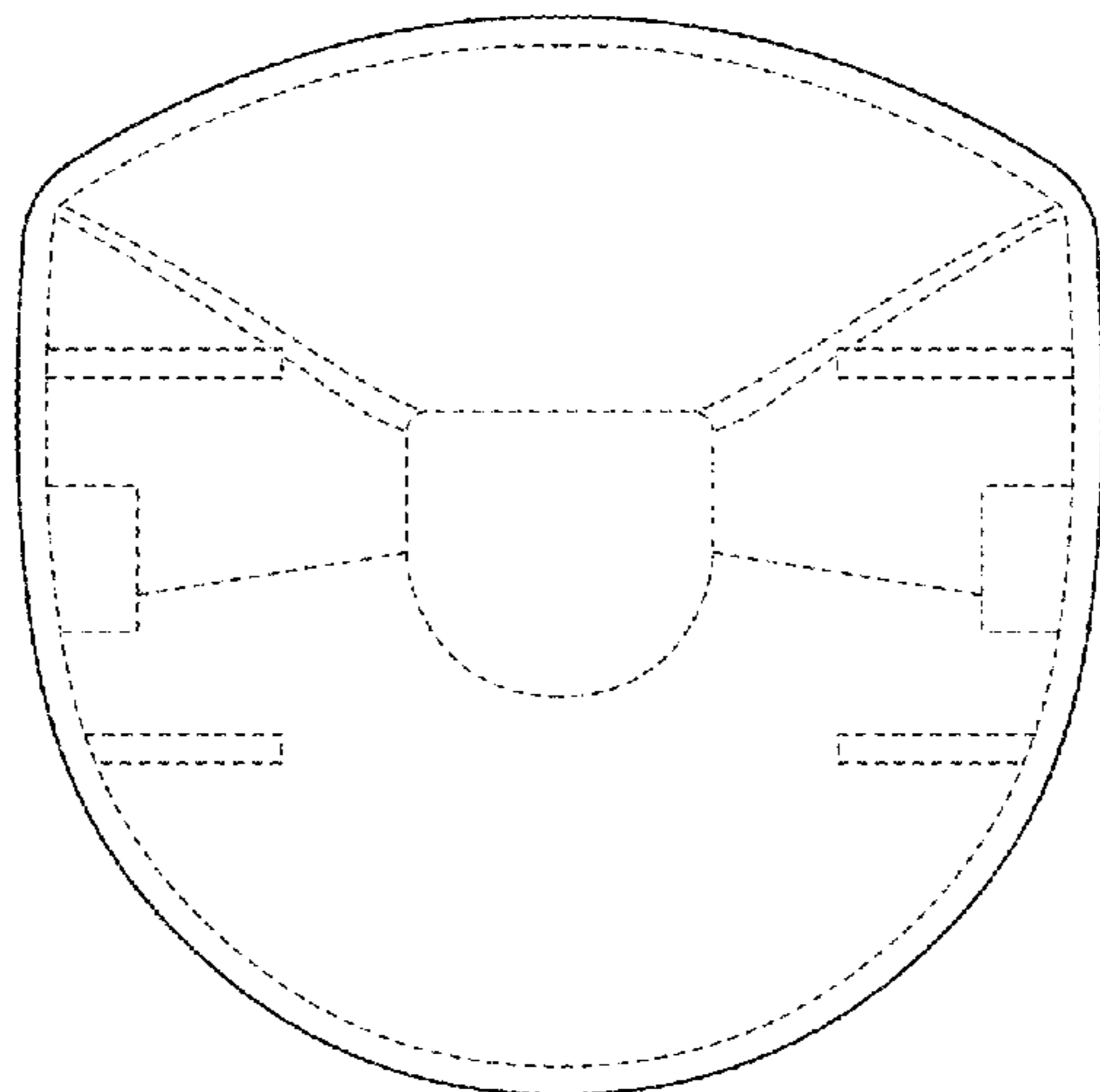


FIG. 7