



US00D668485S

(12) **United States Design Patent**  
**Velazquez et al.**

(10) **Patent No.:** **US D668,485 S**

(45) **Date of Patent:** **\*\* Oct. 9, 2012**

(54) **ROLLED TISSUE DISPENSER**

D654,740 S \* 2/2012 Cheng et al. .... D6/520  
D656,348 S 3/2012 Velazquez et al.  
D656,766 S 4/2012 Velazquez et al.

(75) Inventors: **Herb F. Velazquez**, Alpharetta, GA  
(US); **Paul F. Tramontina**, Harleysville,  
PA (US); **Roberto Zambenedetti**,  
Sparta, NJ (US); **Mohamed Abdelhafez**,  
Old Bridge, NJ (US); **Donald Kralik**,  
Pittstown, NJ (US)

(73) Assignee: **Kimberly-Clark Worldwide, Inc.**,  
Neenah, WI (US)

(\*\*) Term: **14 Years**

(21) Appl. No.: **29/418,126**

(22) Filed: **Apr. 12, 2012**

(51) **LOC (9) Cl.** ..... **23-02**

(52) **U.S. Cl.** ..... **D6/523**

(58) **Field of Classification Search** ..... D6/542-545,  
D6/553, 567, 574, 515-525; 206/77.1; 211/13.1,  
211/86.01, 87.01; 221/14, 92, 649, 146.1,  
221/146.2, 105; 222/281-282; D23/225;  
D8/349, 354, 363, 373, 394; D24/155  
See application file for complete search history.

(56) **References Cited**

**U.S. PATENT DOCUMENTS**

6,202,956 B1 \* 3/2001 Grasso et al. .... D6/523  
D615,332 S \* 5/2010 Meyerhoffer ..... D6/523

**OTHER PUBLICATIONS**

Co-pending U.S. Appl. No. 29/418,122, filed Apr. 12, 2012, by  
Velazquez et al. for "Folded Towel Dispenser."

Co-pending U.S. Appl. No. 29/418,131, filed Apr. 12, 2012, by  
Velazquez et al. for "Fluid Dispenser."

Co-pending U.S. Appl. No. 29/403,025, filed Sep. 30, 2011, by  
Velazquez et al. for "Rolled Towel Dispenser."

\* cited by examiner

*Primary Examiner* — Brian N Vinson

(74) *Attorney, Agent, or Firm* — Nancy M. Klembus

(57) **CLAIM**

We claim the ornamental design for a rolled tissue dispenser,  
as shown and described.

**DESCRIPTION**

FIG. 1 is a perspective view of a rolled tissue dispenser  
showing our new design;

FIG. 2 is a front view thereof;

FIG. 3 is a right side view of thereof;

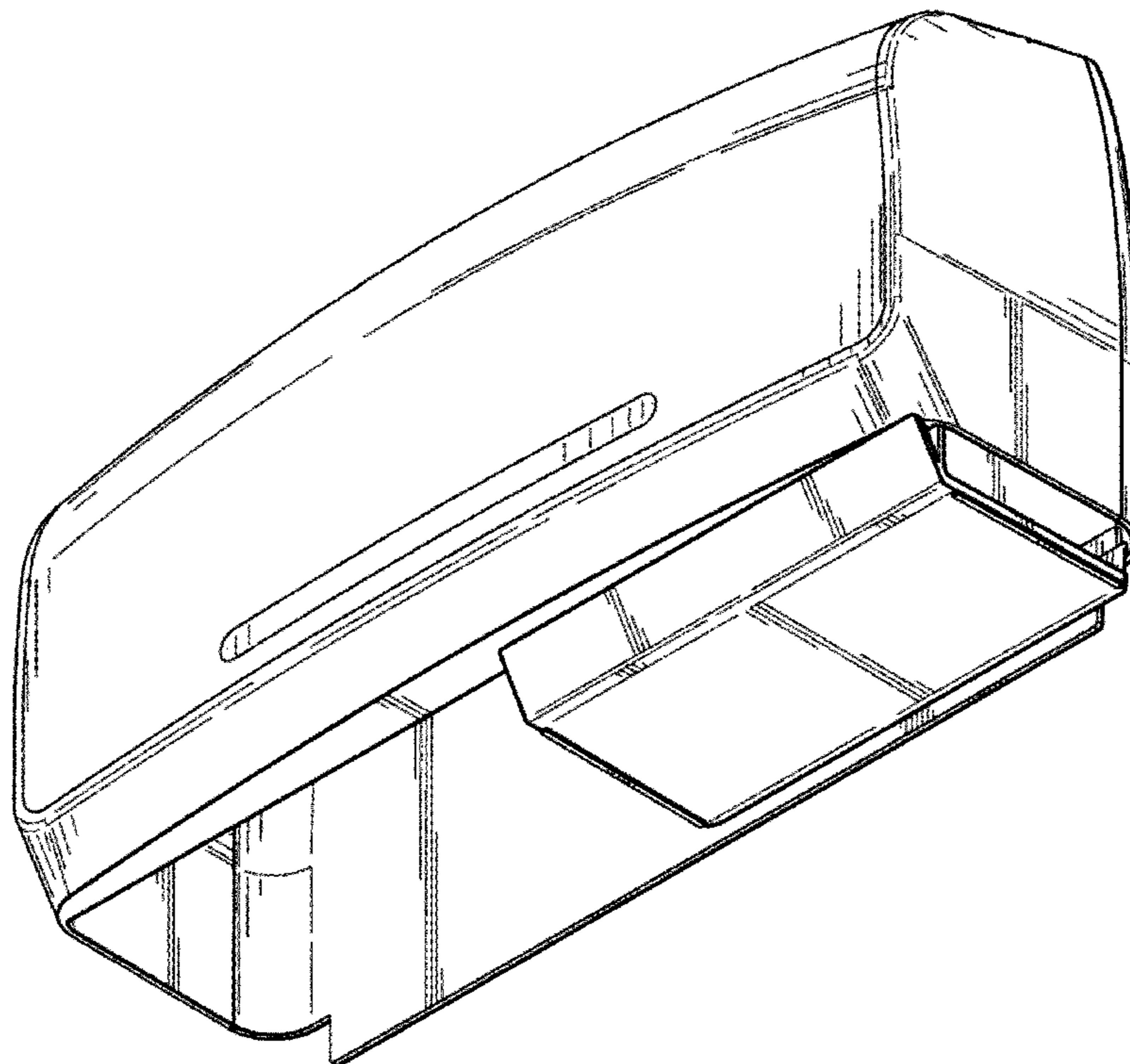
FIG. 4 is a back view thereof;

FIG. 5 is a top view thereof; and,

FIG. 6 is a bottom view thereof.

In the drawings, the broken lines shown in FIGS. 1-6 depict  
portions of the design that form no part of the claim.

**1 Claim, 5 Drawing Sheets**



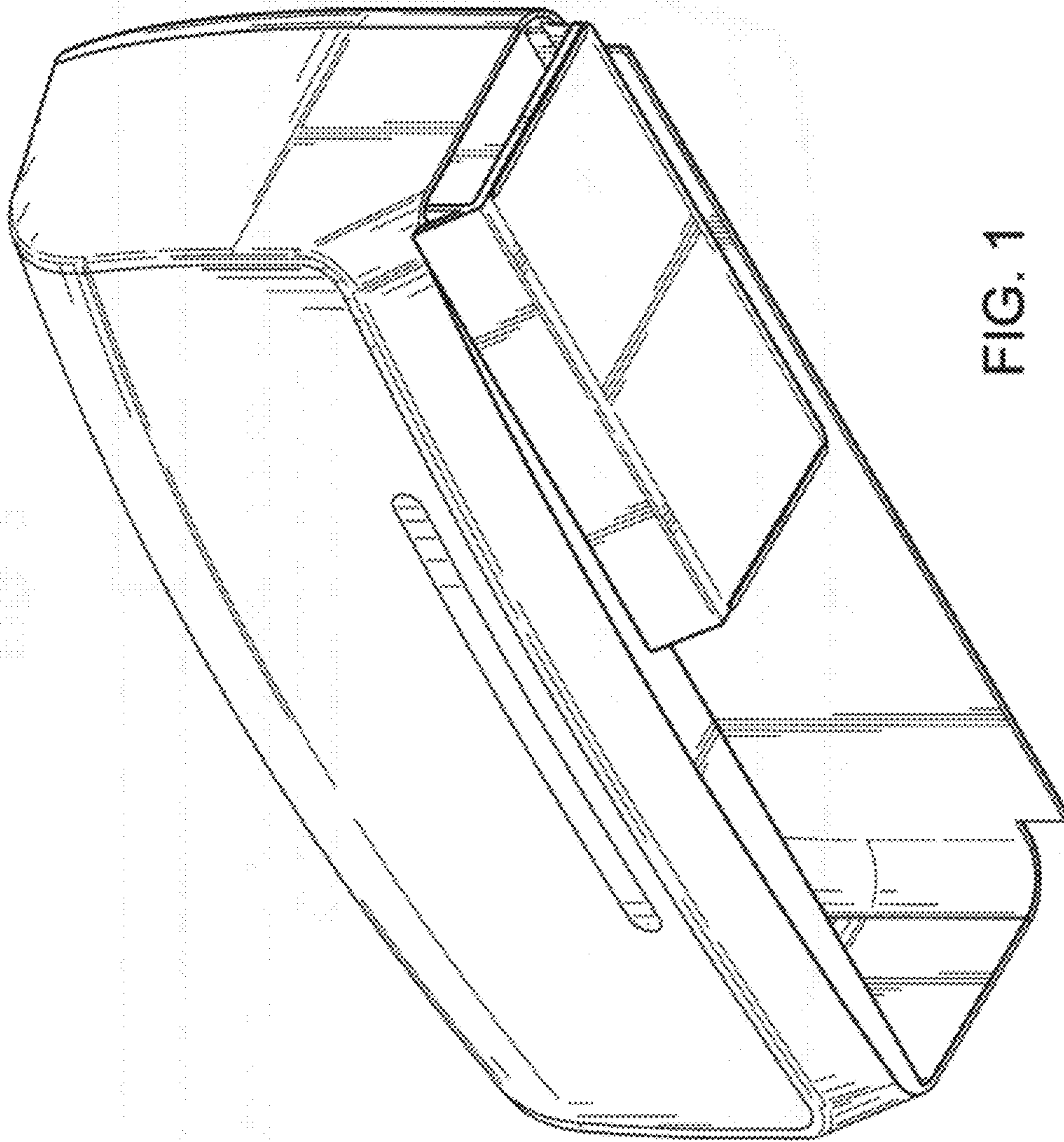


FIG. 1

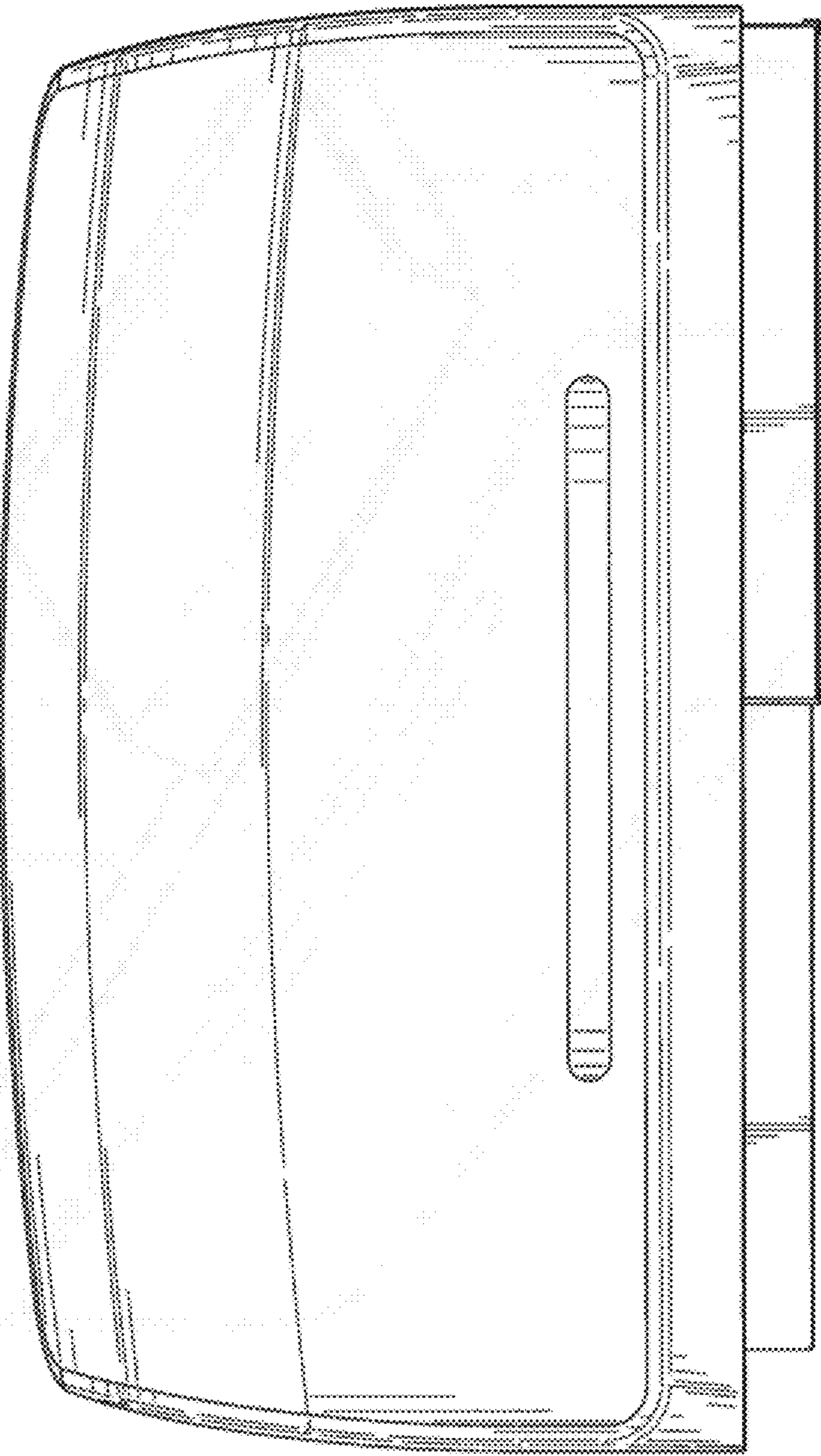


FIG. 2

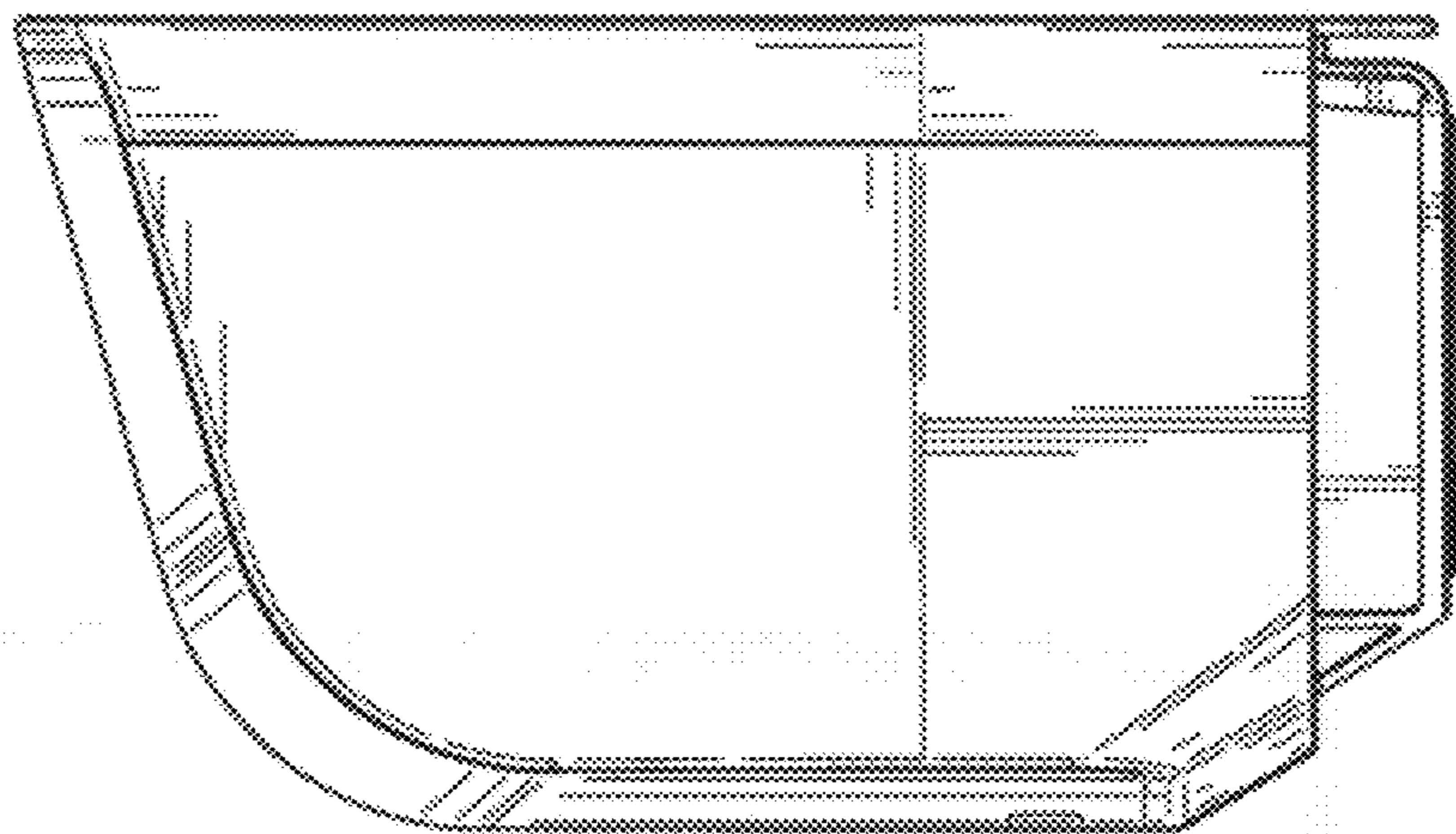


FIG. 3

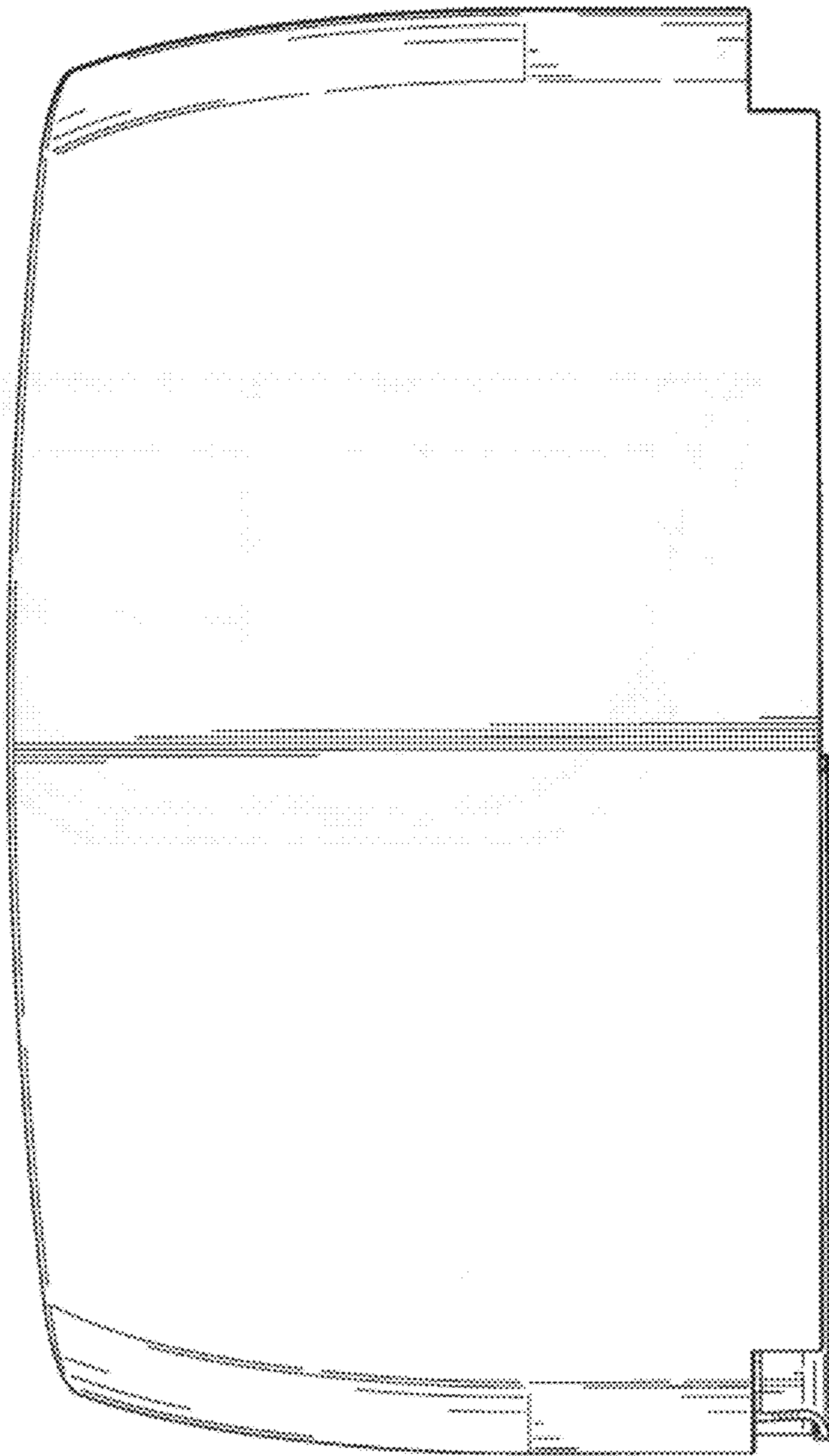


FIG. 4

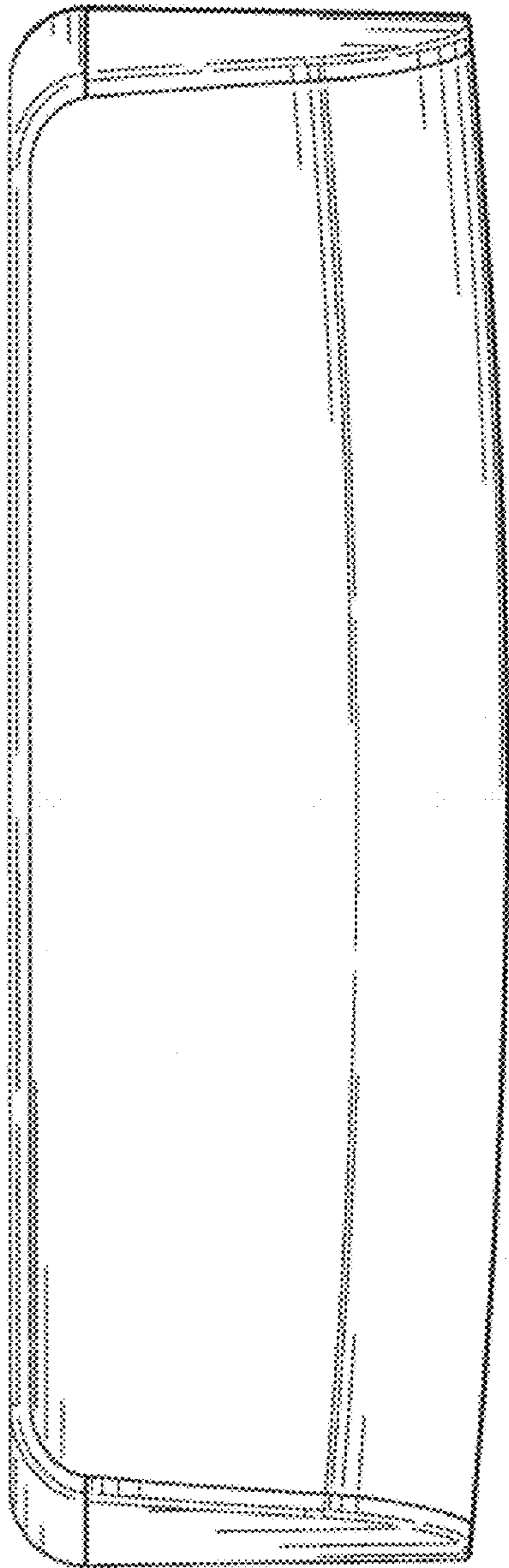


FIG. 5

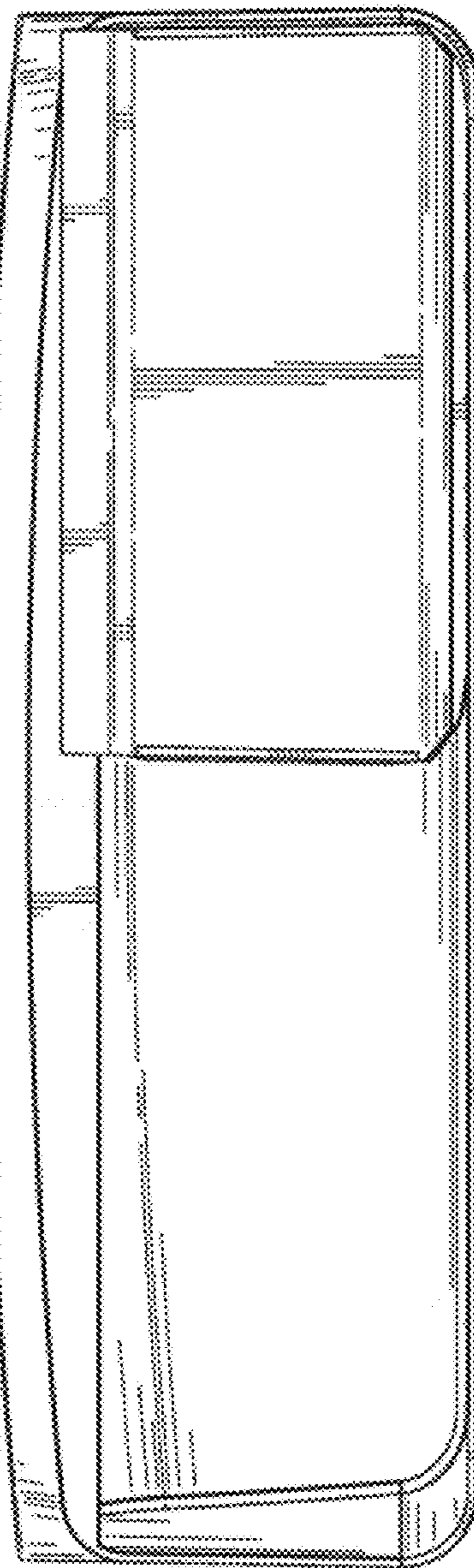


FIG. 6