



US00D668481S

(12) **United States Design Patent**  
**Hsuan-Chin**

(10) **Patent No.:** **US D668,481 S**

(45) **Date of Patent:** **\*\* Oct. 9, 2012**

(54) **CHAIR BACK FRAME**

(75) Inventor: **Tsai Hsuan-Chin**, Chai-Yi Hsien (TW)

(73) Assignees: **Fuh Shyan Co., Ltd.**, Chai-Yi Hsien (TW); **Ming-Tang Chuang**, Taipei (TW)

(\*\*) Term: **14 Years**

(21) Appl. No.: **29/397,280**

(22) Filed: **Jul. 14, 2011**

(51) **LOC (9) Cl.** ..... **06-01**

(52) **U.S. Cl.** ..... **D6/502**

(58) **Field of Classification Search** ..... D6/334-336,  
D6/364, 365, 366, 367, 369, 374, 379, 380,  
D6/500-502; 297/284.4, 300.2, 452.13,  
297/452.18, 452.29, 452.3, 452.56, 452.64  
See application file for complete search history.

(56) **References Cited**

U.S. PATENT DOCUMENTS

D576,416 S \* 9/2008 Su ..... D6/366  
D580,199 S \* 11/2008 Su ..... D6/502  
D585,205 S \* 1/2009 Wen ..... D6/366

D596,884 S \* 7/2009 Wen ..... D6/502  
D645,683 S \* 9/2011 Chen ..... D6/502  
D648,947 S \* 11/2011 Ong ..... D6/366  
D648,966 S \* 11/2011 Ong ..... D6/502

\* cited by examiner

*Primary Examiner* — Mimoso De

(74) *Attorney, Agent, or Firm* — Alan Kamrath; Kamrath IP Lawfirm, PA

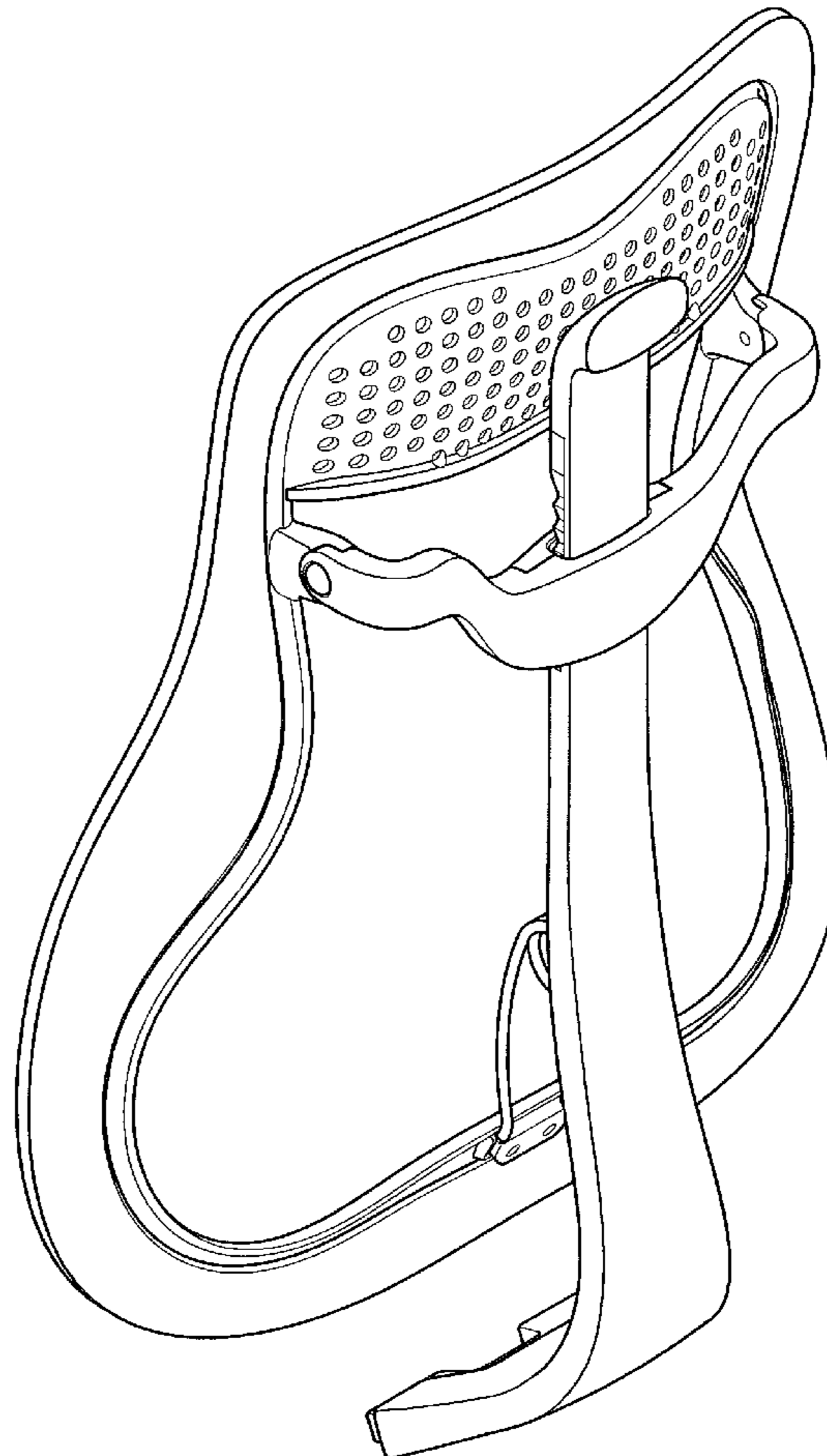
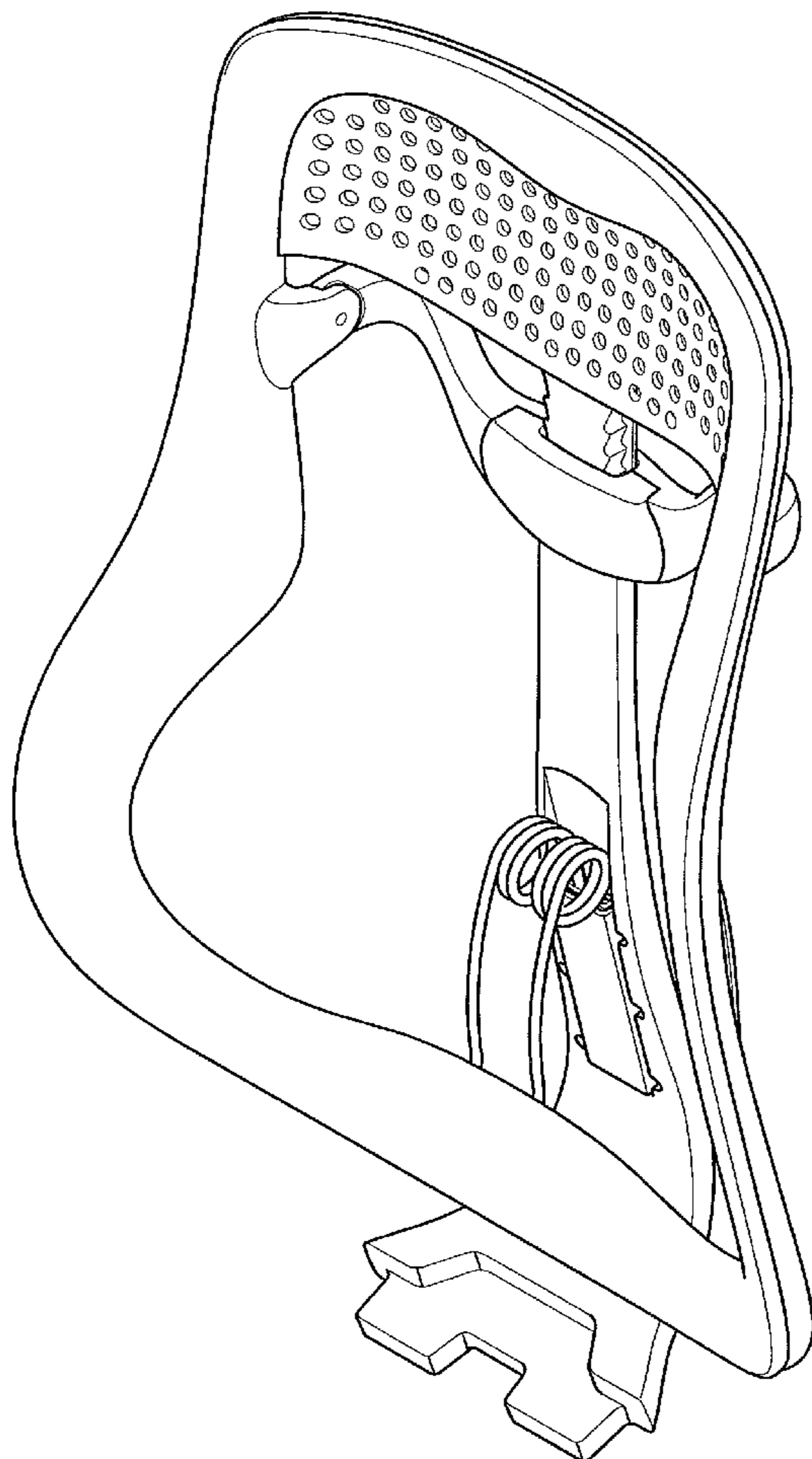
(57) **CLAIM**

The ornamental design for a chair back frame, as shown and described.

**DESCRIPTION**

FIG. 1 is a perspective view of a chair back frame, showing my new design;  
FIG. 2 is a front elevational view thereof;  
FIG. 3 is a rear elevational view thereof;  
FIG. 4 is a left side view thereof;  
FIG. 5 is a right side view thereof;  
FIG. 6 is a top plan view thereof; and,  
FIG. 7 is a bottom plan view thereof; and,  
FIG. 8 is another perspective view of the design.

**1 Claim, 6 Drawing Sheets**



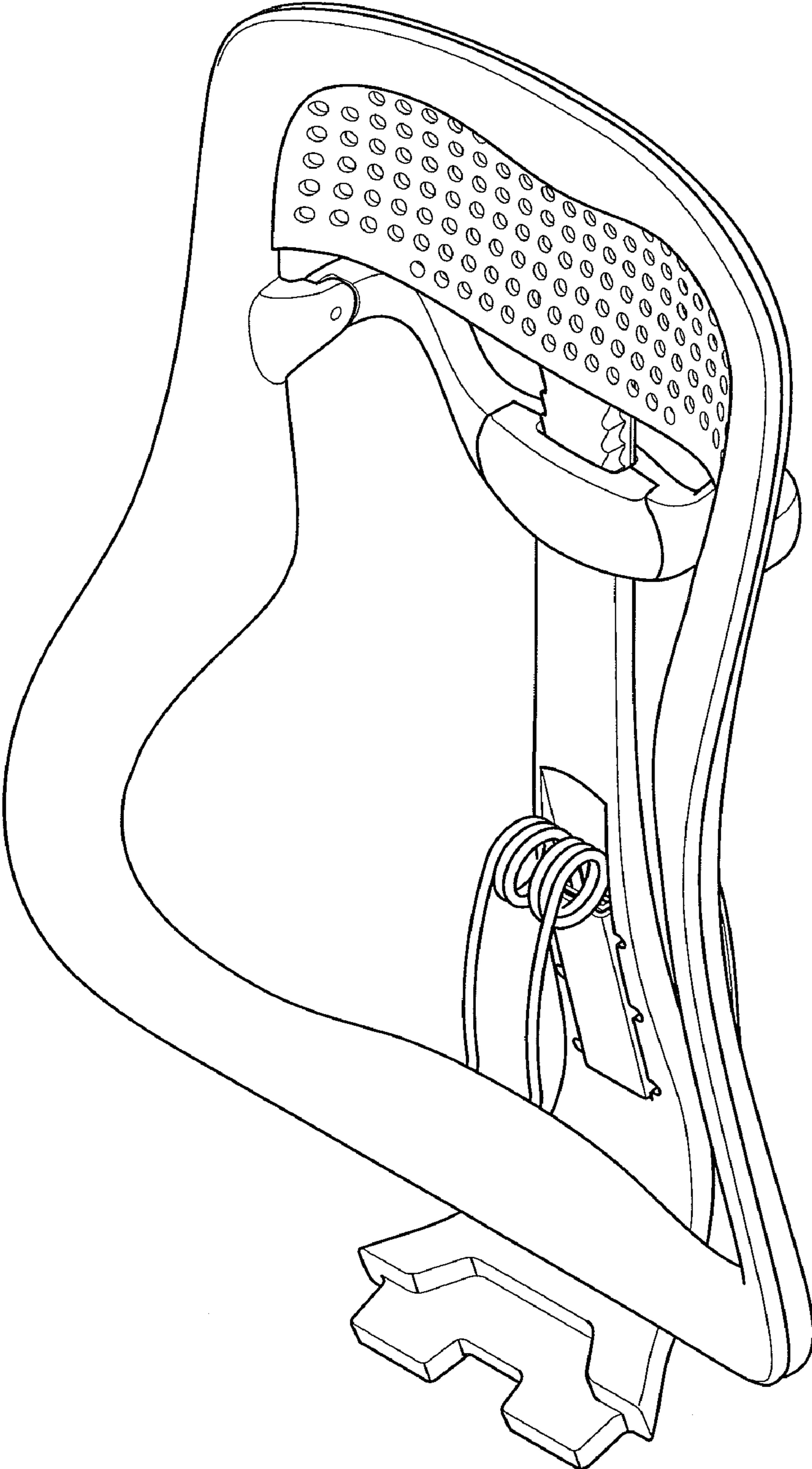


FIG. 1

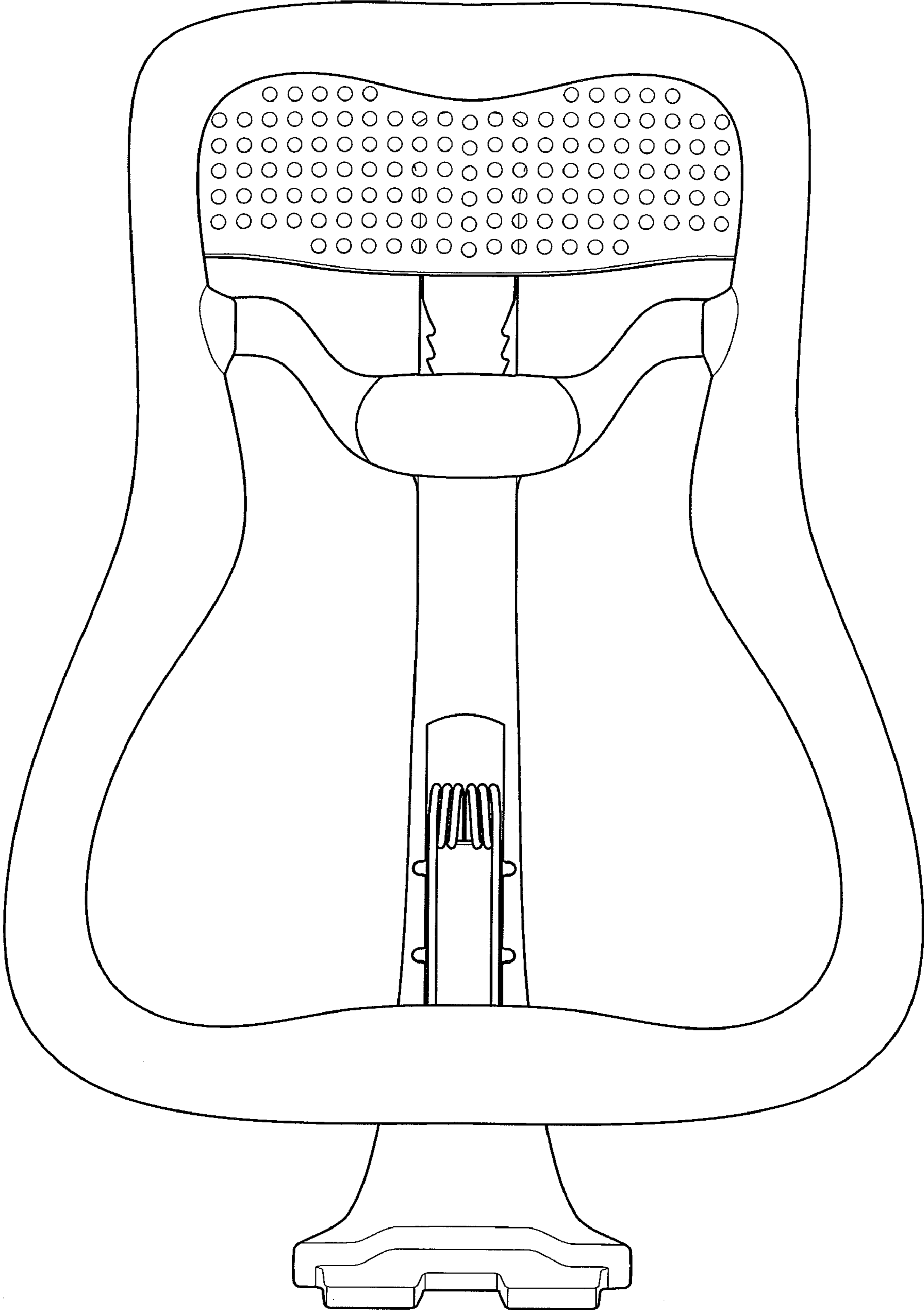


FIG. 2

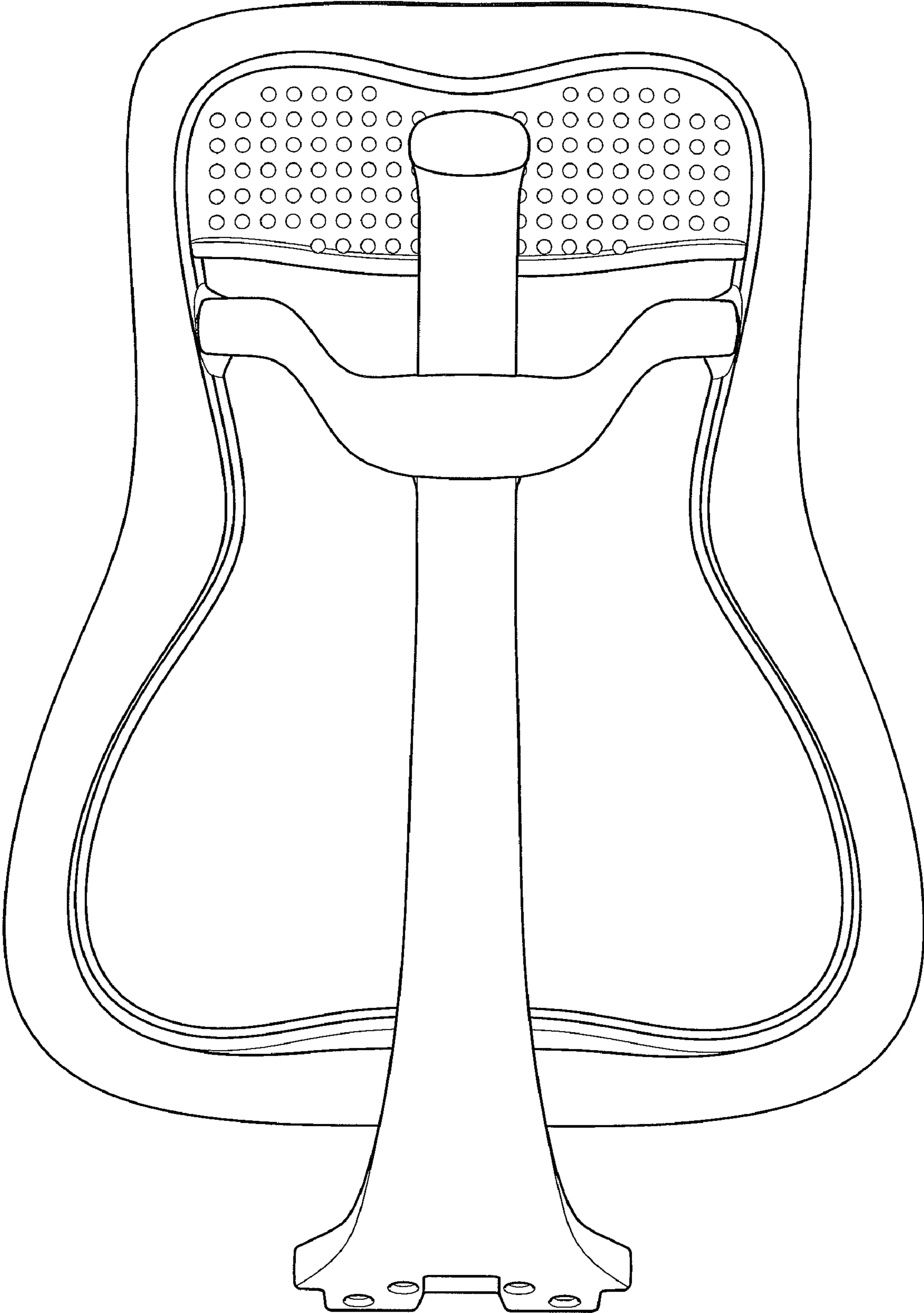


FIG. 3



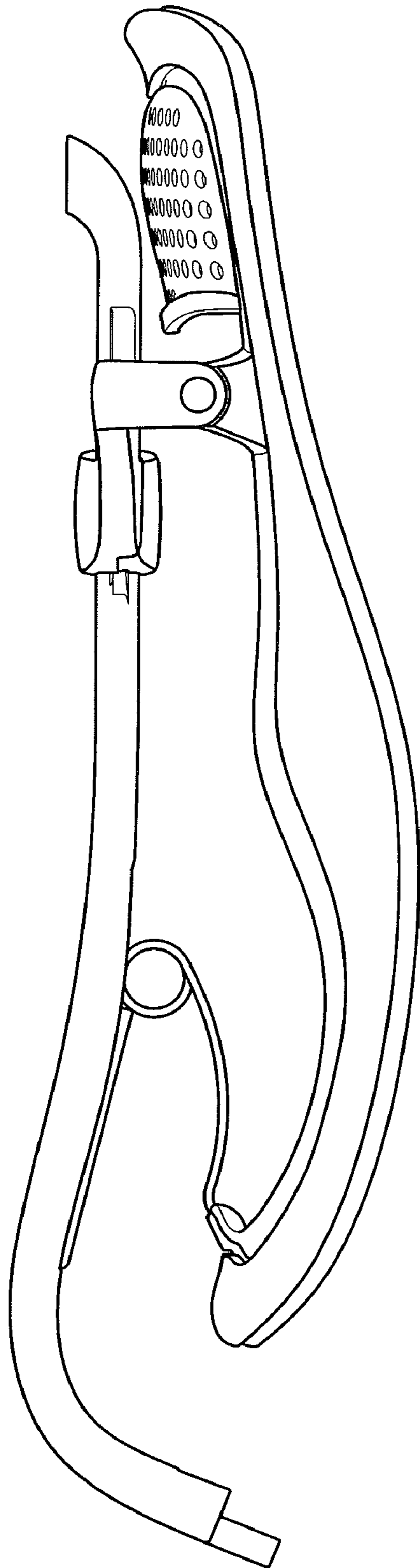


FIG. 4

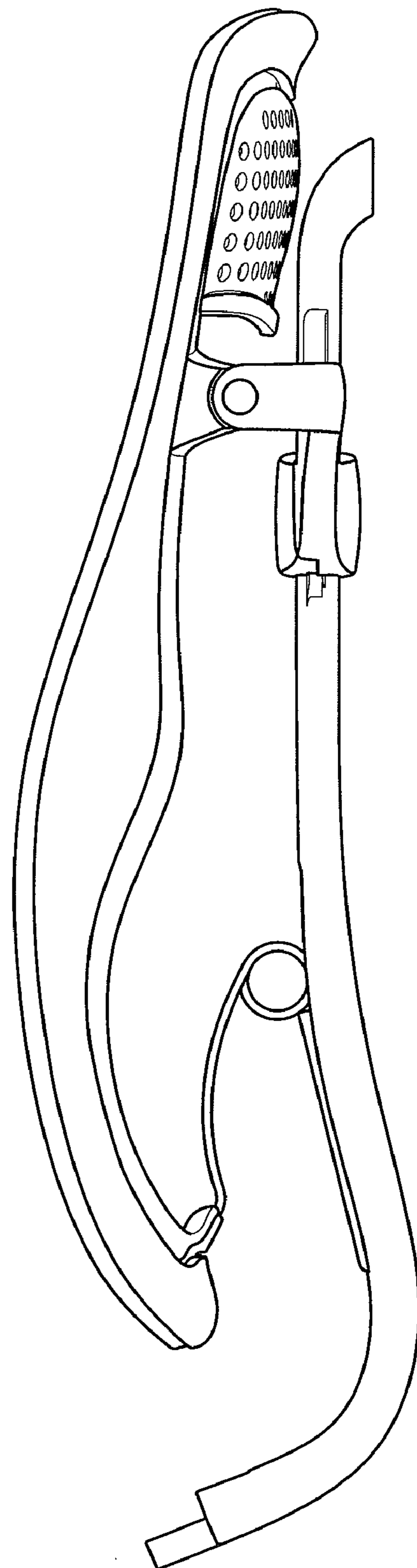


FIG. 5

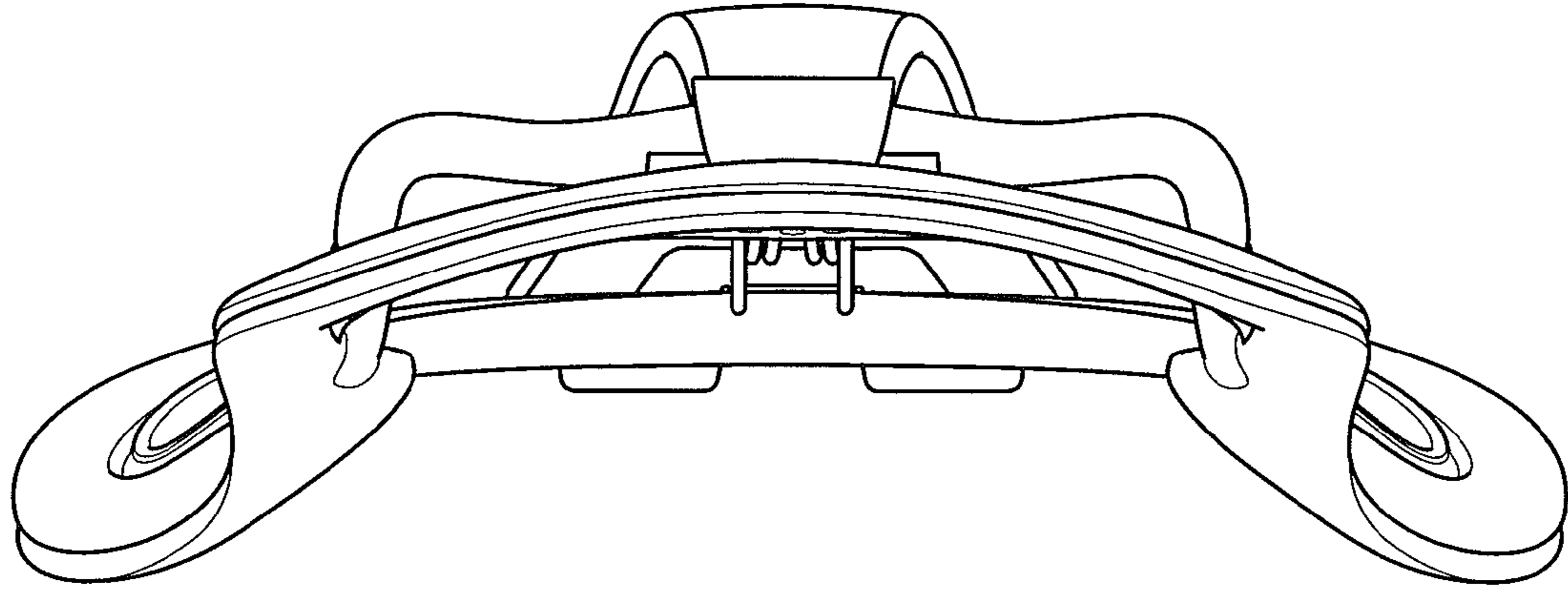


FIG. 6

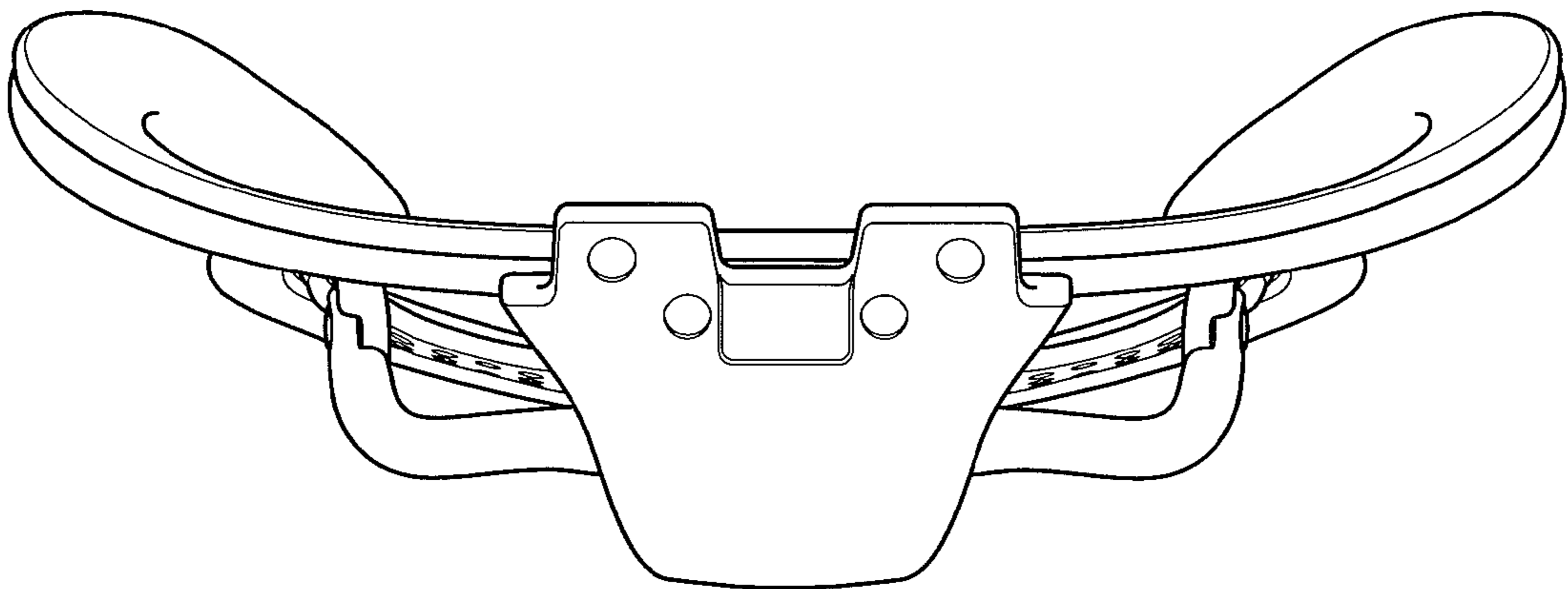


FIG. 7

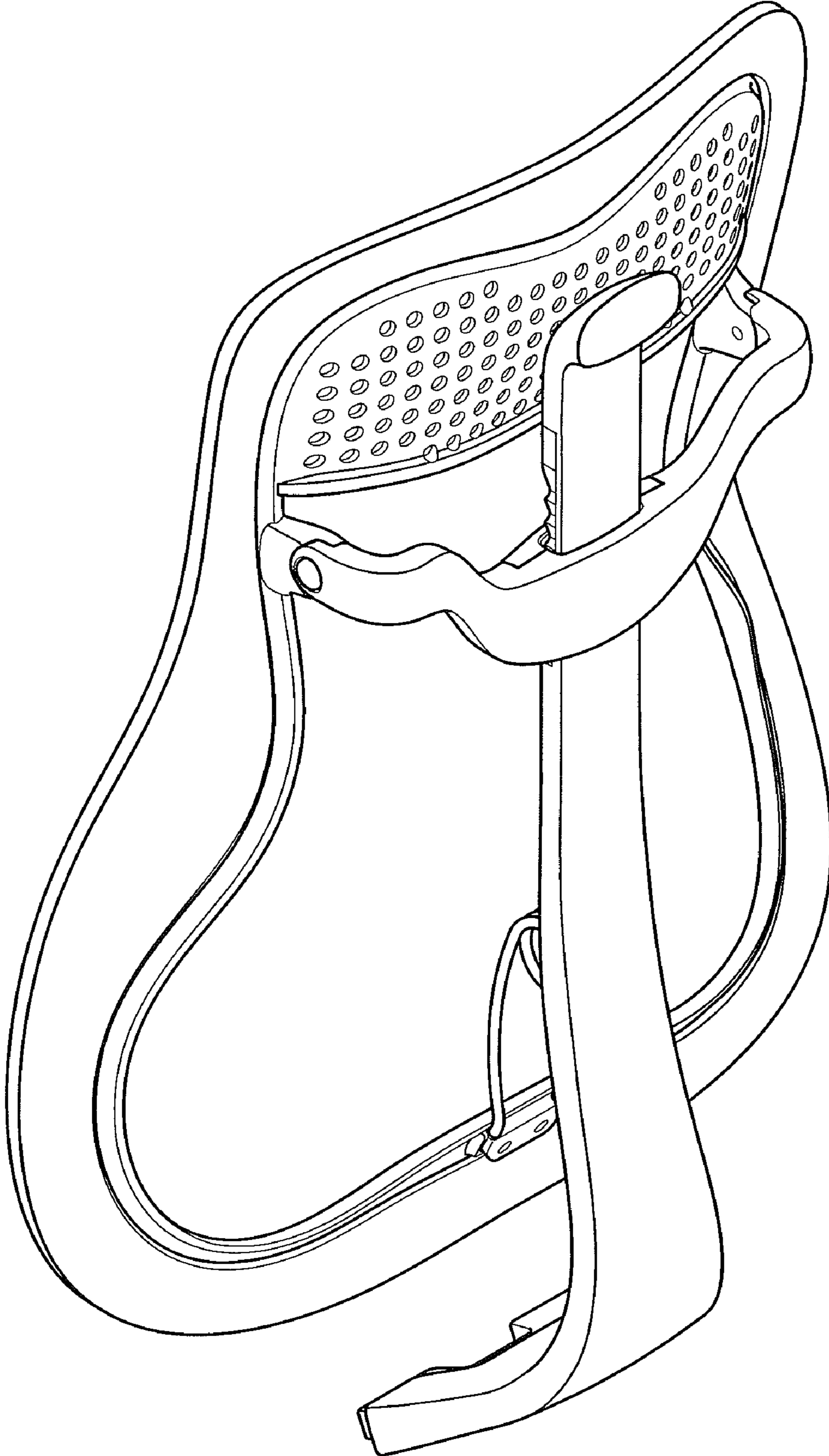


FIG. 8