

US00D668477S

(12) **United States Design Patent**
Eicke

(10) **Patent No.:** **US D668,477 S**
(45) **Date of Patent:** **** Oct. 9, 2012**

(54) **TABLE**

(75) Inventor: **Maximilian M. Eicke**, Sag Harbor, NY
(US)

(73) Assignee: **Max ID NY LLC**, Sag Harbor, NY (US)

(**) Term: **14 Years**

(21) Appl. No.: **29/392,249**

(22) Filed: **May 19, 2011**

(51) **LOC (9) Cl.** **06-03**

(52) **U.S. Cl.** **D6/482; D6/483**

(58) **Field of Classification Search** D6/480-489,
D6/495-499, 477, 479, 450-451; 108/150,
108/152, 153.1, 156, 161; 248/188, 188.1,
248/188.8

See application file for complete search history.

(56) **References Cited**

U.S. PATENT DOCUMENTS

D201,558 S * 7/1965 Reyes D6/483
D211,764 S * 7/1968 De Vries D6/450

D290,071 S * 6/1987 DeVito D6/482
D292,255 S * 10/1987 Winzeler, III D6/480
D442,396 S * 5/2001 Criado Mellado D6/481
D620,287 S * 7/2010 Haudressy D6/483

* cited by examiner

Primary Examiner — Janice Seeger

(74) *Attorney, Agent, or Firm* — Hoffmann & Baron, LLP

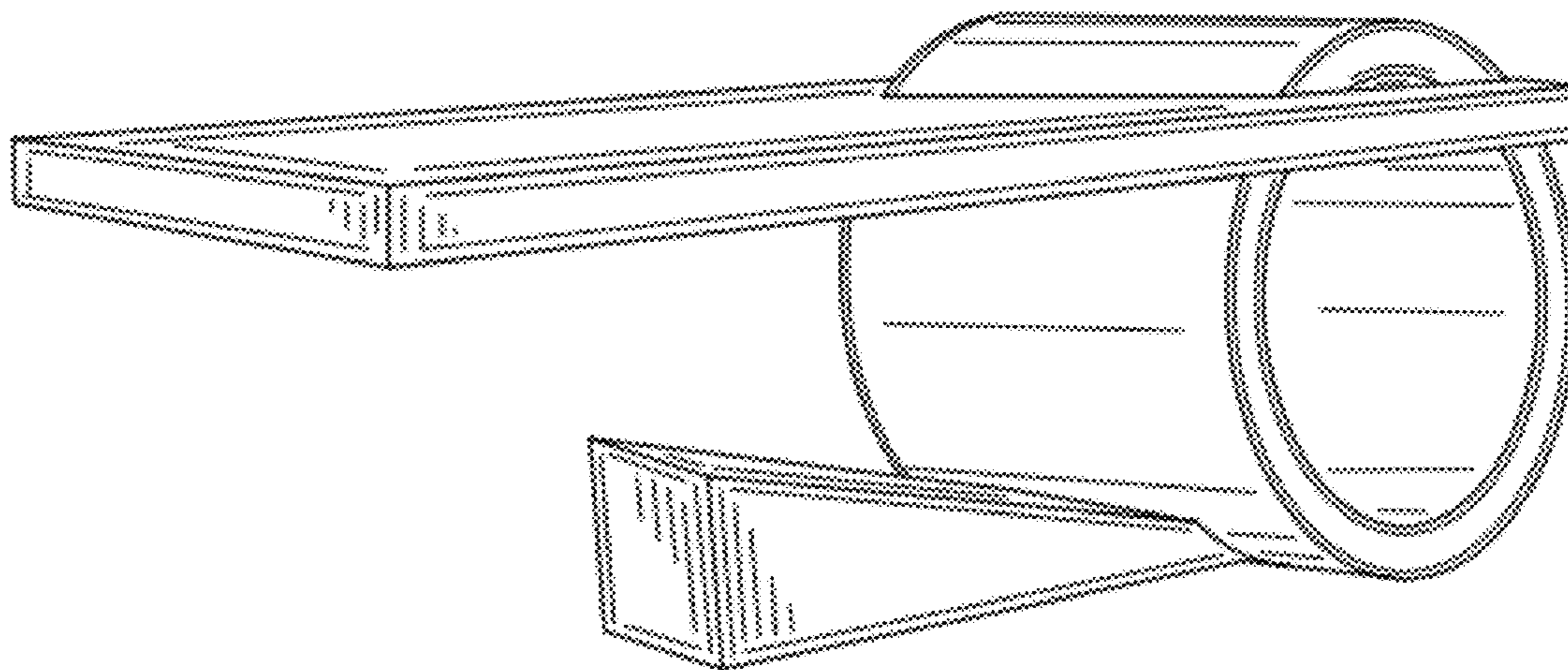
(57) **CLAIM**

The ornamental design for a table, as shown and described.

DESCRIPTION

FIG. 1 is a perspective view of a table constructed in accordance with the invention;
FIG. 2 is a top elevation view of the table shown in FIG. 1;
FIG. 3 is a side elevation view of the table shown in FIG. 1;
FIG. 4 is a front elevation view of the table shown in FIG. 1;
FIG. 5 is a rear elevation view of the table shown in FIG. 1;
and,
FIG. 6 is a bottom elevation view of the table shown in FIG. 1.

1 Claim, 5 Drawing Sheets



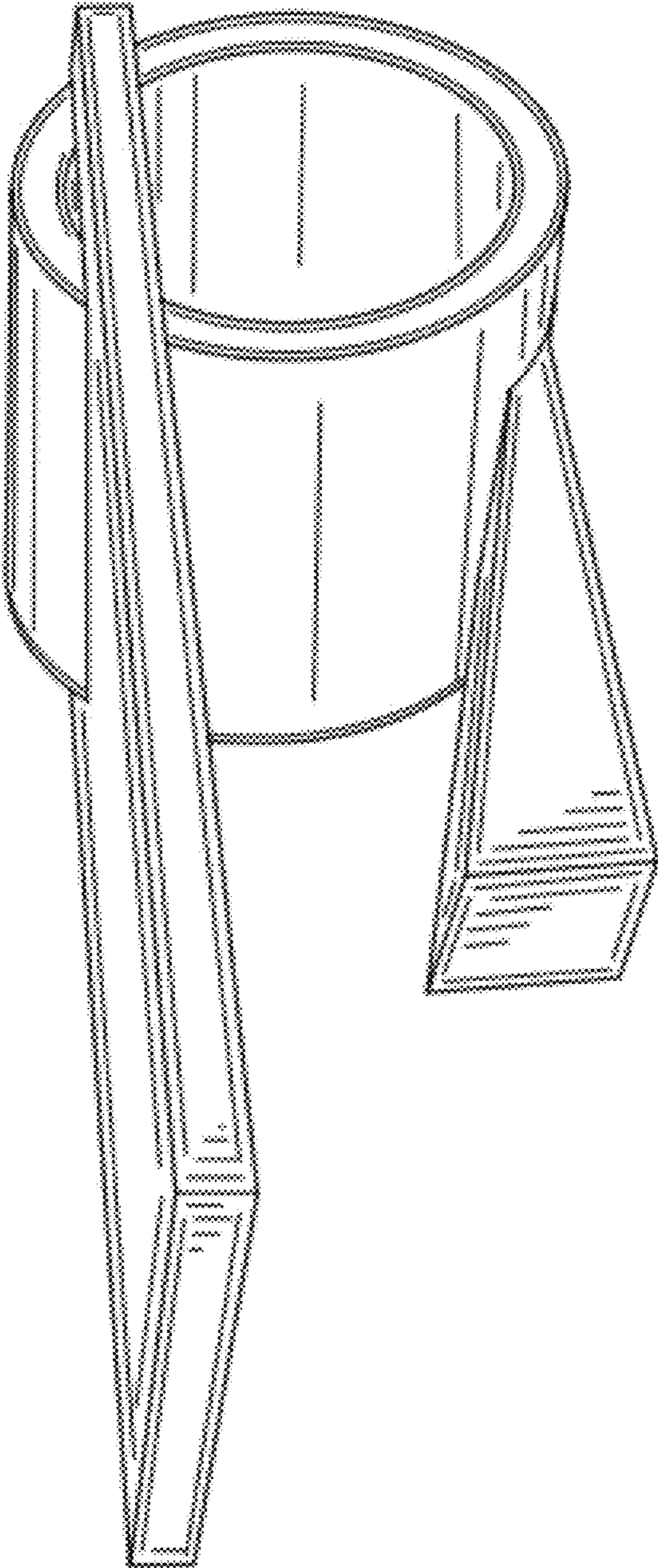


FIG. 1

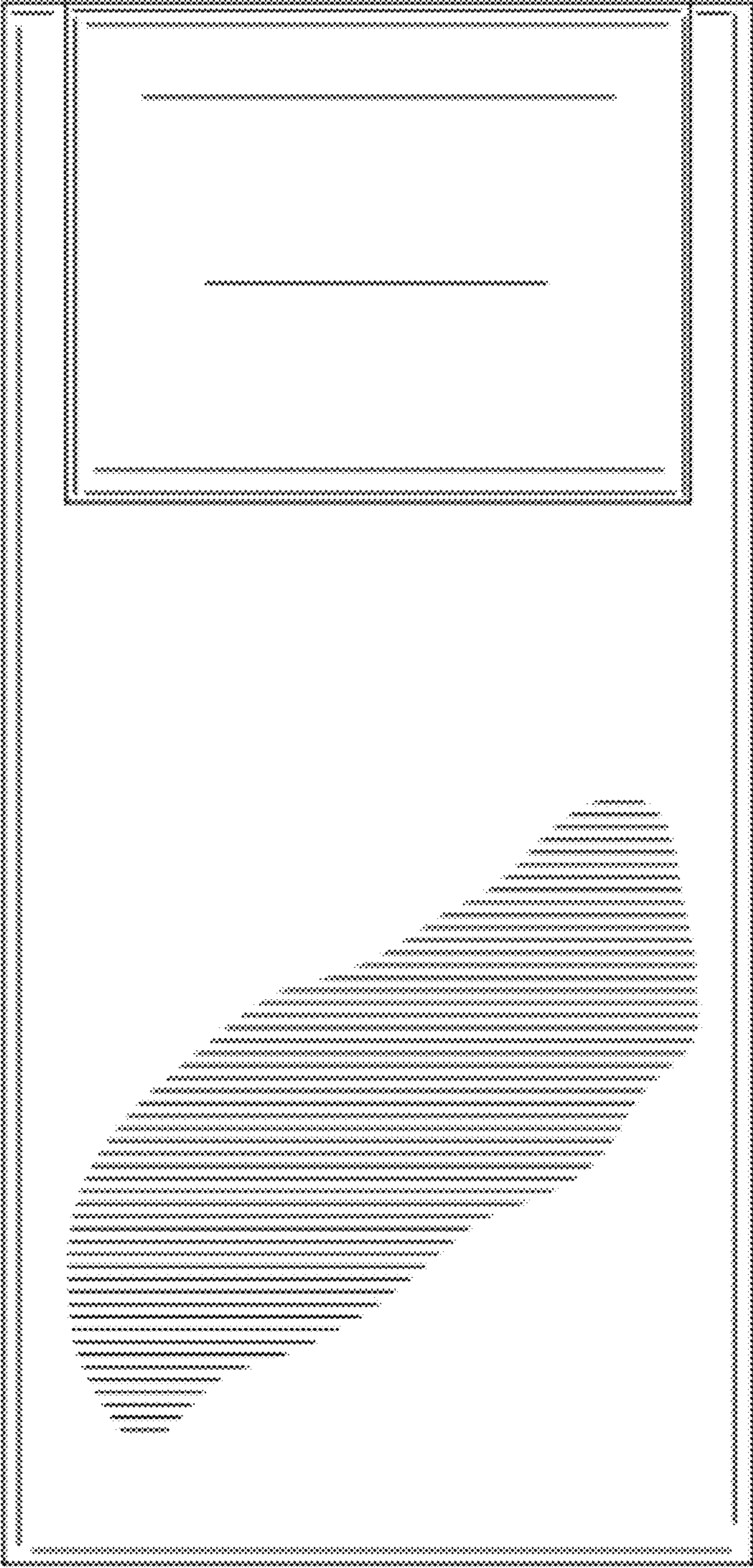


FIG. 2

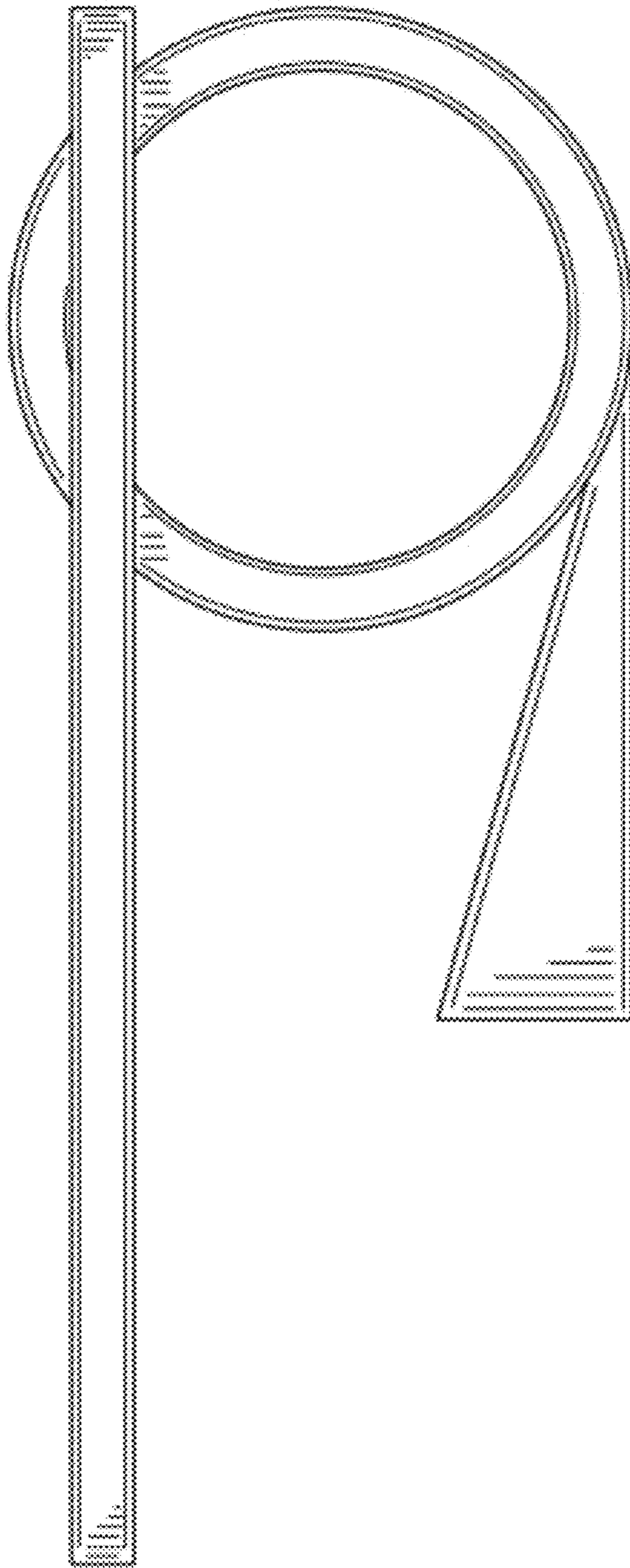


FIG. 3

FIG. 4

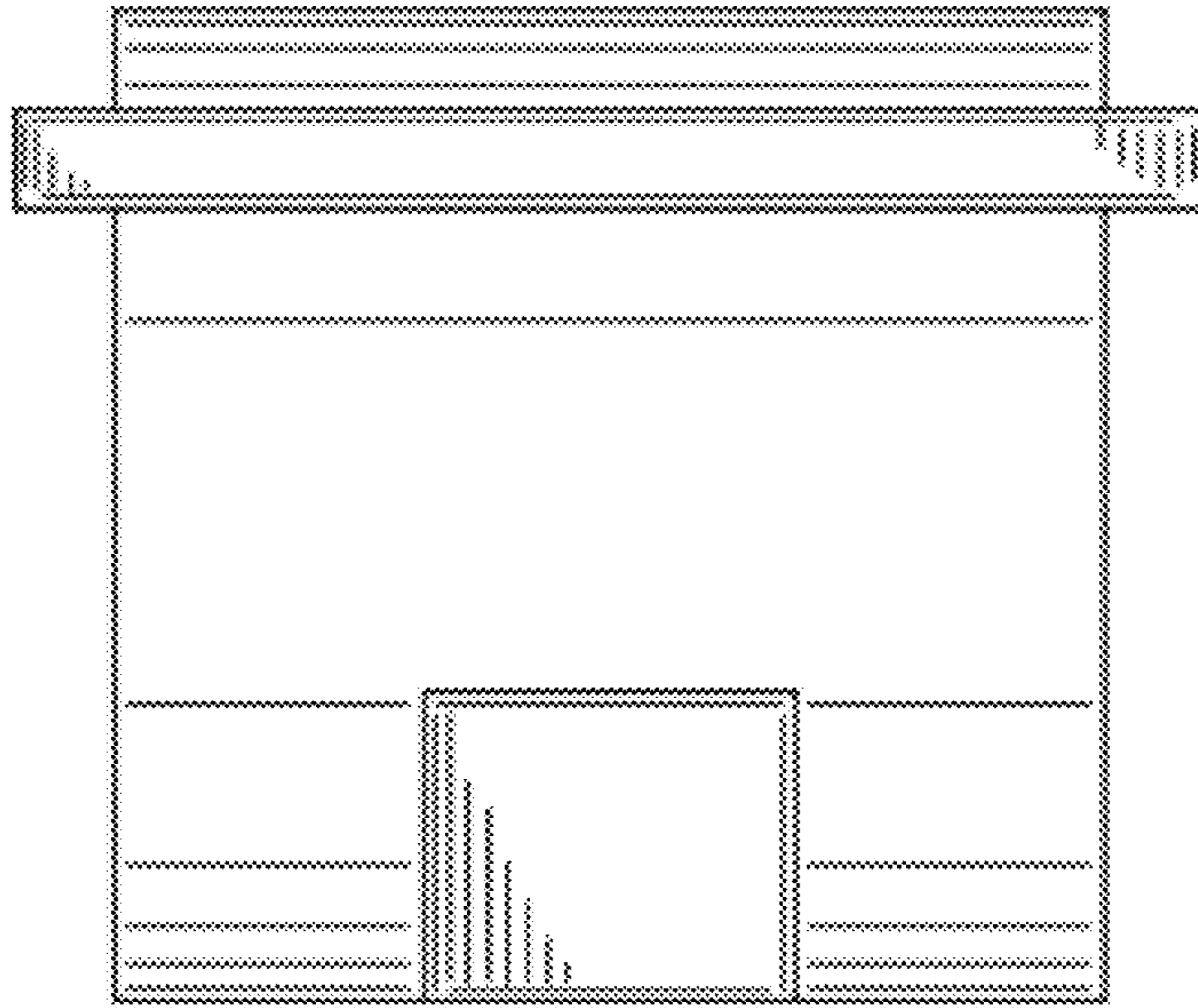
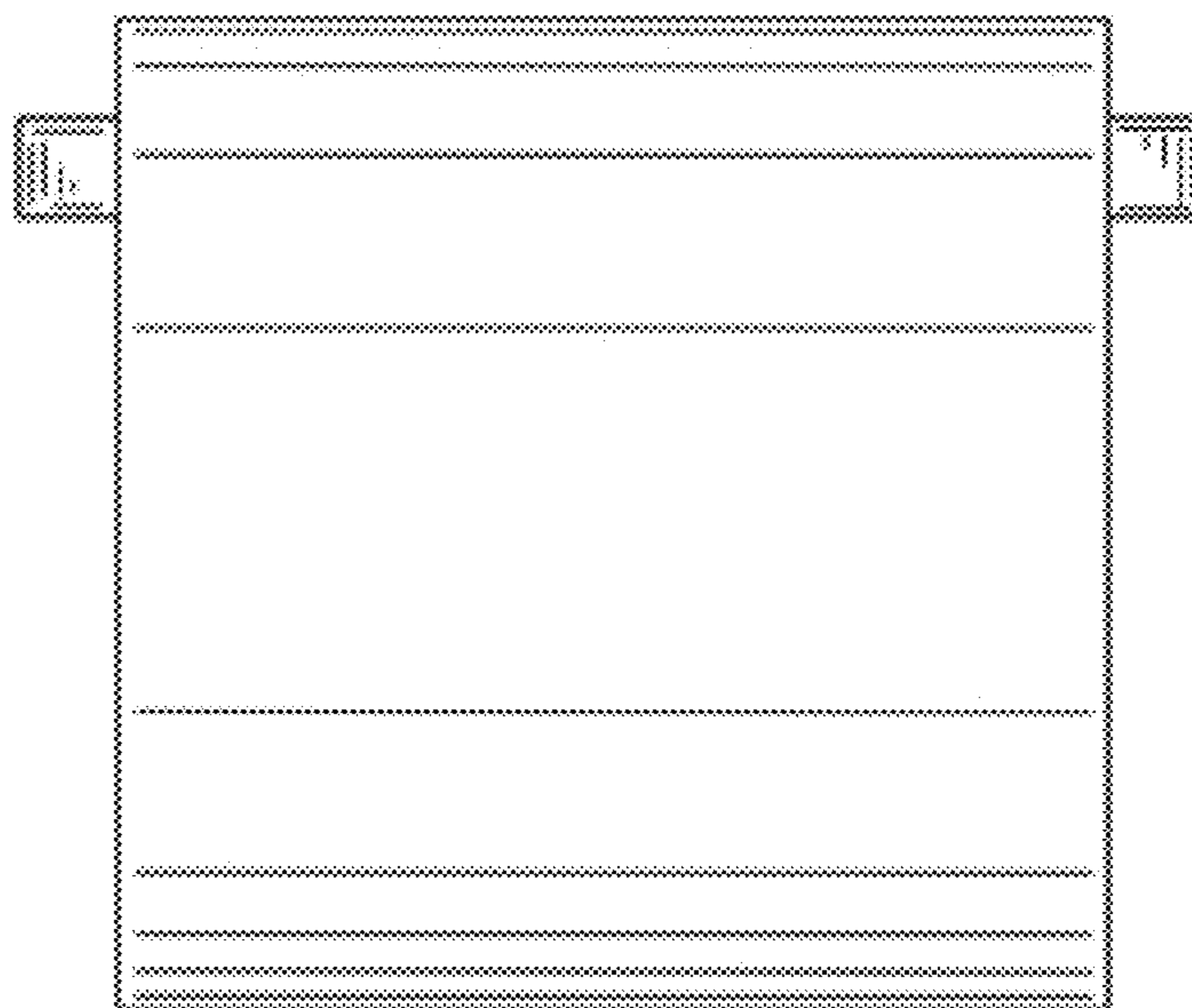


FIG. 5



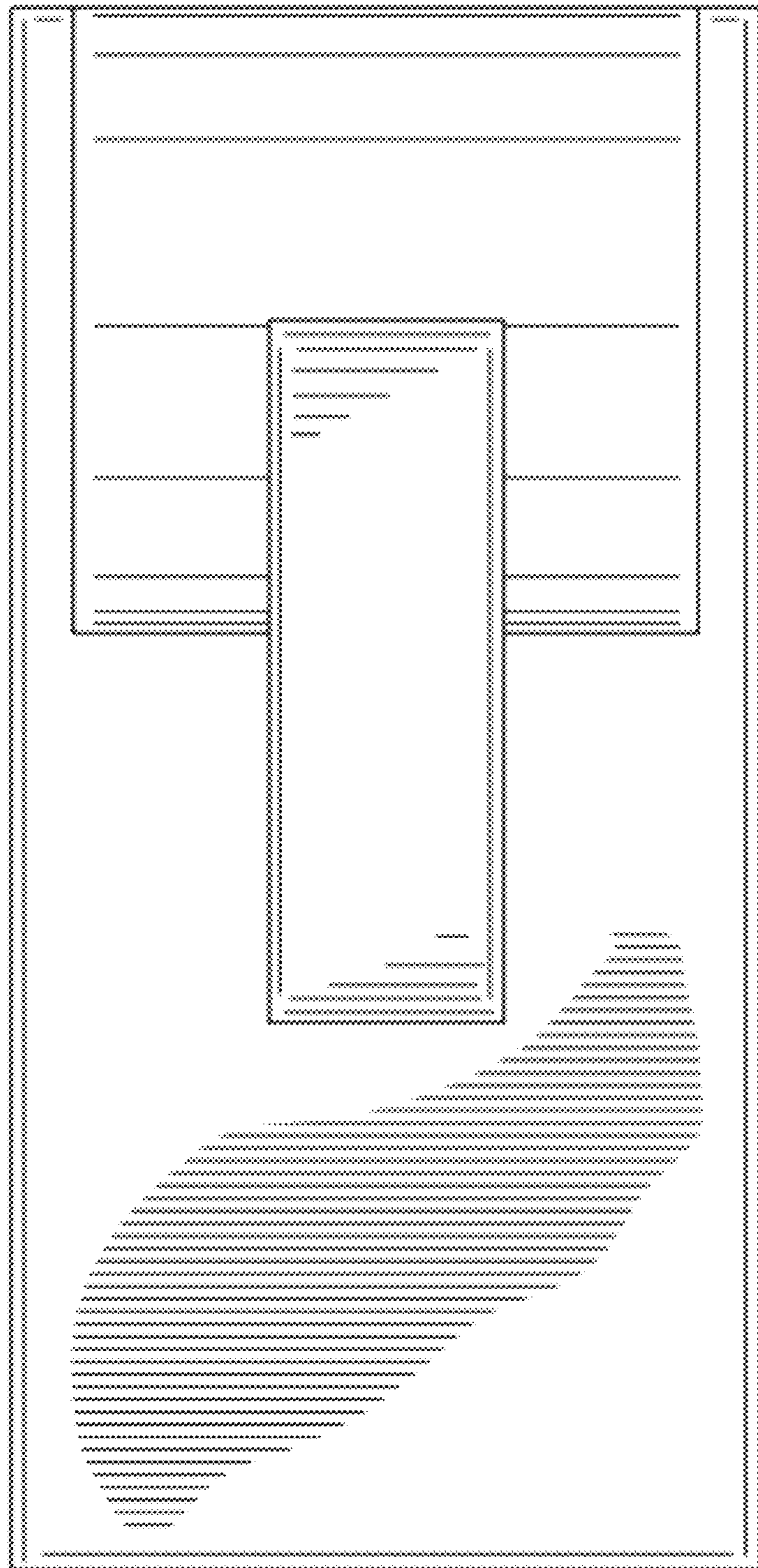


FIG. 6