

US00D668475S

(12) **United States Design Patent**
Zambelli

(10) **Patent No.:** **US D668,475 S**
(45) **Date of Patent:** **** Oct. 9, 2012**

- (54) **AUDIO VIDEO SHELVING UNIT**
- (75) Inventor: **Michael P. Zambelli**, Basking Ridge, NJ (US)
- (73) Assignee: **Bell'O International Corp.**, Morganville, NJ (US)
- (**) Term: **14 Years**
- (21) Appl. No.: **29/410,126**
- (22) Filed: **Jan. 4, 2012**
- (51) **LOC (9) Cl.** **06-04**
- (52) **U.S. Cl.** **D6/470**
- (58) **Field of Classification Search** D6/397,
D6/420-440, 445-448, 460-470, 474-479,
D6/495, 510; 312/107-109, 114, 194, 198,
312/204, 213, 224, 278-279, 290, 311, 324
See application file for complete search history.

- D506,329 S 6/2005 Sexton
- D507,428 S * 7/2005 Weatherly D6/437
- D507,433 S 7/2005 Portnoy
- D507,900 S 8/2005 Sexton
- D508,172 S 8/2005 Malizia et al.
- D515,337 S 2/2006 deCarolis
- D515,849 S 2/2006 Niu
- D516,838 S 3/2006 Portnoy
- D516,840 S 3/2006 deCarolis
- D516,847 S 3/2006 Stenhouse et al.
- D519,757 S 5/2006 Portnoy
- D524,080 S 7/2006 Stenhouse et al.
- D524,578 S 7/2006 Stenhouse et al.
- D525,052 S 7/2006 Malizia et al.
- D525,054 S 7/2006 Stenhouse et al.
- D527,208 S 8/2006 Malizia et al.

(Continued)

(56) **References Cited**

U.S. PATENT DOCUMENTS

- D56,556 S * 11/1920 Gray D6/436
- D454,731 S 3/2002 Niitsu et al.
- D458,053 S 6/2002 Luong
- D459,118 S 6/2002 Antonioni
- D472,073 S 3/2003 de Carolis
- D472,074 S 3/2003 de Carolis
- D472,075 S 3/2003 de Carolis
- D489,548 S 5/2004 Malizia et al.
- D491,748 S 6/2004 deCarolis
- D491,749 S 6/2004 Malizia et al.
- D491,750 S 6/2004 Bertoncini et al.
- D491,753 S 6/2004 deCarolis
- D492,860 S 7/2004 Bertoncini et al.
- D493,982 S 8/2004 deCarolis
- D496,807 S 10/2004 deCarolis
- D497,060 S 10/2004 Chang et al.
- D497,061 S 10/2004 Decarolis
- D499,582 S * 12/2004 McDiarmid D6/470
- D505,573 S 5/2005 Malizia

OTHER PUBLICATIONS

Bell'O 2011-12 Product Catalog.

Primary Examiner — Ricky Pham

(74) *Attorney, Agent, or Firm* — Lerner, David, Littenberg, Krumholz & Mentlik, LLP

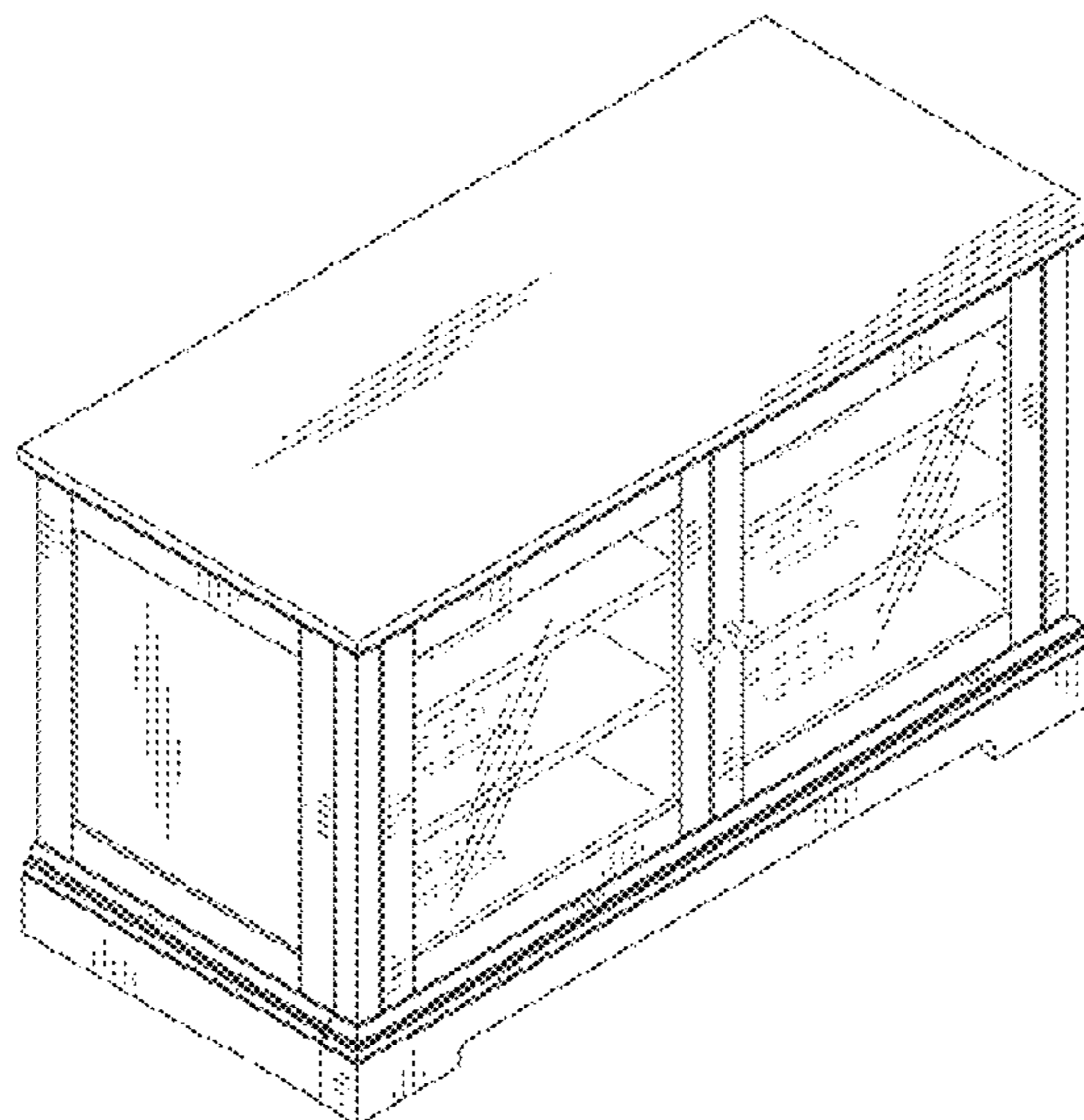
(57) **CLAIM**

The ornamental design for audio video shelving unit, as shown and described.

DESCRIPTION

FIG. 1 is a front perspective view of the subject audio video shelving unit;
 FIG. 2 is a front view thereof;
 FIG. 3 is a rear view thereof;
 FIG. 4 is a top plan view thereof; and,
 FIG. 5 is a right side view thereof (the left side view is a mirror image of the right side view).
 The broken lines shown on the drawings are included for the purpose of illustration and form no part of the claimed design.

1 Claim, 3 Drawing Sheets



US D668,475 S

Page 2

U.S. PATENT DOCUMENTS

D528,827 S *	9/2006	Becker	D6/470	D594,248 S	6/2009	Zambelli	
D535,497 S	1/2007	Portnoy		D595,978 S	7/2009	Portnoy et al.	
D537,656 S	3/2007	Stenhouse et al.		D599,584 S	9/2009	Zambelli	
D540,067 S	4/2007	Chung		D604,251 S	11/2009	Hwang	
D542,059 S	5/2007	Moyle et al.		D605,874 S	12/2009	Zambelli	
D543,729 S	6/2007	Weatherly		D610,836 S	3/2010	Kohler	
D549,991 S	9/2007	Stravitz		D612,172 S	3/2010	Portnoy	
D554,393 S	11/2007	Yalif		D612,634 S	3/2010	Zambelli	
D555,397 S	11/2007	Yalif		D616,672 S	6/2010	Sculler et al.	
D559,583 S	1/2008	Zambelli		D619,827 S	7/2010	Sculler et al.	
D559,584 S	1/2008	Zambelli		D619,828 S	7/2010	Connor et al.	
D560,077 S	1/2008	Zambelli		D620,278 S	7/2010	Zambelli	
D560,401 S	1/2008	Hoglan et al.		D620,284 S	7/2010	Zambelli	
D562,593 S	2/2008	Zambelli		D620,285 S	7/2010	Sculler et al.	
D562,597 S *	2/2008	Weatherly	D6/479	D623,442 S	9/2010	Zambelli	
D563,695 S	3/2008	Yamaguchi		D623,443 S	9/2010	Zambelli	
D564,260 S	3/2008	deCarolis		D623,876 S	9/2010	Zambelli	
D564,261 S	3/2008	Sculler		D623,877 S	9/2010	Zambelli	
D564,789 S	3/2008	deCarolis		D625,123 S	10/2010	Zambelli	
D564,796 S	3/2008	Zambelli		D630,453 S *	1/2011	Rafieha	D6/436
D564,797 S	3/2008	Yamaguchi		D632,902 S *	2/2011	Rafieha	D6/470
D587,483 S	3/2009	Zambelli		D641,183 S	7/2011	Portnoy	
D587,484 S *	3/2009	Domack et al.	D6/436	D641,995 S	7/2011	Zambelli	
D587,494 S *	3/2009	Cramer	D6/470	D643,649 S	8/2011	Chung	
D587,496 S	3/2009	Weitz		D644,043 S	8/2011	Portnoy	
D587,497 S	3/2009	Zambelli		D644,454 S	9/2011	Chung	
D588,835 S *	3/2009	Domack et al.	D6/445	D646,910 S	10/2011	Portnoy	
D590,636 S	4/2009	Ou Yang et al.		D648,573 S	11/2011	Sculler	
D590,637 S	4/2009	Portnoy		D654,289 S *	2/2012	Zambelli	D6/470
D592,428 S	5/2009	Zambelli		D655,946 S *	3/2012	Sexton	D6/470
D592,432 S *	5/2009	Sexton	D6/510				

* cited by examiner

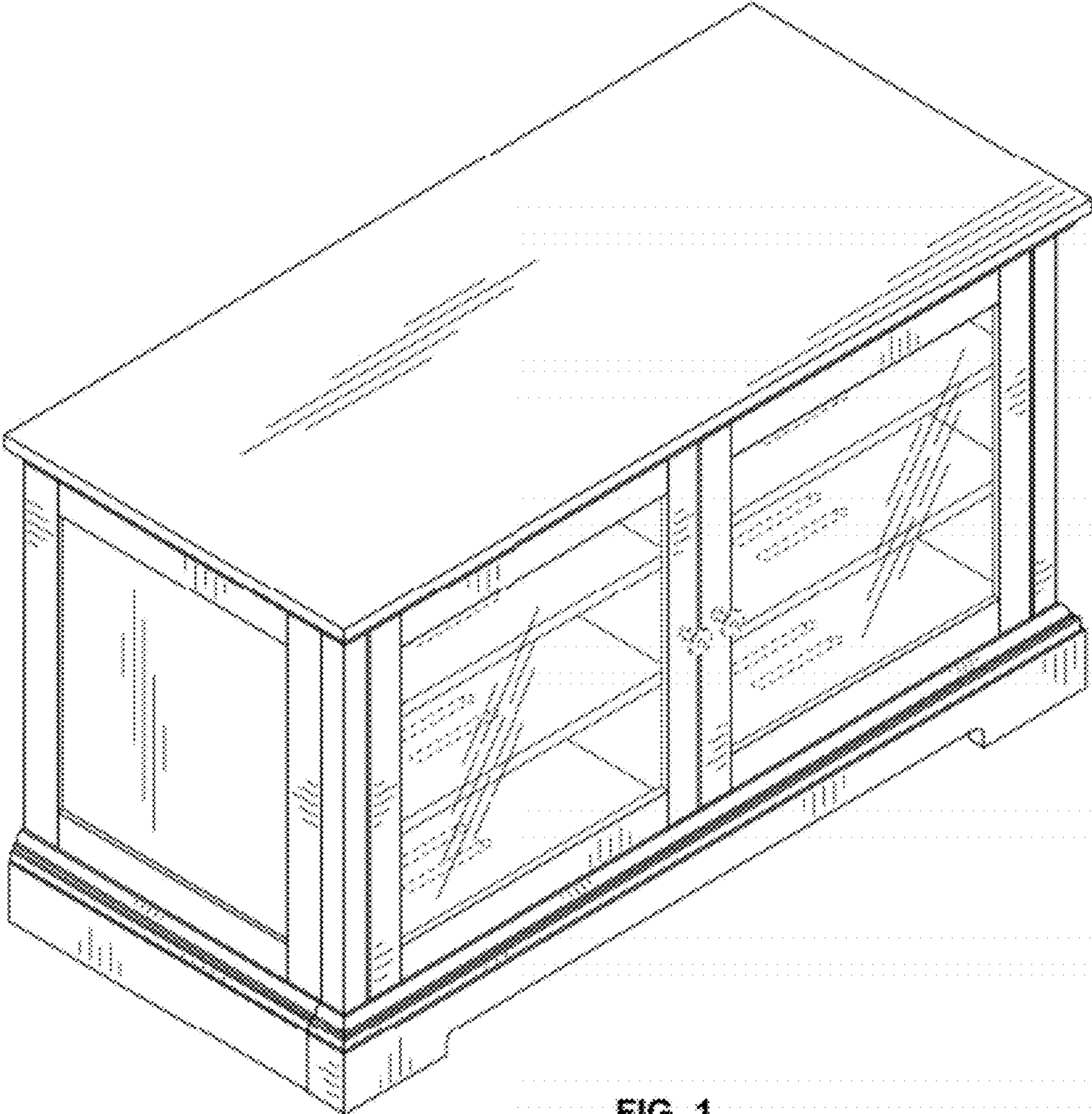


FIG. 1

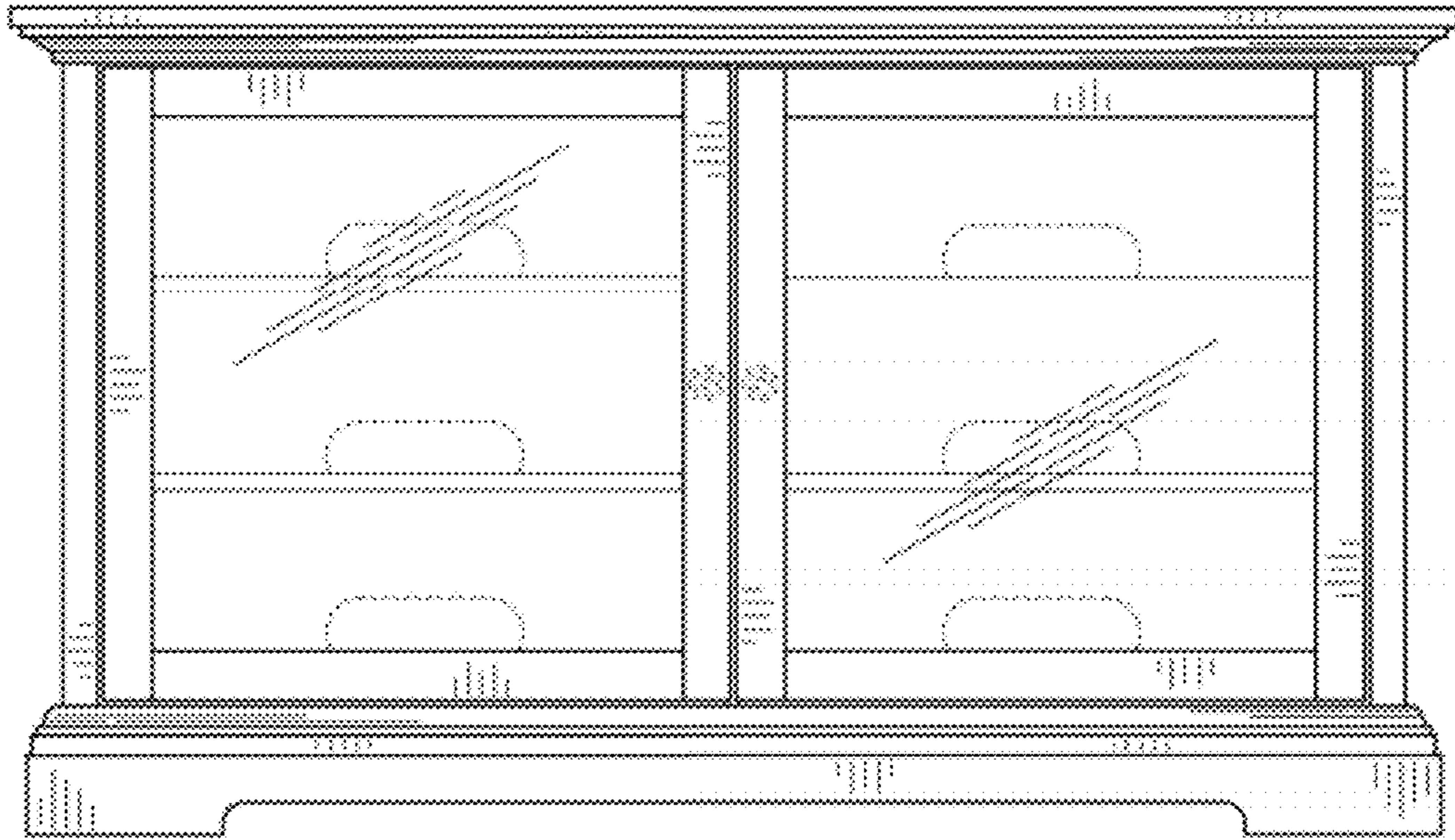


FIG. 2

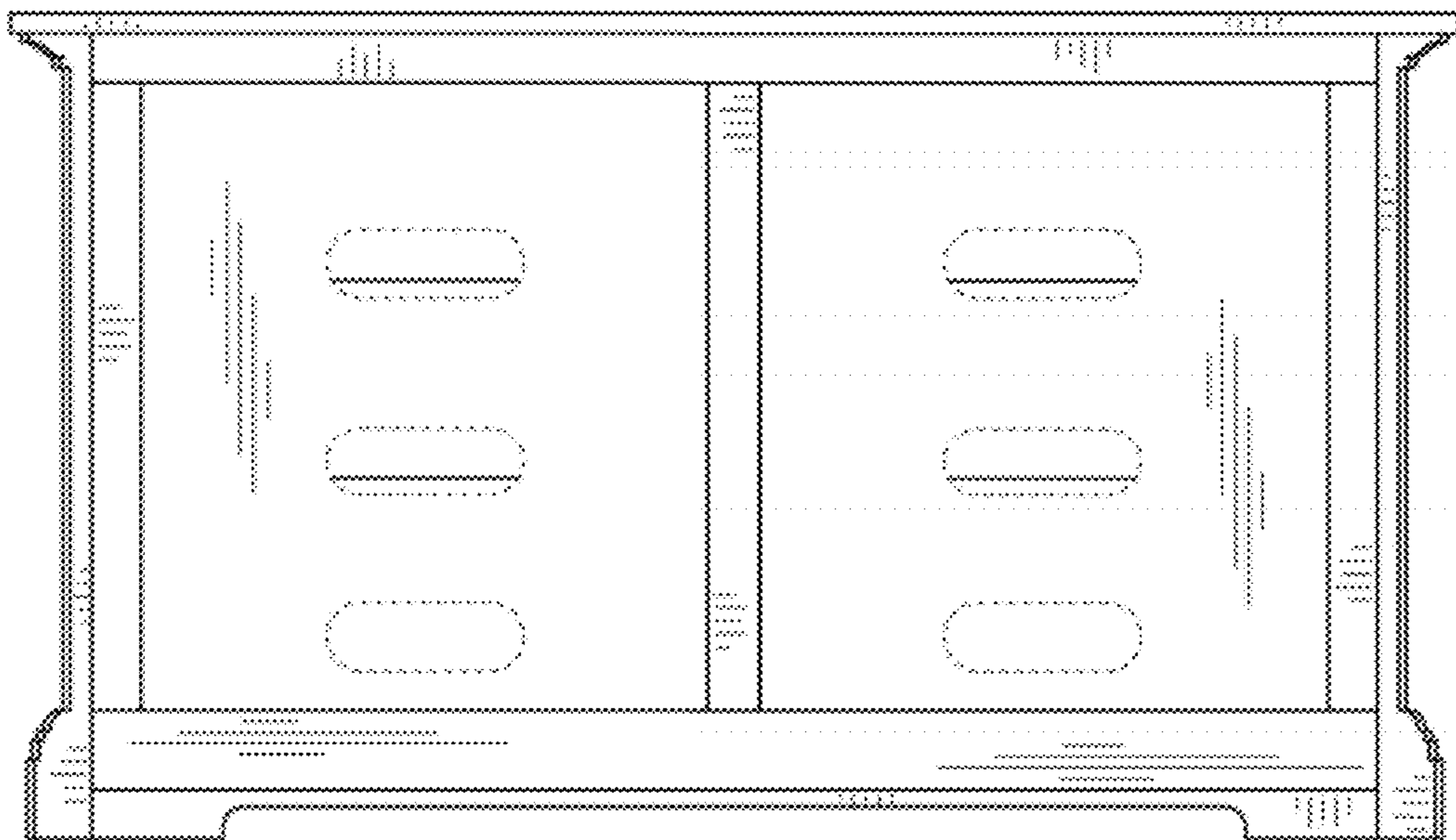


FIG. 3

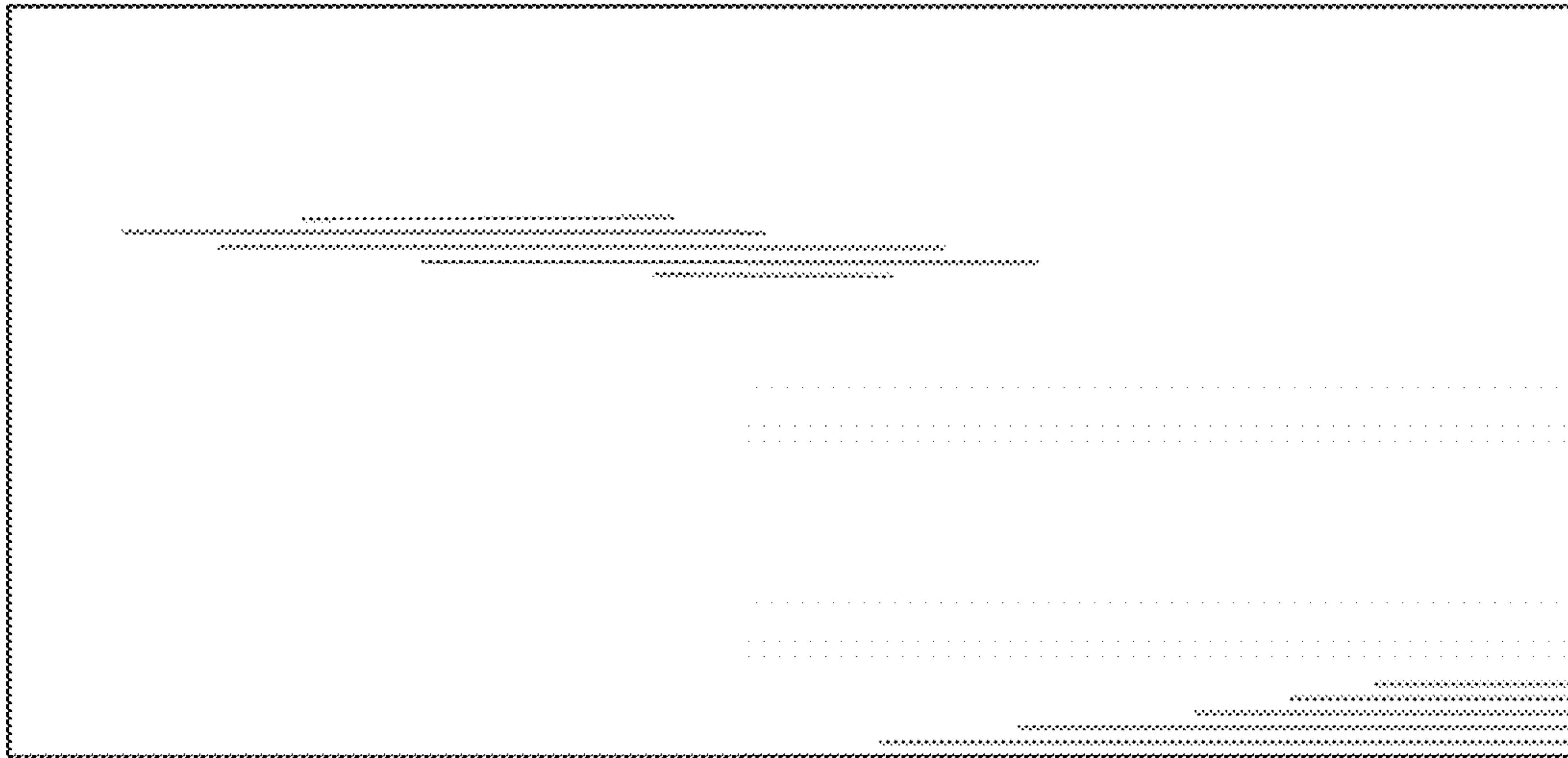


FIG. 4

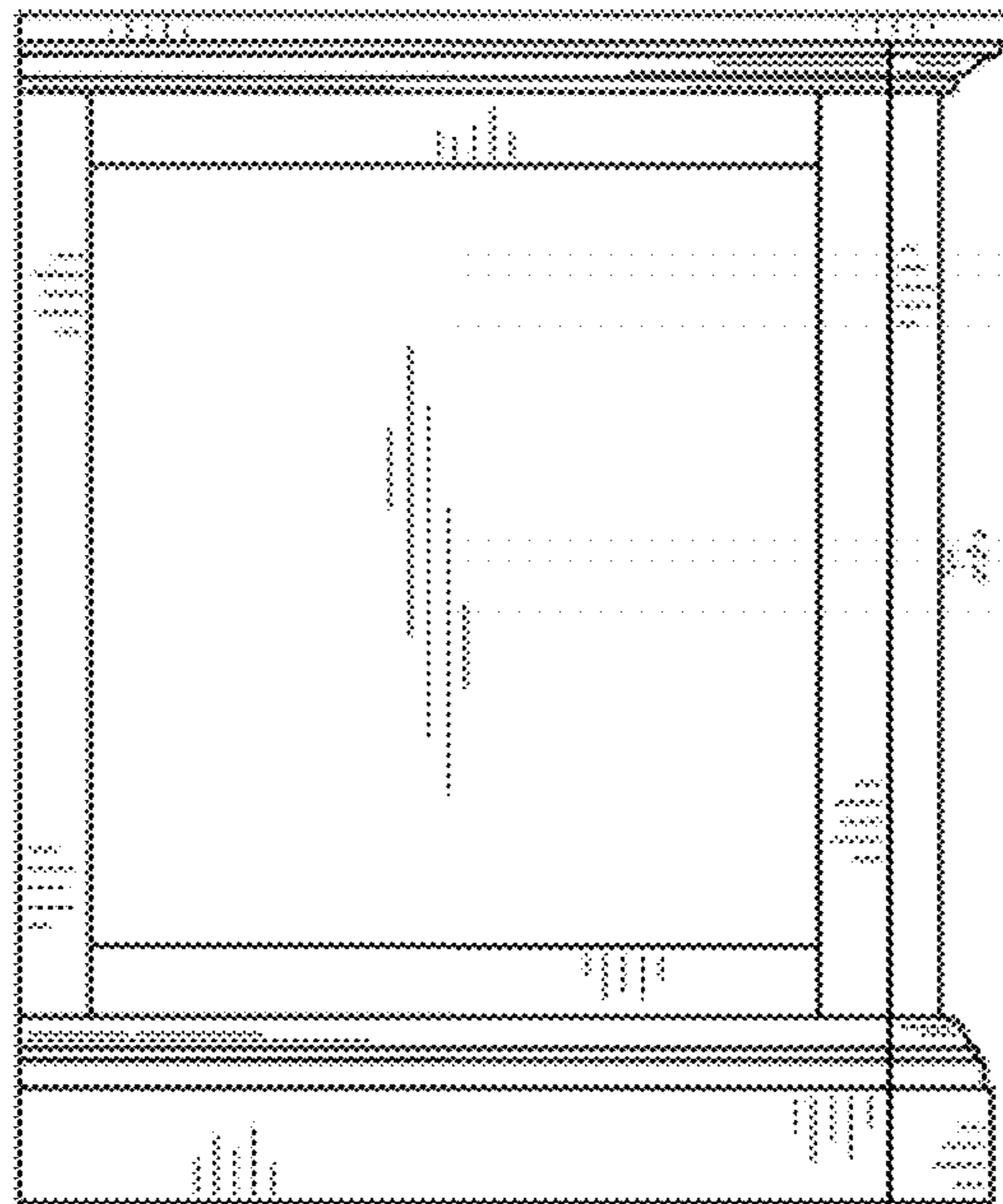


FIG. 5