

US00D668474S

(12) **United States Design Patent**
Lim

(10) **Patent No.:** **US D668,474 S**

(45) **Date of Patent:** **** Oct. 9, 2012**

(54) **STORAGE CHEST**

(75) **Inventor:** **Gary Lim**, Palos Verdes Peninsula, CA (US)

(73) **Assignee:** **Seville Classics Inc.**, Torrance, CA (US)

(**) **Term:** **14 Years**

(21) **Appl. No.:** **29/374,337**

(22) **Filed:** **Jul. 29, 2011**

(51) **LOC (9) Cl.** **06-04**

(52) **U.S. Cl.** **D6/440; D6/445**

(58) **Field of Classification Search** D6/400,
D6/432, 436, 437-439, 440, 445, 446, 447,
D6/448, 510; 312/108, 204, 249.4, 249.11,
312/249.12, 282, 308, 310, 328, 330.1, 351.3;
D3/279, 297, 905; D34/19, 20, 21; 206/349,
206/370, 373, 376

See application file for complete search history.

(56) **References Cited**

U.S. PATENT DOCUMENTS

4,120,549 A * 10/1978 Bureau 312/249.12
D258,175 S * 2/1981 Hazeltine D3/905
5,332,305 A * 7/1994 Slivon et al. 312/328

D356,703 S * 3/1995 Dickinson D6/439
5,482,162 A * 1/1996 Dickinson 206/373
D396,578 S * 8/1998 Zaidman D6/446
5,857,757 A * 1/1999 Bieker et al. 312/351.3
RE36,379 E * 11/1999 Slivon et al. 312/328
D430,426 S * 9/2000 Bieker et al. D6/445
D587,047 S * 2/2009 Kalkwarf D6/510

* cited by examiner

Primary Examiner — Mimosa De

(74) *Attorney, Agent, or Firm* — Raymond Sun

(57) **CLAIM**

The ornamental design for a storage chest, as shown and described.

DESCRIPTION

FIG. 1 is a perspective view with lid closed of a storage chest showing my new design.

FIG. 2 is a front view thereof;

FIG. 3 is a rear view thereof.

FIG. 4 is a right view thereof;

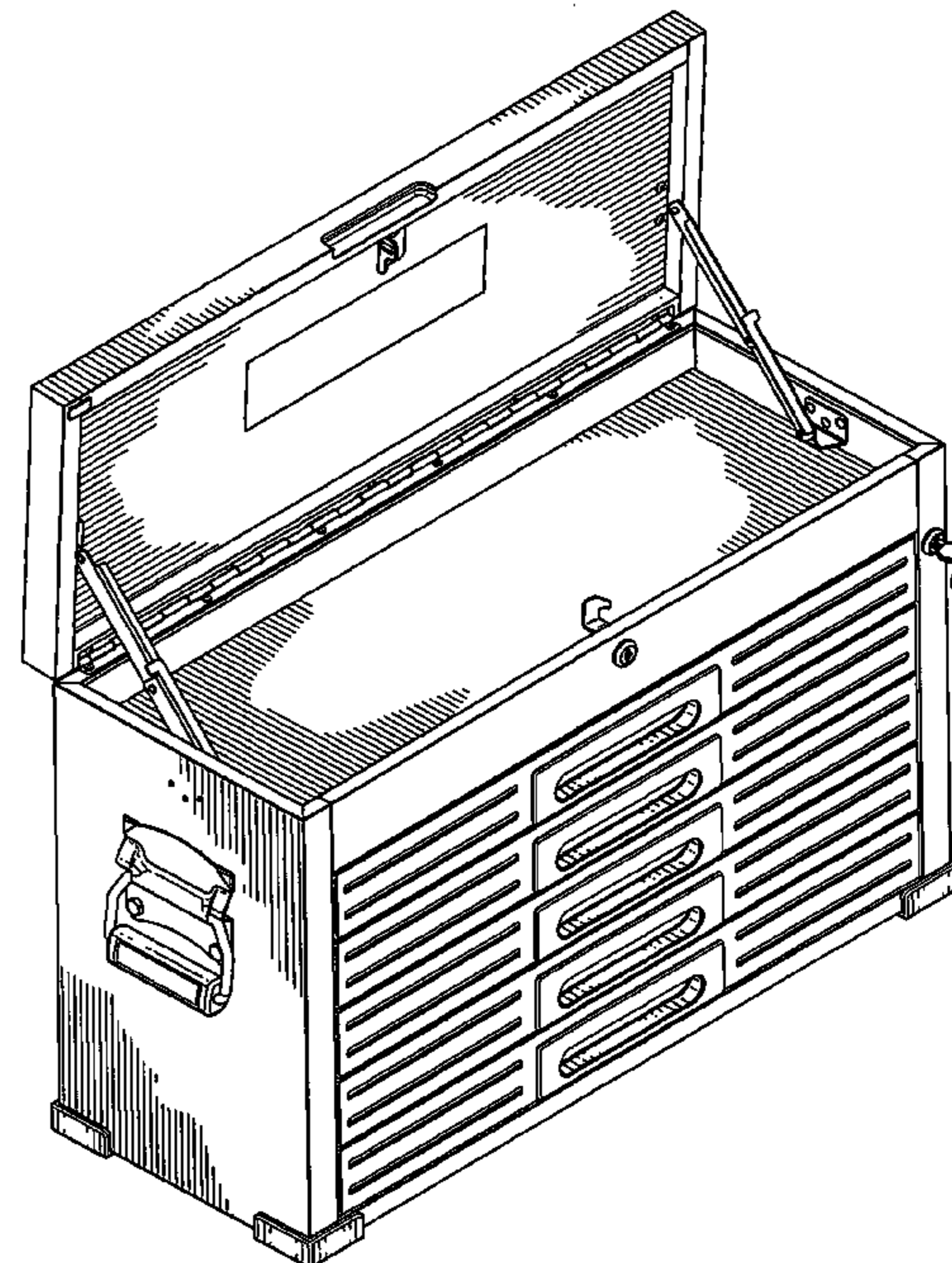
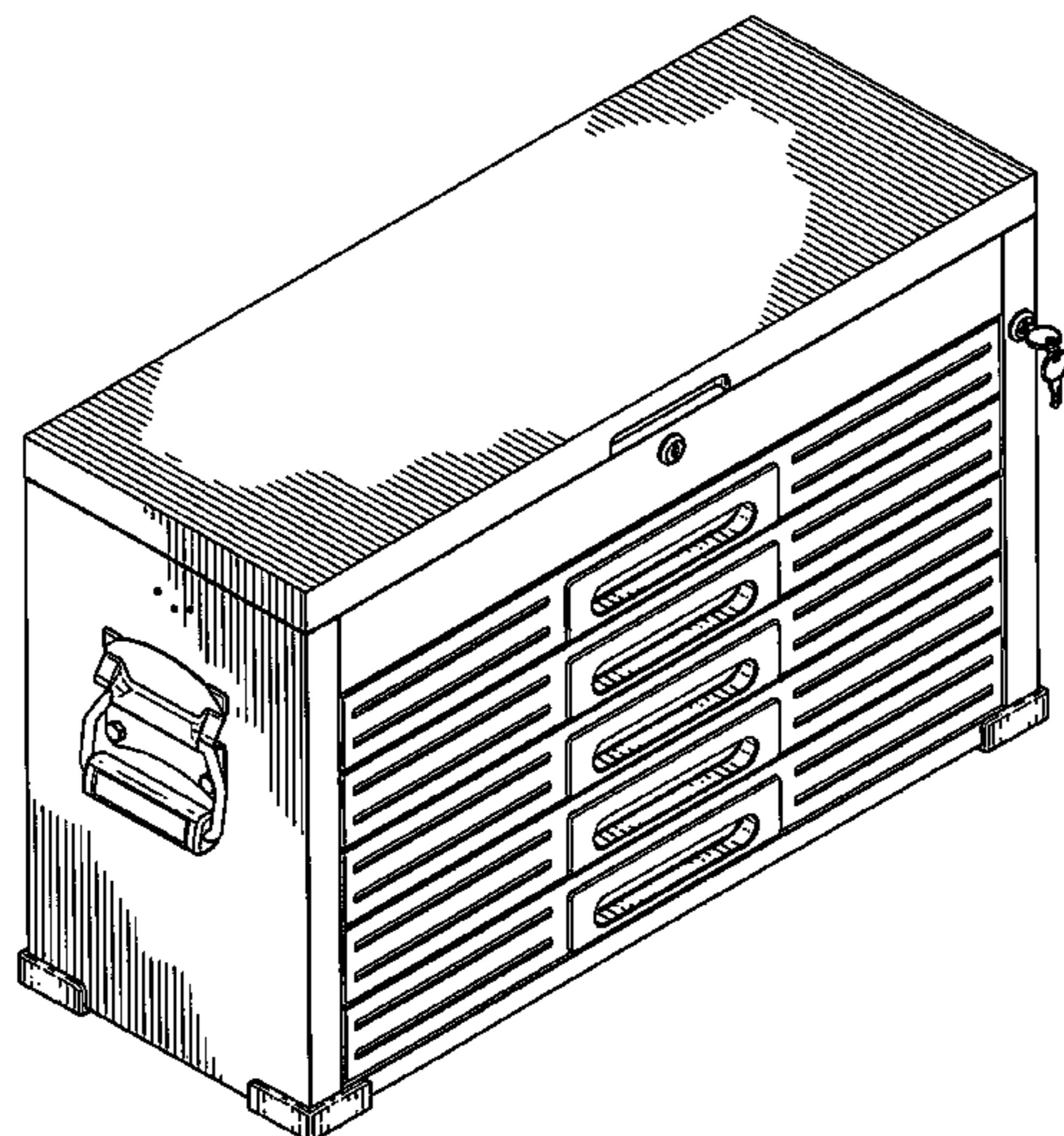
FIG. 5 is a left view thereof;

FIG. 6 is a top view thereof;

FIG. 7 is a bottom view thereof; and,

FIG. 8 is a perspective view with the lid opened.

1 Claim, 5 Drawing Sheets



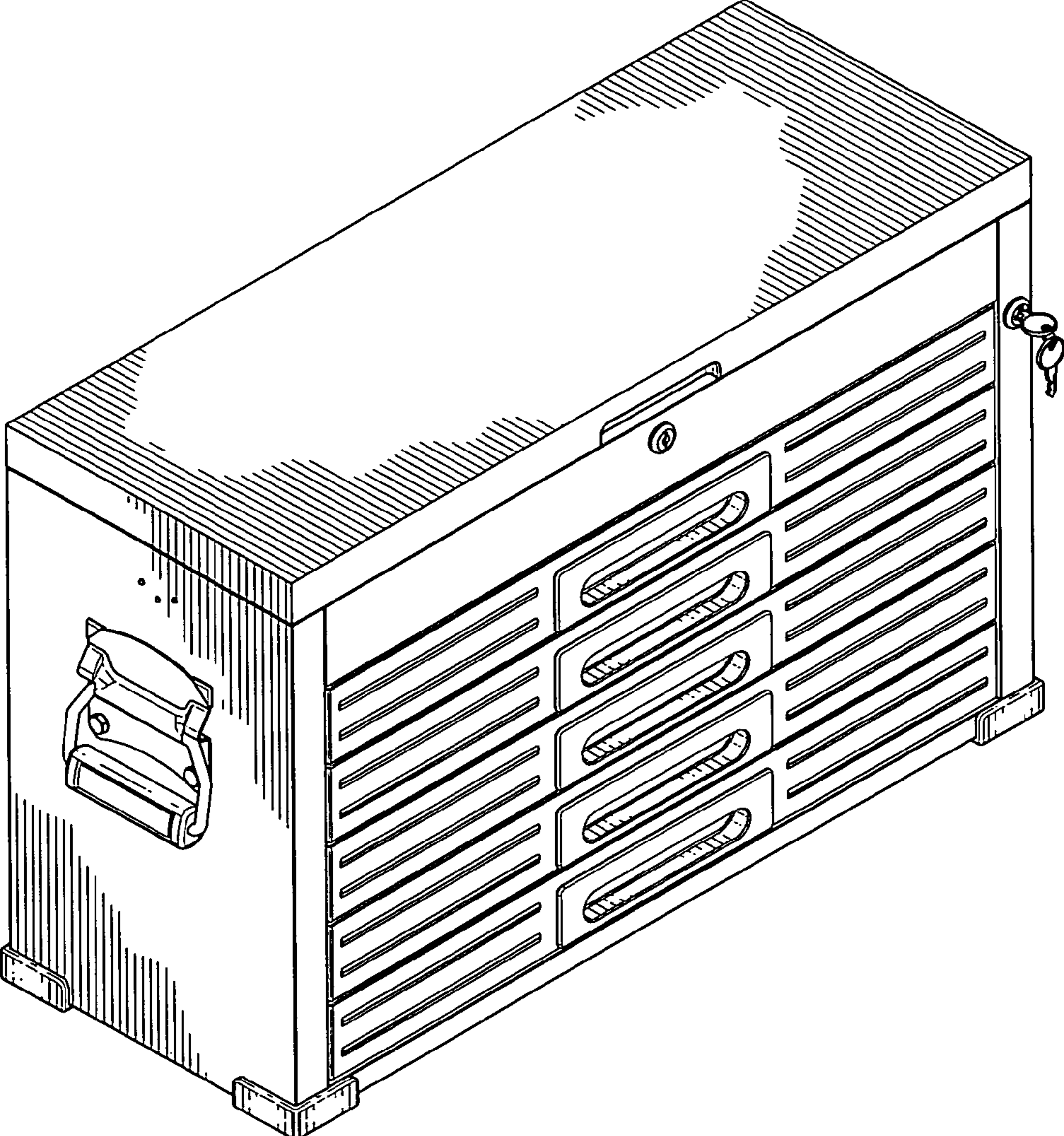


FIG. 1

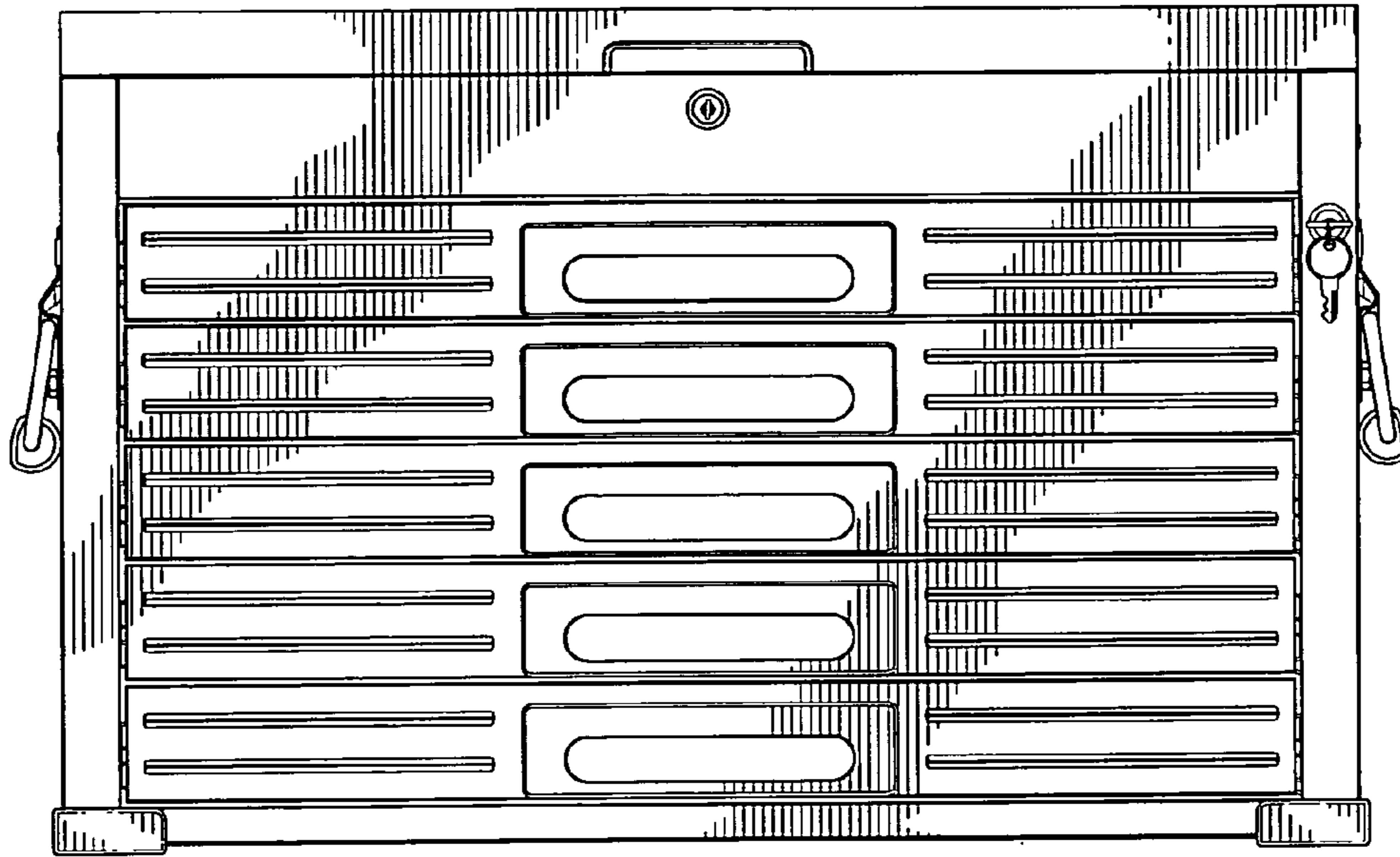


FIG. 2

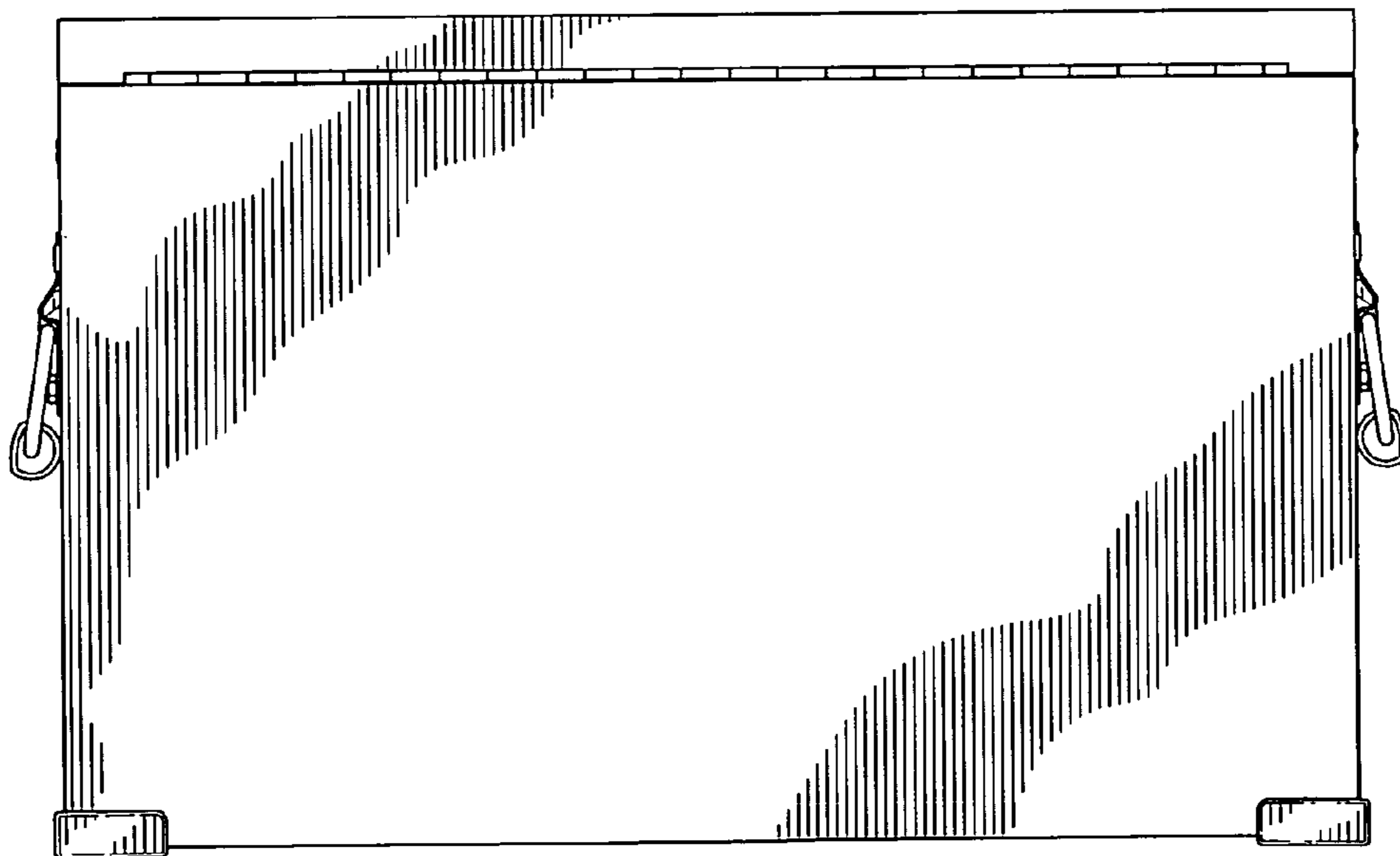


FIG. 3

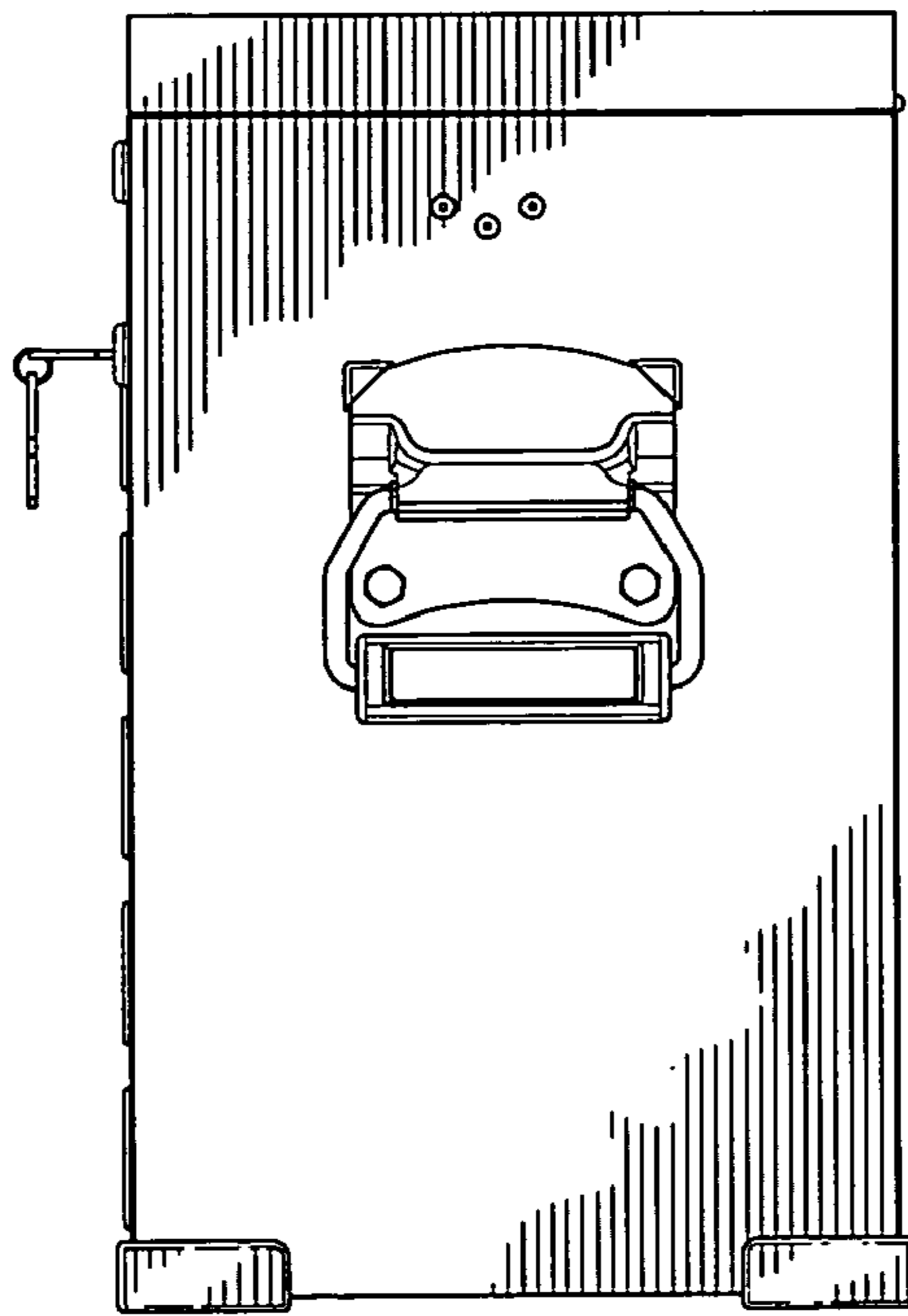


FIG. 4

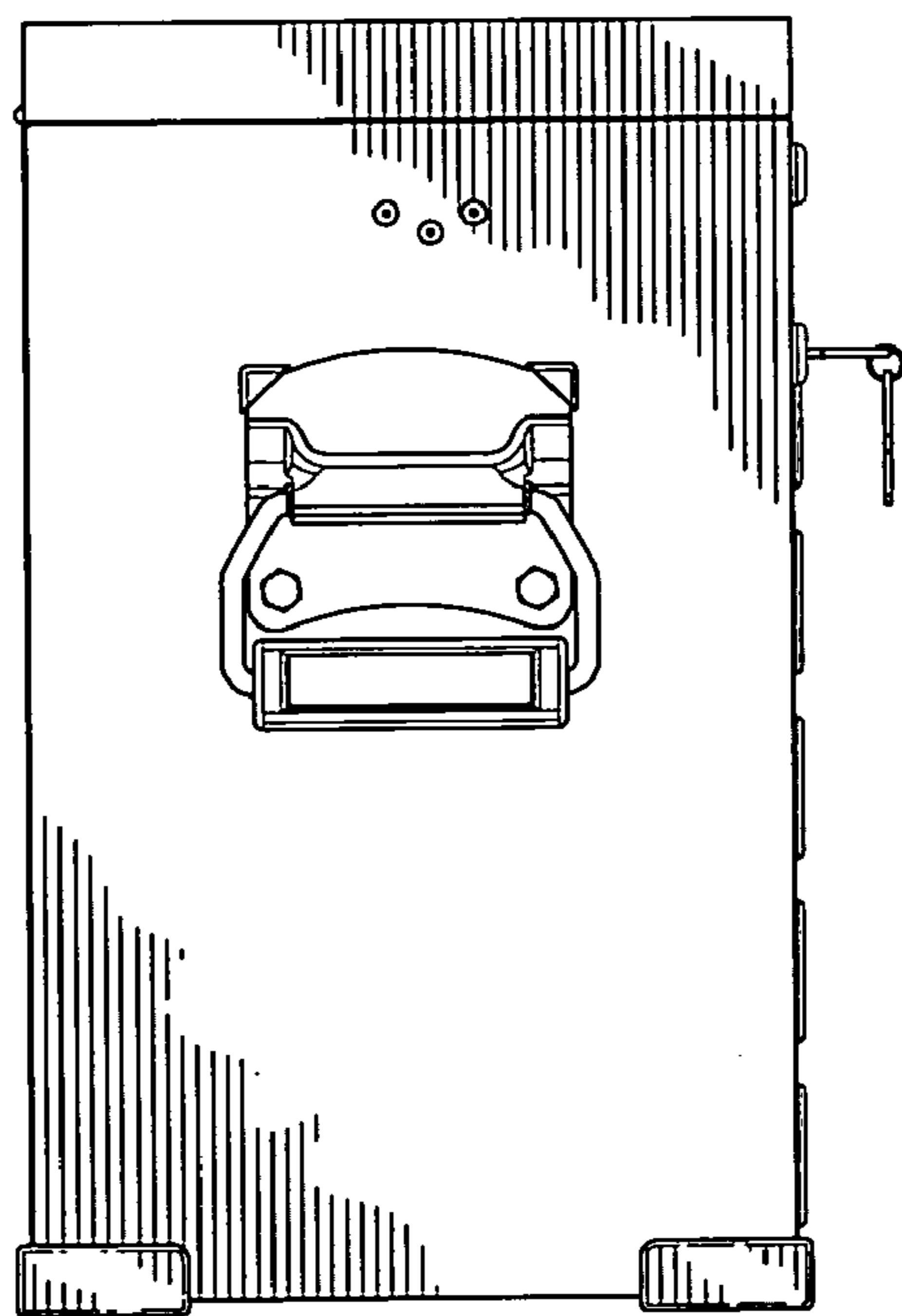


FIG. 5

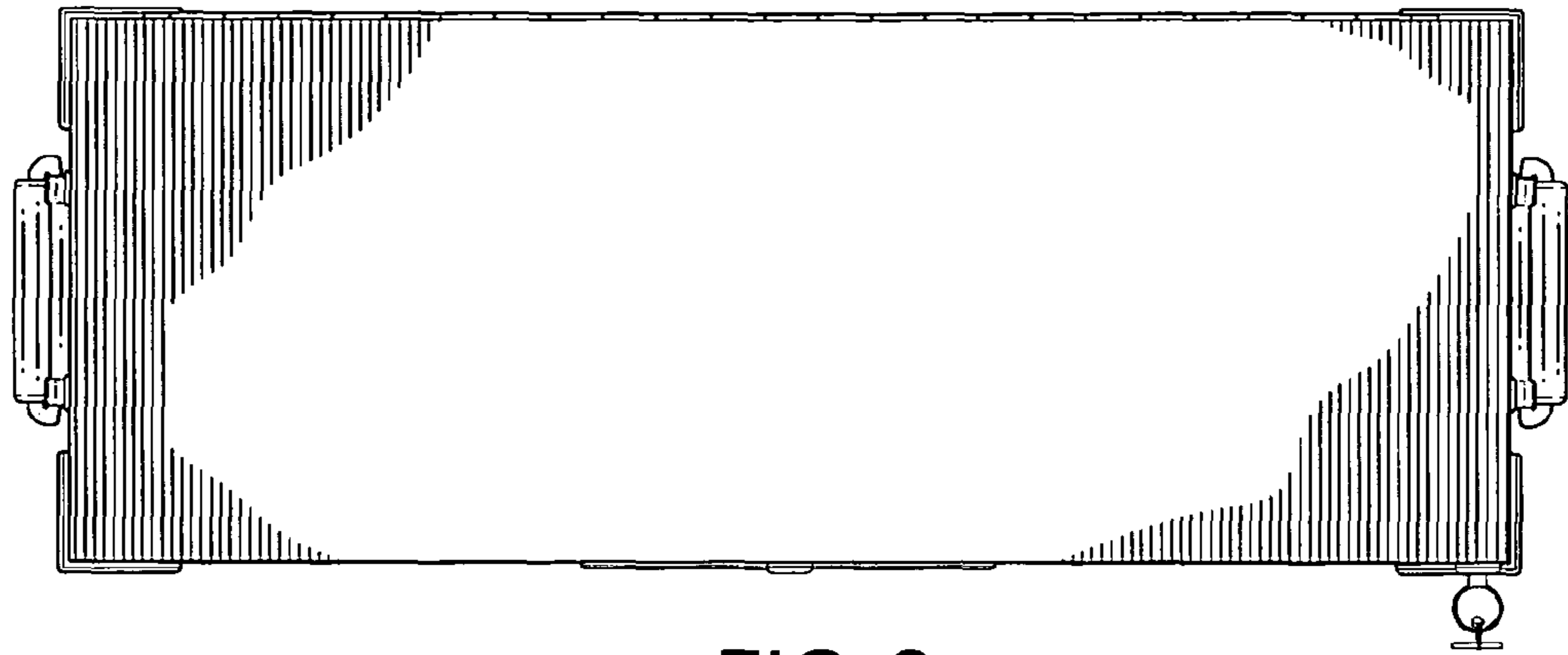


FIG. 6

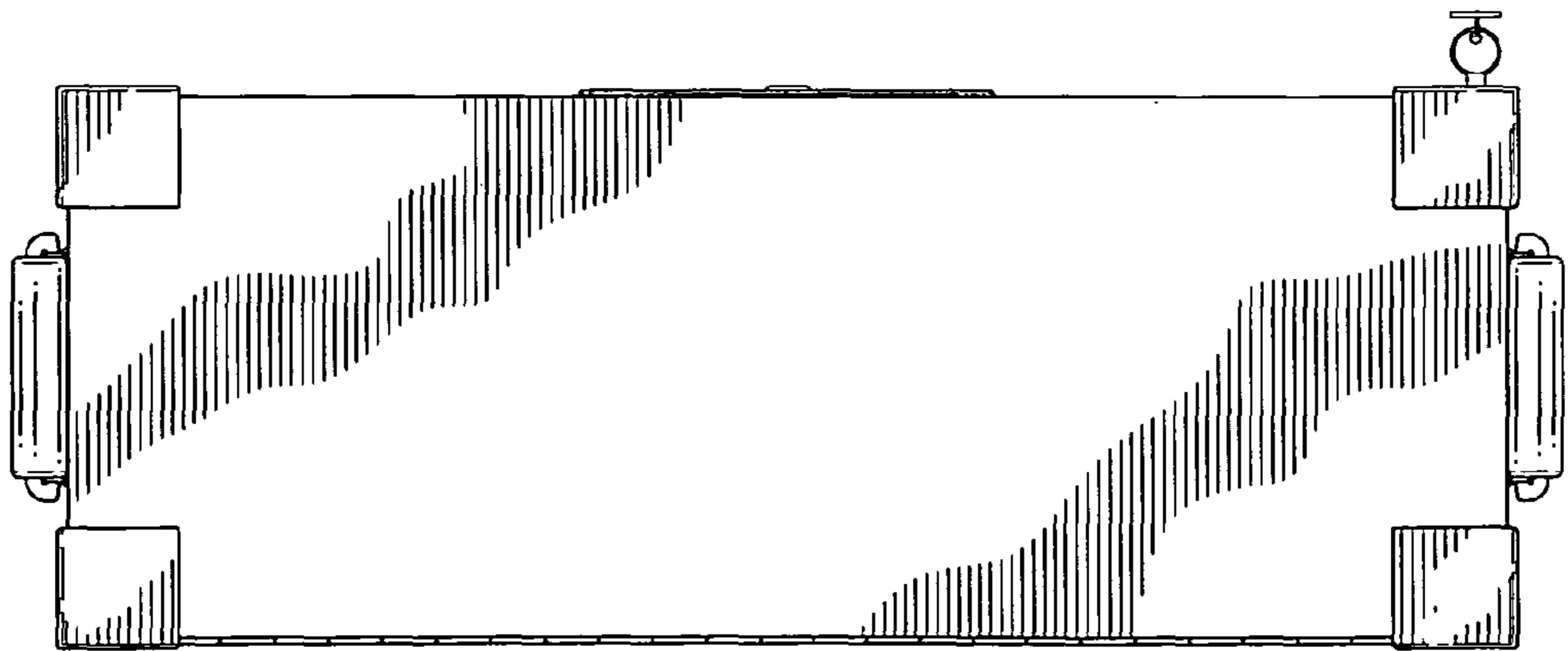


FIG. 7

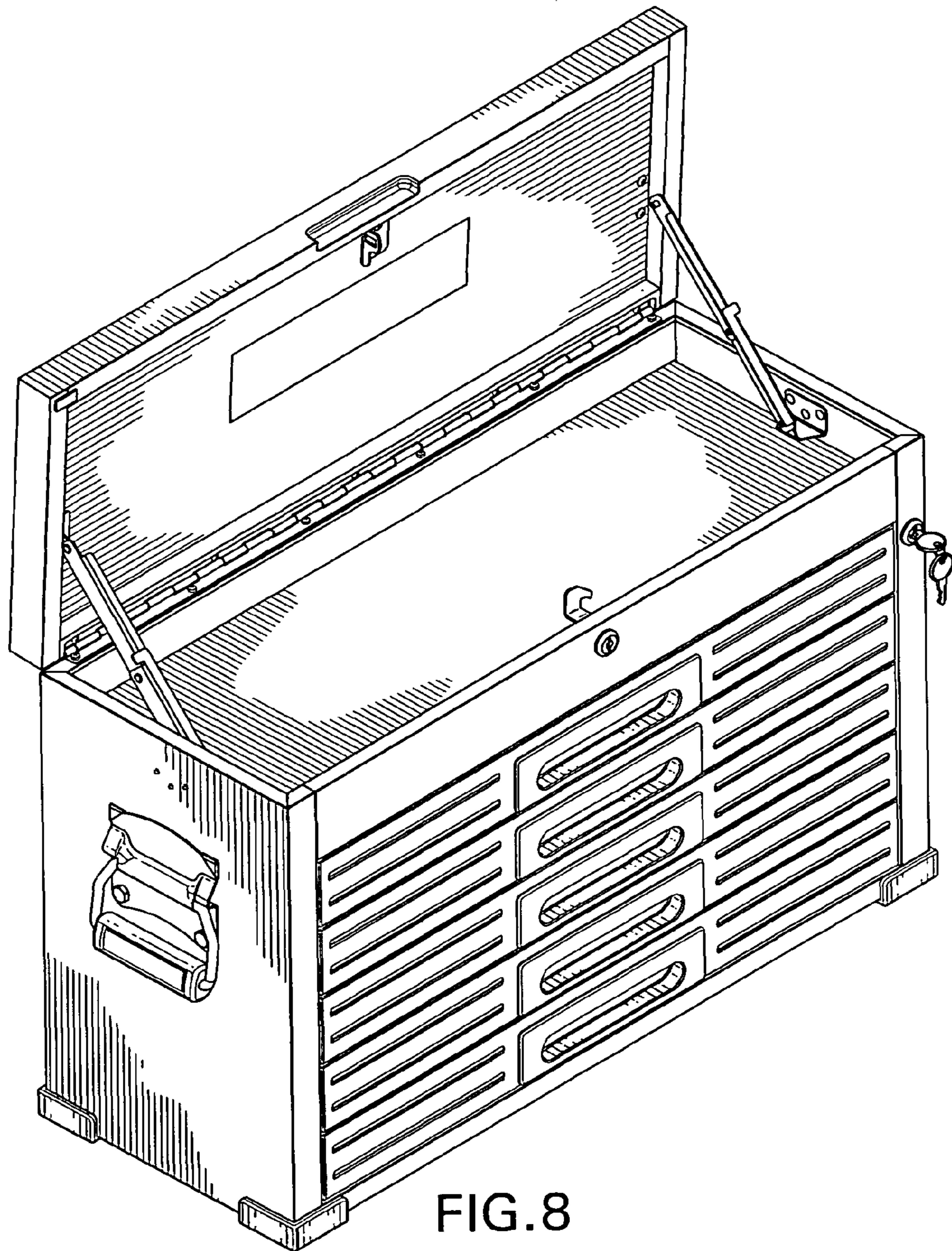


FIG. 8