

US00D668473S

(12) **United States Design Patent**
Sofield

(10) **Patent No.:** **US D668,473 S**

(45) **Date of Patent:** **** Oct. 9, 2012**

(54) **DESK**

(75) Inventor: **William Sofield**, New York, NY (US)

(73) Assignee: **Baker, Knapp & Tubbs, Inc.**, Hickory, NC (US)

(**) Term: **14 Years**

(21) Appl. No.: **29/399,294**

(22) Filed: **Aug. 11, 2011**

Related U.S. Application Data

(62) Division of application No. 29/345,533, filed on Oct. 16, 2009, now Pat. No. Des. 659,435.

(51) **LOC (9) Cl.** **06-03**

(52) **U.S. Cl.** **D6/422**

(58) **Field of Classification Search** D6/421-427;
312/194-196, 208.1, 239; 108/50.01, 50.02
See application file for complete search history.

(56) **References Cited**

U.S. PATENT DOCUMENTS

2,259,145 A * 10/1941 Waldo 312/195
2,387,506 A * 10/1945 Freeman 312/195

D223,371 S * 4/1972 Allen D6/422
D241,898 S * 10/1976 Schwabisch D6/422
D260,834 S * 9/1981 Platner D6/422
D330,125 S * 10/1992 Barfield D6/426
D559,580 S * 1/2008 Newhouse et al. D6/422

* cited by examiner

Primary Examiner — Janice Seeger

(74) *Attorney, Agent, or Firm* — Merchant & Gould PC

(57) **CLAIM**

The ornamental design for a desk, as shown and described.

DESCRIPTION

FIG. 1 is a front perspective view of a desk showing my new design;

FIG. 2 is a rear perspective view thereof;

FIG. 3 is a front elevational view thereof;

FIG. 4 is a right side elevational view thereof, a left side elevational view not being shown as it is a mirror image of the right side elevational view; and,

FIG. 5 is a top plan view thereof.

The broken lines are for environmental purposes only and form no part of the claimed design.

1 Claim, 5 Drawing Sheets

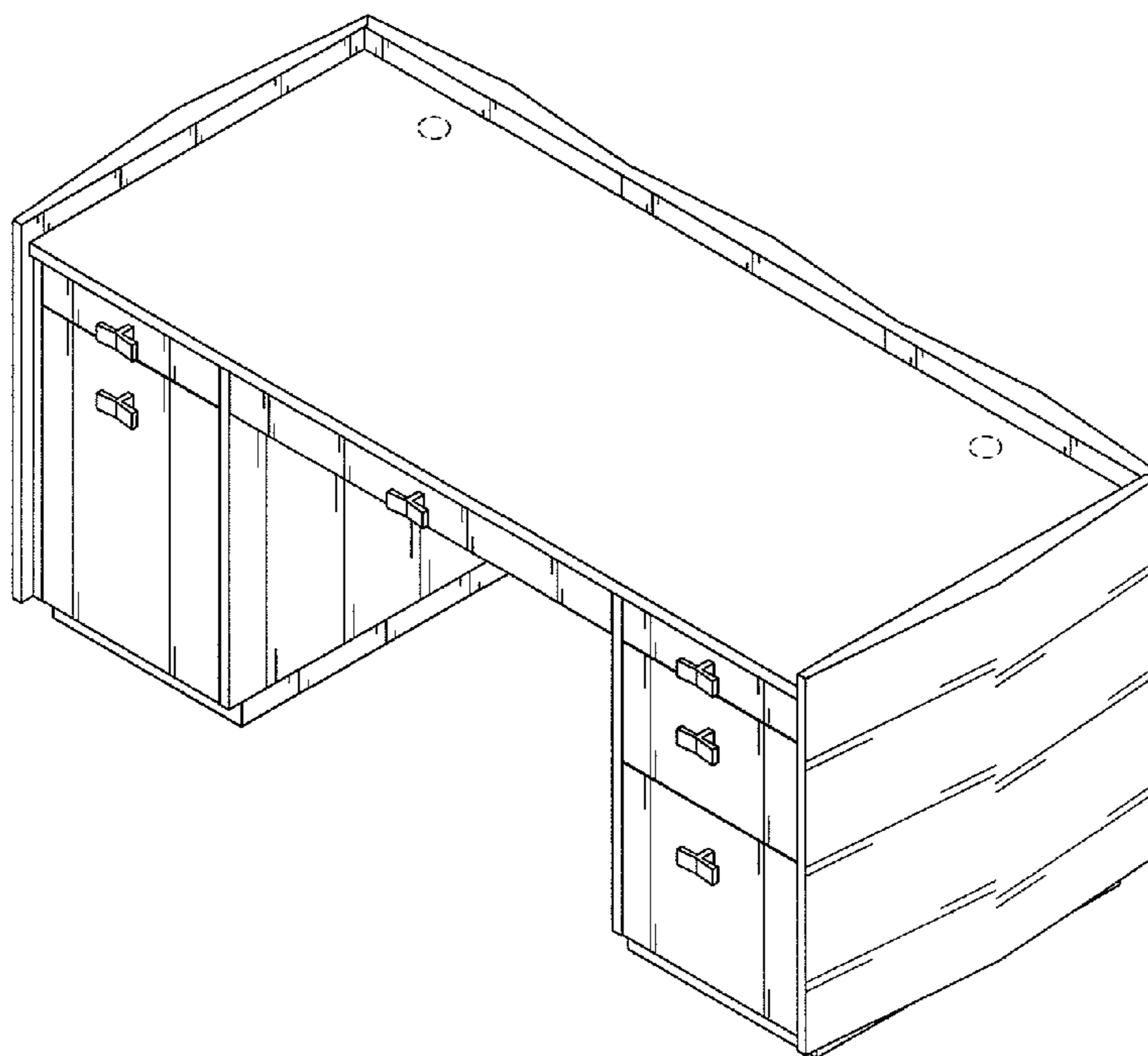


FIG. 1

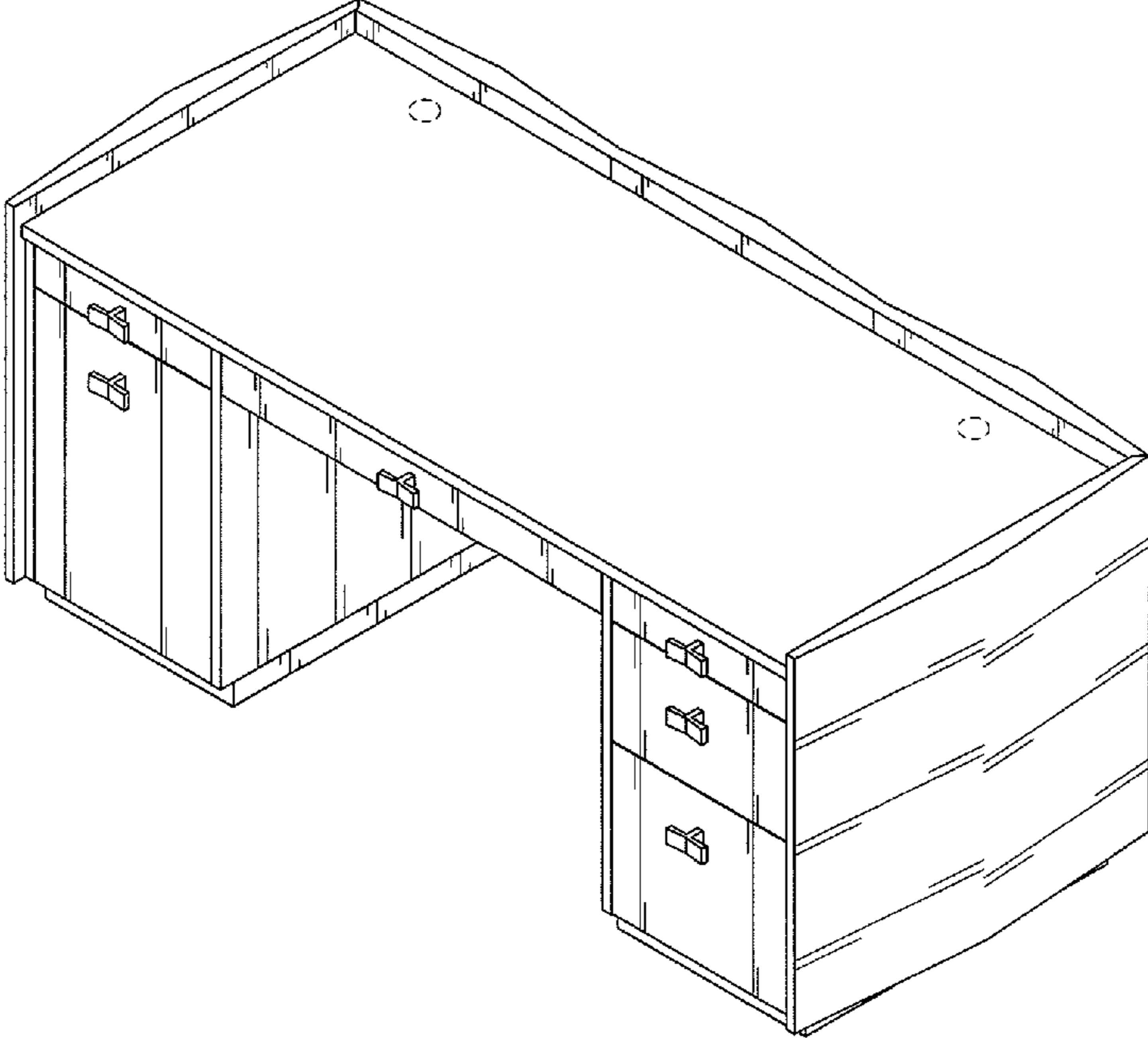


FIG. 2

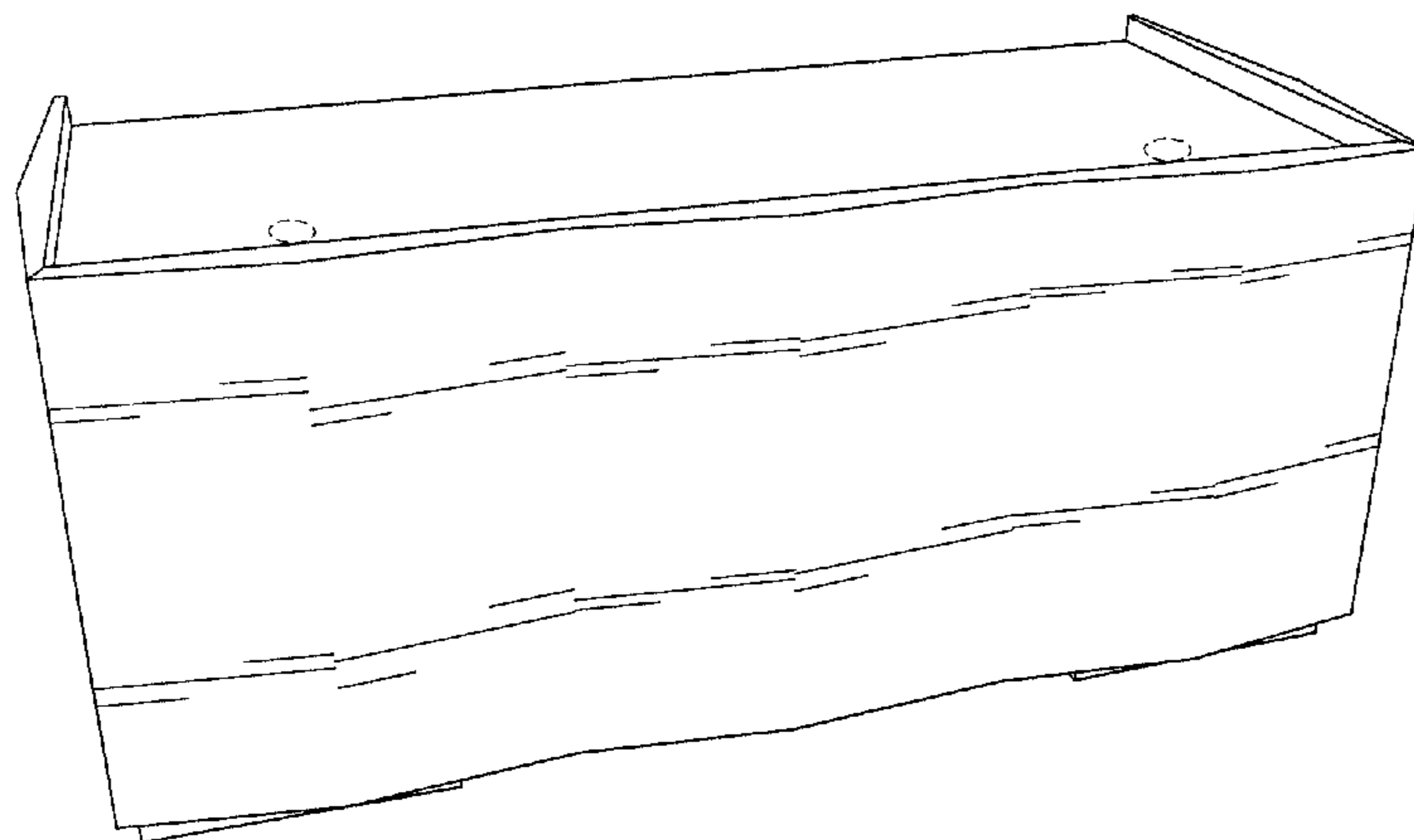


FIG. 3

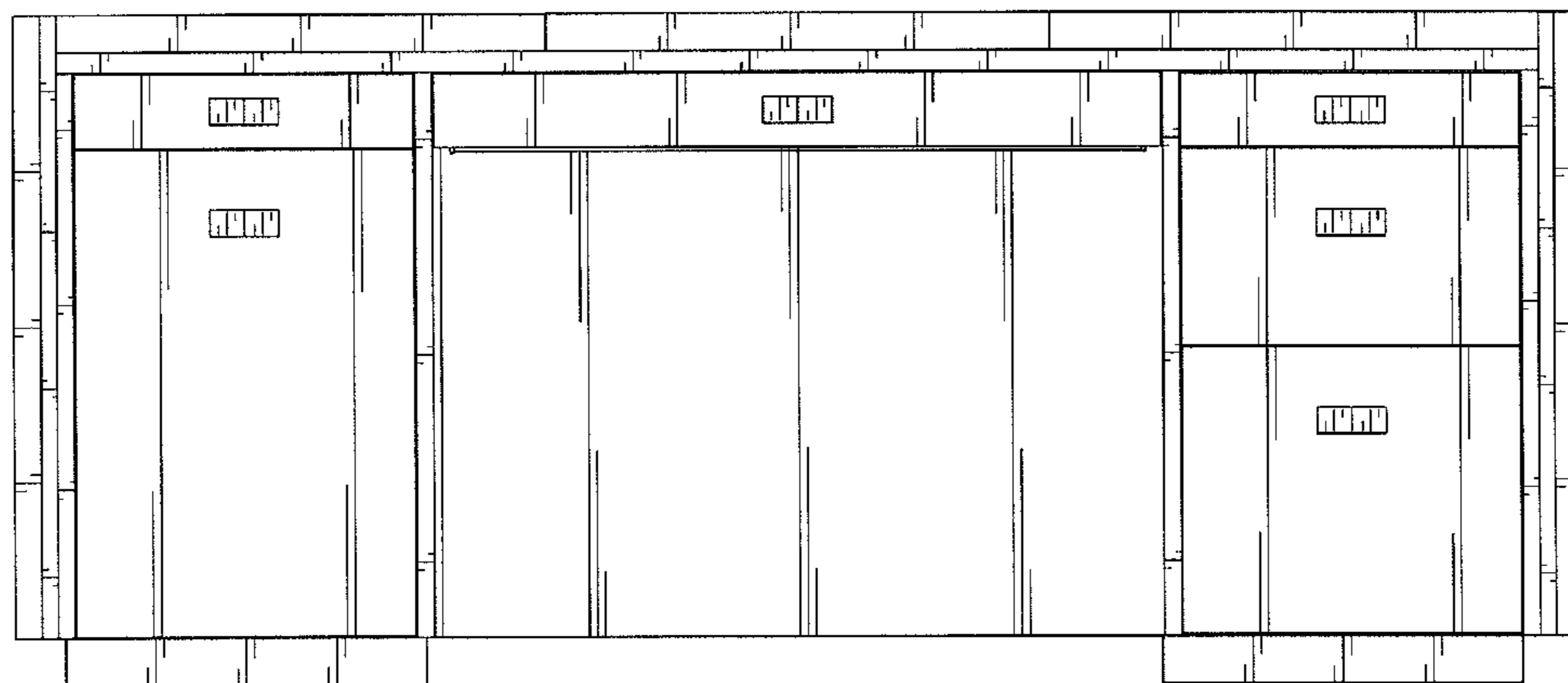


FIG. 4

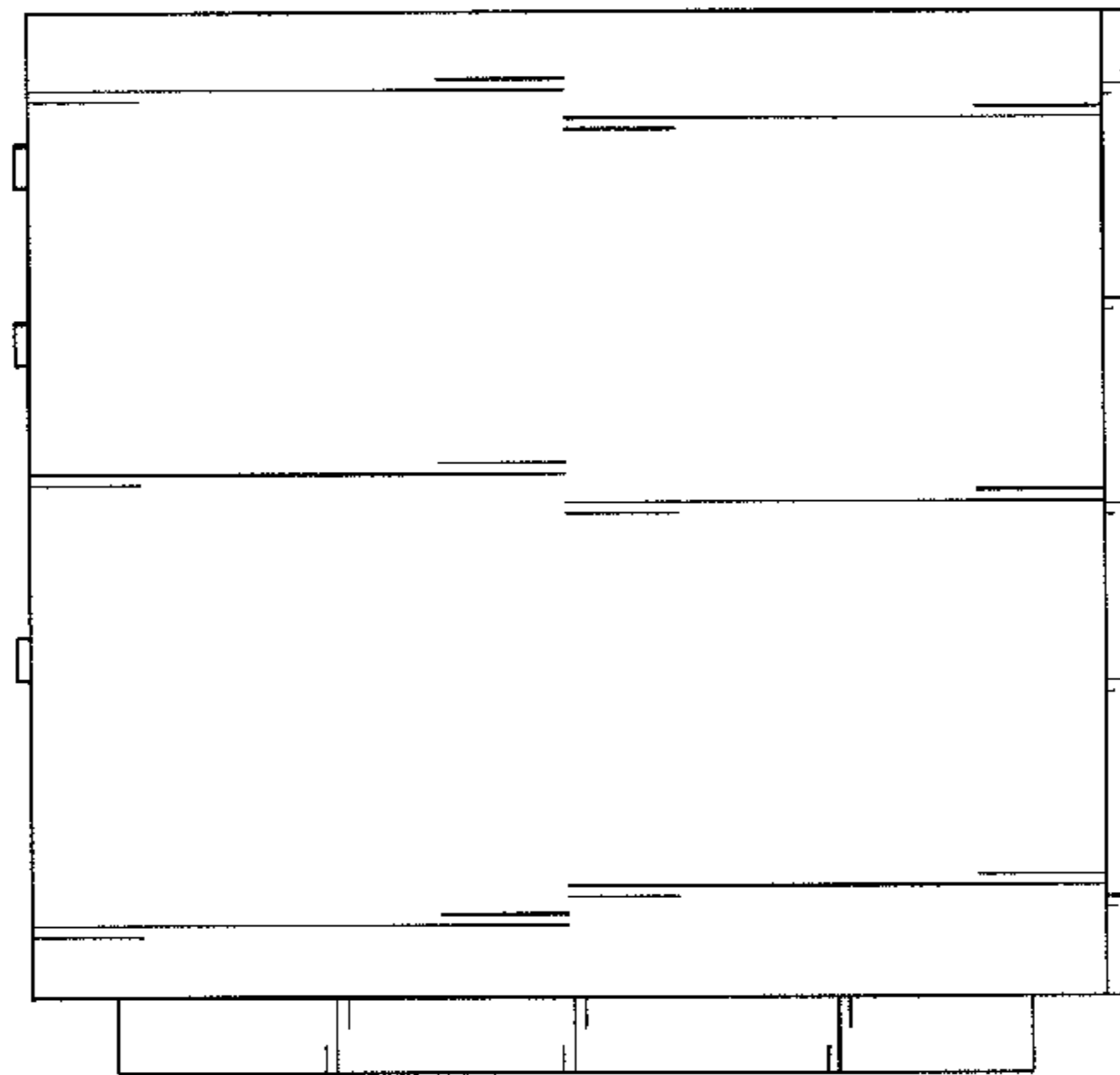


FIG. 5

