



US00D668472S

(12) **United States Design Patent**  
**Wong**

(10) **Patent No.:** **US D668,472 S**

(45) **Date of Patent:** **\*\* Oct. 9, 2012**

(54) **ERGONOMIC TRAY**

(76) Inventor: **Ryan Wong**, Brookline, MA (US)

(\*\*) Term: **14 Years**

(21) Appl. No.: **29/399,266**

(22) Filed: **Aug. 11, 2011**

**Related U.S. Application Data**

(63) Continuation-in-part of application No. 29/368,129, filed on Aug. 18, 2010, now abandoned, which is a continuation-in-part of application No. 11/978,027, filed on Oct. 29, 2007, now abandoned.

(51) **LOC (9) Cl.** ..... **06-06**

(52) **U.S. Cl.** ..... **D6/406.5**

(58) **Field of Classification Search** ..... D6/406.1, D6/406.2, 406.3, 406.5, 406.6, 480, 484, D6/485, 426, 429, 451, 489, 510, 511; D7/552.1, D7/552.2, 554.3, 550.1; 211/133.1, 126.1; 108/43, 15.1; 248/188, 188.1, 188.8  
See application file for complete search history.

(56) **References Cited**

**U.S. PATENT DOCUMENTS**

D152,153	S	*	12/1948	Harvey	.....	D6/349
4,972,781	A	*	11/1990	Montgomery et al.	.....	108/25
D358,511	S	*	5/1995	Frahm	.....	D6/484
D360,776	S	*	8/1995	Blue	.....	D6/406.6
D390,718	S	*	2/1998	Howland et al.	.....	D6/406.6
D406,964	S	*	3/1999	Lewis	.....	D6/485
6,044,758	A	*	4/2000	Drake	.....	100/43

D454,573	S	*	3/2002	Richter	.....	D14/457
D456,643	S	*	5/2002	Harner	.....	D6/480
D460,080	S	*	7/2002	Richter	.....	D14/457
D505,803	S	*	6/2005	Mason	.....	D6/406.6
D539,569	S	*	4/2007	Lewis	.....	D6/484
D543,214	S	*	5/2007	Stewart et al.	.....	D14/460
D545,601	S	*	7/2007	Yang et al.	.....	D6/525
D588,373	S	*	3/2009	Rushton	.....	D6/406.6
D619,822	S	*	7/2010	Damgaard-Sorensen	..	D6/406.1
D624,335	S	*	9/2010	Lutz et al.	.....	D6/480
D624,922	S	*	10/2010	Hui et al.	.....	D14/447

\* cited by examiner

*Primary Examiner* — Kelley Donnelly

(74) *Attorney, Agent, or Firm* — Bay State IP, LLC

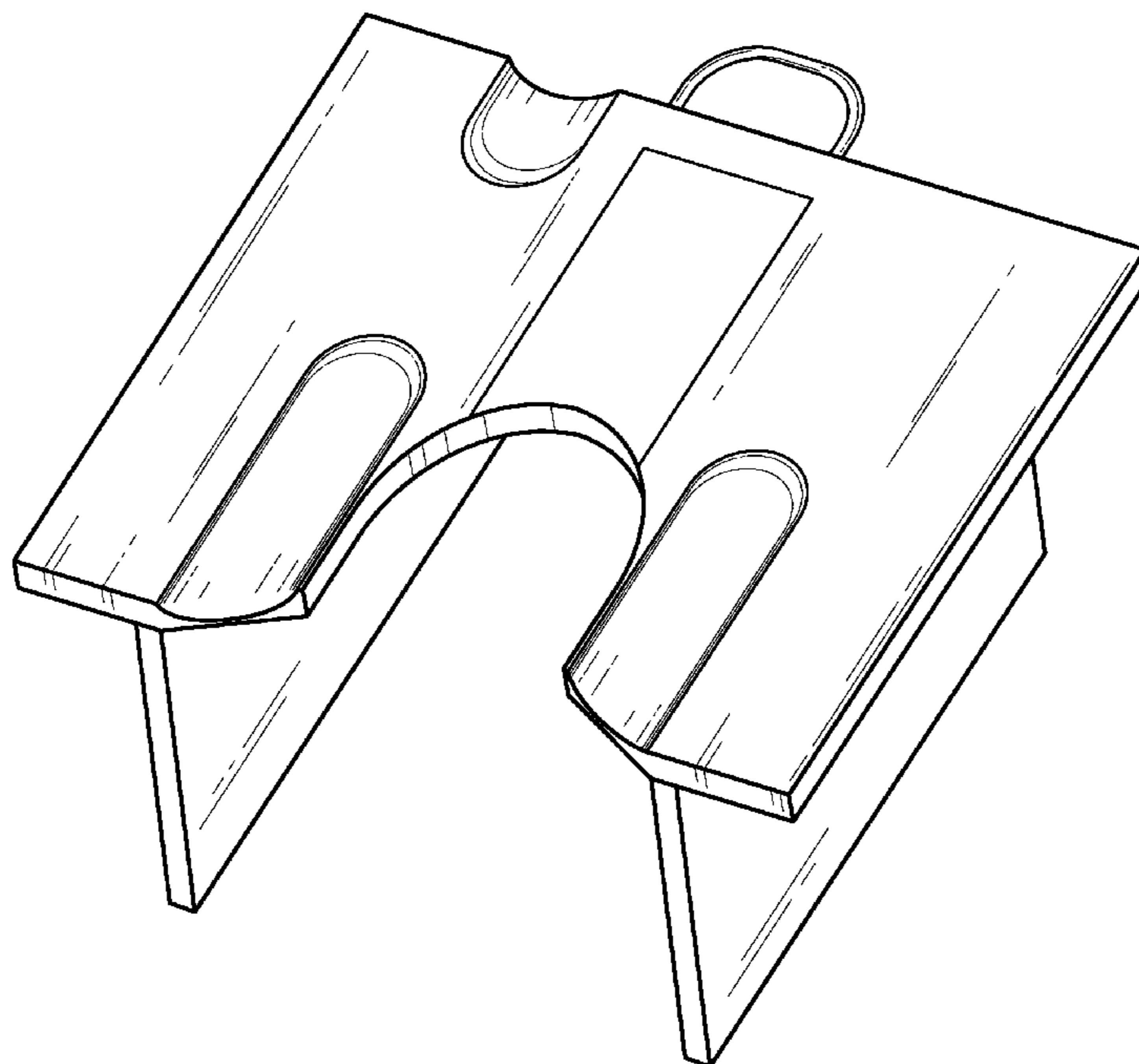
(57) **CLAIM**

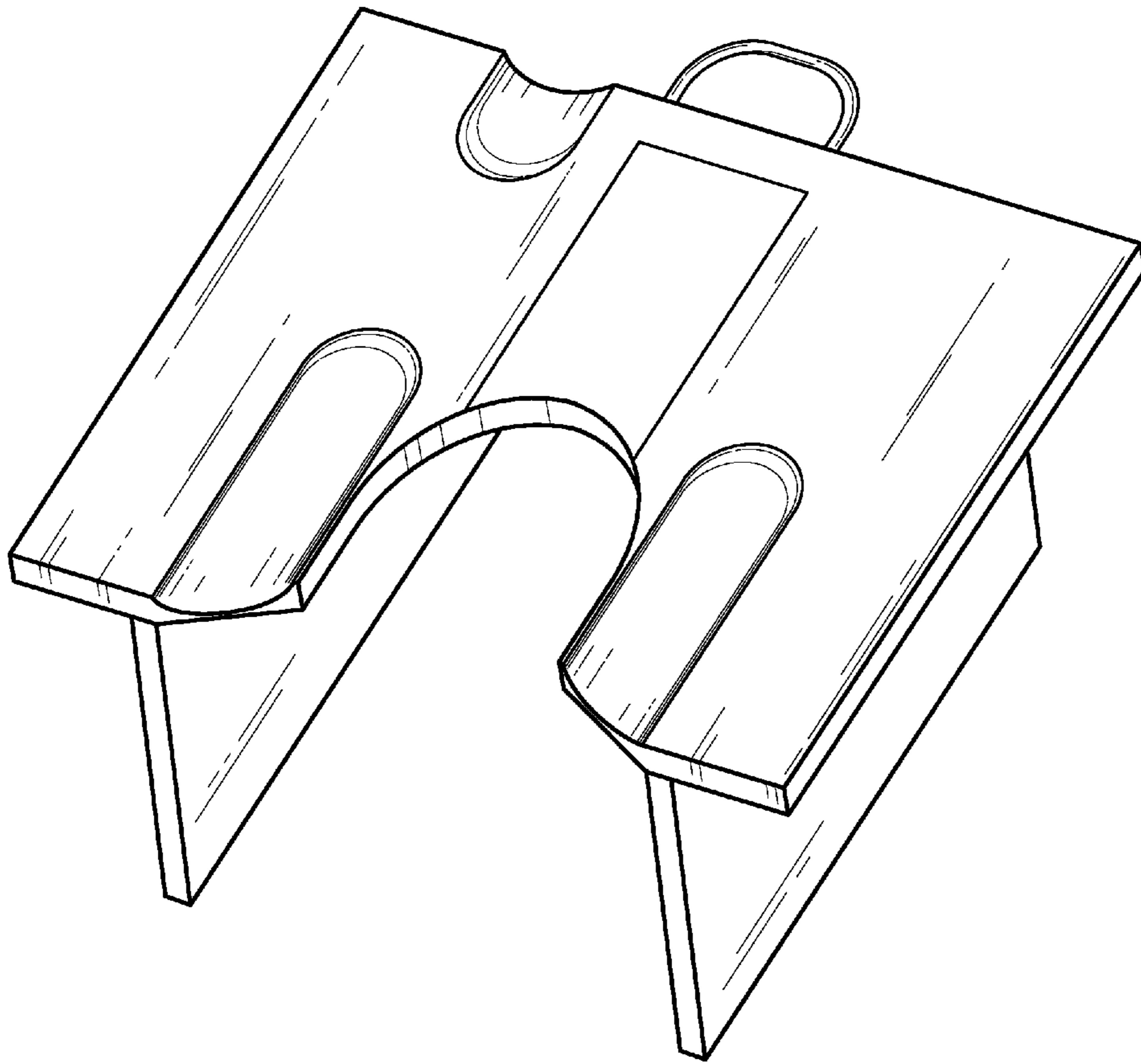
I claim the ornamental design for an ergonomic tray, as shown and described.

**DESCRIPTION**

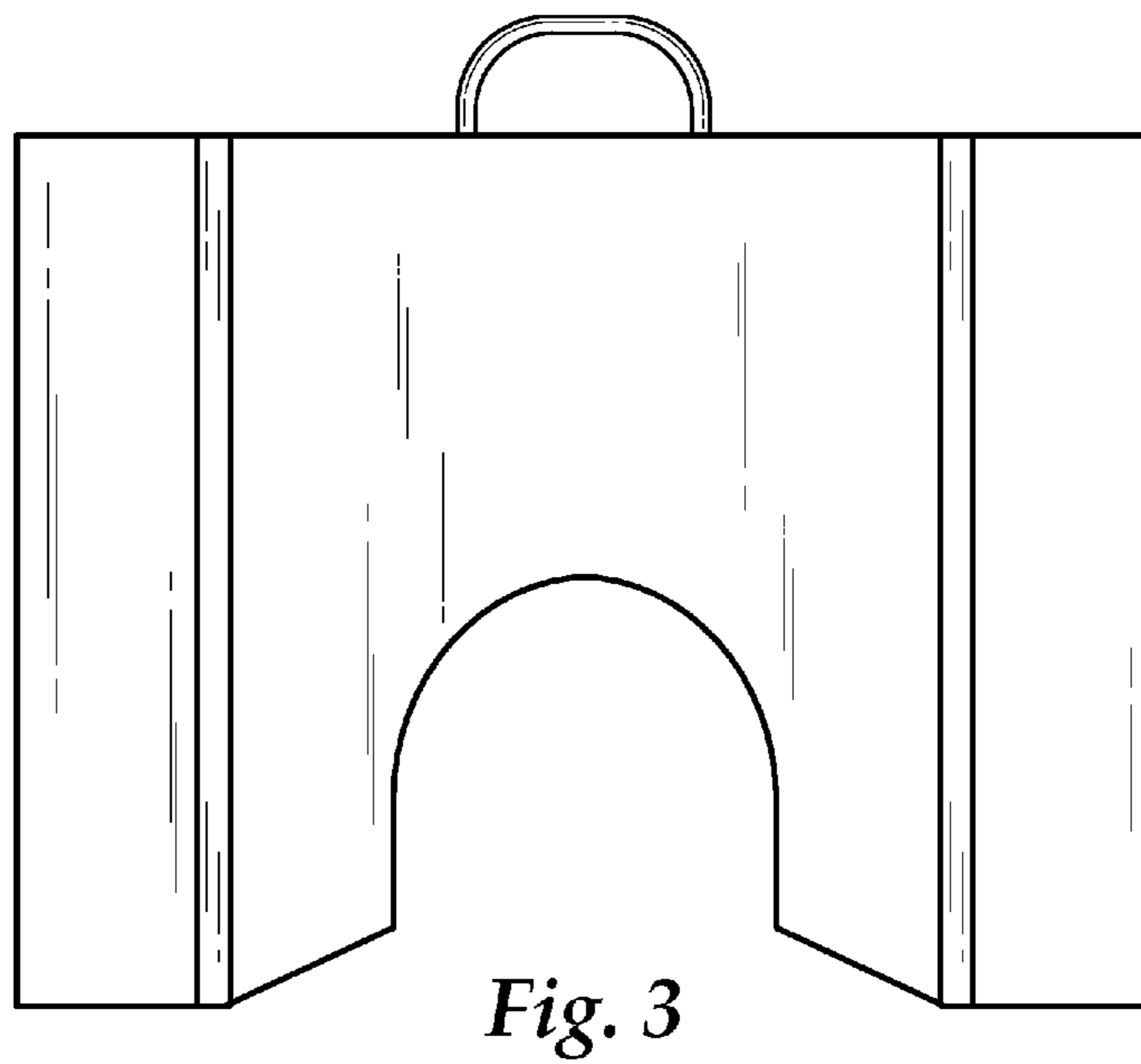
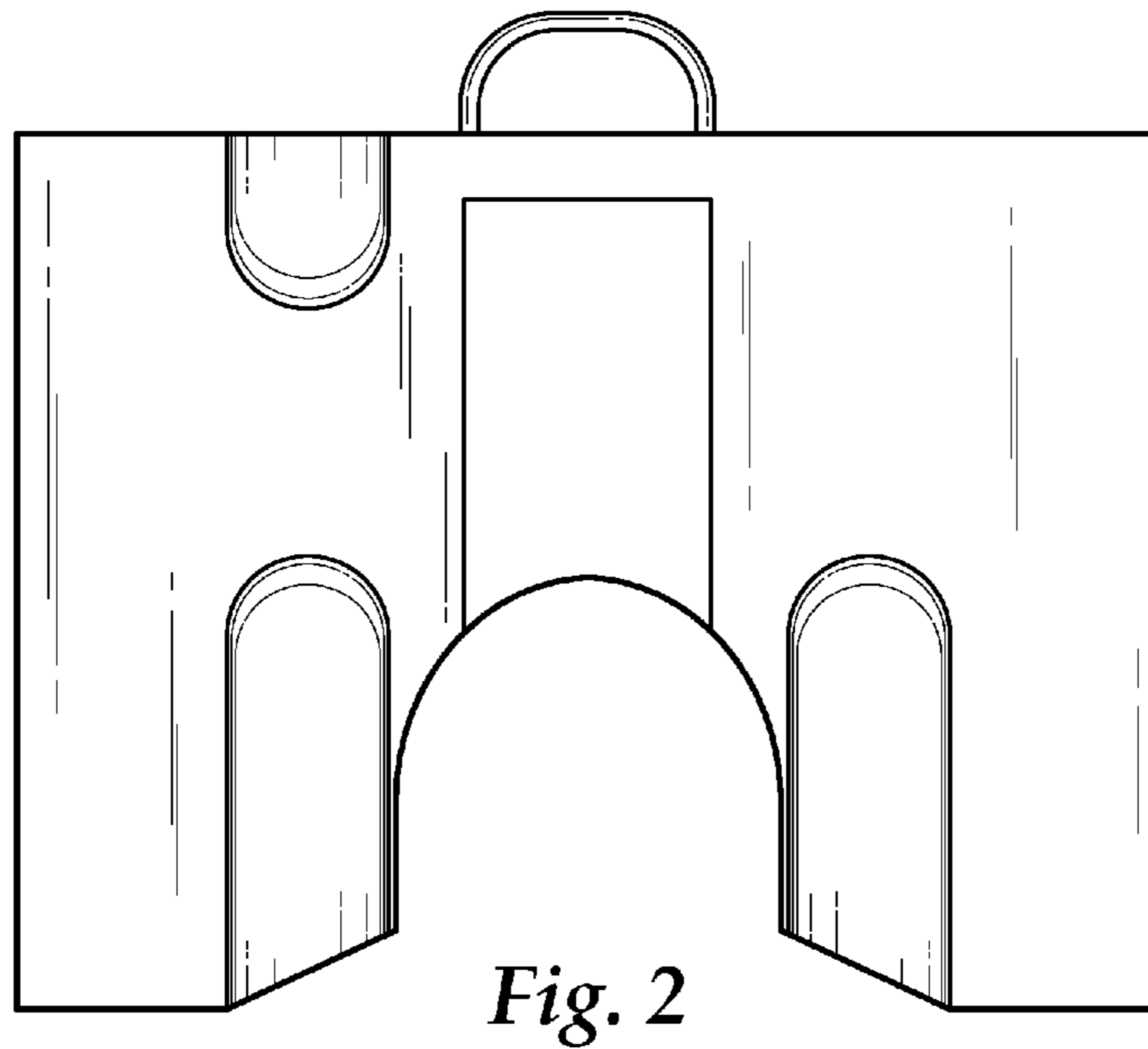
FIG. 1 is an isometric view of the ergonomic tray showing my new design;  
FIG. 2 is a top plan view thereof;  
FIG. 3 is a bottom plan view thereof;  
FIG. 4 is a right side view thereof;  
FIG. 5 is a left side view thereof;  
FIG. 6 is a rear view thereof;  
FIG. 7 is a front view thereof;  
FIG. 8 is a front view shown in environment thereof; and,  
FIG. 9 is a rear view shown in environment thereof.  
The broken lines showing a person and a chair in FIG. 8 and FIG. 9 are included for the purposes of illustrating environment and form no part of the claimed design.

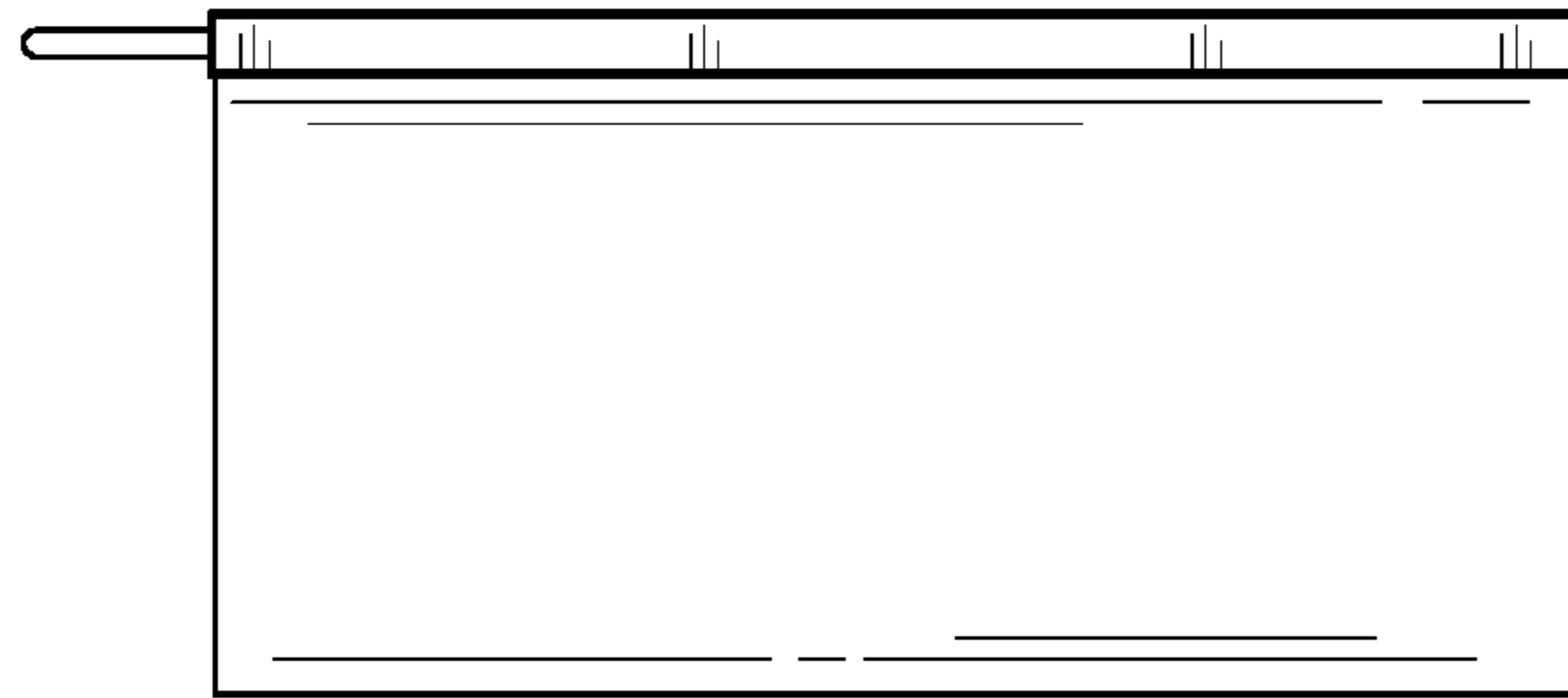
**1 Claim, 5 Drawing Sheets**



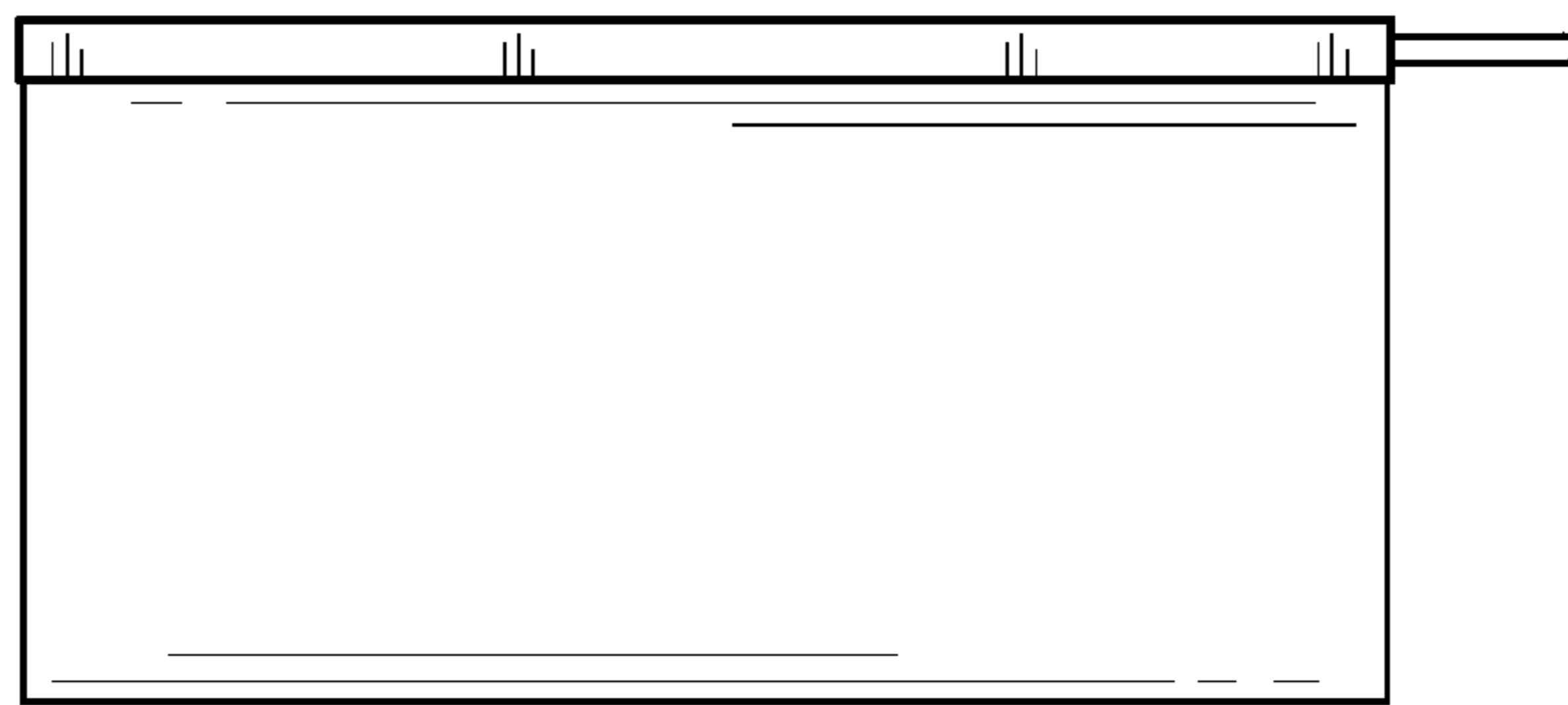


*Fig. 1*

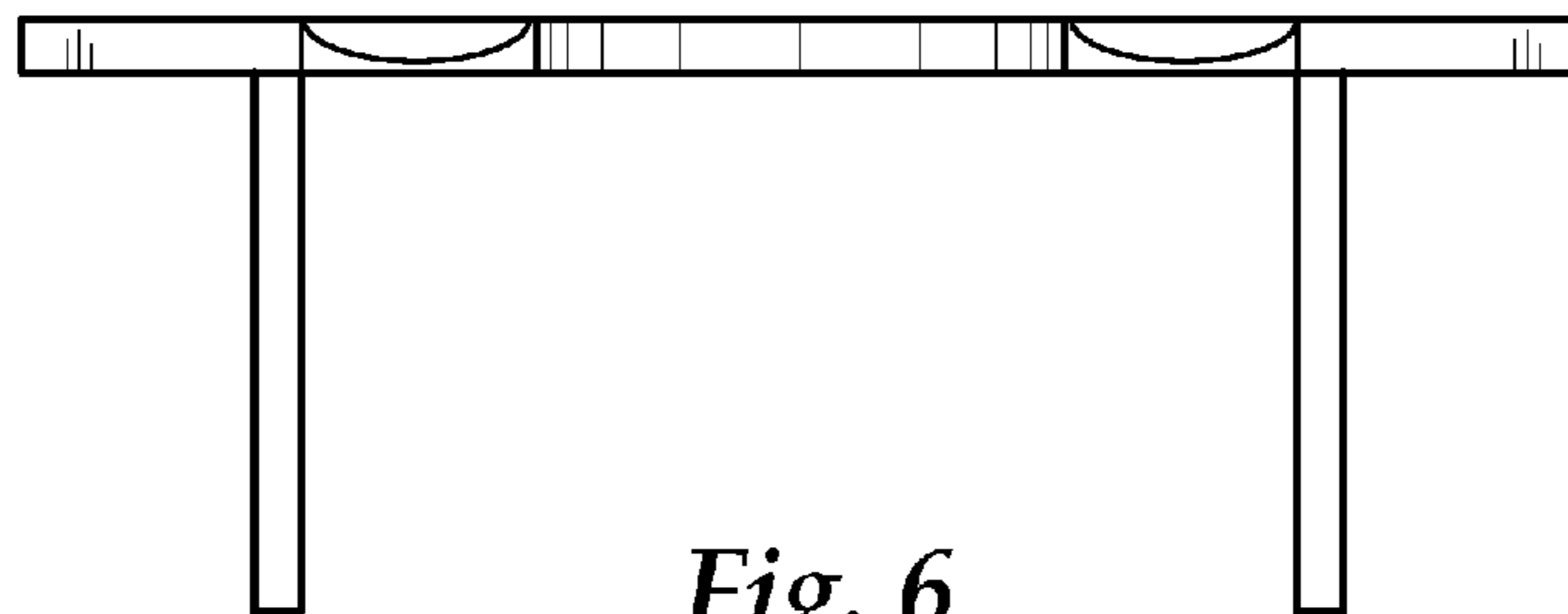




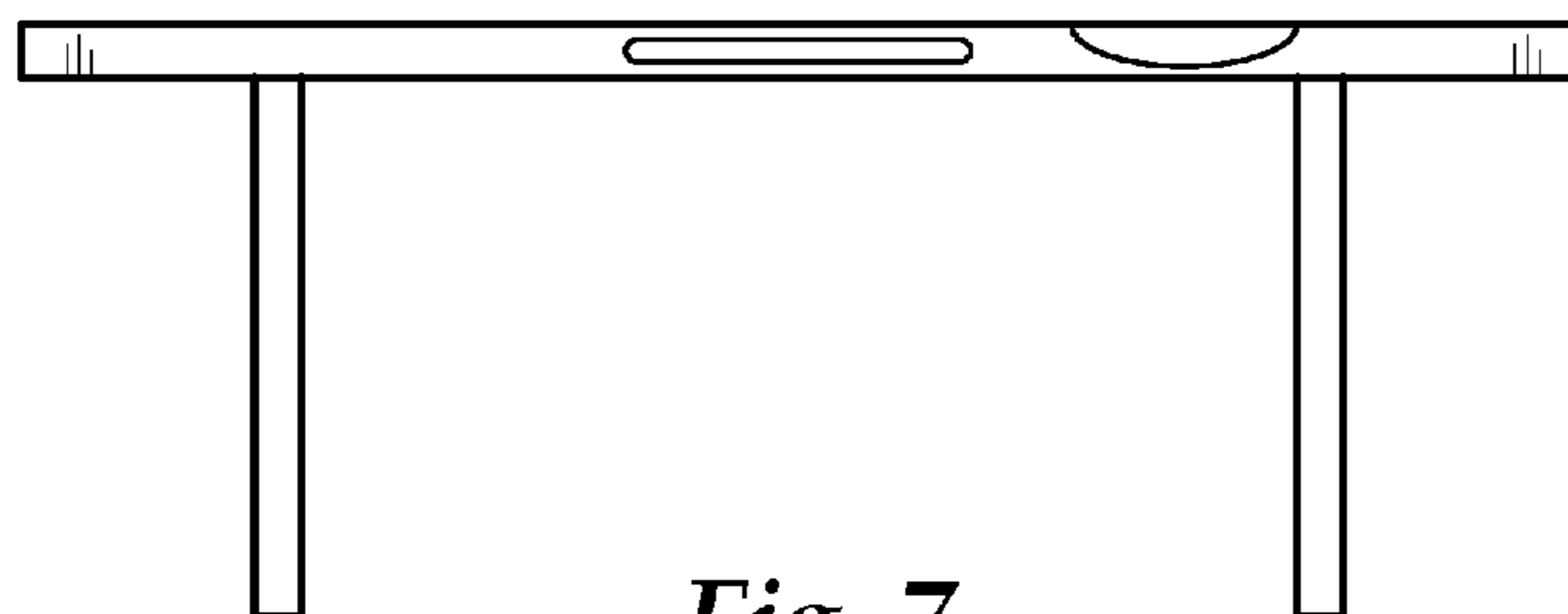
*Fig. 4*



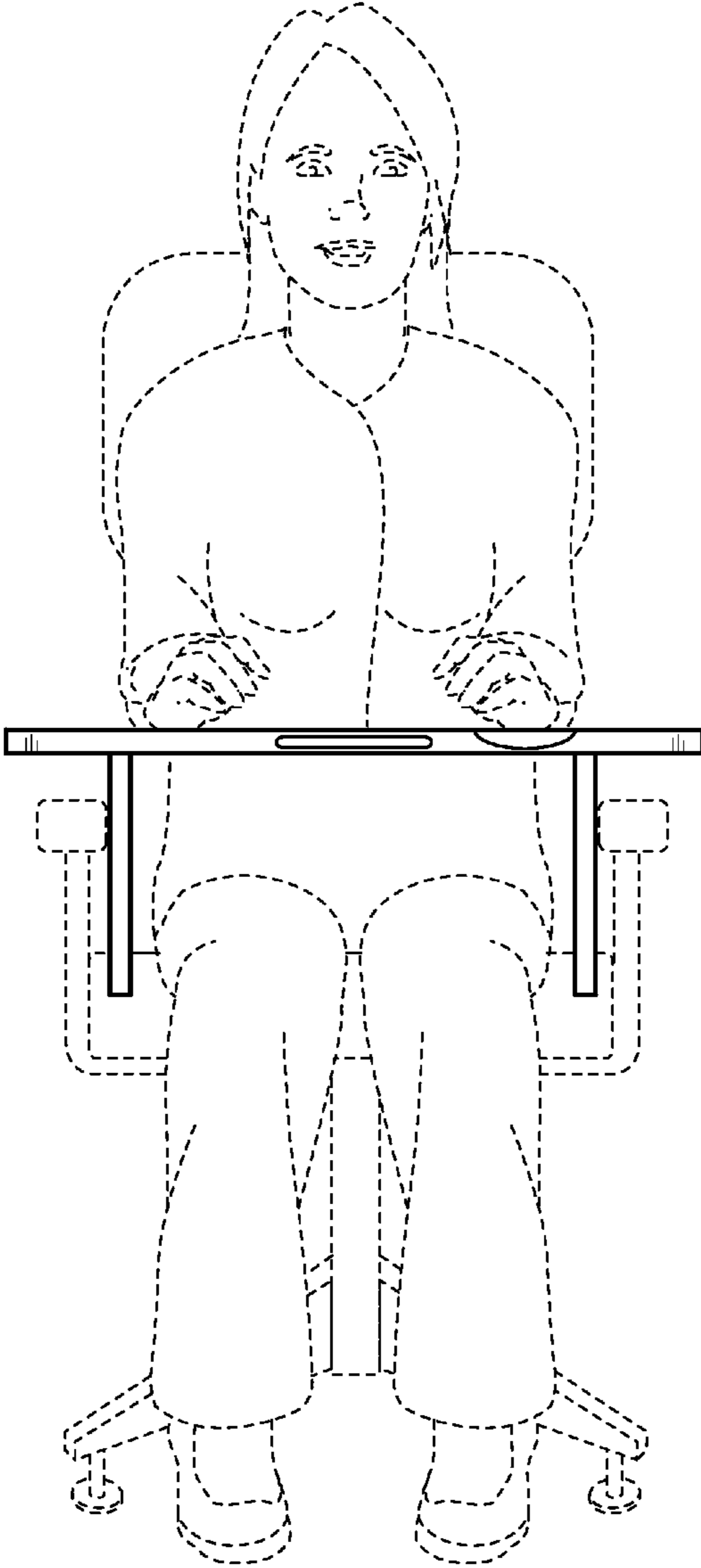
*Fig. 5*



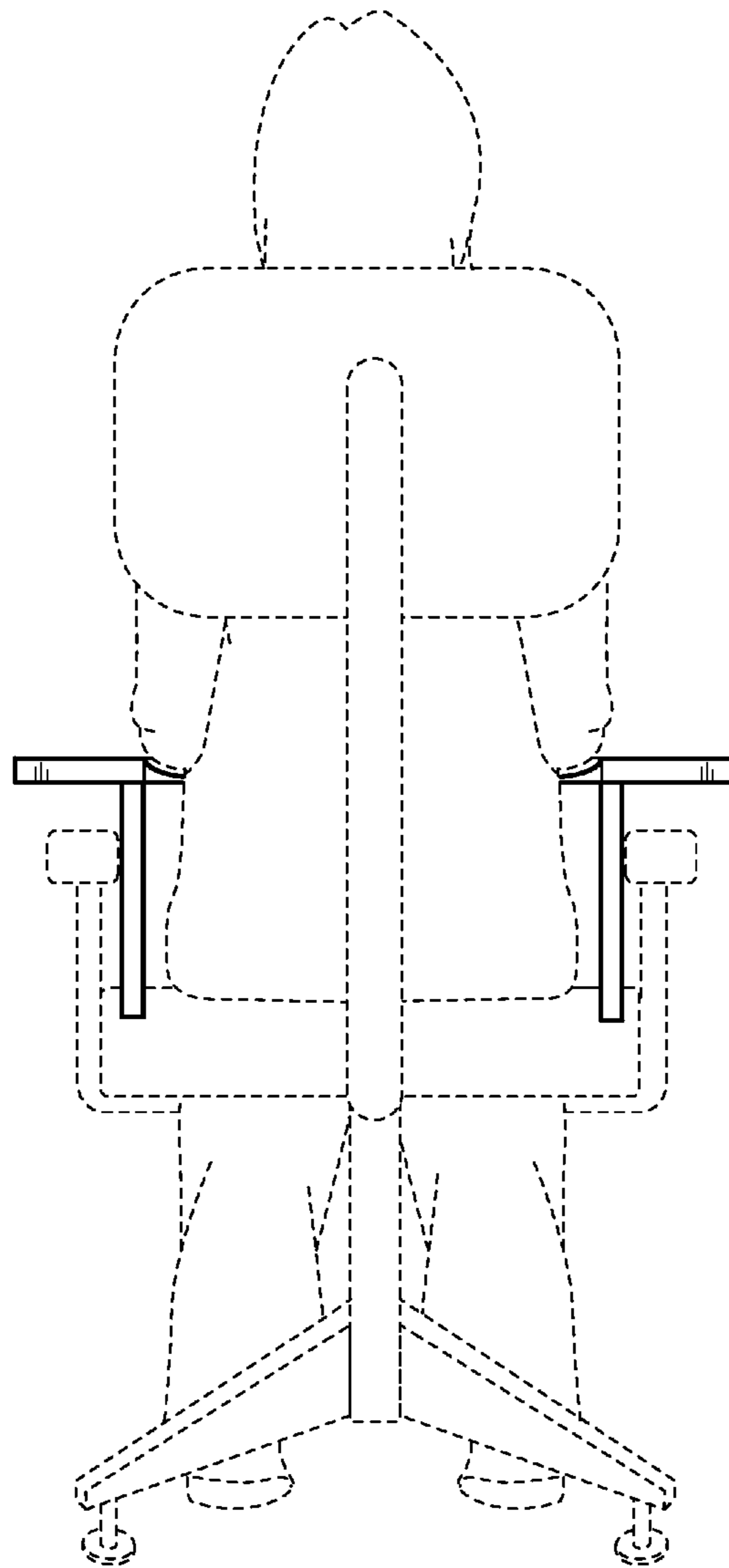
*Fig. 6*



*Fig. 7*



*Fig. 8*



*Fig. 9*