



US00D668467S

(12) **United States Design Patent**  
**White, III et al.**

(10) **Patent No.:** **US D668,467 S**

(45) **Date of Patent:** **\*\* Oct. 9, 2012**

(54) **CHAIR**

(75) Inventors: **William Bew White, III**, Birmingham, AL (US); **Donald C. Works, IV**, Spanish Fort, AL (US)

(73) Assignee: **Summer Classics, Inc.**, Montevallo, AL (US)

(\*\*) Term: **14 Years**

(21) Appl. No.: **29/397,870**

(22) Filed: **Jul. 21, 2011**

(51) **LOC (9) Cl.** ..... **06-01**

(52) **U.S. Cl.** ..... **D6/370**

(58) **Field of Classification Search** ..... D6/334, D6/335, 336, 369, 370, 374, 375, 376, 379, D6/380, 381, 500-502; 297/232, 411.28, 297/445.1, 446.1, 452.63, 452.64  
See application file for complete search history.

(56) **References Cited**

U.S. PATENT DOCUMENTS

D183,887 S \* 11/1958 Jensen ..... D6/369  
D525,799 S \* 8/2006 Lowsky ..... D6/370

D535,114 S \* 1/2007 Goldstein ..... D6/381  
D572,494 S \* 7/2008 Lowsky ..... D6/370  
D591,523 S \* 5/2009 White et al. .... D6/370  
D599,128 S \* 9/2009 White et al. .... D6/370

\* cited by examiner

*Primary Examiner* — Mimoso De

(57) **CLAIM**

The ornamental design for a chair, as shown and described.

**DESCRIPTION**

FIG. 1 is a perspective view of a chair showing my ornamental design.

FIG. 2 is a front view of the chair of FIG. 1.

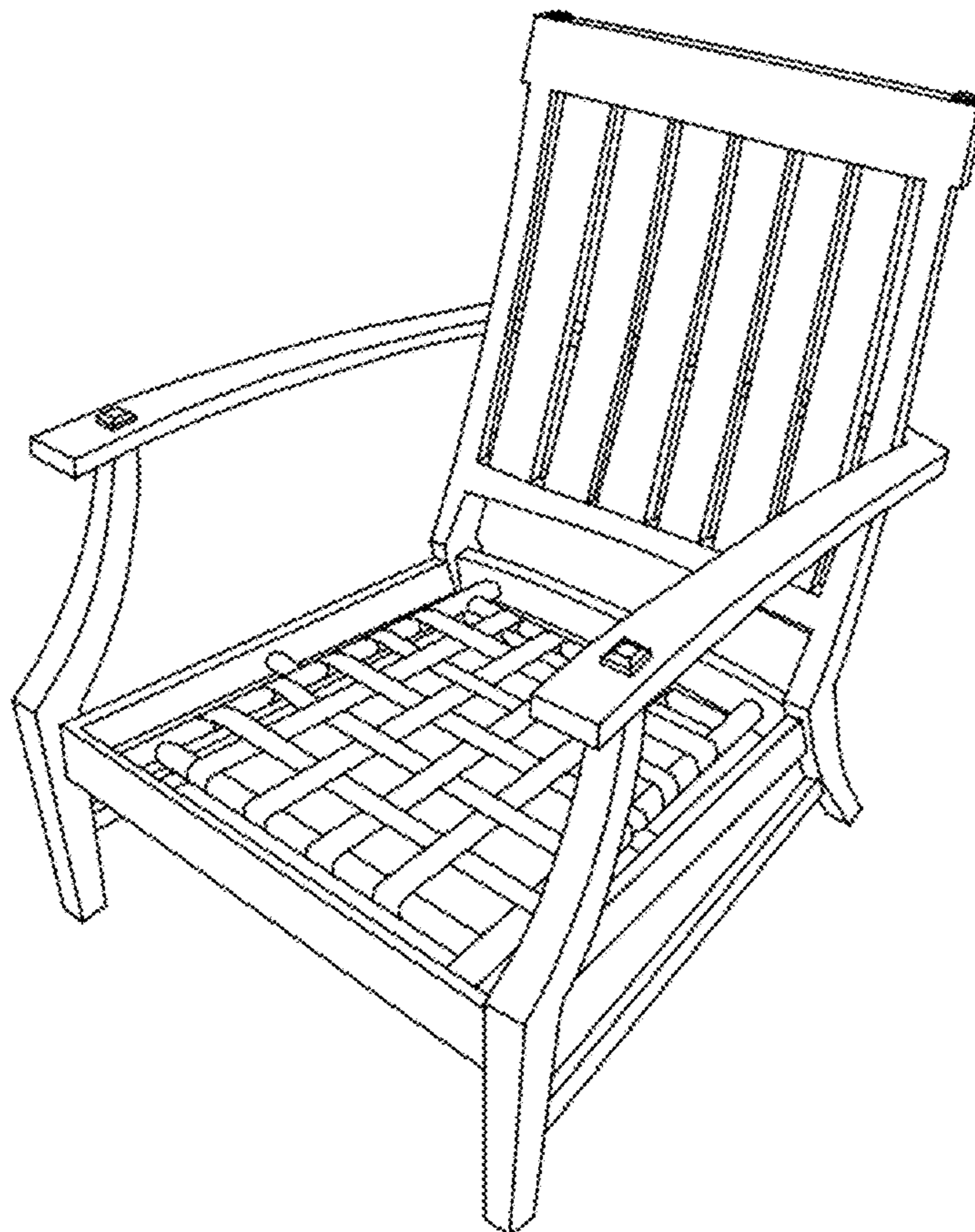
FIG. 3 is a side view of the chair of FIG. 1, the opposite side being a mirror image thereof.

FIG. 4 is a back view of the chair of FIG. 1.

FIG. 5 is an enlarged detail view showing a portion of an armrest of the chair of FIG. 1, the opposite armrest being a mirror image thereof; and,

FIG. 6 is an enlarged detail view showing a portion of a back support of the chair of FIG. 1, the opposite side of the back support being a mirror image thereof.

**1 Claim, 6 Drawing Sheets**



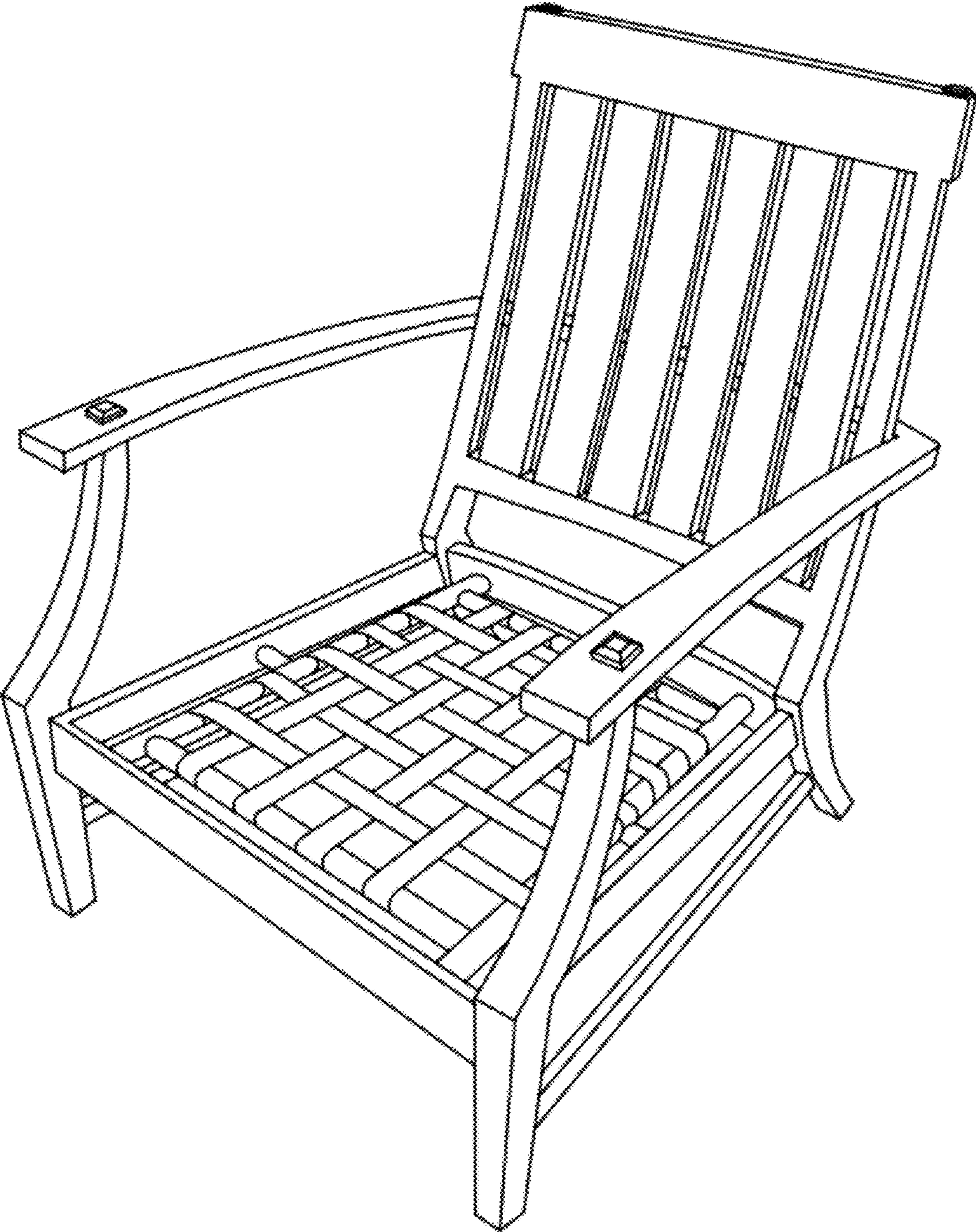


FIG. 1



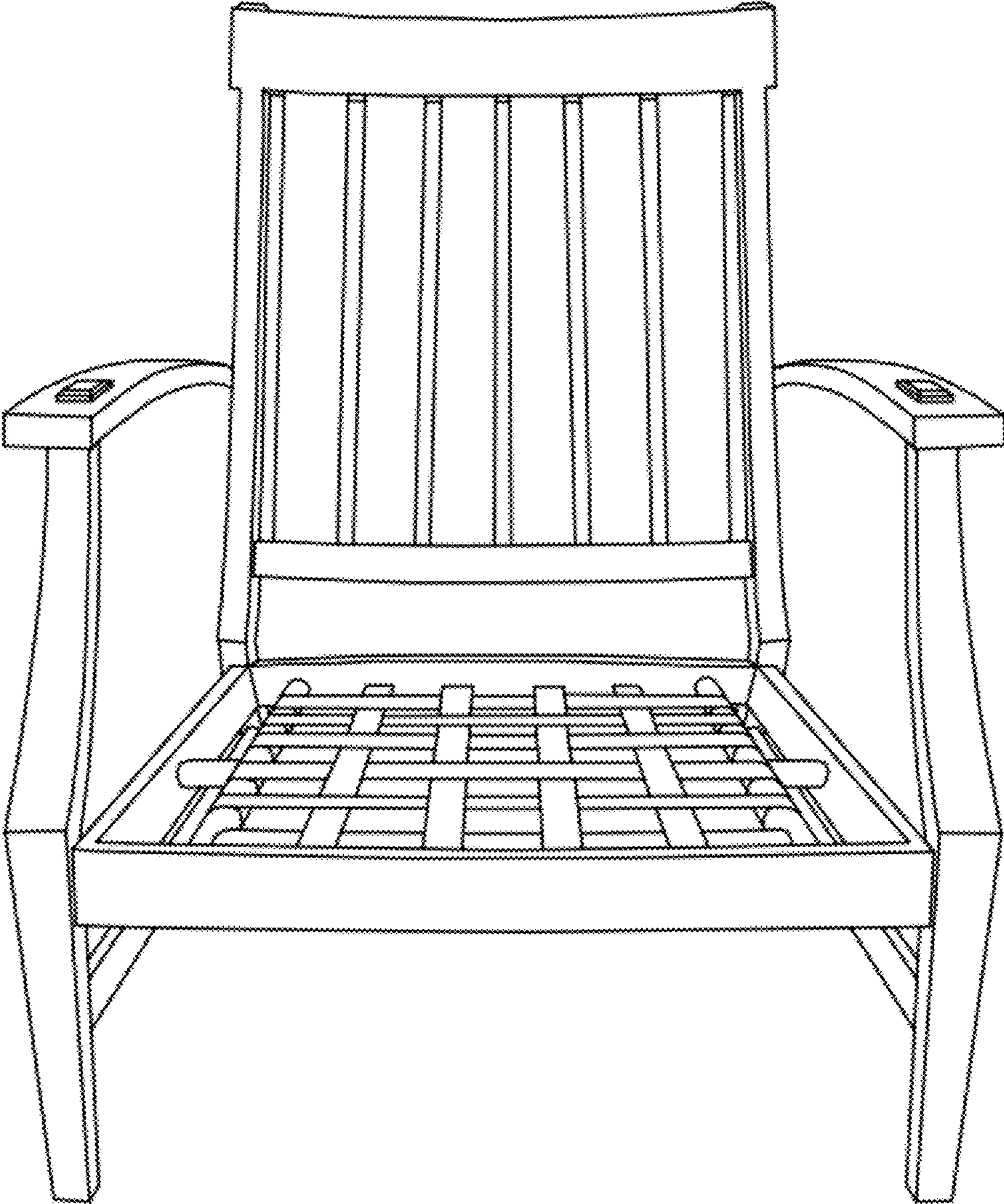


FIG. 2

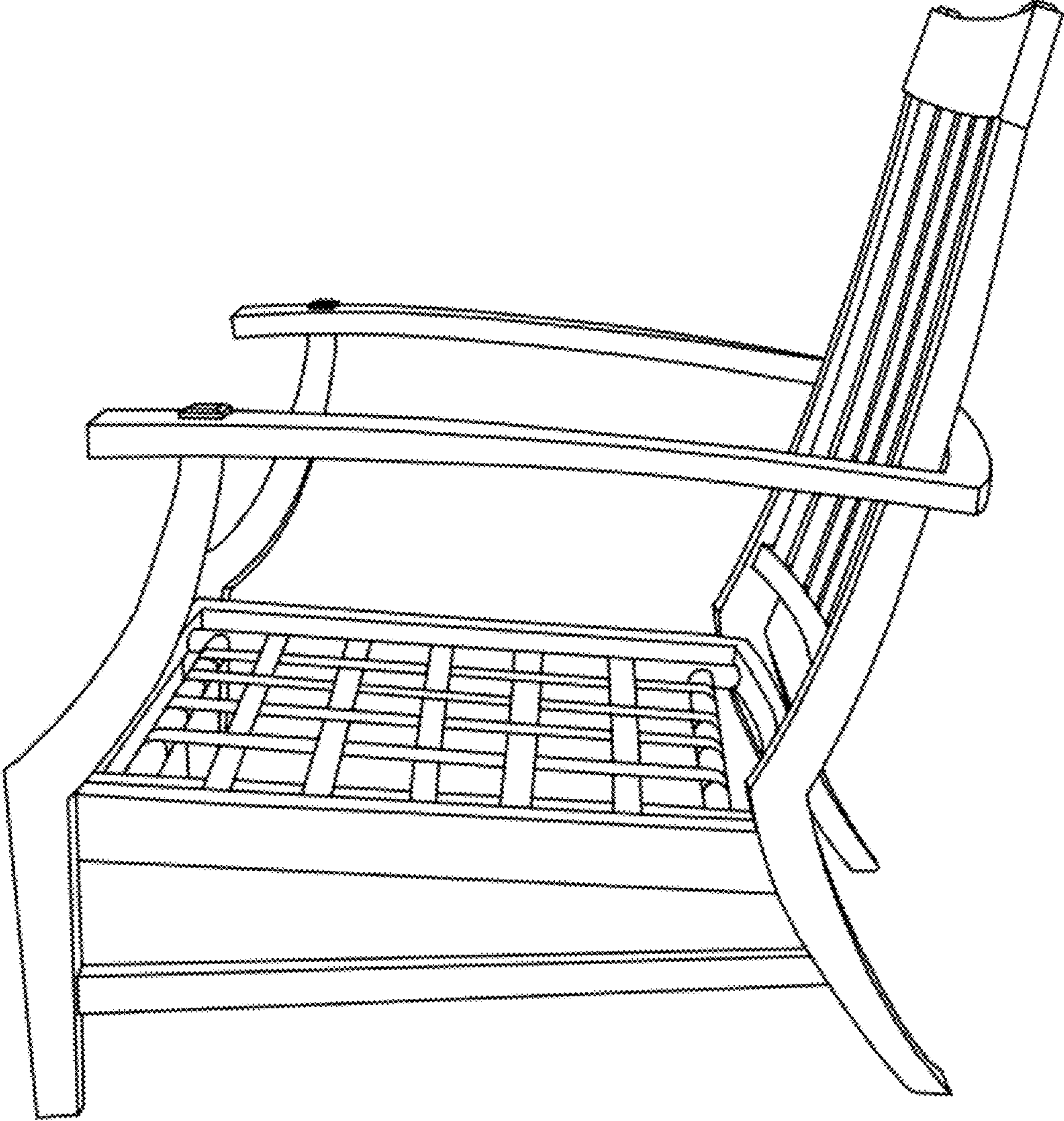


FIG. 3

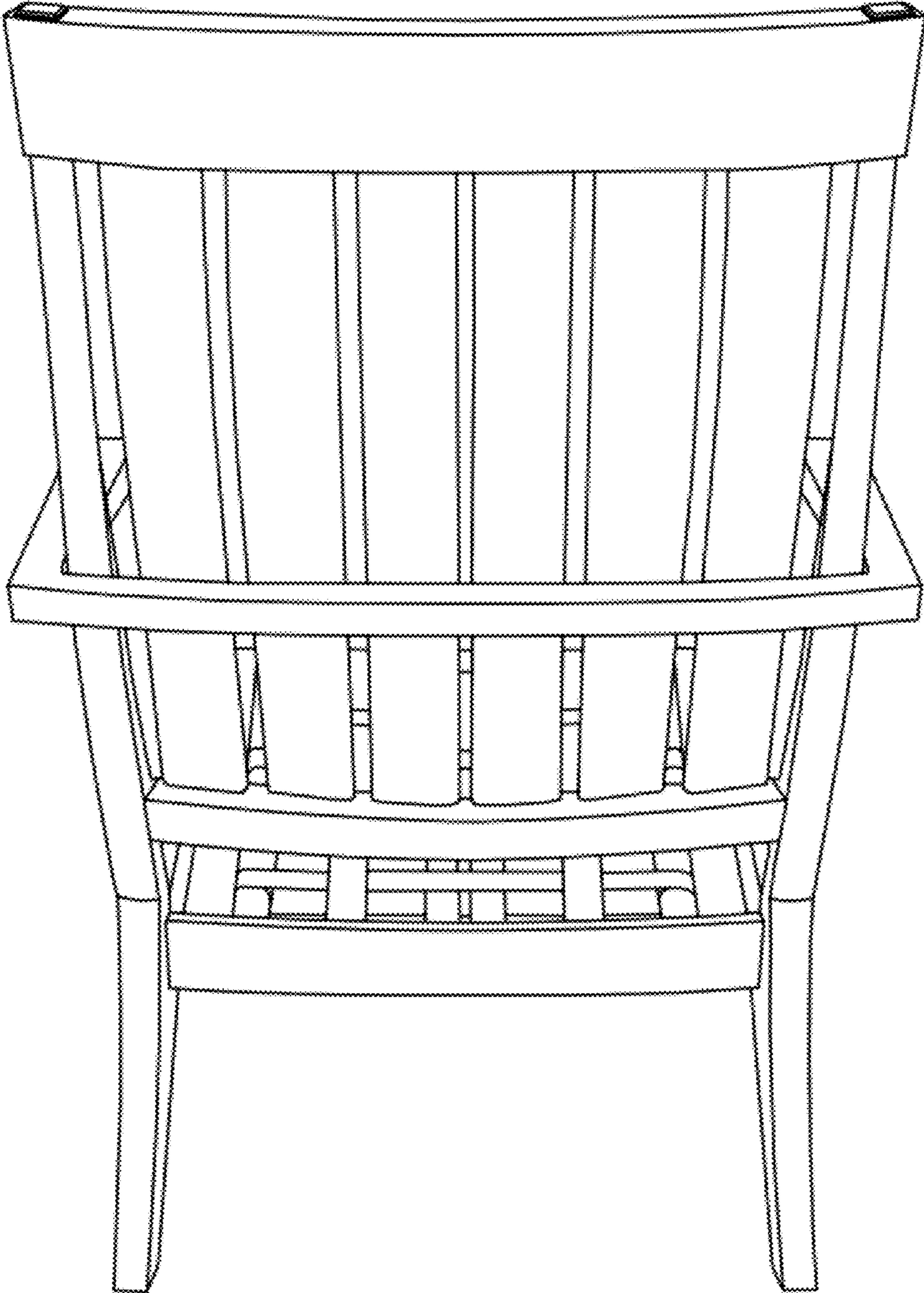


FIG. 4



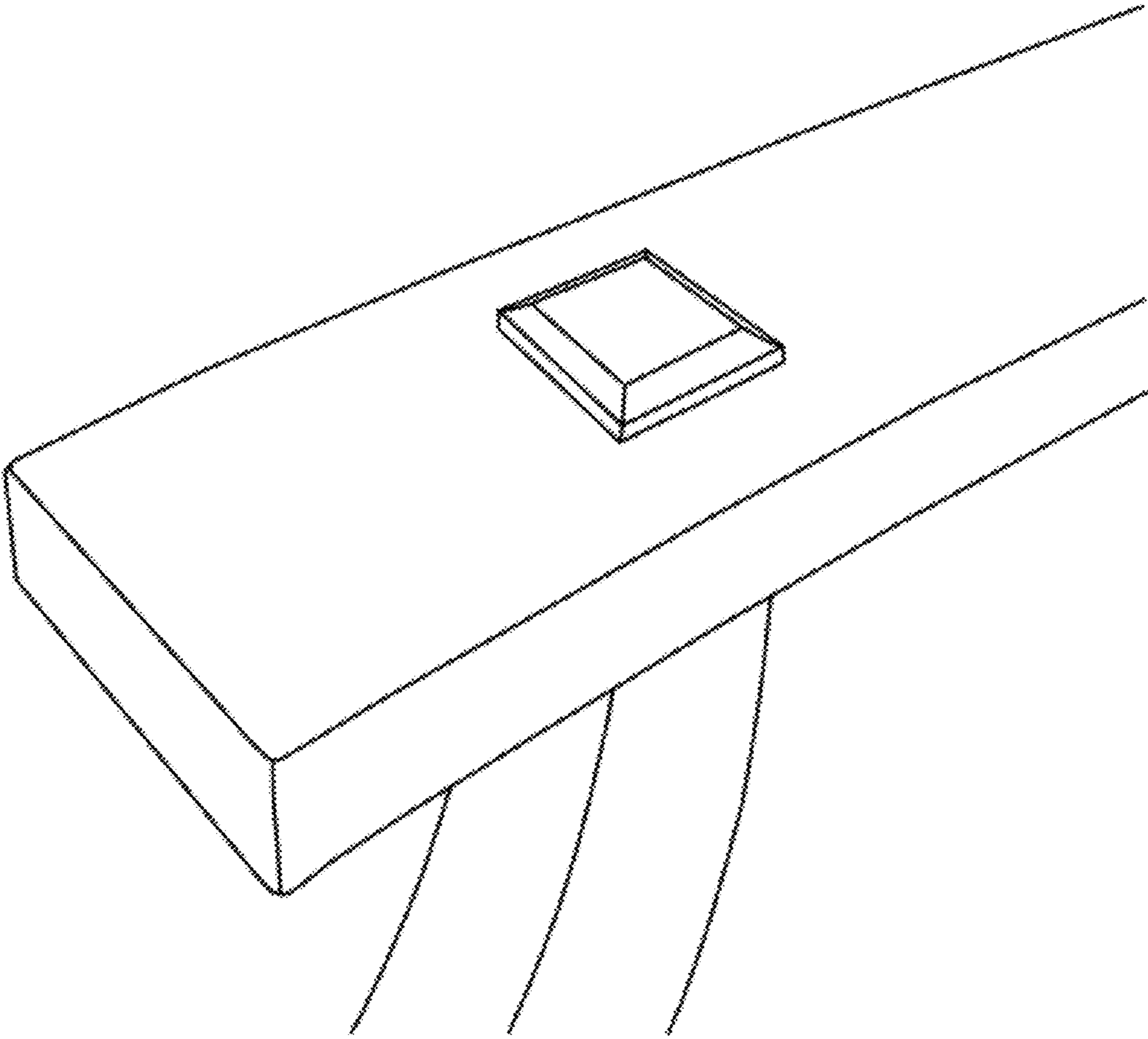


FIG. 5

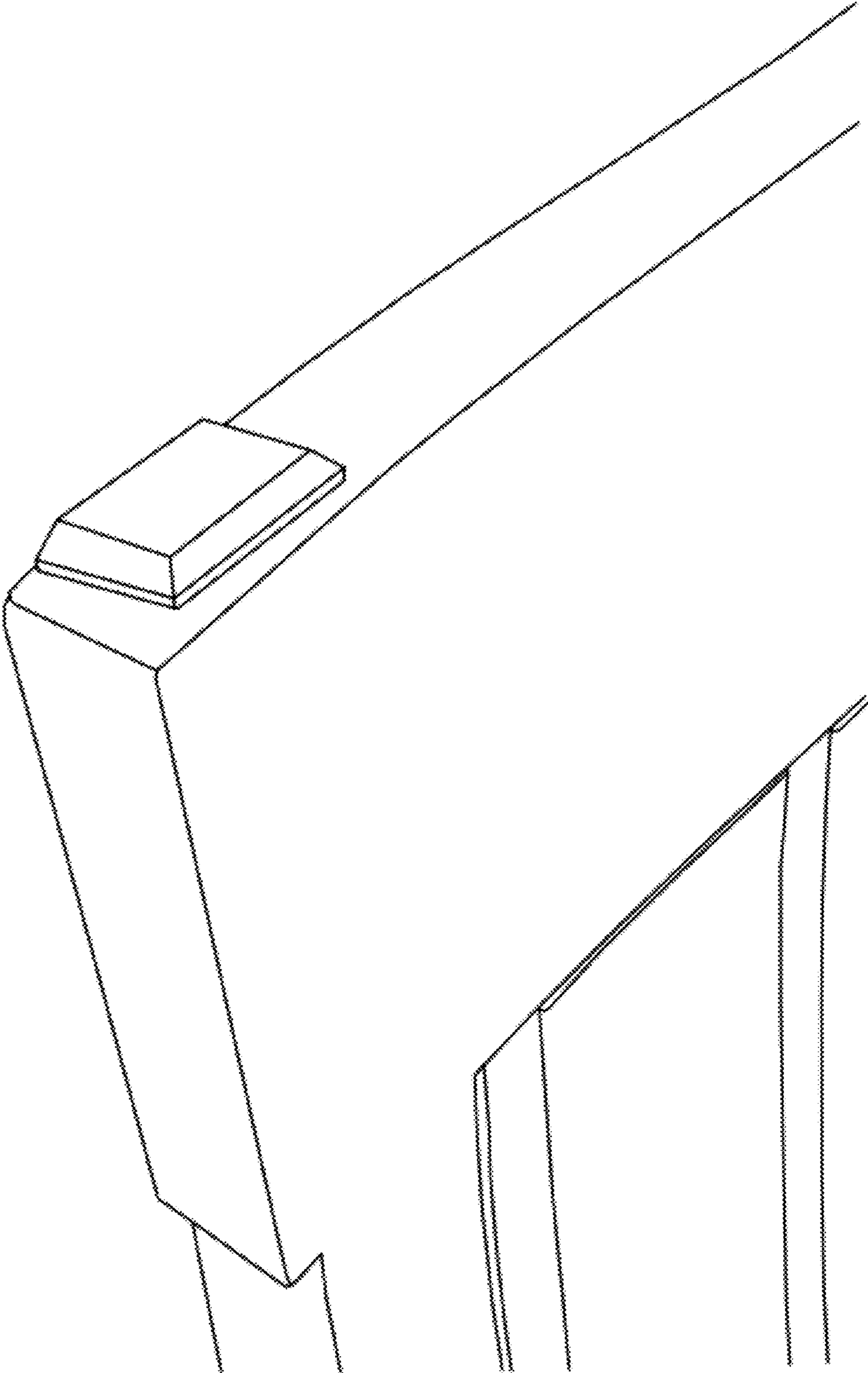


FIG. 6