

US00D668466S

(12) **United States Design Patent**
White, III et al.

(10) **Patent No.:** **US D668,466 S**
(45) **Date of Patent:** **** Oct. 9, 2012**

(54) **CHAIR**

(75) Inventors: **William Bew White, III**, Birmingham,
AL (US); **Donald C. Works, IV**,
Spanish Fort, AL (US)

(73) Assignee: **Summer Classics, Inc.**, Montevallo, AL
(US)

(**) Term: **14 Years**

(21) Appl. No.: **29/397,868**

(22) Filed: **Jul. 21, 2011**

(51) **LOC (9) Cl.** **06-01**

(52) **U.S. Cl.** **D6/370**

(58) **Field of Classification Search** D6/334,
D6/335, 336, 369, 370, 374, 375, 376, 379,
D6/380, 500-502; 297/239, 411.28, 445.1,
297/446.1, 452.63

See application file for complete search history.

(56) **References Cited**

U.S. PATENT DOCUMENTS

D102,695 S * 1/1937 McLellian D6/370
D121,072 S * 6/1940 Johnson D6/370

D331,501 S * 12/1992 Grosfillex D6/370
D333,042 S * 2/1993 Komai et al. D6/370
D373,910 S * 9/1996 Frinier D6/370
D420,825 S * 2/2000 Lin D6/370
D457,341 S * 5/2002 Muller D6/370
D495,156 S * 8/2004 Gower D6/370
D498,938 S * 11/2004 Kingsley et al. D6/370

* cited by examiner

Primary Examiner — Mimoso De

(57) **CLAIM**

The ornamental design for a chair, as shown and described.

DESCRIPTION

FIG. 1 is a perspective view of a chair showing my ornamental design.

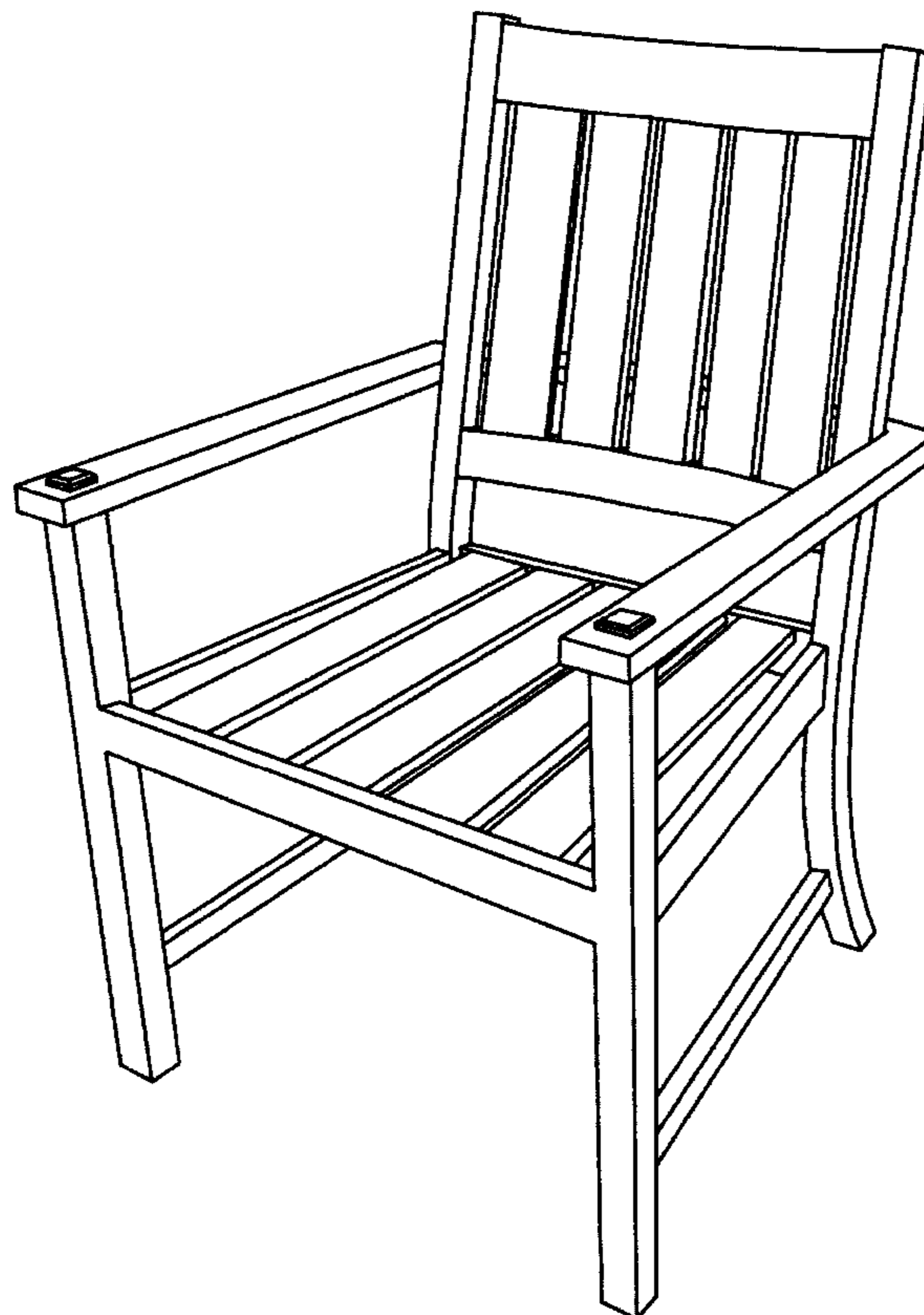
FIG. 2 is a front view of the chair of FIG. 1.

FIG. 3 is a side view of the chair of FIG. 1, the opposite side being a mirror image thereof.

FIG. 4 is a back view of the chair of FIG. 1; and,

FIG. 5 is an enlarged detail view showing a portion of an armrest of the chair of FIG. 1, the opposite armrest being a mirror image thereof.

1 Claim, 5 Drawing Sheets



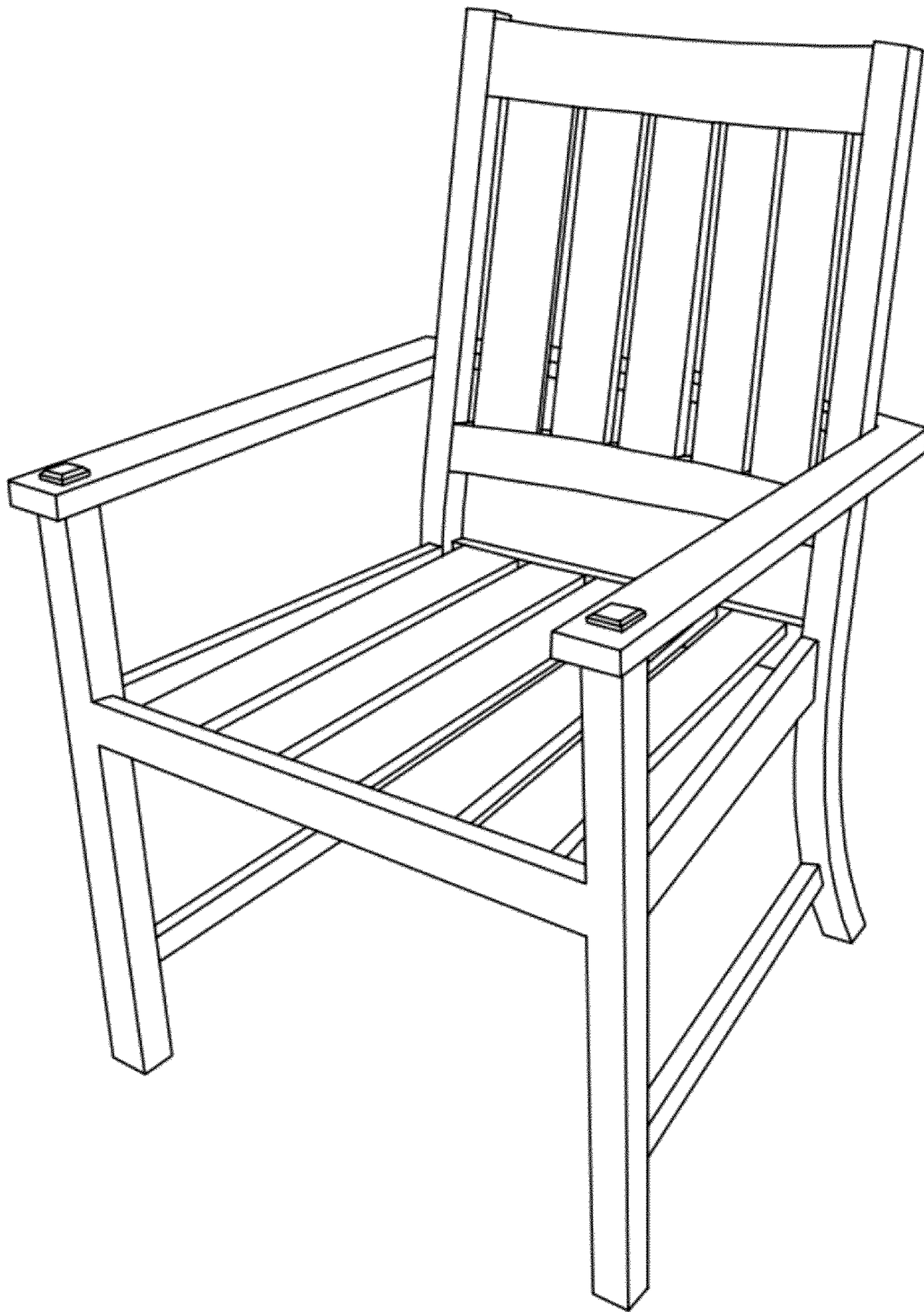


FIG. 1

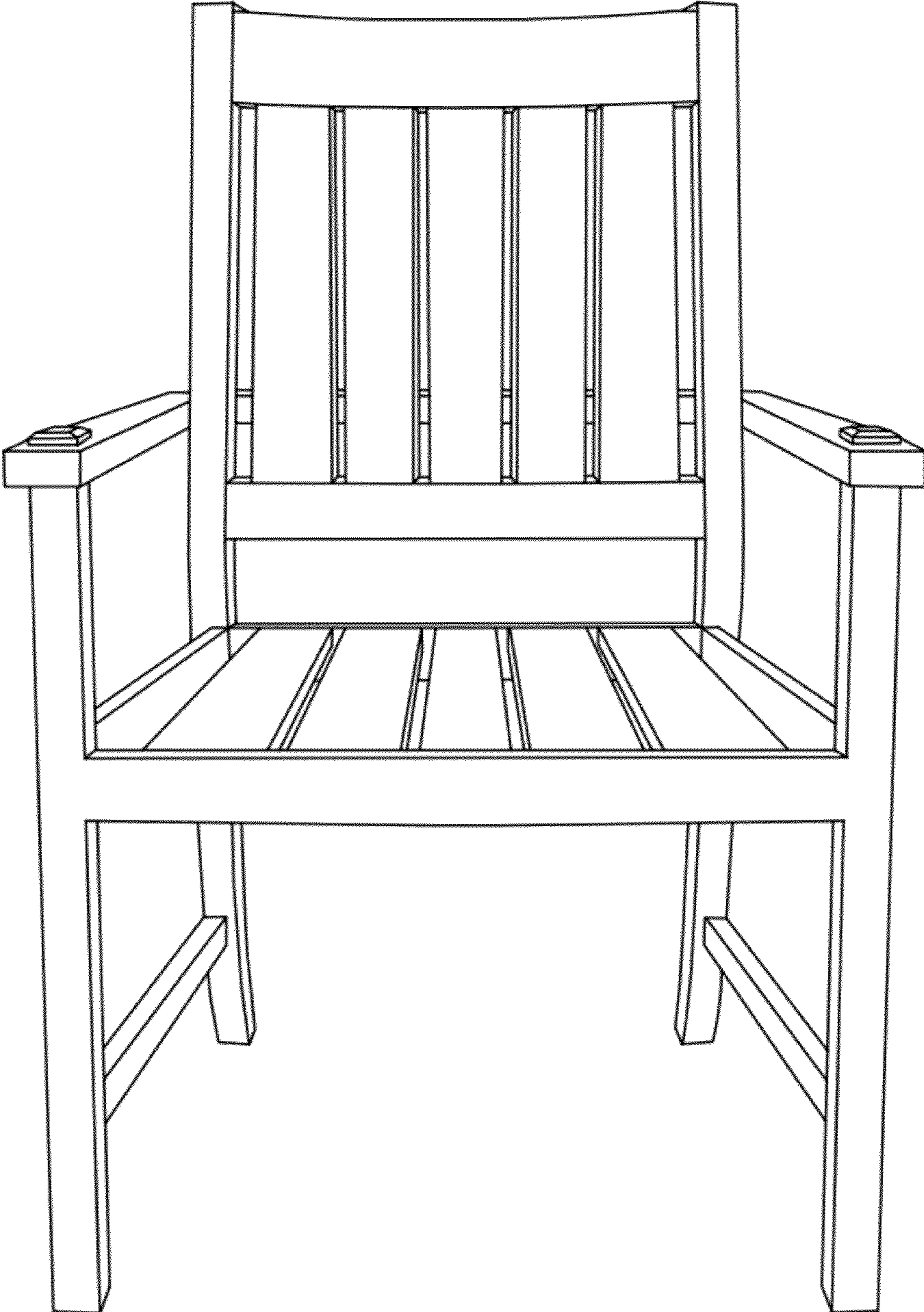


FIG. 2

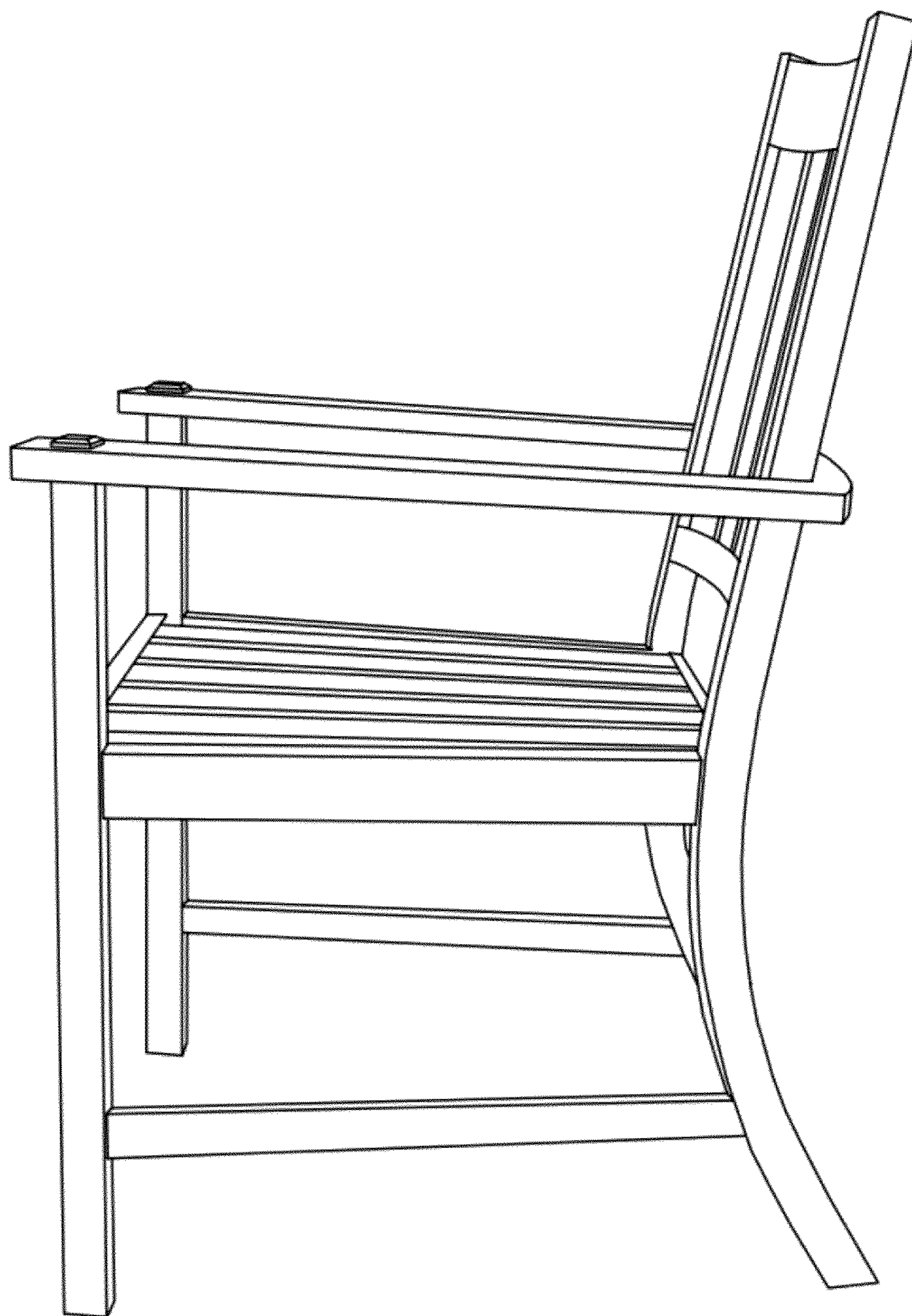


FIG. 3

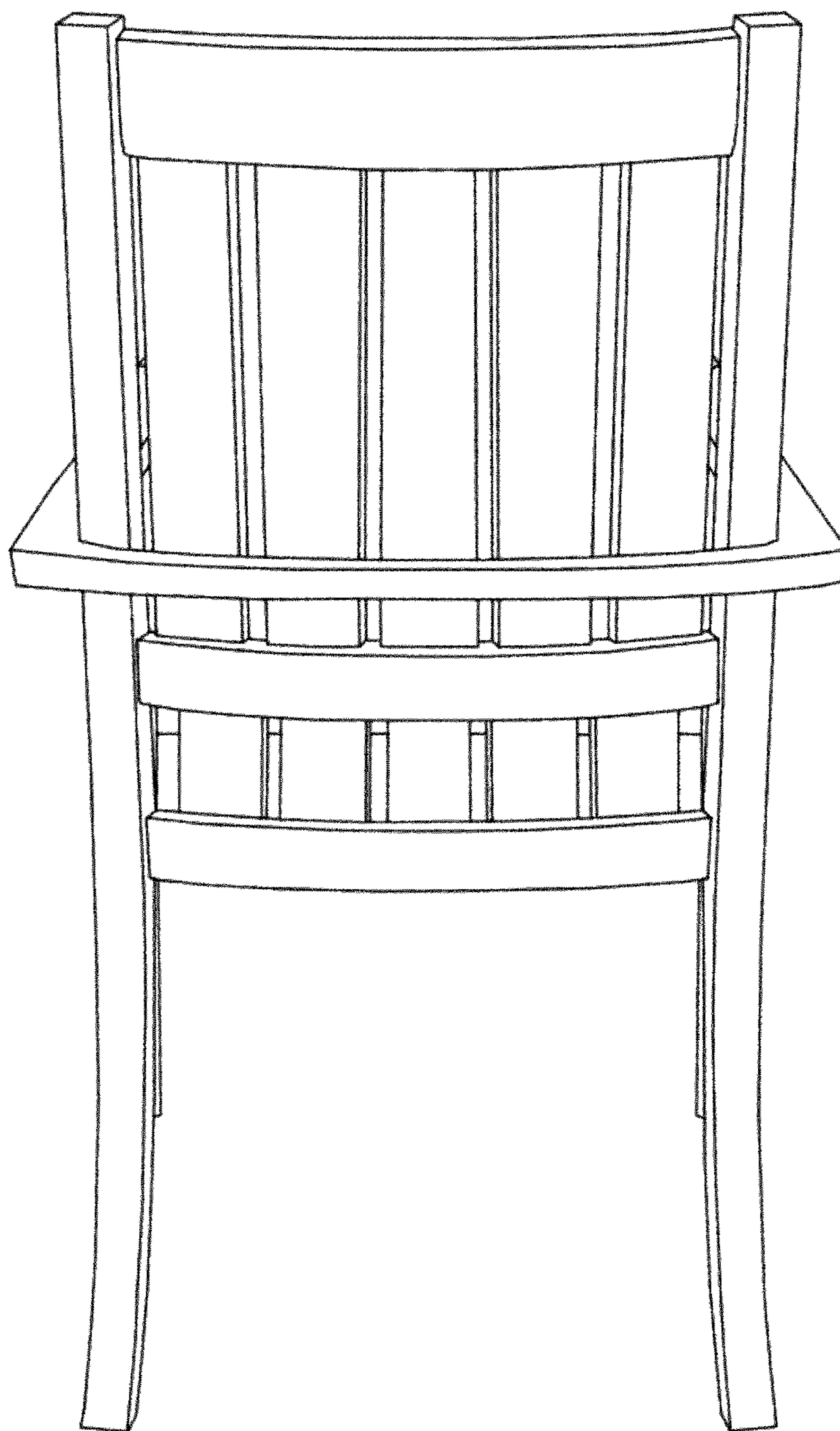


FIG. 4

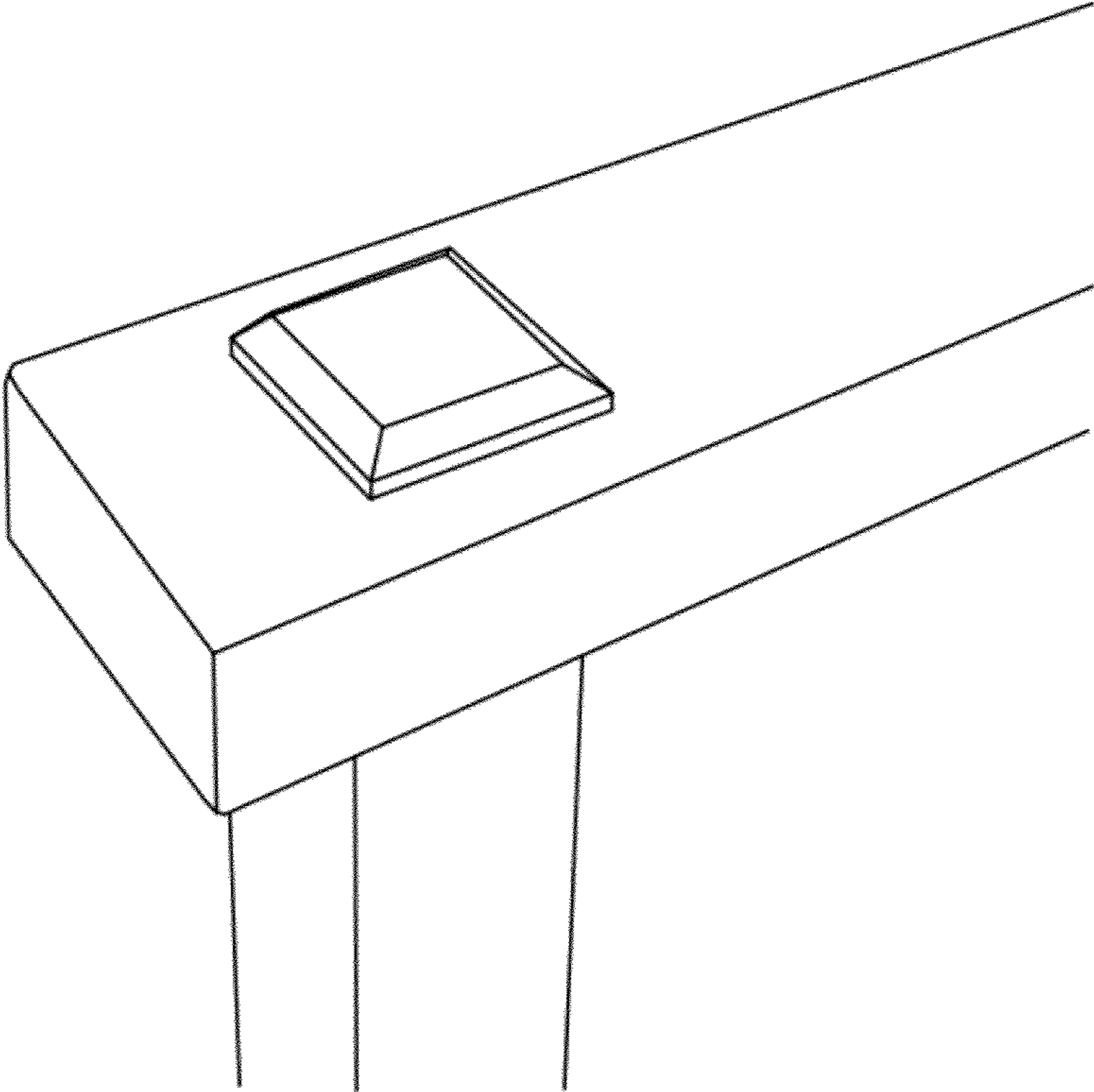


FIG. 5