



US00D668464S

(12) **United States Design Patent**
Du

(10) **Patent No.:** **US D668,464 S**

(45) **Date of Patent:** **** Oct. 9, 2012**

(54) **BAR STOOL**

(75) Inventor: **Hui Du**, Zhejiang (CN)

(73) Assignee: **Anji Weiyu Furniture Co., Ltd.**,
Fangtan Industrial Zone, Dipu Town,
Anji County, Zhejiang (CN)

(**) Term: **14 Years**

(21) Appl. No.: **29/408,317**

(22) Filed: **Dec. 9, 2011**

(51) **LOC (9) Cl.** **06-01**

(52) **U.S. Cl.** **D6/353**

(58) **Field of Classification Search** D6/335,
D6/340, 349-355, 495, 500-502; 297/16.1,
297/175, 187, 195.1, 423.1, 423.11, 423.14,
297/423.16, 461, 462

See application file for complete search history.

(56) **References Cited**

U.S. PATENT DOCUMENTS

3,467,033	A *	9/1969	Remer et al.	108/150
4,101,163	A *	7/1978	Morin	297/16.1
D283,856	S *	5/1986	Elmaleh	D6/349
D292,147	S *	10/1987	Lomedico et al.	D6/349
D341,259	S *	11/1993	Mele	D6/364
5,738,326	A *	4/1998	Liao	248/405
6,030,045	A *	2/2000	Hoshino	297/461

D458,765	S *	6/2002	Barbieri	D6/367
D467,745	S *	12/2002	Ryan	D6/364
D473,389	S *	4/2003	Ryan	D6/364
D493,968	S *	8/2004	Barbieri	D6/352
D496,813	S *	10/2004	Nakajima	D6/502
D509,076	S *	9/2005	Beck	D6/354
D523,251	S *	6/2006	Parpala	D6/352
7,219,956	B2 *	5/2007	Zhang	297/195.11
D579,677	S *	11/2008	Zhou et al.	D6/349
D586,573	S *	2/2009	Saitou	D6/349
2006/0232109	A1 *	10/2006	Olano	297/195.11
2007/0290541	A1 *	12/2007	Tsai	297/423.1

* cited by examiner

Primary Examiner — Sandra Snapp

(74) *Attorney, Agent, or Firm* — Global IP Services; Tianhua Gu

(57) **CLAIM**

The ornamental design for a bar stool, as shown and described.

DESCRIPTION

FIG. 1 is a front elevation view of a bar stool showing my new design;

FIG. 2 is a rear elevation view thereof;

FIG. 3 is a left side elevation view thereof;

FIG. 4 is a right side elevation view thereof;

FIG. 5 is a top plan view thereof; and,

FIG. 6 is a left-front perspective view thereof.

1 Claim, 6 Drawing Sheets



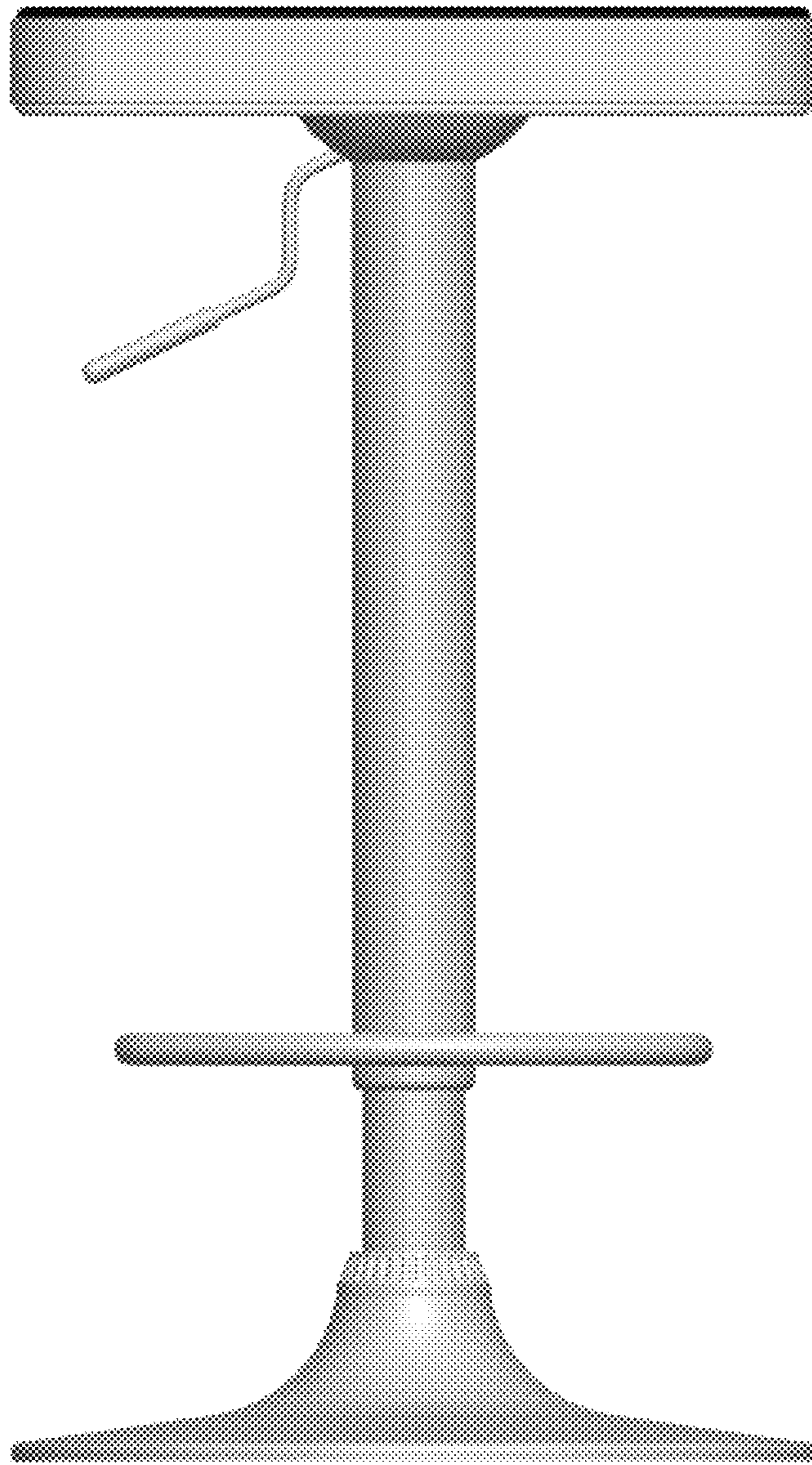


FIG. 1

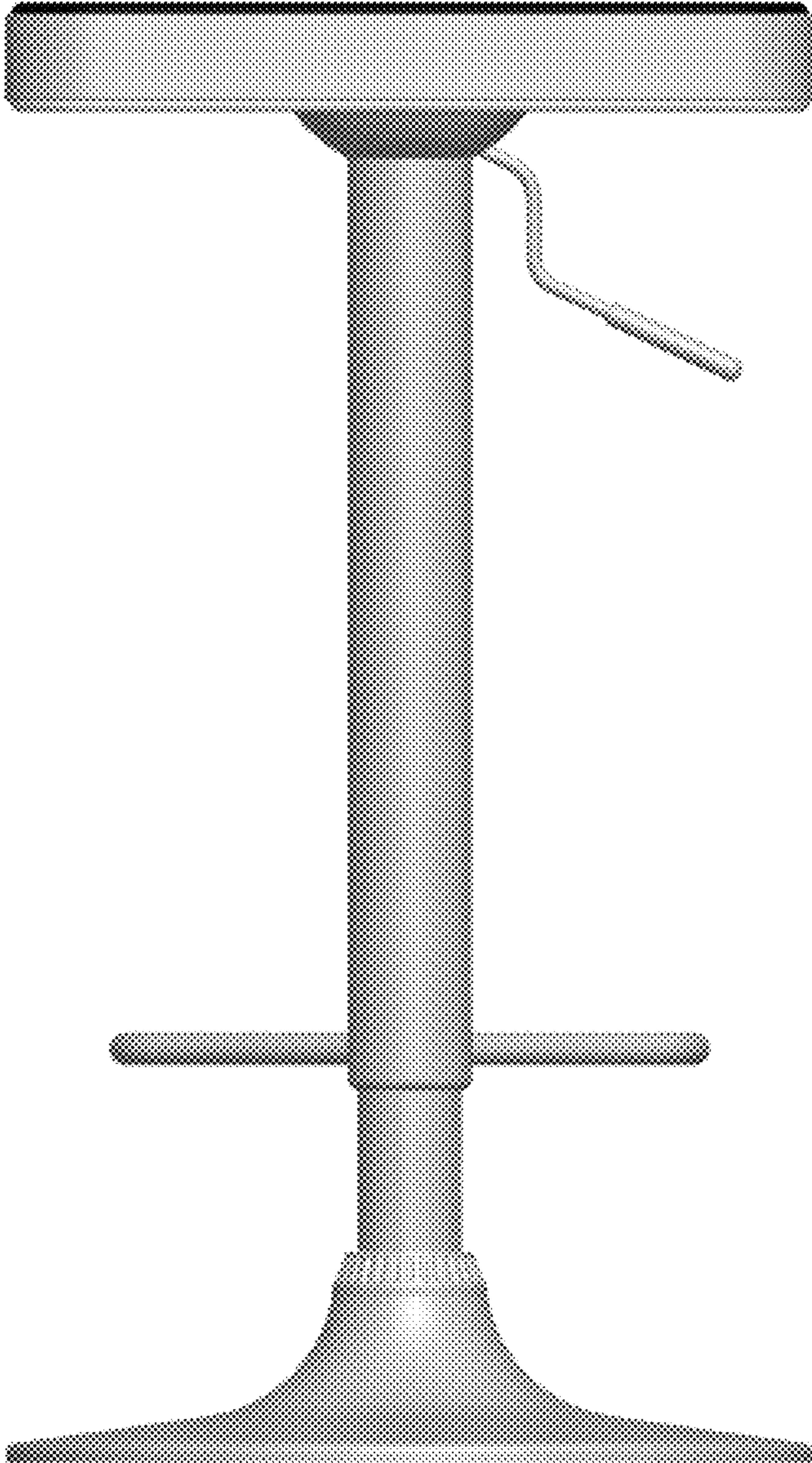


FIG. 2

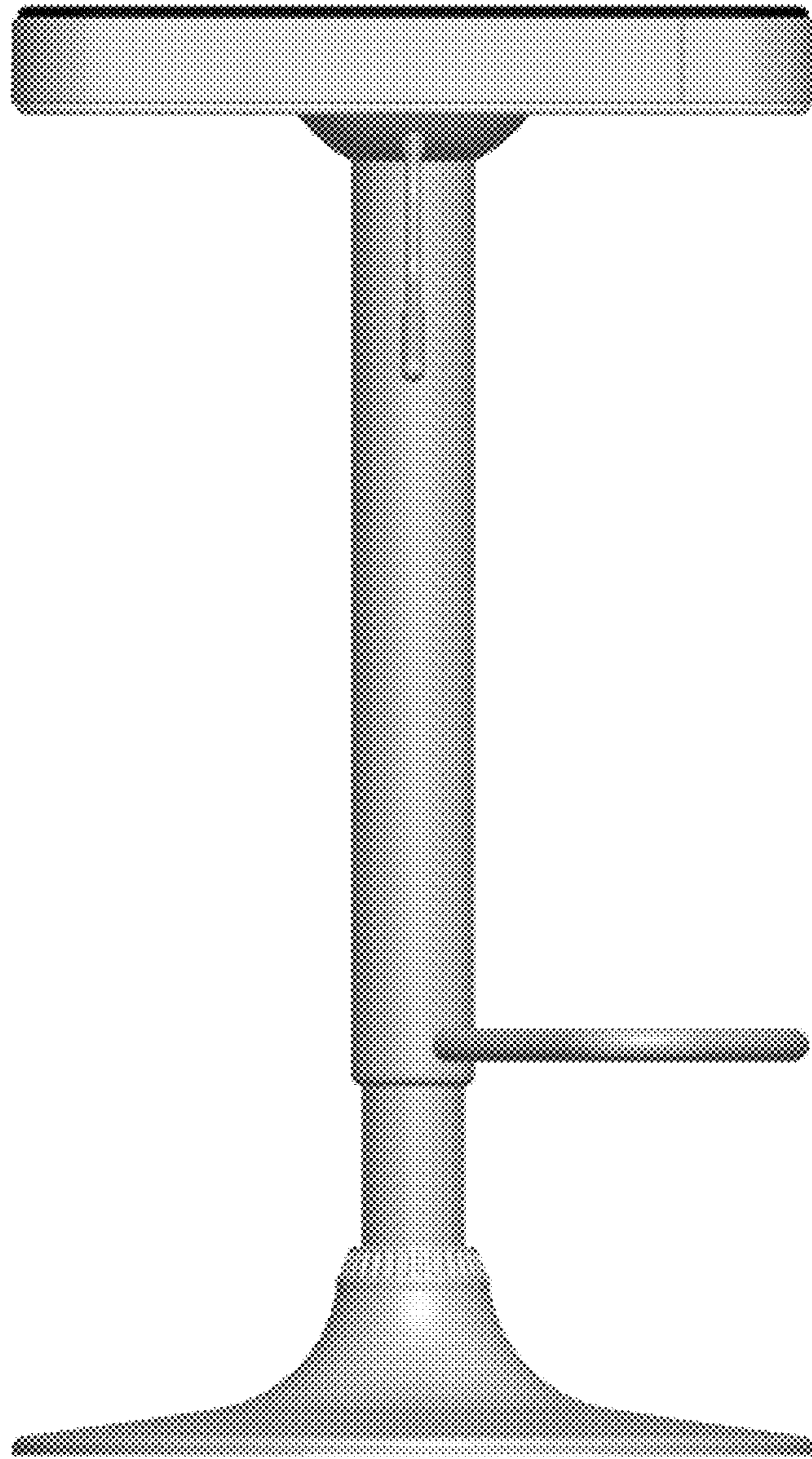


FIG. 3

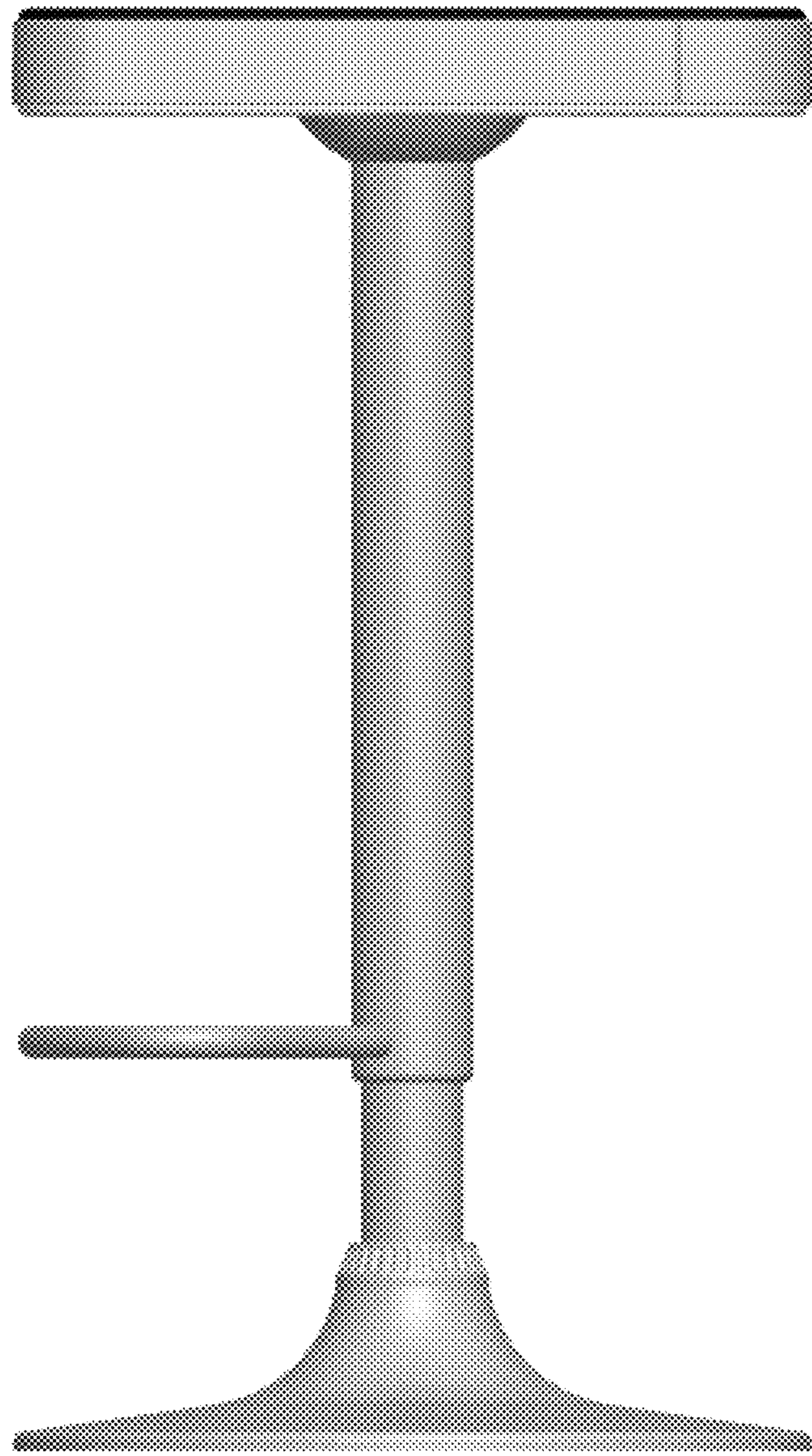


FIG. 4

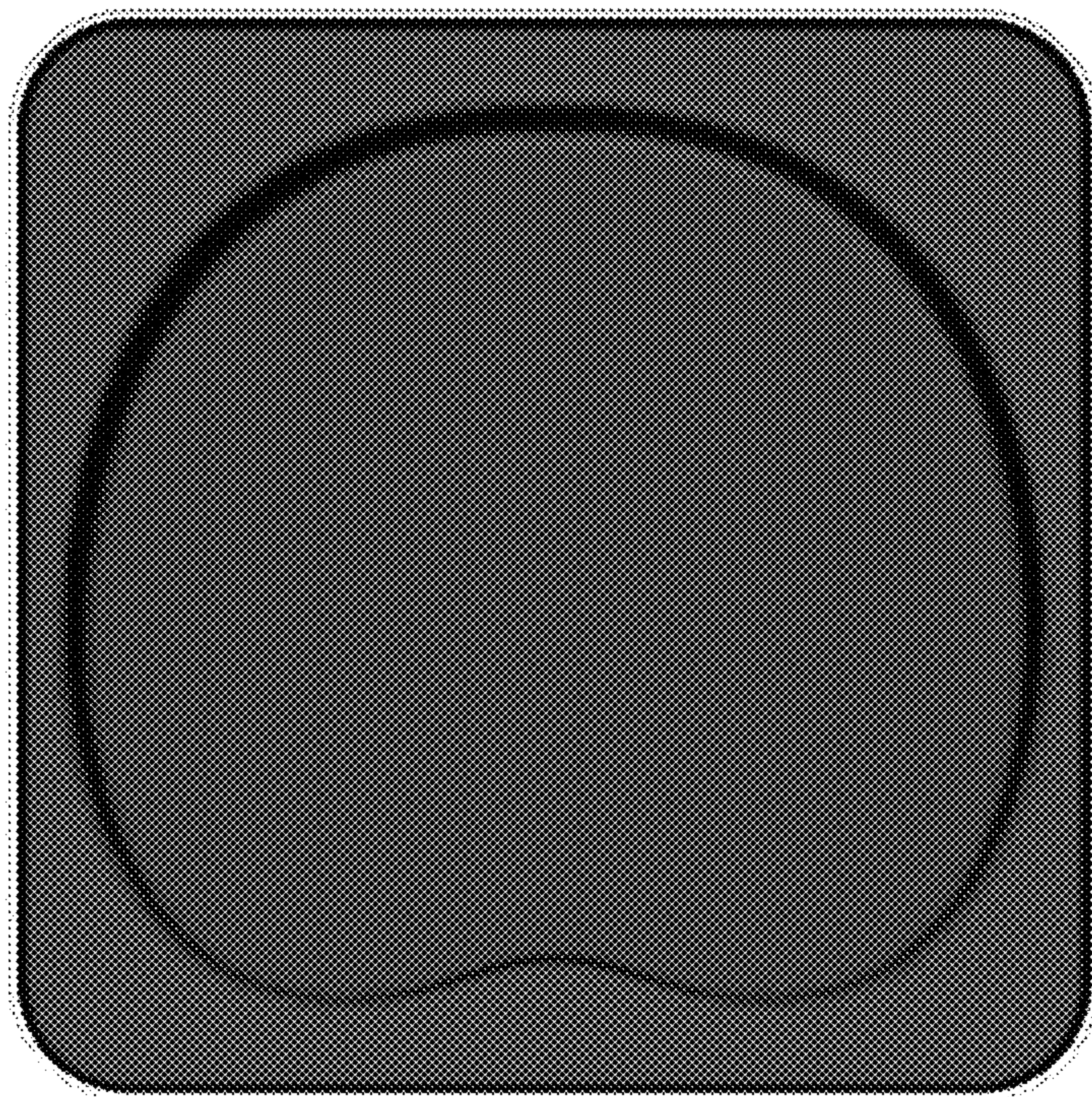


FIG. 5

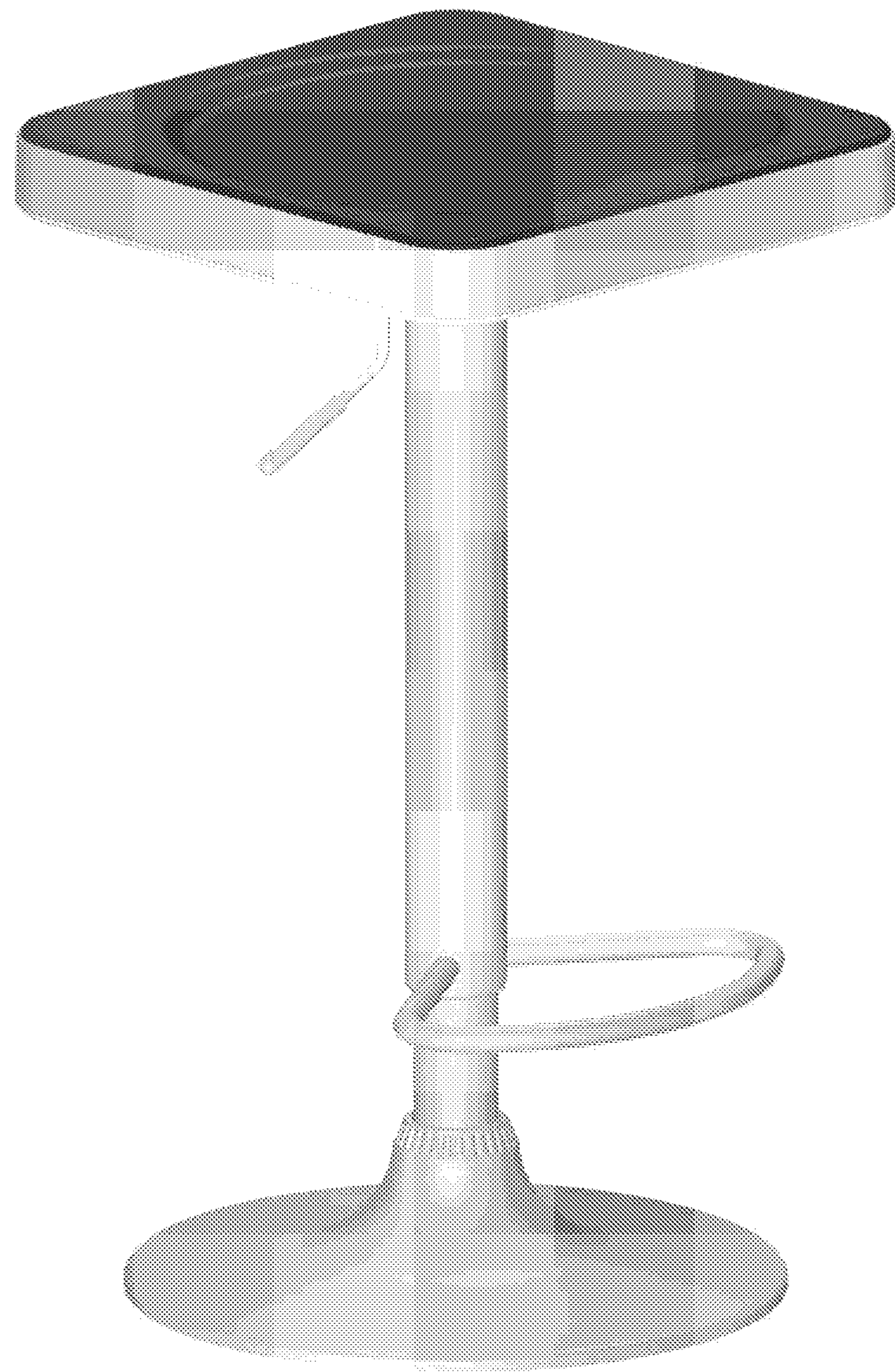


FIG. 6