

US00D668463S

(12) **United States Design Patent**
Eicke

(10) **Patent No.:** **US D668,463 S**

(45) **Date of Patent:** **** Oct. 9, 2012**

(54) **STACKABLE STOOL**

(75) Inventor: **Maximilian M. Eicke**, Sag Harbor, NY
(US)

(73) Assignee: **Max ID NY LLC**, Sag Harbor, NY (US)

(**) Term: **14 Years**

(21) Appl. No.: **29/392,251**

(22) Filed: **May 19, 2011**

(51) **LOC (9) Cl.** **06-01**

(52) **U.S. Cl.** **D6/349**

(58) **Field of Classification Search** D6/335,
D6/340, 349-355, 495, 500-502; 297/16.1,
297/175, 187, 195.1, 423.1, 423.11, 423.14,
297/423.16, 461, 462

See application file for complete search history.

(56) **References Cited**

U.S. PATENT DOCUMENTS

D209,757 S *	1/1968	Wrinkles, Jr.	D6/419
D226,545 S *	3/1973	Hollingsworth	D6/349
D247,694 S *	4/1978	Mueh et al.	D6/449
D313,708 S *	1/1991	Frank	D6/484
D322,904 S *	1/1992	Bareiss	D6/495
D328,000 S *	7/1992	Weaver	D6/485

D362,350 S *	9/1995	Tiffany et al.	D6/349
D424,123 S *	5/2000	Henriksen	D21/671
D566,049 S *	4/2008	Radau et al.	D13/162
D623,470 S *	9/2010	Herron et al.	D7/387
D647,726 S *	11/2011	Strauch	D6/449

* cited by examiner

Primary Examiner — Sandra Snapp

(74) *Attorney, Agent, or Firm* — Hoffmann & Baron, LLP

(57) **CLAIM**

The ornamental design for a stackable stool, as shown and described.

DESCRIPTION

FIG. 1 is a perspective view of a stackable stool constructed in accordance with the invention;

FIG. 2 is a front elevation view of the stackable stool shown in FIG. 1;

FIG. 3 is a top elevation view of the stackable stool shown in FIG. 1;

FIG. 4 is a side elevation view of the stackable stool shown in FIG. 1;

FIG. 5 is a rear elevation view of the stackable stool shown in FIG. 1; and,

FIG. 6 is a bottom elevation view of the stackable stool shown in FIG. 1.

1 Claim, 6 Drawing Sheets

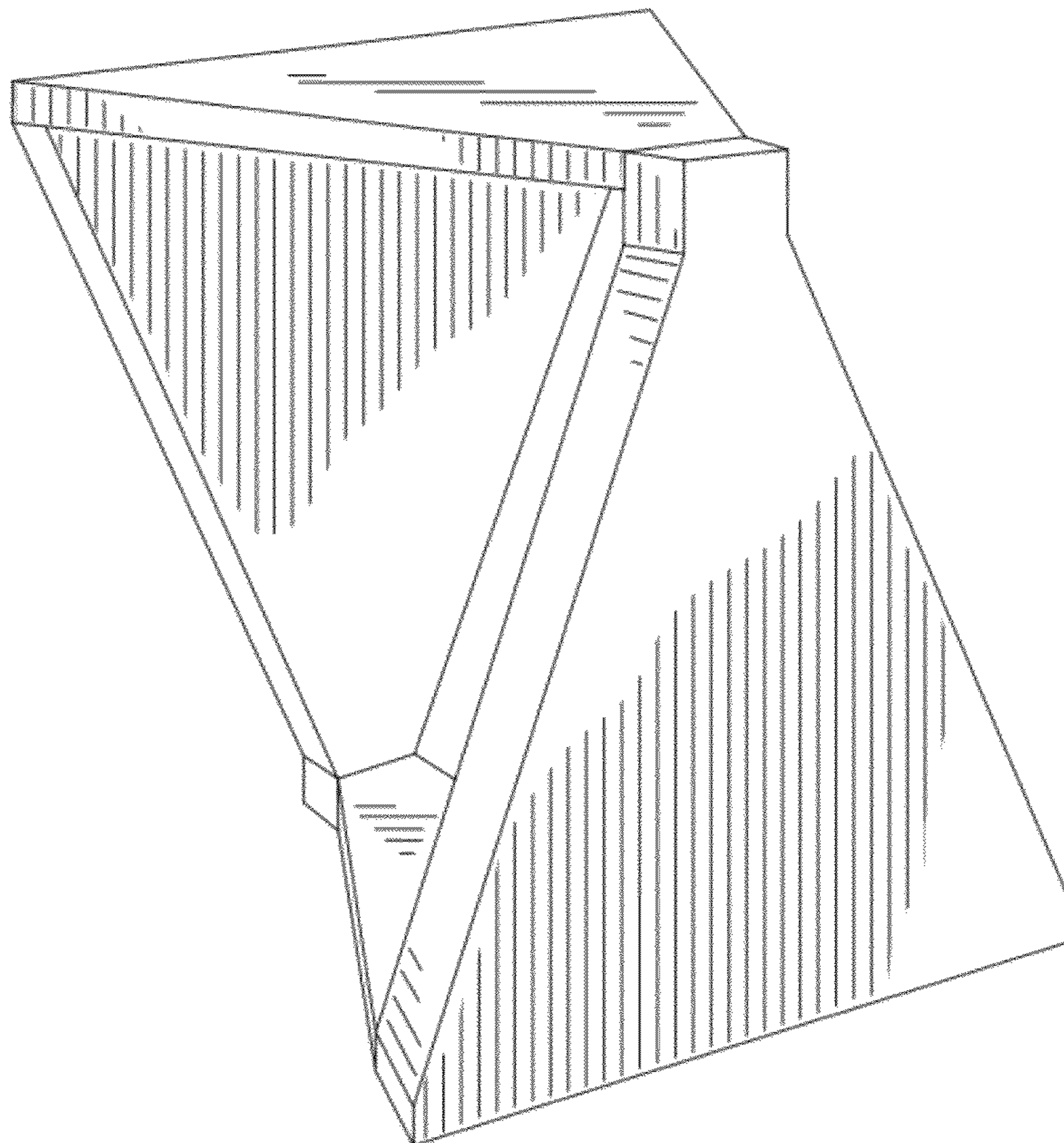


FIG. 1

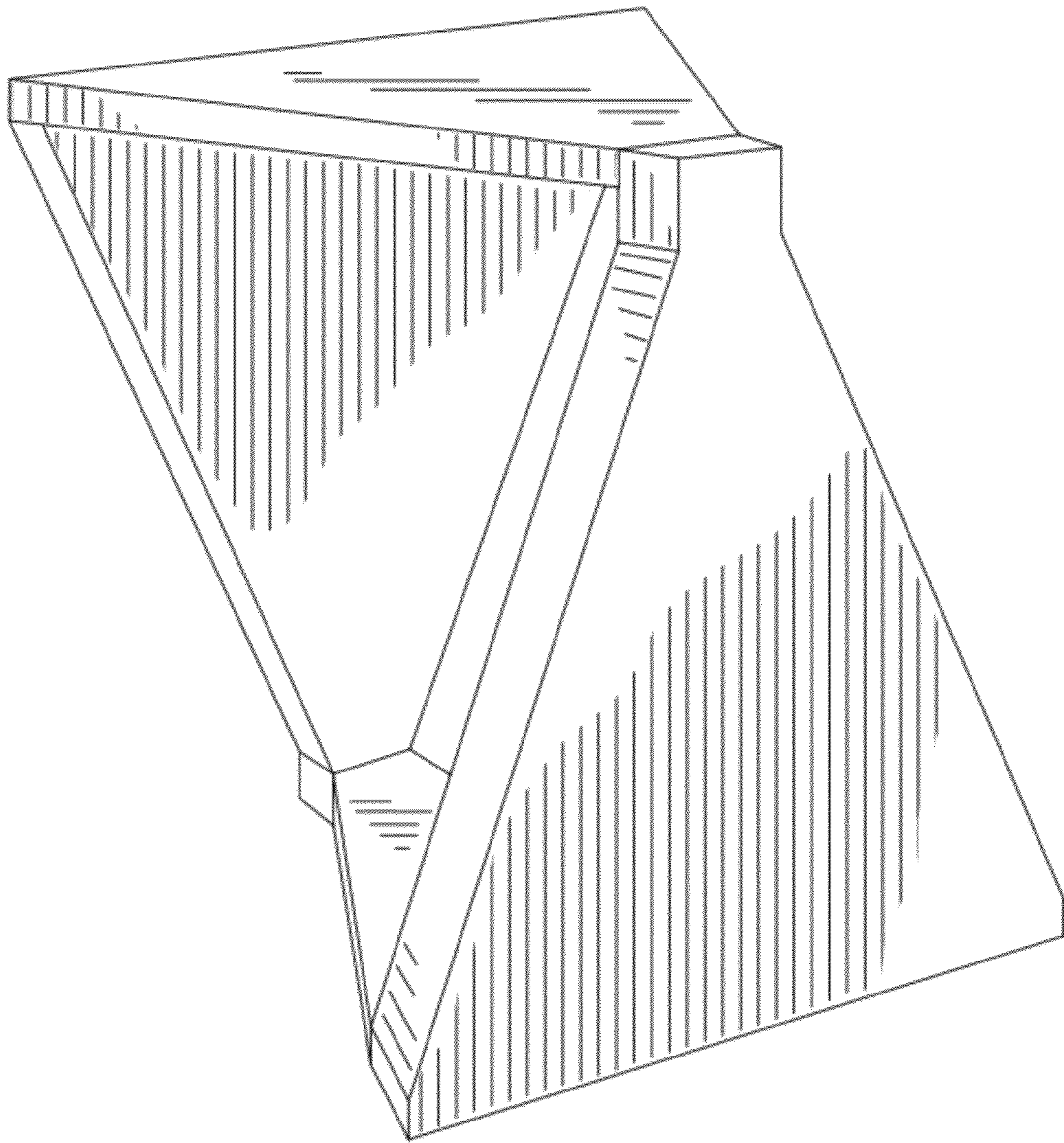


FIG. 2

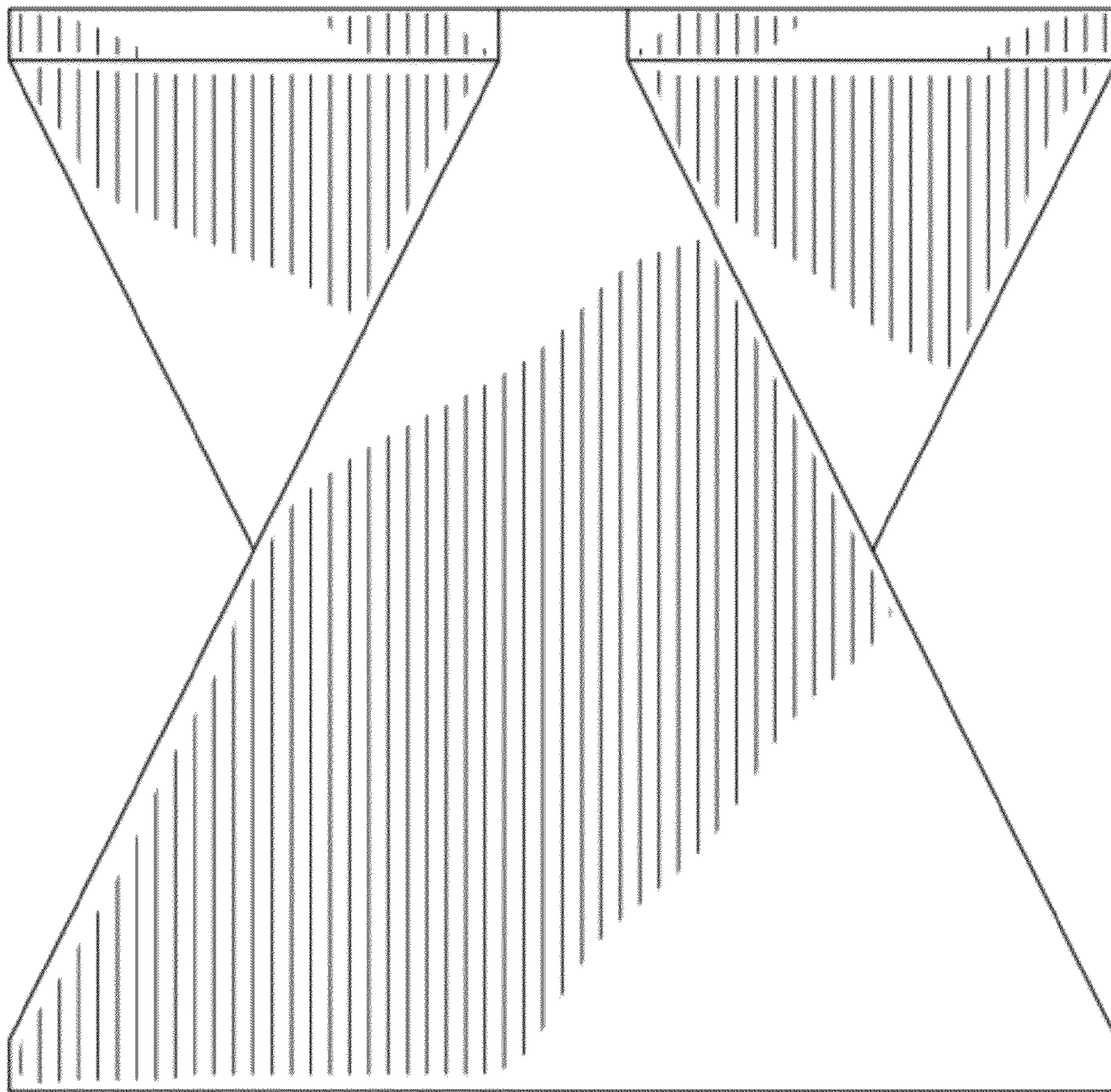


FIG. 3

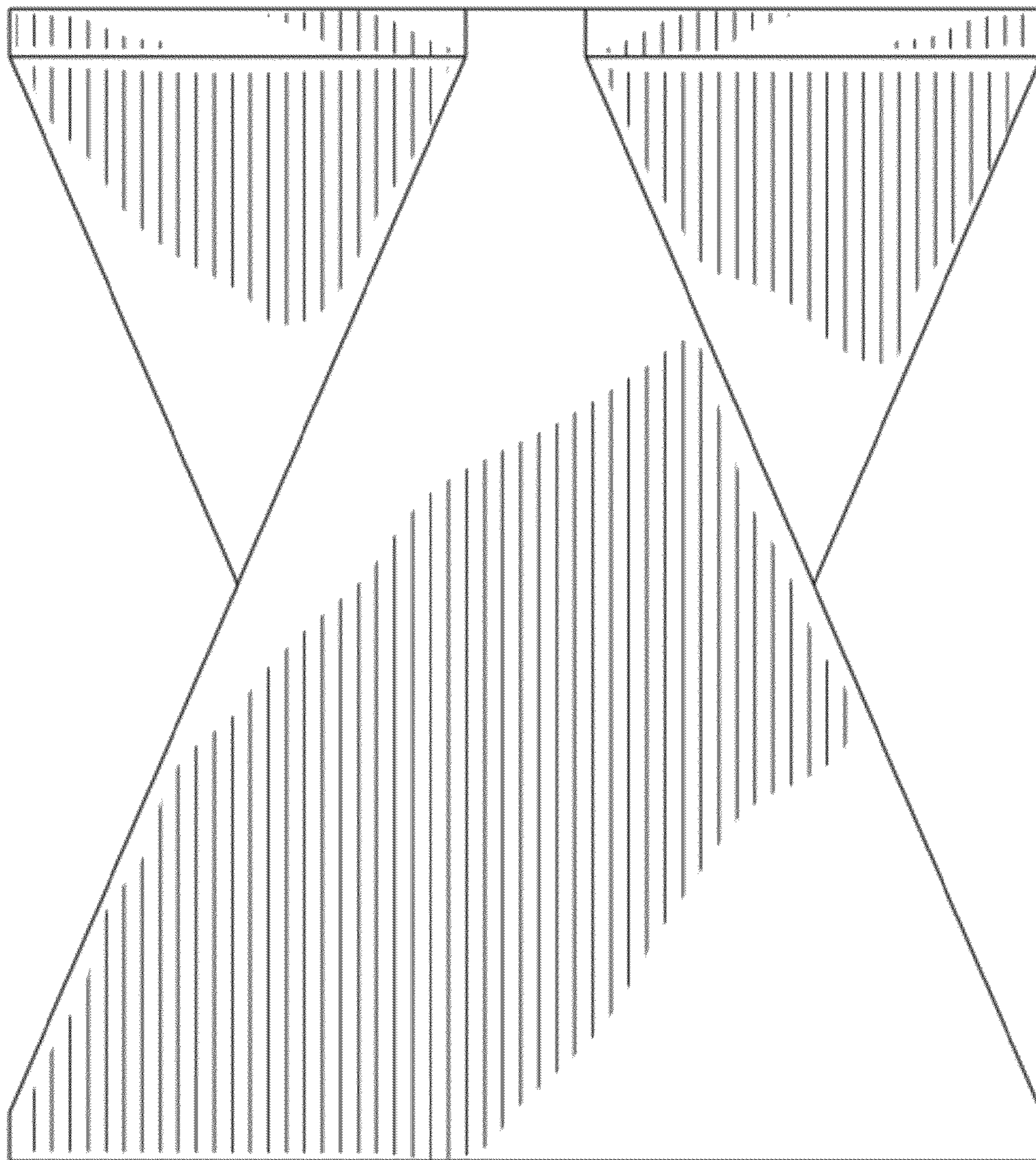


FIG. 4

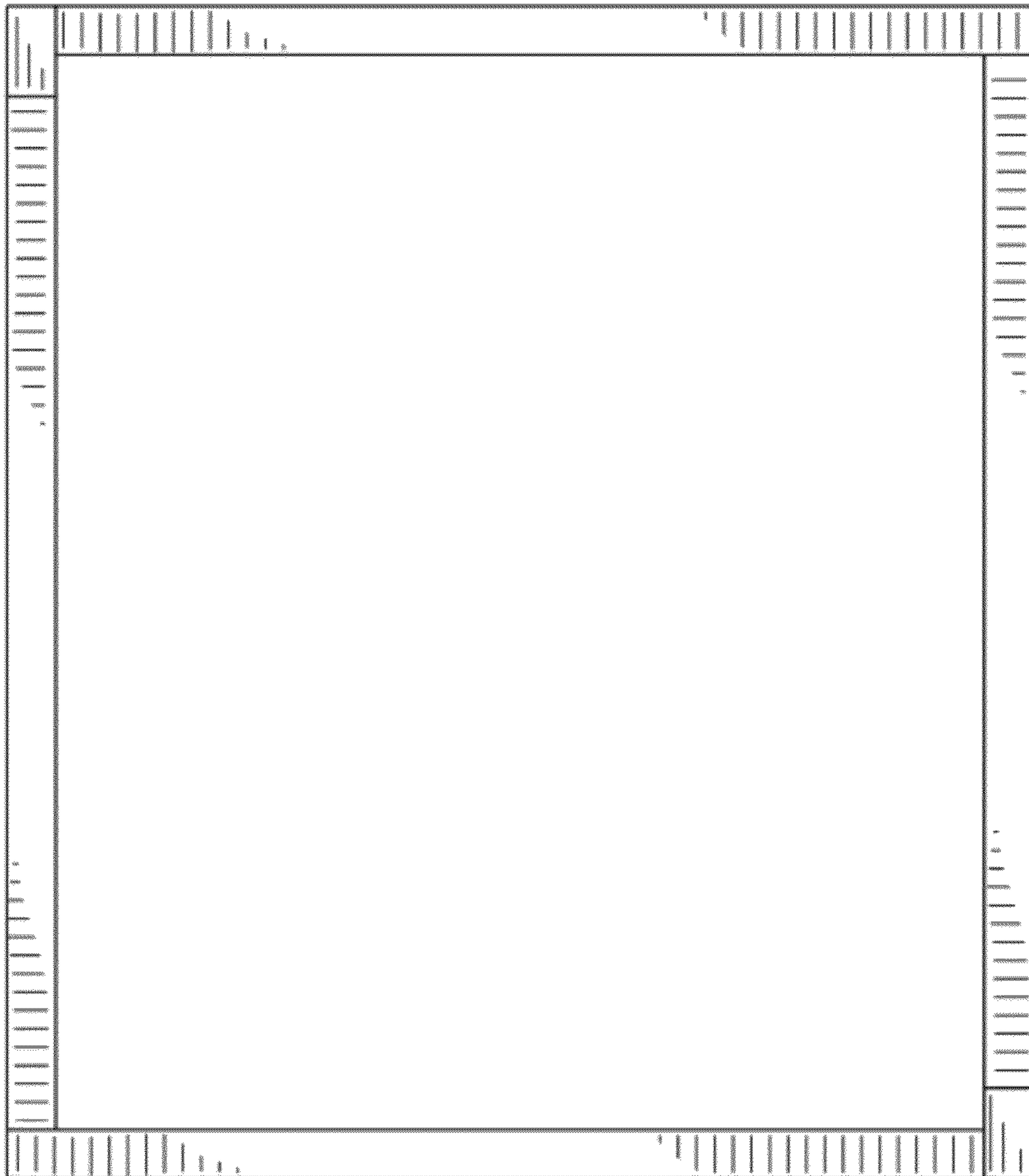


FIG. 5

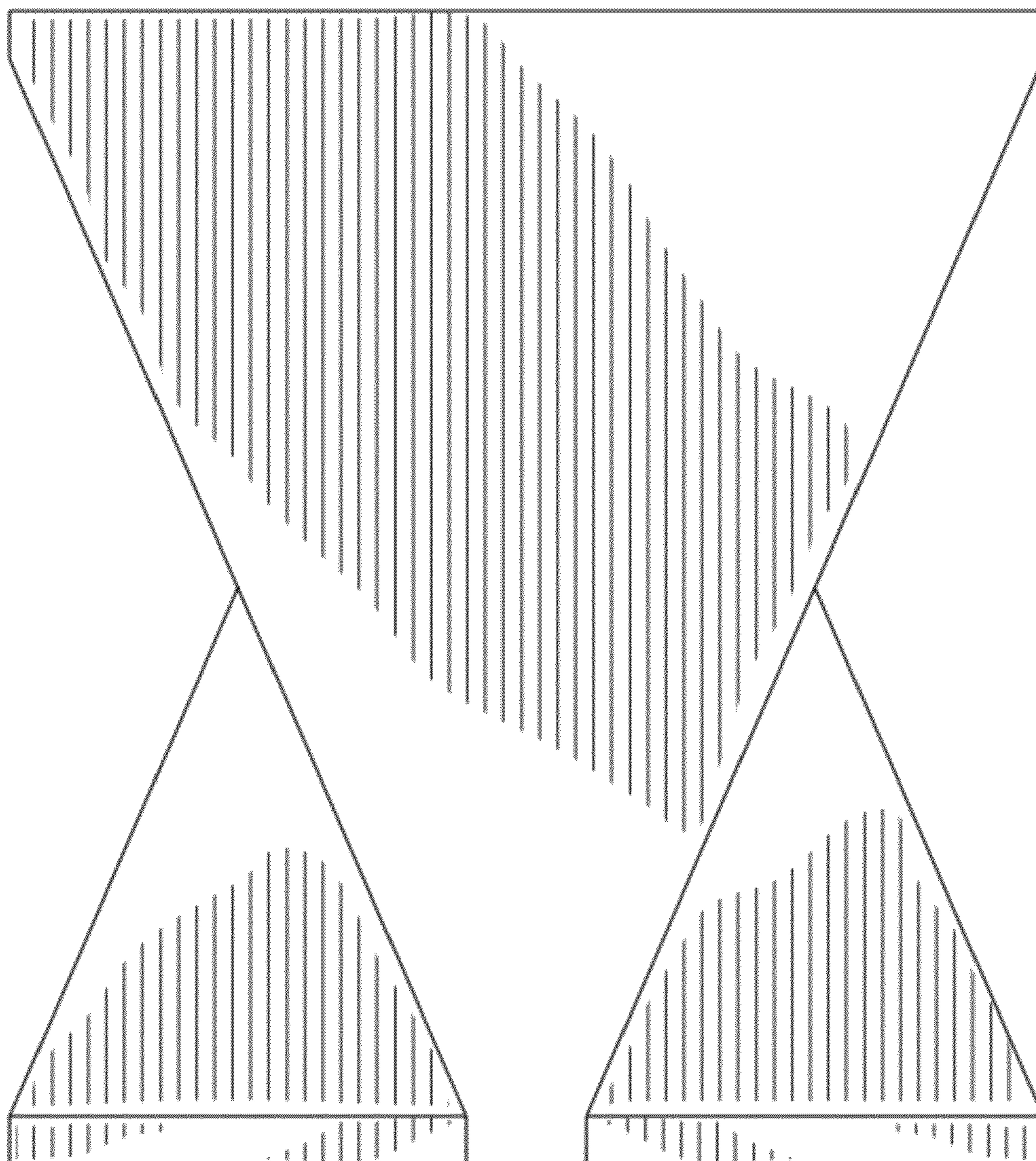


FIG. 6

