

US00D668461S

(12) **United States Design Patent**
Kinder

(10) **Patent No.:** **US D668,461 S**

(45) **Date of Patent:** **** Oct. 9, 2012**

(54) **FREE STANDING WALL**

Primary Examiner — Doris Clark

(76) **Inventor:** **Steven F. Kinder**, Dallas, TX (US)

(74) *Attorney, Agent, or Firm* — W. Thomas Timmons

(**) **Term:** **14 Years**

(57) **CLAIM**

The ornamental design for a free standing wall, as shown and described.

(21) **Appl. No.:** **29/395,322**

(22) **Filed:** **Dec. 30, 2011**

DESCRIPTION

(51) **LOC (9) Cl.** **06-06**

(52) **U.S. Cl.** **D6/332**

(58) **Field of Classification Search** D25/58;

D6/332; 52/220.7, 238.1, 239, 243, 270

See application file for complete search history.

FIG. 1 is a top front left perspective view of a free standing wall showing my new design;

FIG. 2 is a left rear perspective view thereof;

FIG. 3 is a side elevation view thereof, both sides appearing the same;

FIG. 4 is a top view thereof;

FIG. 5 is a top front left perspective view of a free standing wall showing an alternative embodiment of my new design;

FIG. 6 is a top front left perspective view of a free standing wall showing a second alternative embodiment of my new design; and,

FIG. 7 is a top front left perspective view of a free standing wall showing a third alternative embodiment of my new design.

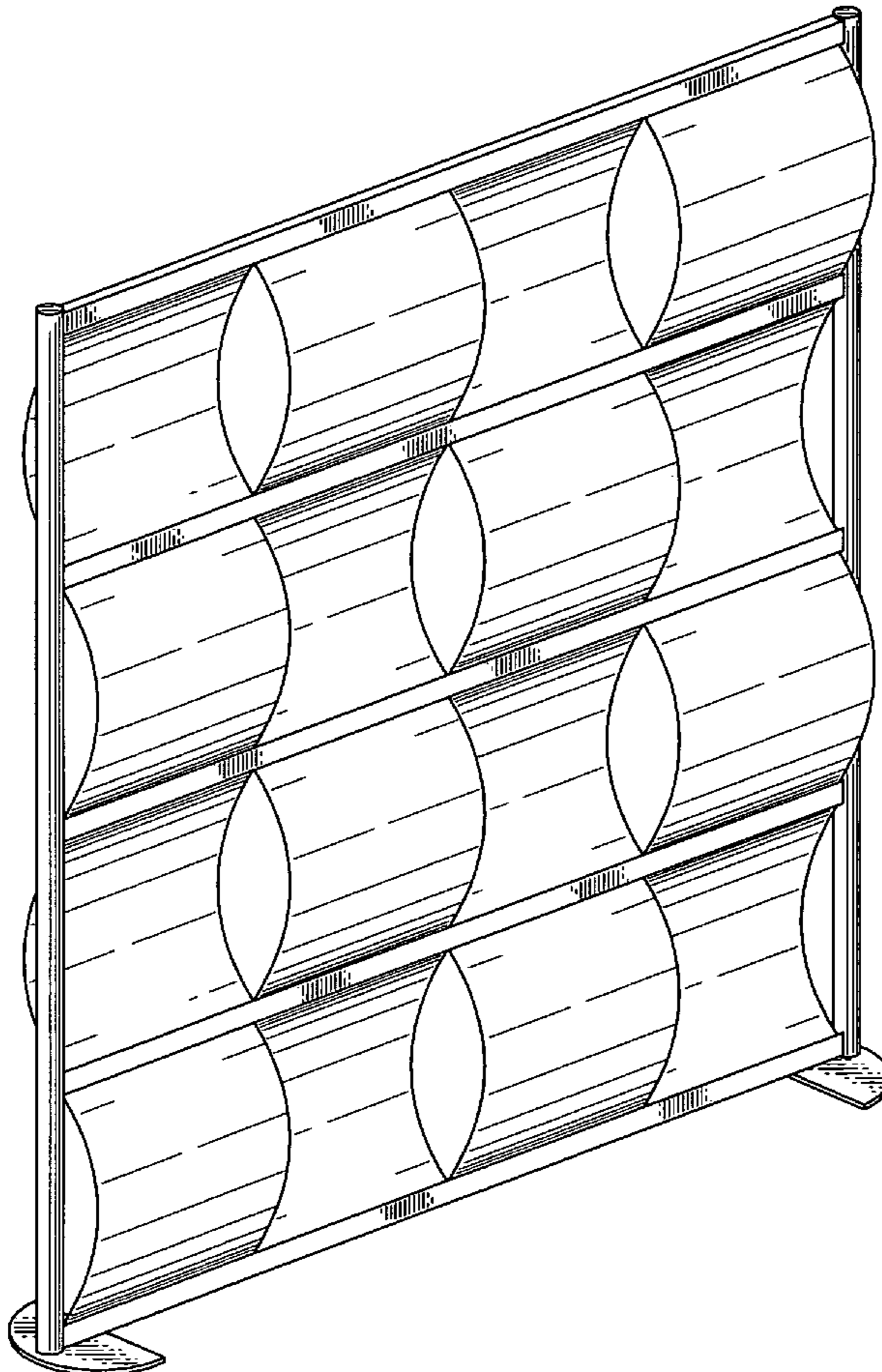
(56) **References Cited**

U.S. PATENT DOCUMENTS

2,891,397	A *	6/1959	Hauer	52/654.1
3,072,230	A *	1/1963	Gelert	52/473
3,310,924	A *	3/1967	Boynton	52/565
3,593,474	A *	7/1971	Neels	52/223.7
5,155,955	A *	10/1992	Ball et al.	52/126.4
D422,797	S *	4/2000	Vincent	D6/332
D599,121	S *	9/2009	White et al.	D6/332

* cited by examiner

1 Claim, 7 Drawing Sheets



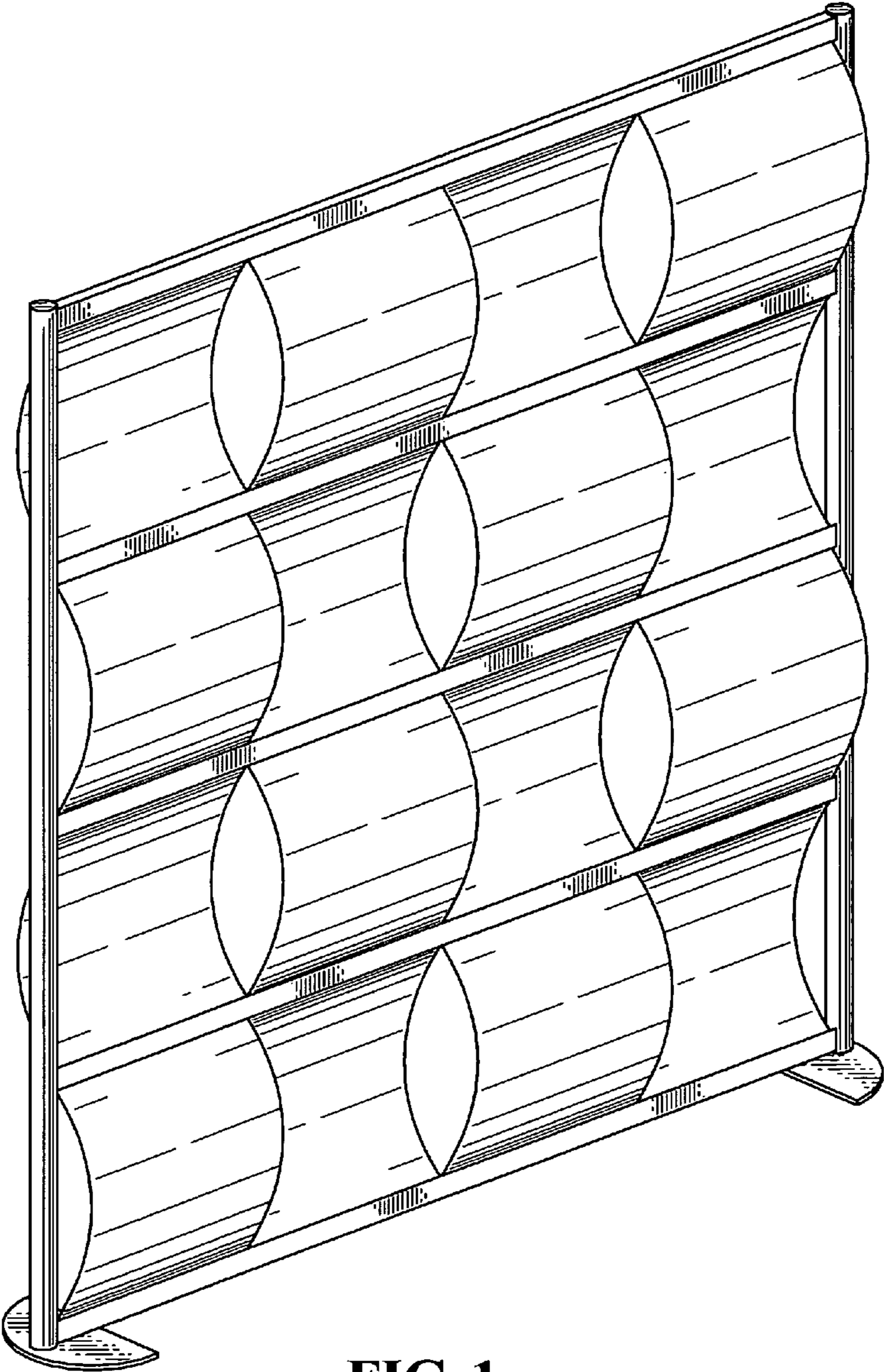
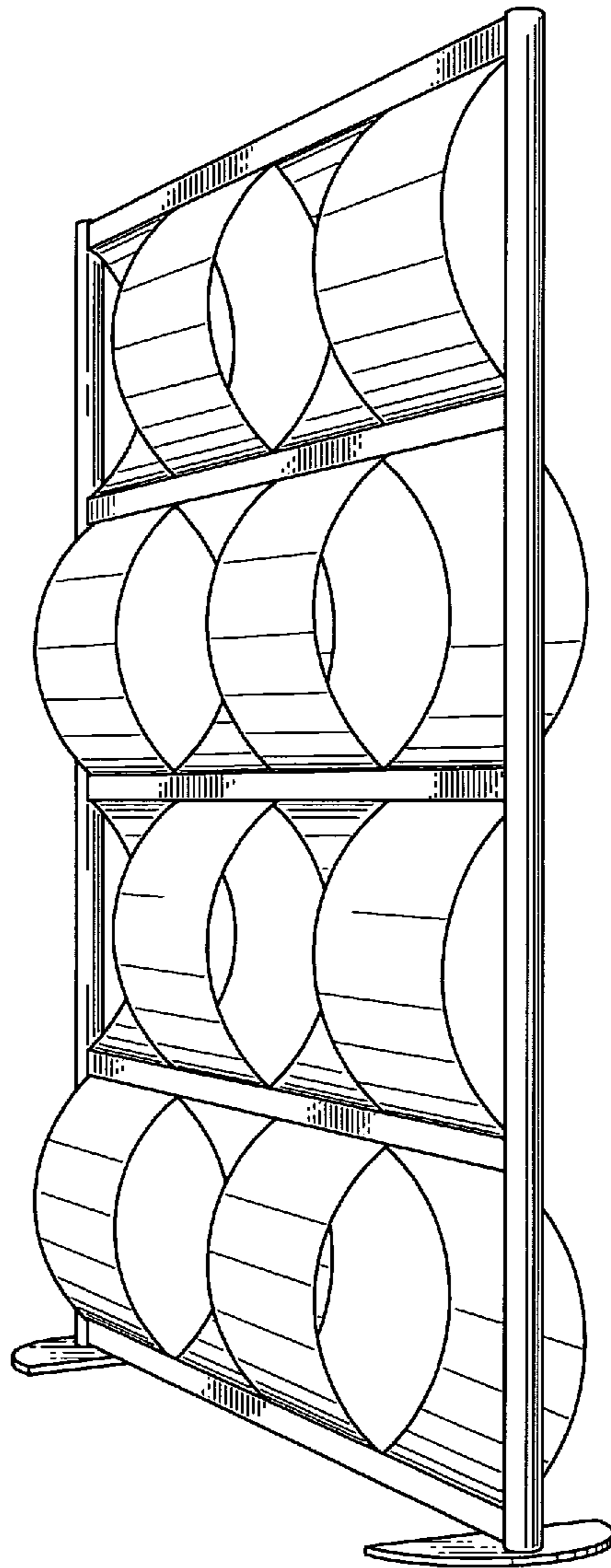


FIG. 1

FIG. 2



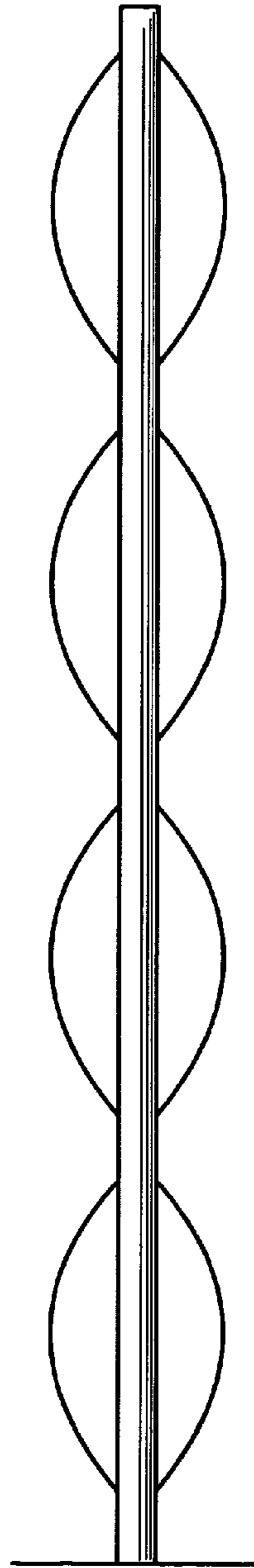


FIG. 3

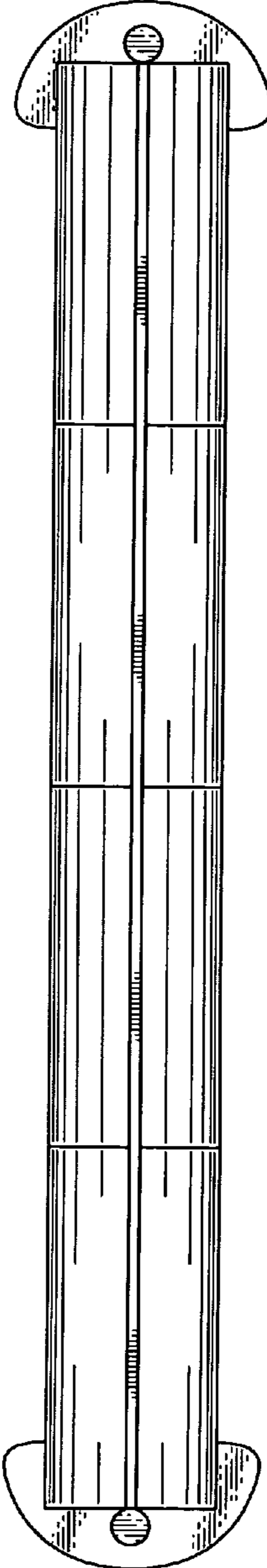


FIG. 4

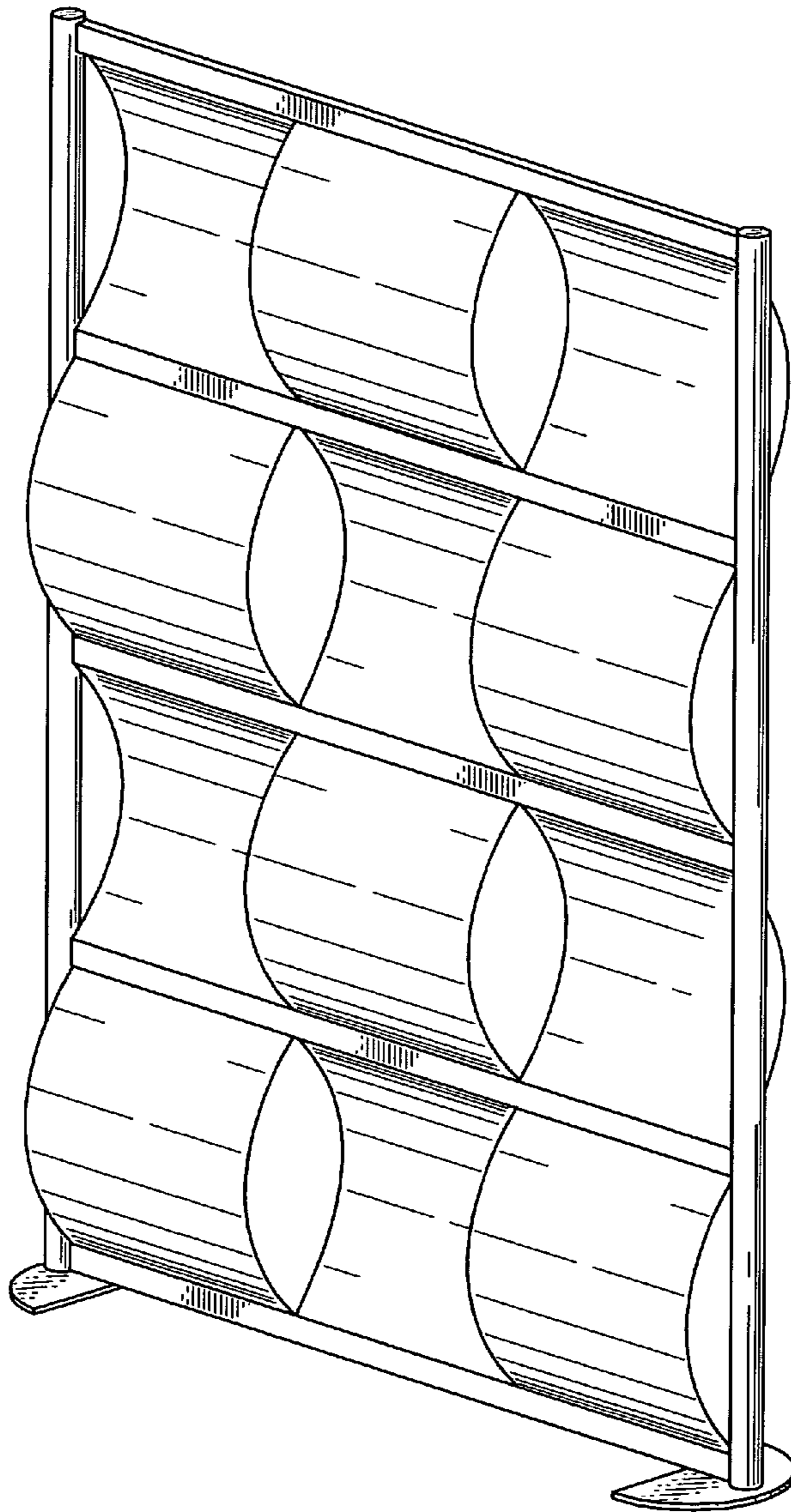


FIG. 5

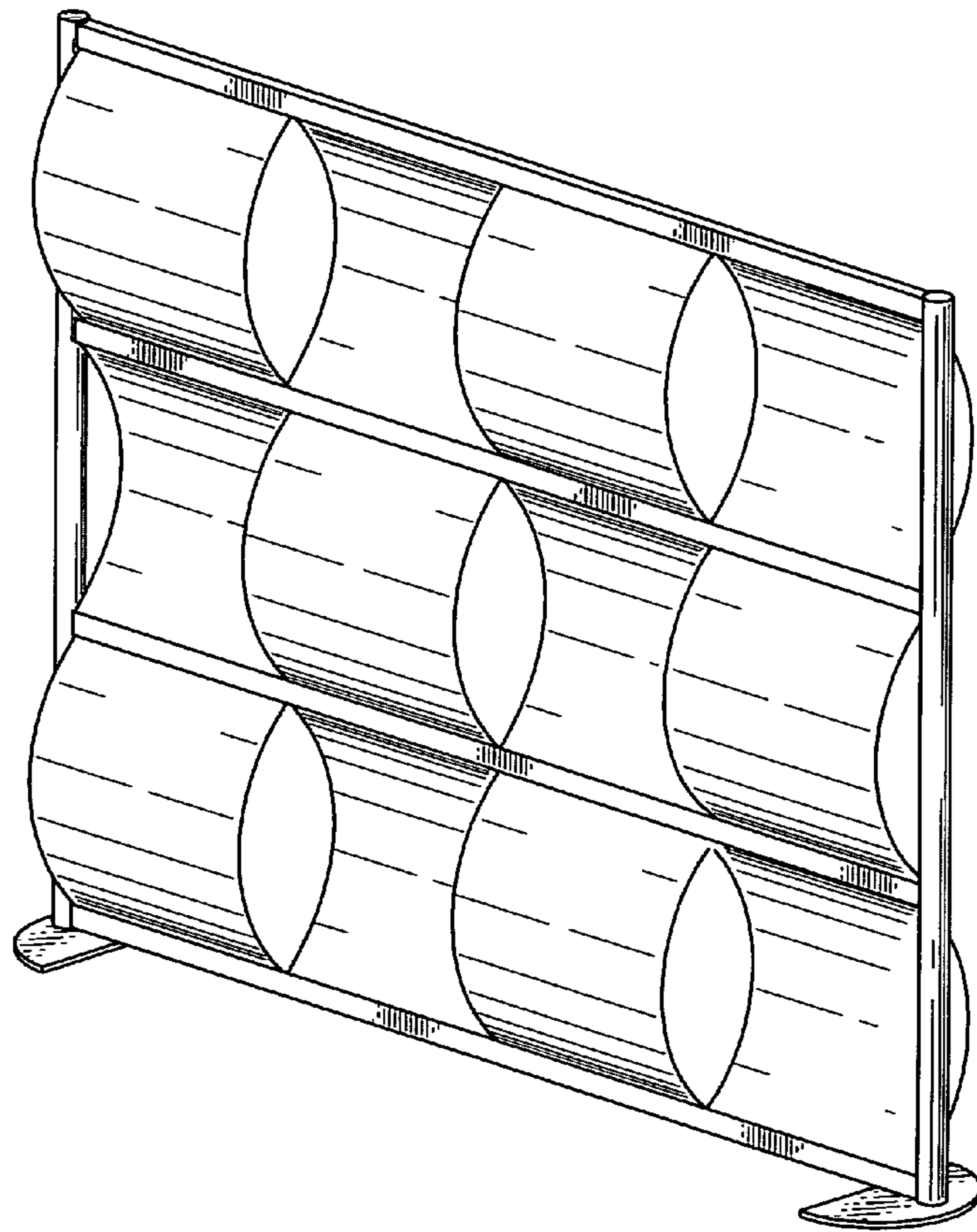


FIG. 6

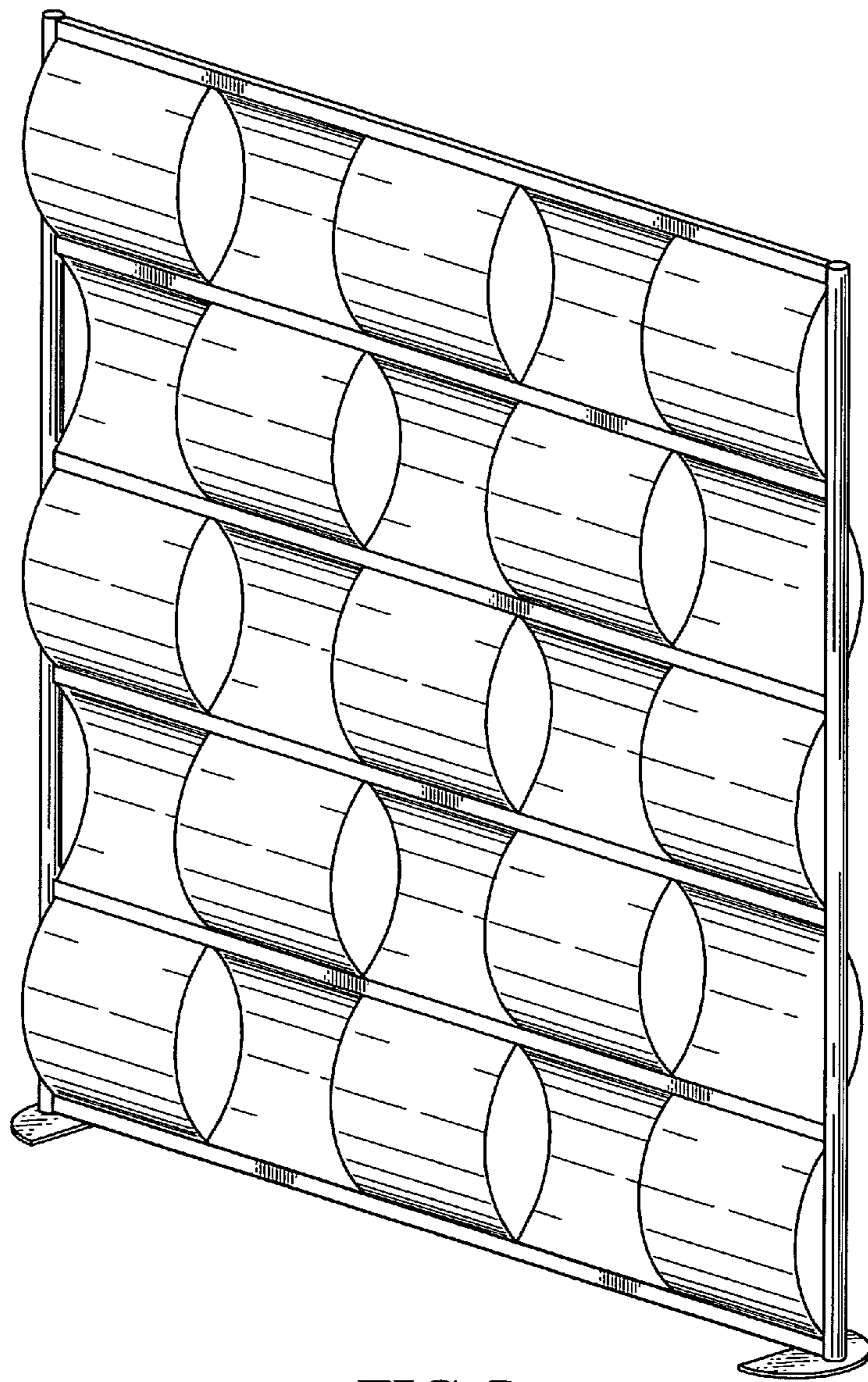


FIG. 7