

US00D668460S

(12) **United States Design Patent**  
**Vazquez**

(10) **Patent No.:** **US D668,460 S**  
(45) **Date of Patent:** **\*\* Oct. 9, 2012**

(54) **TOOTHBRUSH**

(76) Inventor: **Liced Vazquez**, Hialeah, FL (US)

(\*\*) Term: **14 Years**

(21) Appl. No.: **29/396,038**

(22) Filed: **Jun. 24, 2011**

(51) **LOC (9) Cl.** ..... **04-02**

(52) **U.S. Cl.** ..... **D4/108**

(58) **Field of Classification Search** ..... D4/104-112,  
D4/134, 138; 15/110, 167.1, 167.2, 143.1,  
15/188; 132/308-311, 323, 324; 601/139,  
601/1, 141; 401/132, 133, 152, 183, 184

See application file for complete search history.

(56) **References Cited**

U.S. PATENT DOCUMENTS

D276,005	S	*	10/1984	Fido	.....	D4/104
4,887,621	A		12/1989	Vallieres		
D379,720	S	*	6/1997	Collins	.....	D4/108
5,676,167	A		10/1997	Garner		
D423,785	S	*	5/2000	Karallis	.....	D4/108
D440,049	S	*	4/2001	De Mond et al.	.....	D4/108
D477,716	S	*	7/2003	Roberson	.....	D4/104
6,766,807	B2		7/2004	Piccolo et al.		

7,201,172 B2 4/2007 Nanda  
7,237,560 B2 7/2007 Macias et al.  
2003/0188761 A1\* 10/2003 Garcia et al. .... 132/309

FOREIGN PATENT DOCUMENTS

KR 20020063152 A \* 8/2002

\* cited by examiner

*Primary Examiner* — Melanie H Tung  
*Assistant Examiner* — Lavone D Tabor

(57) **CLAIM**

The ornamental design for a toothbrush, as shown and described.

**DESCRIPTION**

FIG. 1 is a right elevation view of a toothbrush showing my new design, the opposite side being a mirror image of the side shown;

FIG. 2 is a front elevation view thereof;

FIG. 3 is a rear elevation view thereof;

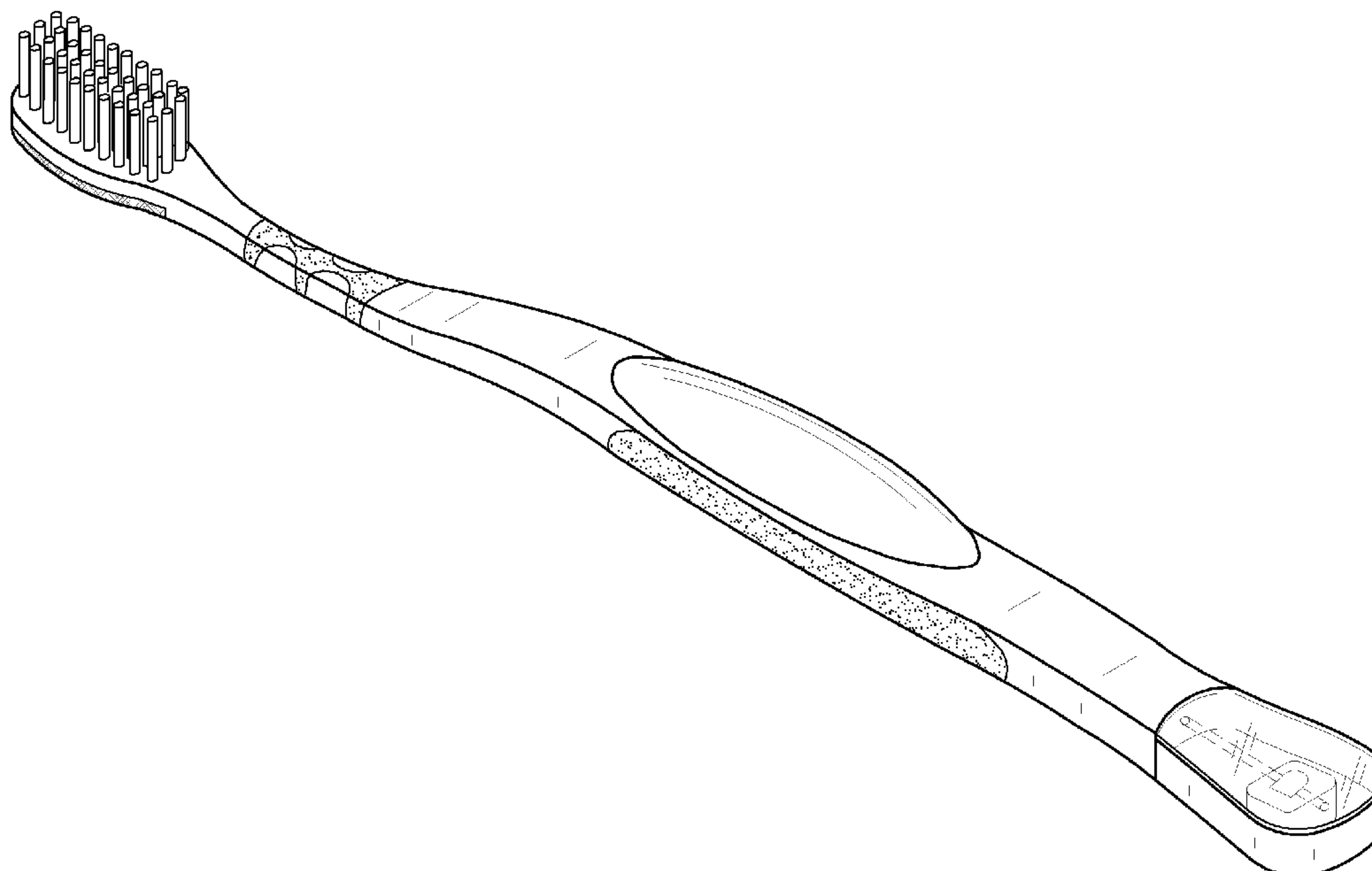
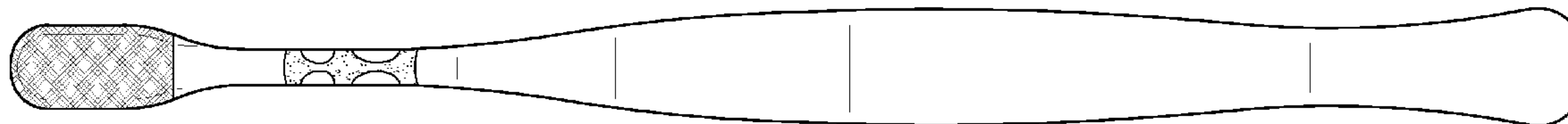
FIG. 4 is a top plan view thereof;

FIG. 5 is a bottom plan view thereof; and,

FIG. 6 is an isometric view thereof.

The broken-line feature shown within the handle in FIG. 6 forms no part of the claimed design.

**1 Claim, 2 Drawing Sheets**



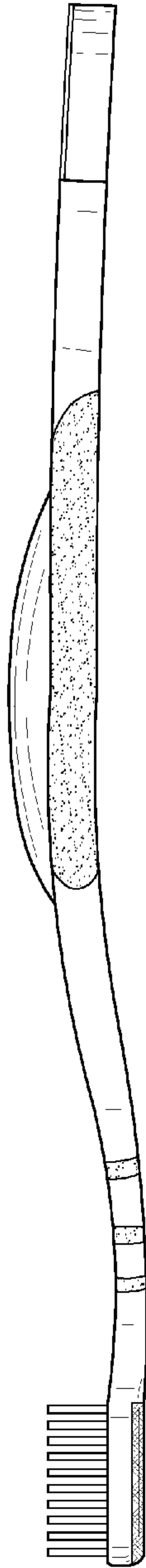


FIG. 1

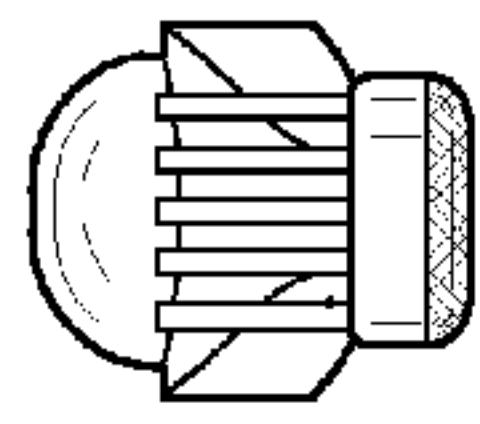


FIG. 2

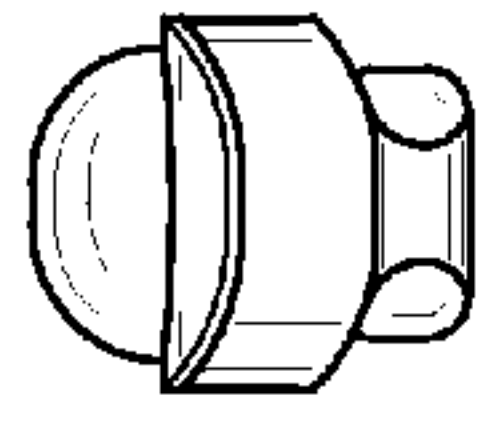


FIG. 3



FIG. 4



FIG. 5

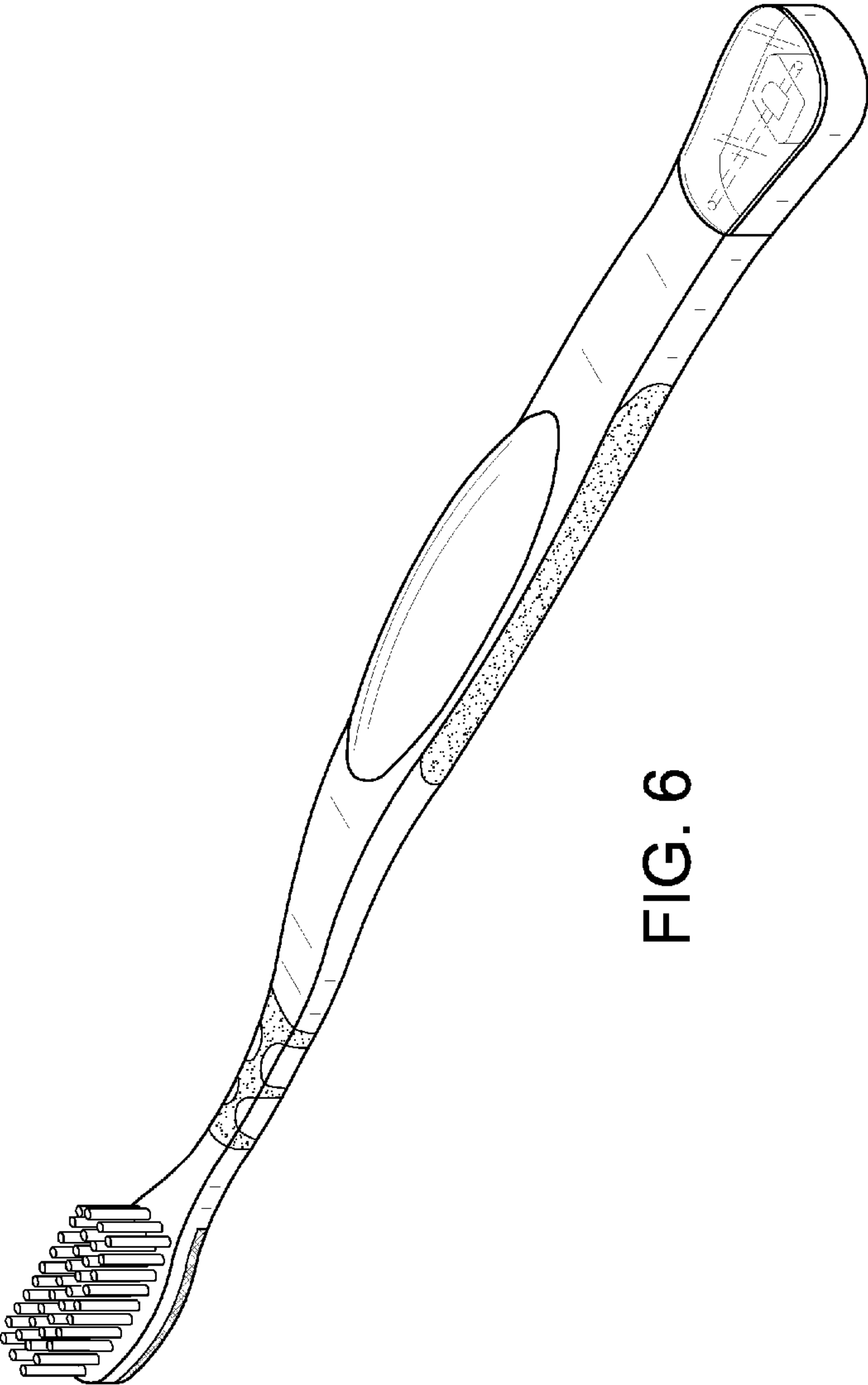


FIG. 6