



US00D668459S

(12) **United States Design Patent**  
**Kvols et al.**

(10) **Patent No.:** **US D668,459 S**  
(45) **Date of Patent:** **\*\* Oct. 9, 2012**

(54) **INSERT FOR A CONTAINER**  
(75) Inventors: **Kevin Kvols**, Steamboat Springs, CO (US); **Stephen Schloesser**, Colorado Springs, CO (US)

6,598,756 B1 7/2003 Rosenfeldt  
D496,530 S 9/2004 Wolf  
D501,720 S 2/2005 Hussaini et al.  
D594,657 S 6/2009 McAlpine  
7,552,826 B2 6/2009 Watanabe  
2010/0170873 A1 7/2010 Lopez

(73) Assignee: **Diversified Fixtures, Inc.**, Colorado Springs, CO (US)

**FOREIGN PATENT DOCUMENTS**

(\*\*) **Term:** **14 Years**

GB 2299132 9/1996  
GB 2347668 9/2000  
WO WO 92/21574 12/1992  
WO WO 93/17930 9/1993  
WO WO 03/106279 12/2003

(21) Appl. No.: **29/398,140**

\* cited by examiner

(22) Filed: **Jul. 26, 2011**

*Primary Examiner* — Holly Baynham

(51) **LOC (9) Cl.** ..... **03-01**

(74) *Attorney, Agent, or Firm* — Knobbe Martens Olson & Bear LLP

(52) **U.S. Cl.** ..... **D3/318**

(58) **Field of Classification Search** ..... D3/272–273,  
D3/294, 318; 206/238.1, 278, 457, 215,  
206/555

See application file for complete search history.

(57) **CLAIM**

The ornamental design for an insert for a container, as shown and described.

(56) **References Cited**

**DESCRIPTION**

**U.S. PATENT DOCUMENTS**

3,323,674 A 6/1967 Nist, Jr.  
3,712,499 A 1/1973 Talbert  
3,990,599 A 11/1976 Rowley  
4,024,977 A 5/1977 Rowley  
4,083,464 A 4/1978 Burnett  
4,449,662 A 5/1984 Okamura et al.  
4,453,471 A 6/1984 Harrington et al.  
4,461,395 A 7/1984 Burnett  
4,796,392 A 1/1989 Graham, Jr.  
5,311,996 A 5/1994 Duffy et al.  
5,535,909 A 7/1996 Philip  
5,555,980 A 9/1996 Johnston et al.  
D375,201 S \* 11/1996 Karr et al. .... D3/318  
5,617,967 A 4/1997 Neidhart  
6,003,449 A 12/1999 Manidis  
D423,220 S \* 4/2000 McDade ..... D3/318  
6,299,011 B1 10/2001 Rosenfeldt  
D473,052 S 4/2003 Dehenau

FIG. 1 is a top, front and side perspective view of a first embodiment of an insert for a container embodying my new design.

FIG. 2 is a bottom view thereof.

FIG. 3 is a top view thereof.

FIG. 4 is a side view thereof

FIG. 5 is a side view thereof opposite the side view of FIG. 4.

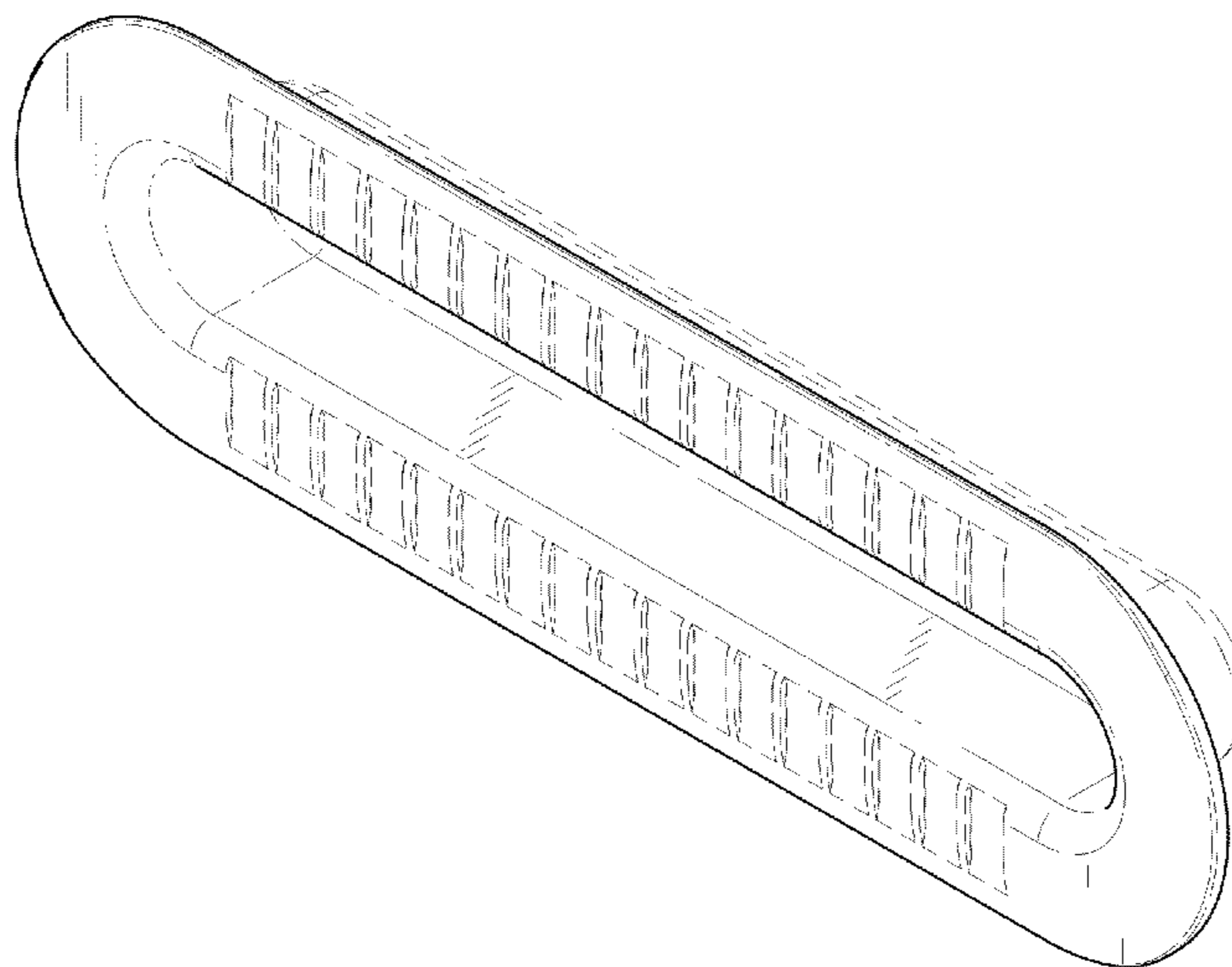
FIG. 6 is a front view thereof.

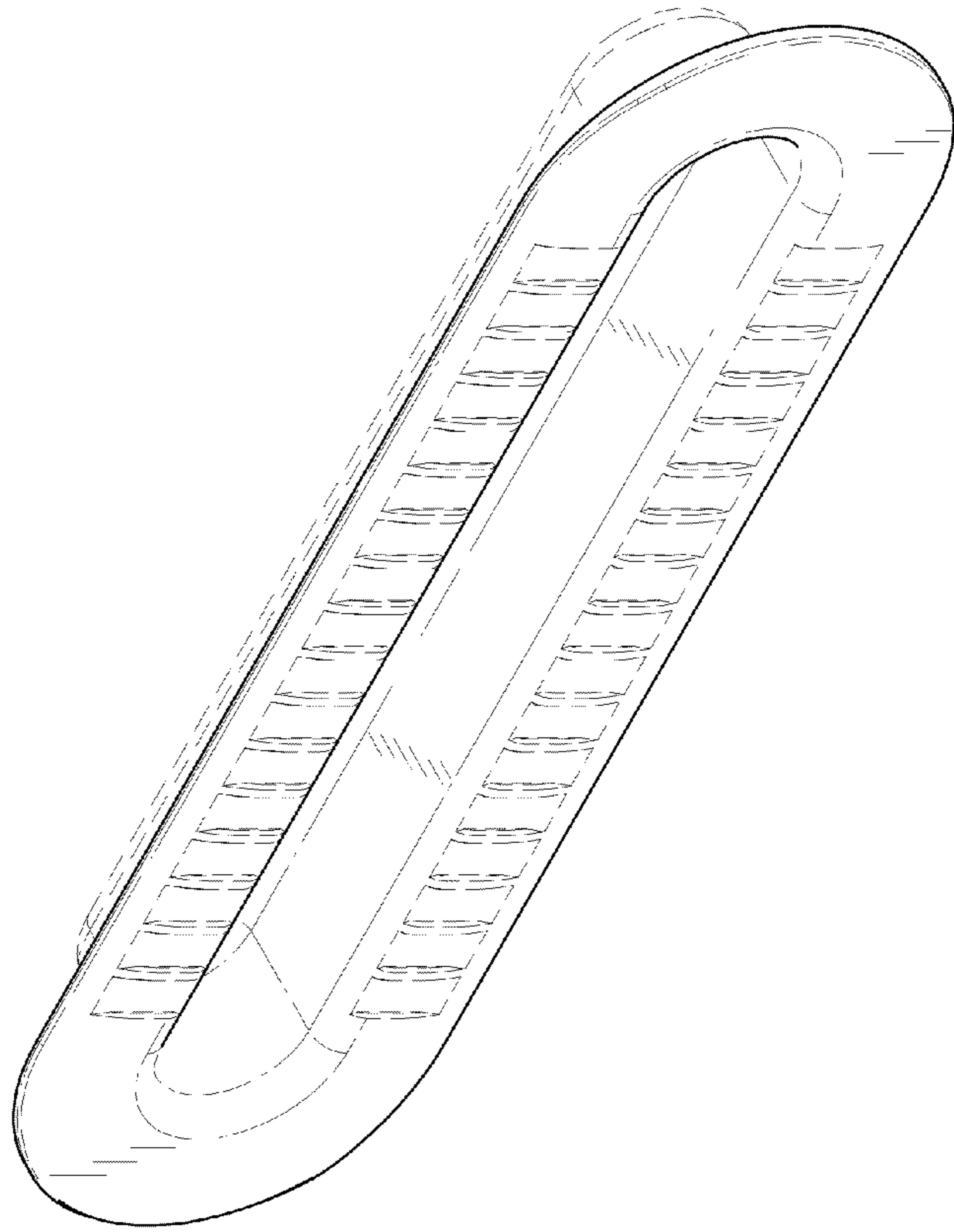
FIG. 7 is a back view thereof; and,

FIG. 8 is a reduced scale, environmental view thereof.

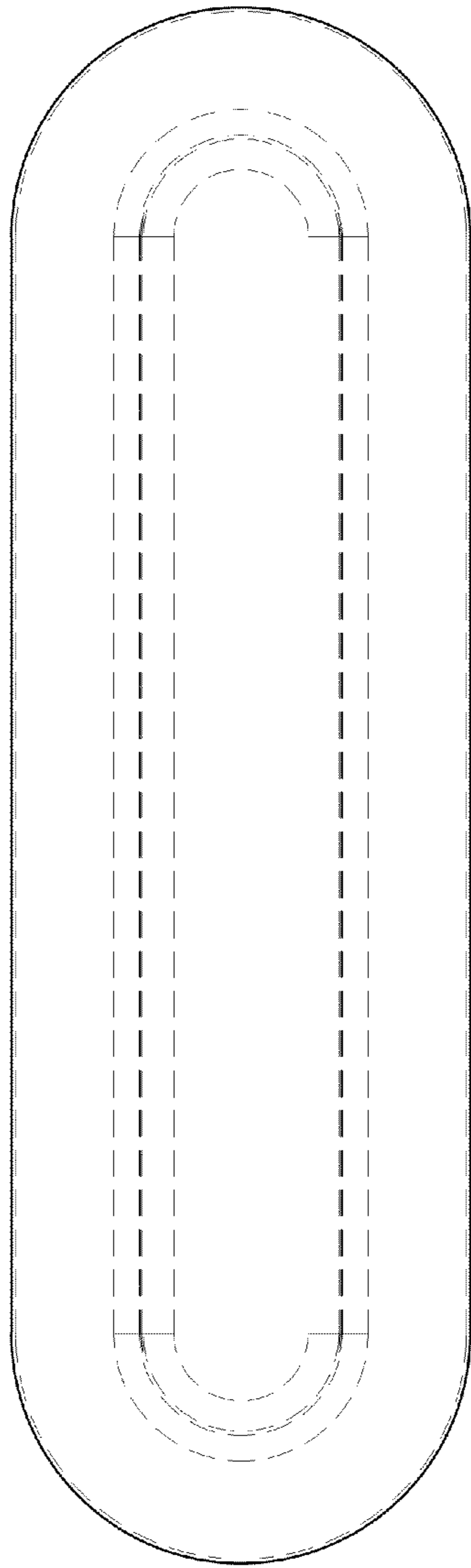
The broken lines showing portions of the insert are for the purpose of illustrating environment and form no part of the claimed design. The broken lines showing the container are also for the purpose of illustrating environment and form no part of the claimed design.

**1 Claim, 5 Drawing Sheets**

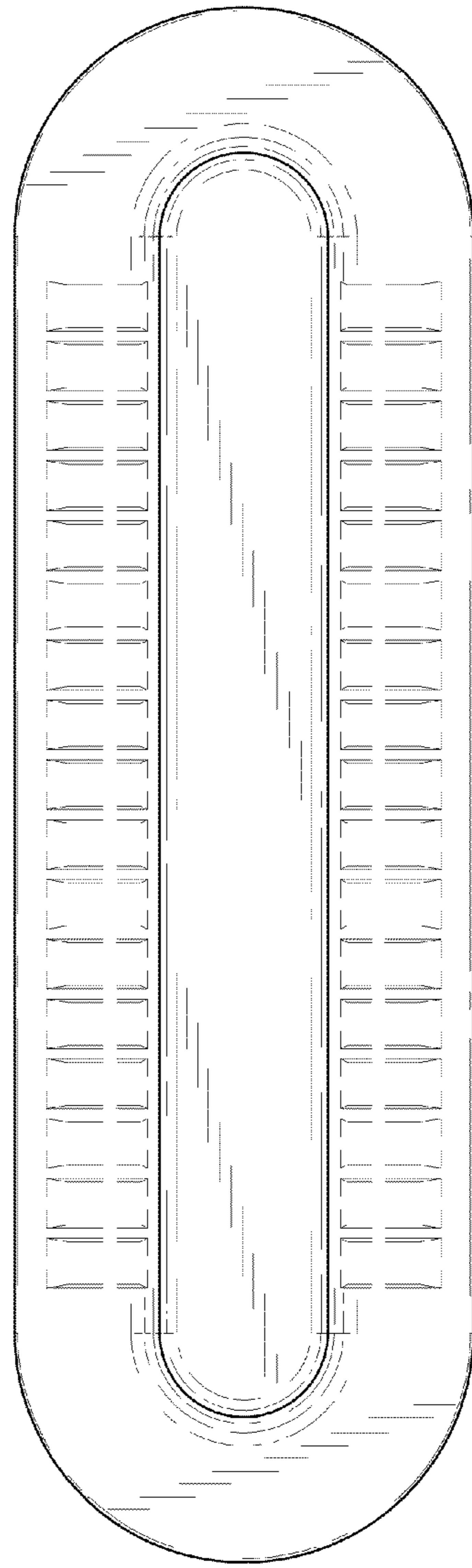




*FIG. 1*



*FIG. 2*



*FIG. 3*

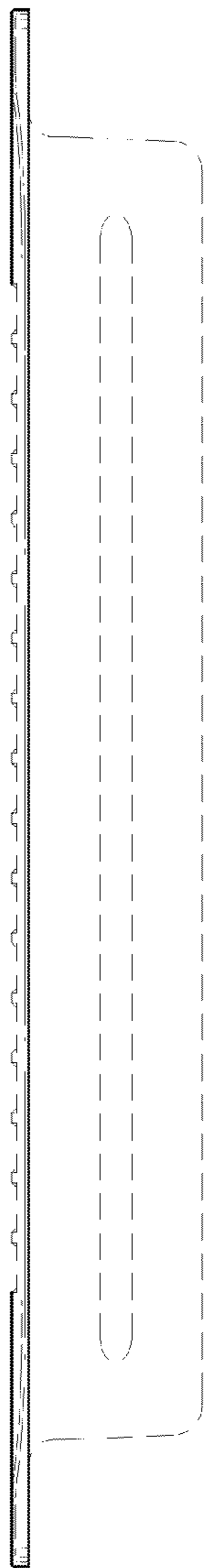


FIG. 4

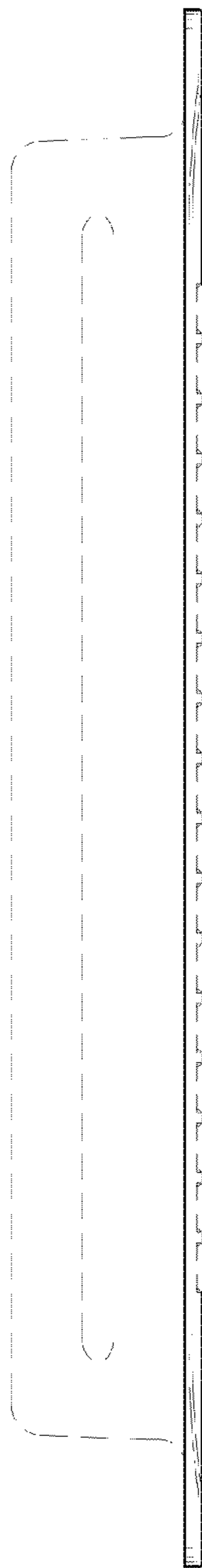
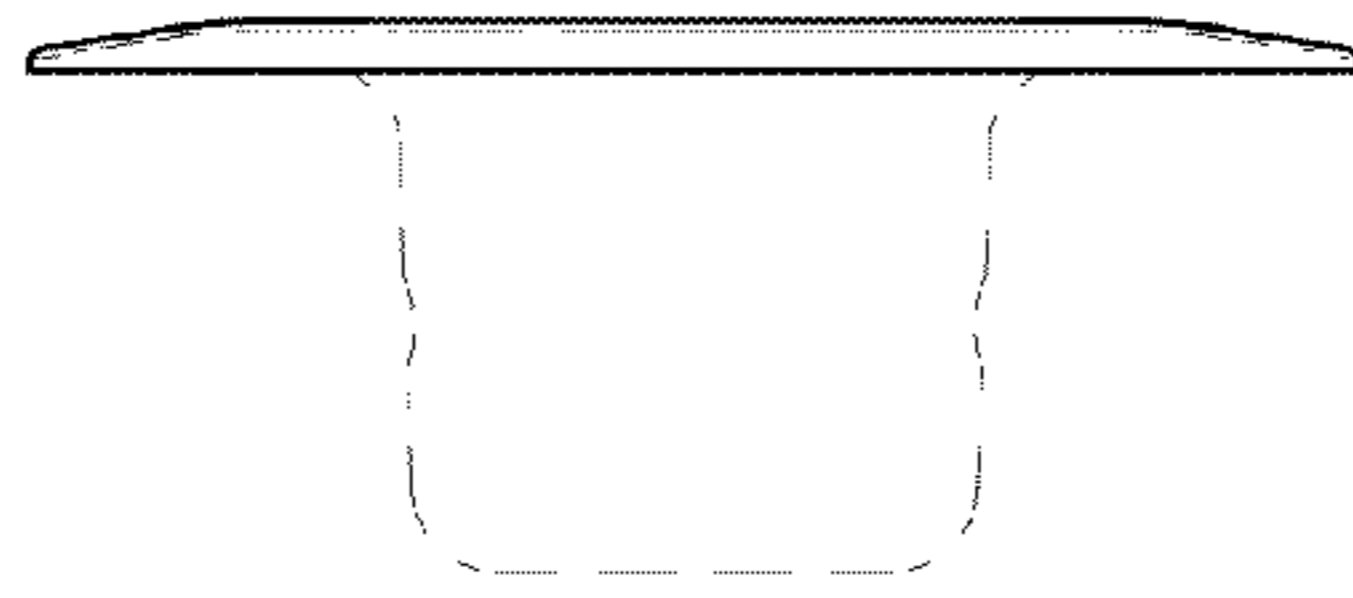
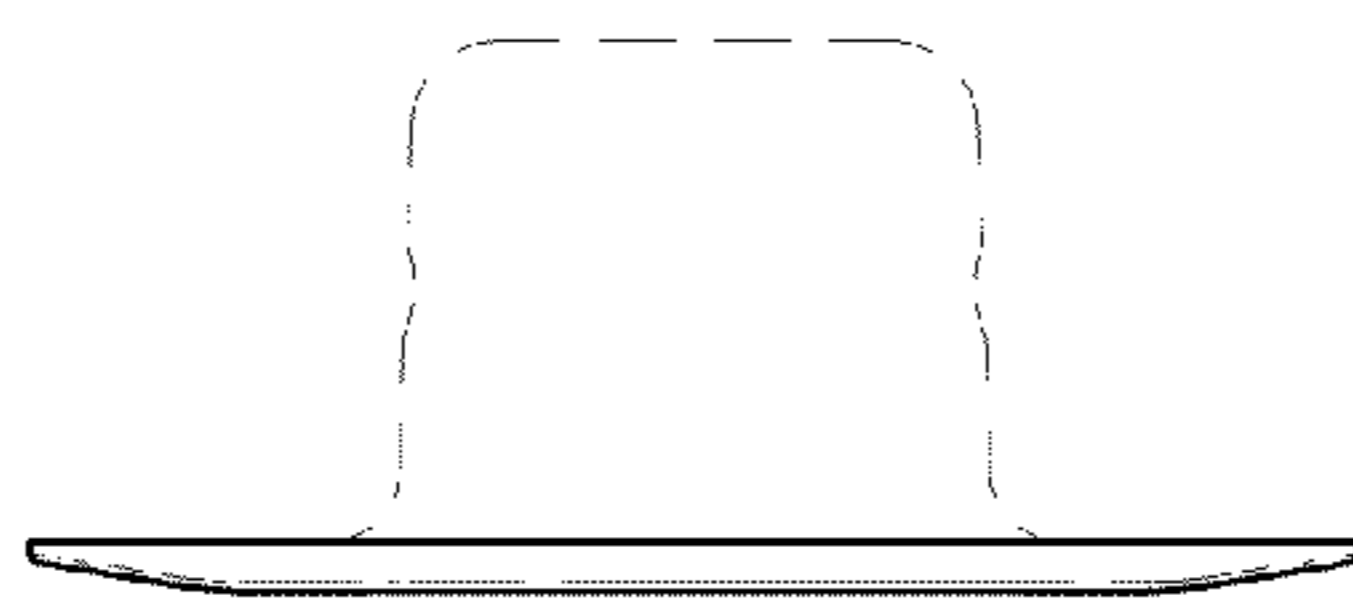


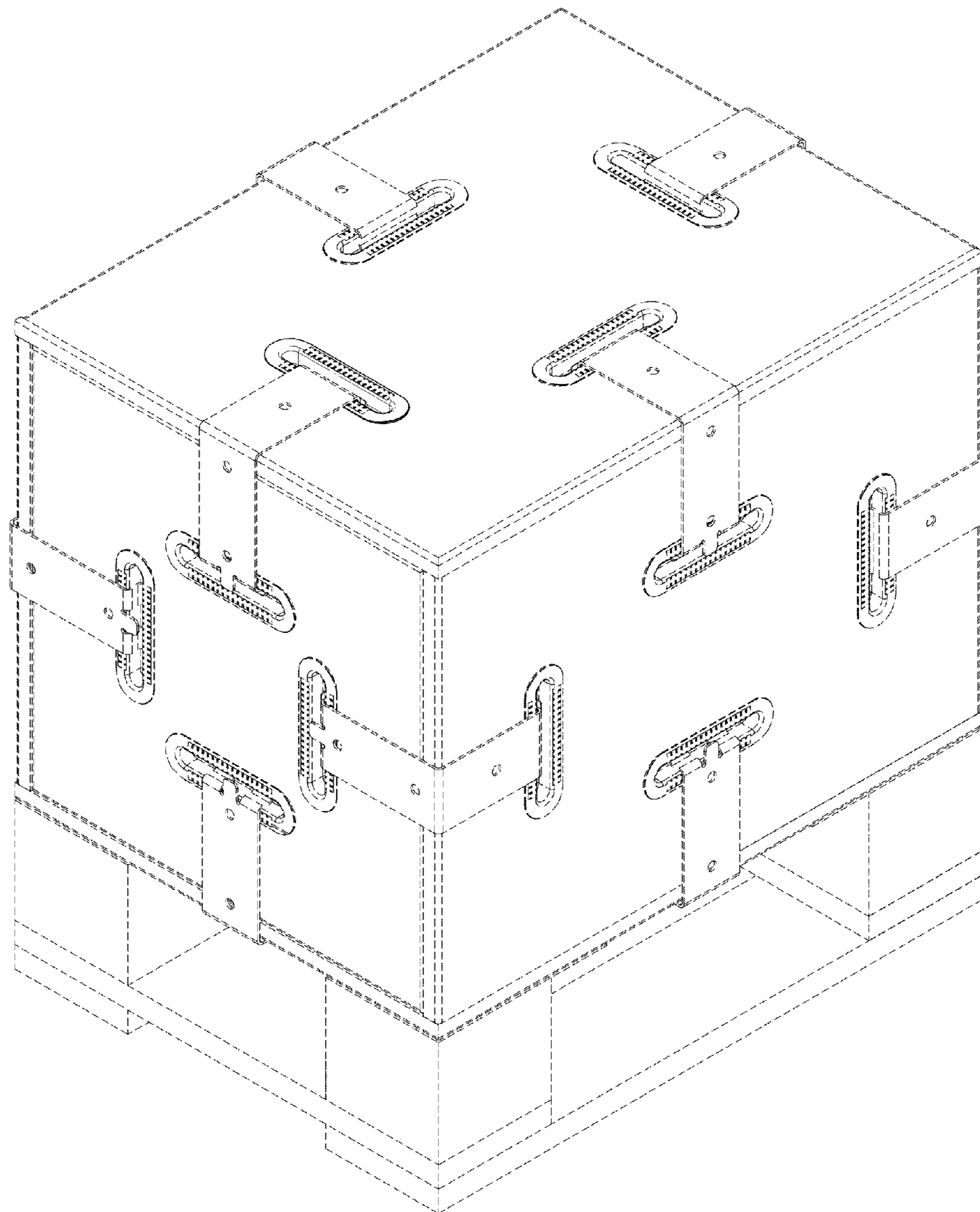
FIG. 5



*FIG. 7*



*FIG. 6*



*FIG. 8*