



US00D668457S

(12) **United States Design Patent**
Mimlitch, III et al.

(10) **Patent No.:** **US D668,457 S**
(45) **Date of Patent:** **** Oct. 9, 2012**

(54) **CARRYING CASE FOR HOLDING TOY ROBOTS**

Primary Examiner — Holly Baynham
(74) *Attorney, Agent, or Firm* — Adam A. Sacharoff

(75) Inventors: **Robert H. Mimlitch, III**, Rowlett, TX (US); **David A. Norman**, Greenville, TX (US); **Douglas Galletti**, Allen, TX (US); **Joel Carter**, Argyle, TX (US); **Gregory Lavender**, Rockwall, TX (US); **Gregory Needel**, Rockwall, TX (US); **Christopher Robert Troyak**, Plano, TX (US); **Jeffrey Russell Waegelin**, Rockwall, TX (US); **Brian Richard Delaney**, Rockwall, TX (US)

(57) **CLAIM**
The ornamental design for a carrying case for holding toy robots, as shown and described.

(73) Assignee: **Innovation First, Inc.**, Greenville, TX (US)

DESCRIPTION

(**) Term: **14 Years**

FIG. 1 is a top perspective view showing a first embodiment of the carrying case for holding toy robots illustrated in a closed position;
FIG. 2 is a bottom perspective view of FIG. 1;
FIG. 3 is a front side view of FIG. 1;
FIG. 4 is a left side view of FIG. 1;
FIG. 5 is a right side view of FIG. 1;
FIG. 6 is a back side view of FIG. 1;
FIG. 7 is a top side view of FIG. 1; and
FIG. 8 is a bottom side view of FIG. 1.
FIG. 9 is a top perspective view showing the carrying case for holding toy robots illustrated in an opened position;
FIG. 10 is a bottom perspective view of FIG. 9;
FIG. 11 is a top side view of FIG. 9;
FIG. 12 is a front side view of FIG. 9;
FIG. 13 is a back side view of FIG. 9;
FIG. 14 is a left side view of FIG. 9;
FIG. 15 is a right side view of FIG. 9;
FIG. 16 is an enlarged perspective view of box 16 from FIG. 9;
FIG. 17 is an enlarged perspective view of box 17 from FIG. 9; and,
FIG. 18 is a bottom side view of FIG. 9.
The elements of the interior of the box are shown enlarged for clarity of illustration.

(21) Appl. No.: **29/399,679**

(22) Filed: **Aug. 17, 2011**

(51) **LOC (9) Cl.** **03-01**

(52) **U.S. Cl.** **D3/294**

(58) **Field of Classification Search** D3/272-273,
D3/294; 206/278, 457, 215, 555, 1.5, 235,
206/265

See application file for complete search history.

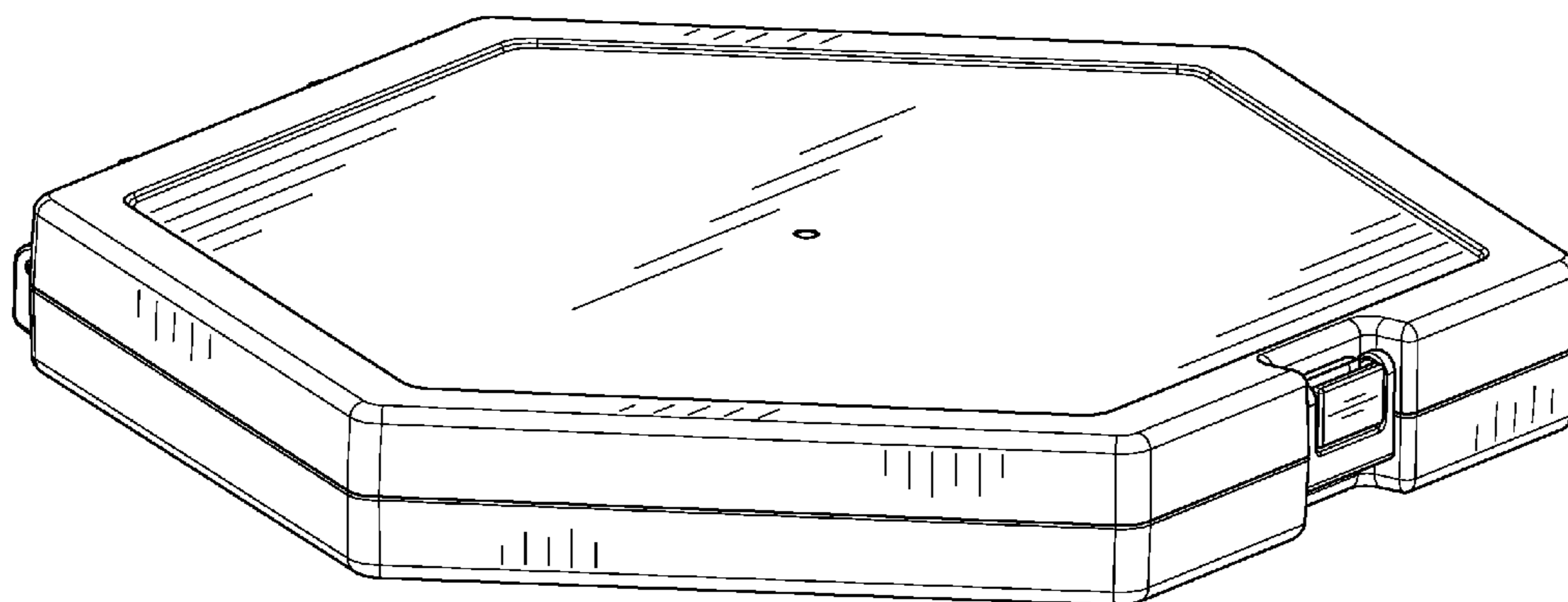
(56) **References Cited**

U.S. PATENT DOCUMENTS

3,888,349	A *	6/1975	MacFarland, Jr.	206/457
6,244,439	B1 *	6/2001	Dennis	206/457
D575,508	S *	8/2008	Shanahan	D3/271.1
8,011,509	B1 *	9/2011	Sakamaki et al.	206/457

* cited by examiner

1 Claim, 18 Drawing Sheets



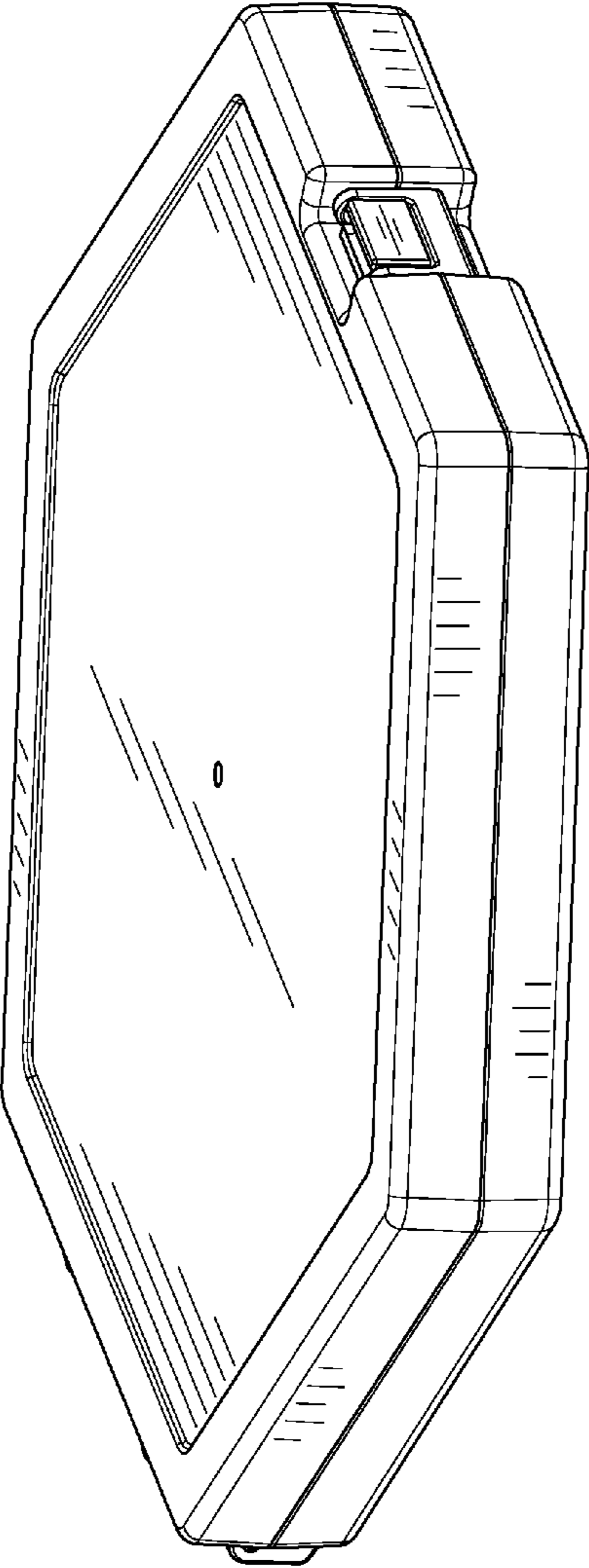


FIG. 1

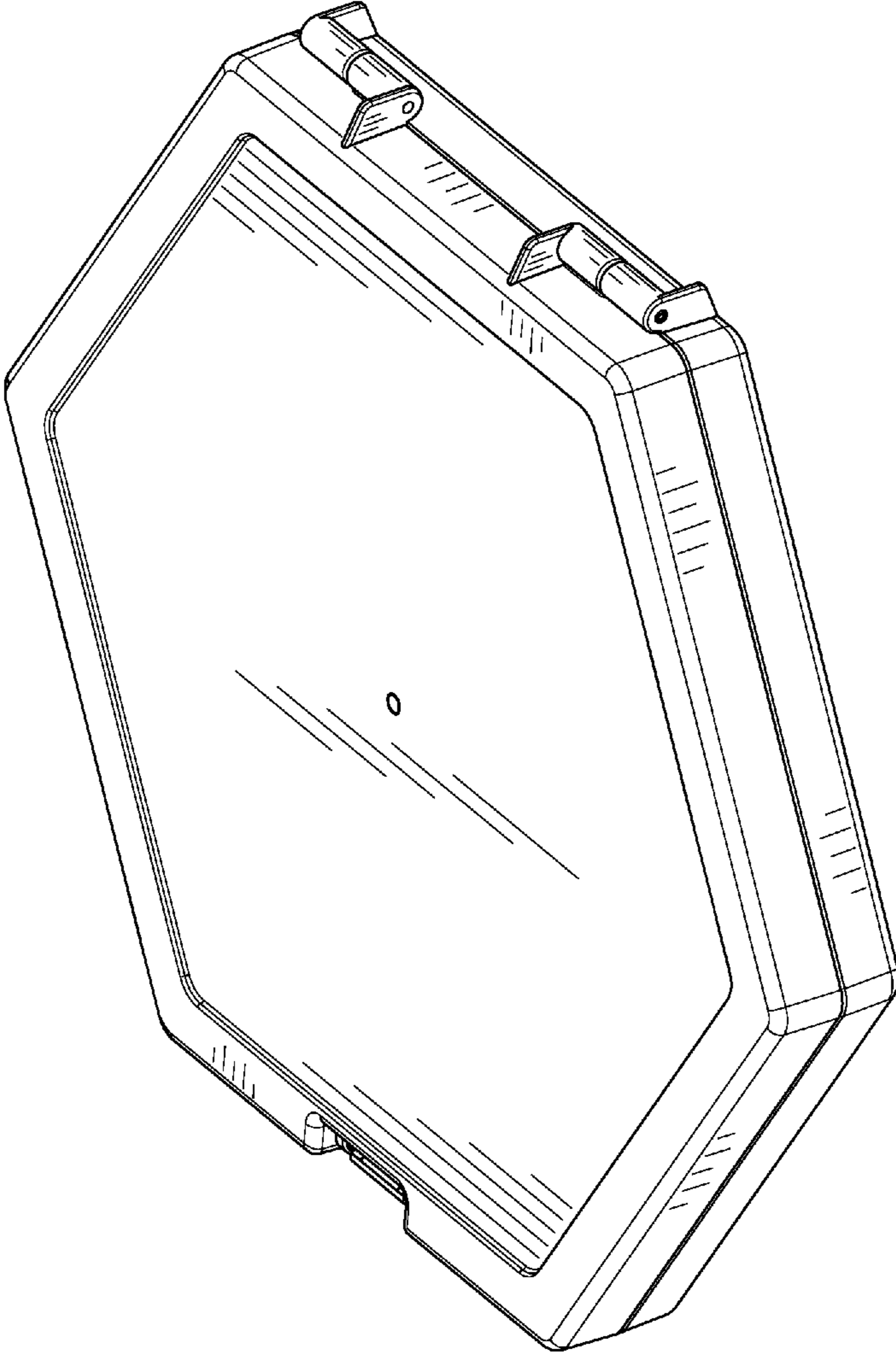


FIG. 2

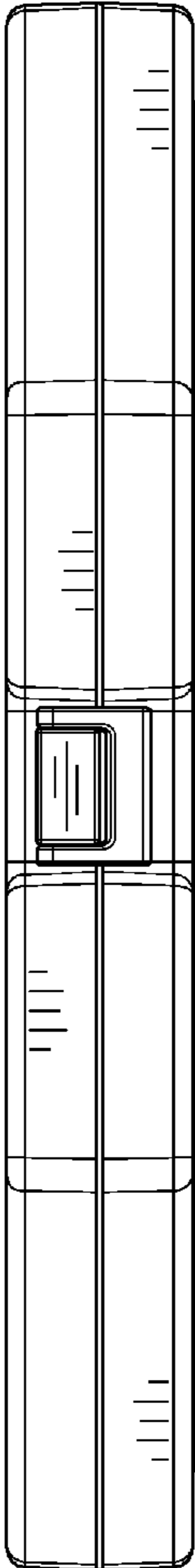


FIG. 3

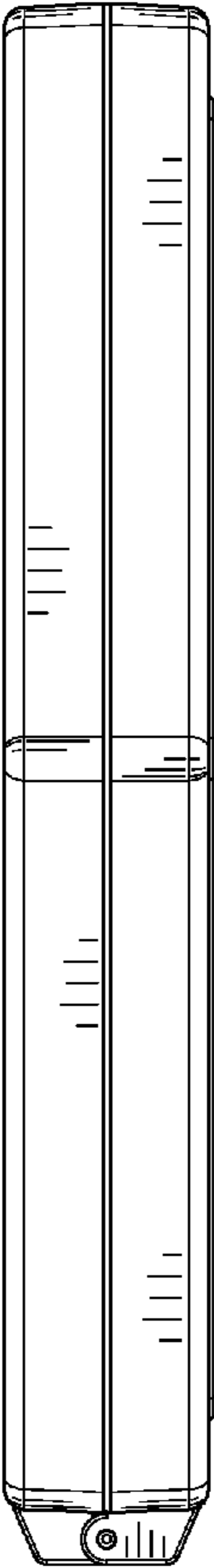


FIG. 4

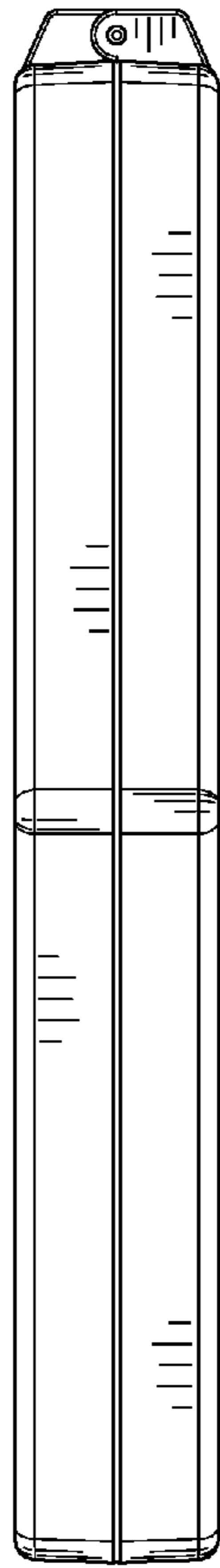


FIG. 5

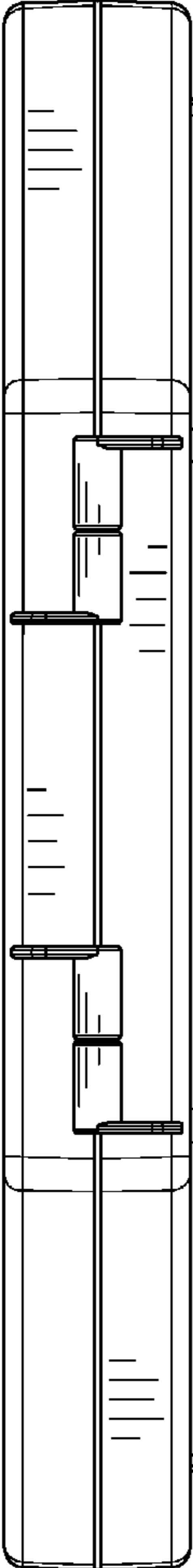


FIG. 6

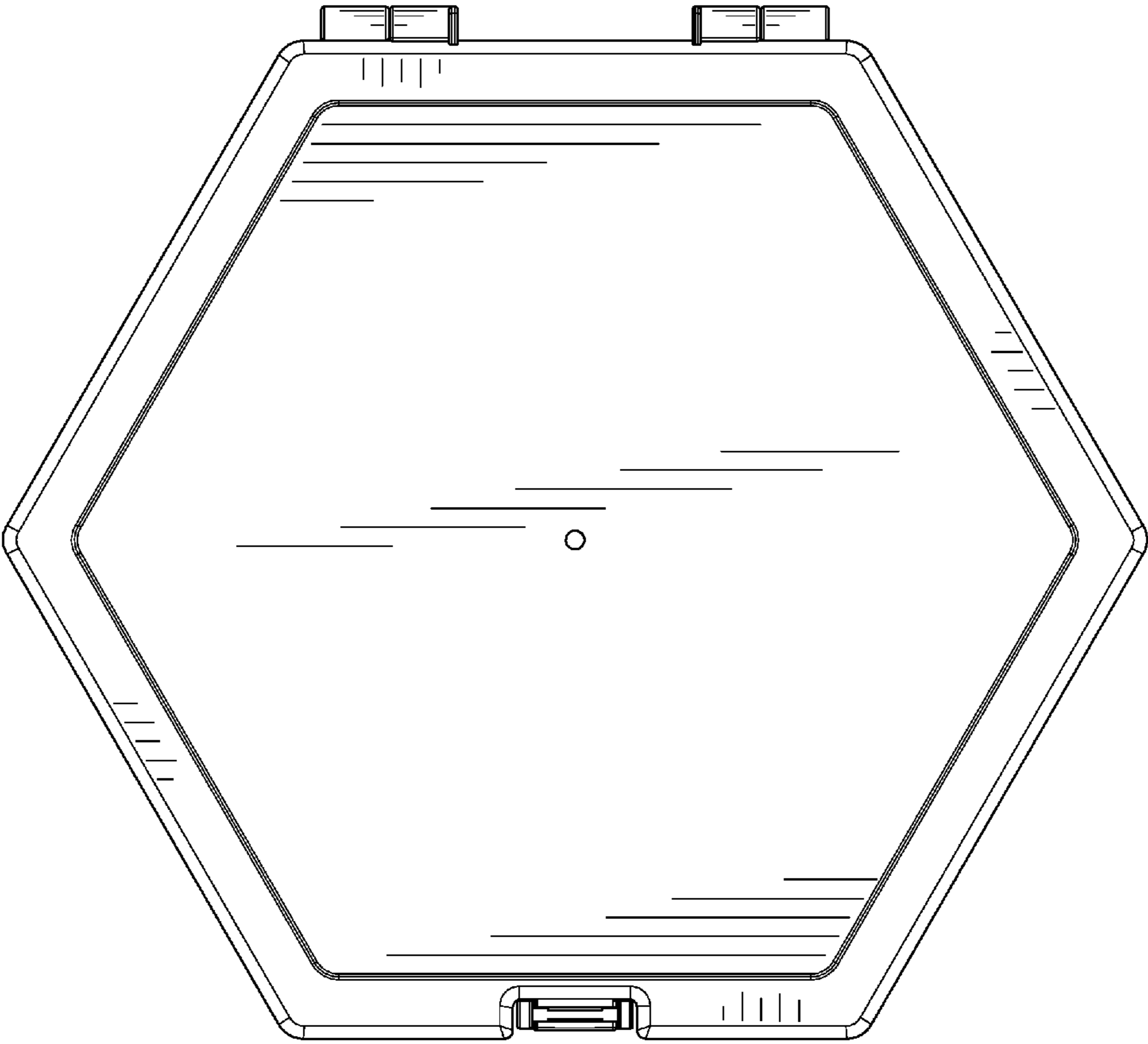


FIG. 7

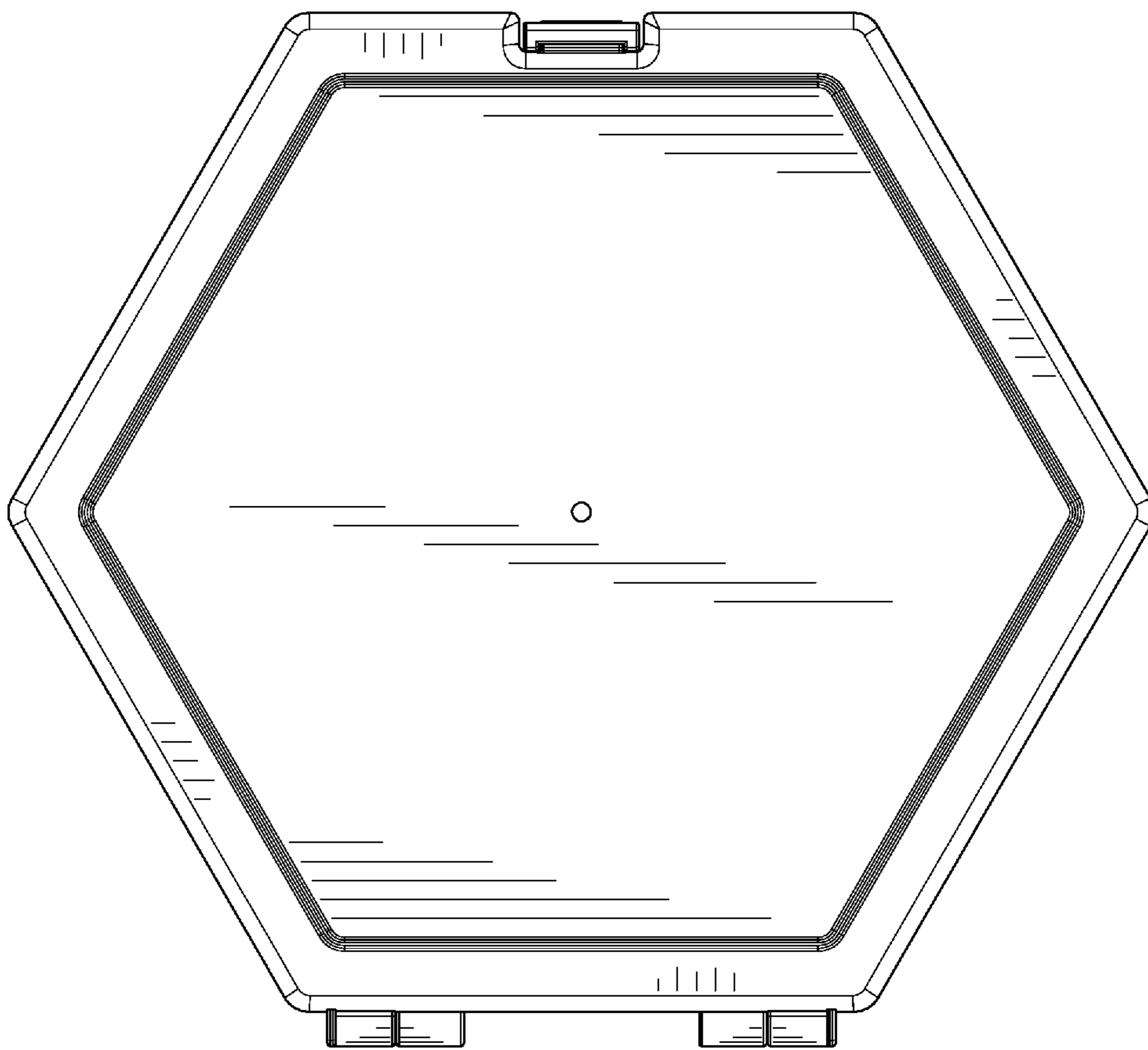


FIG. 8

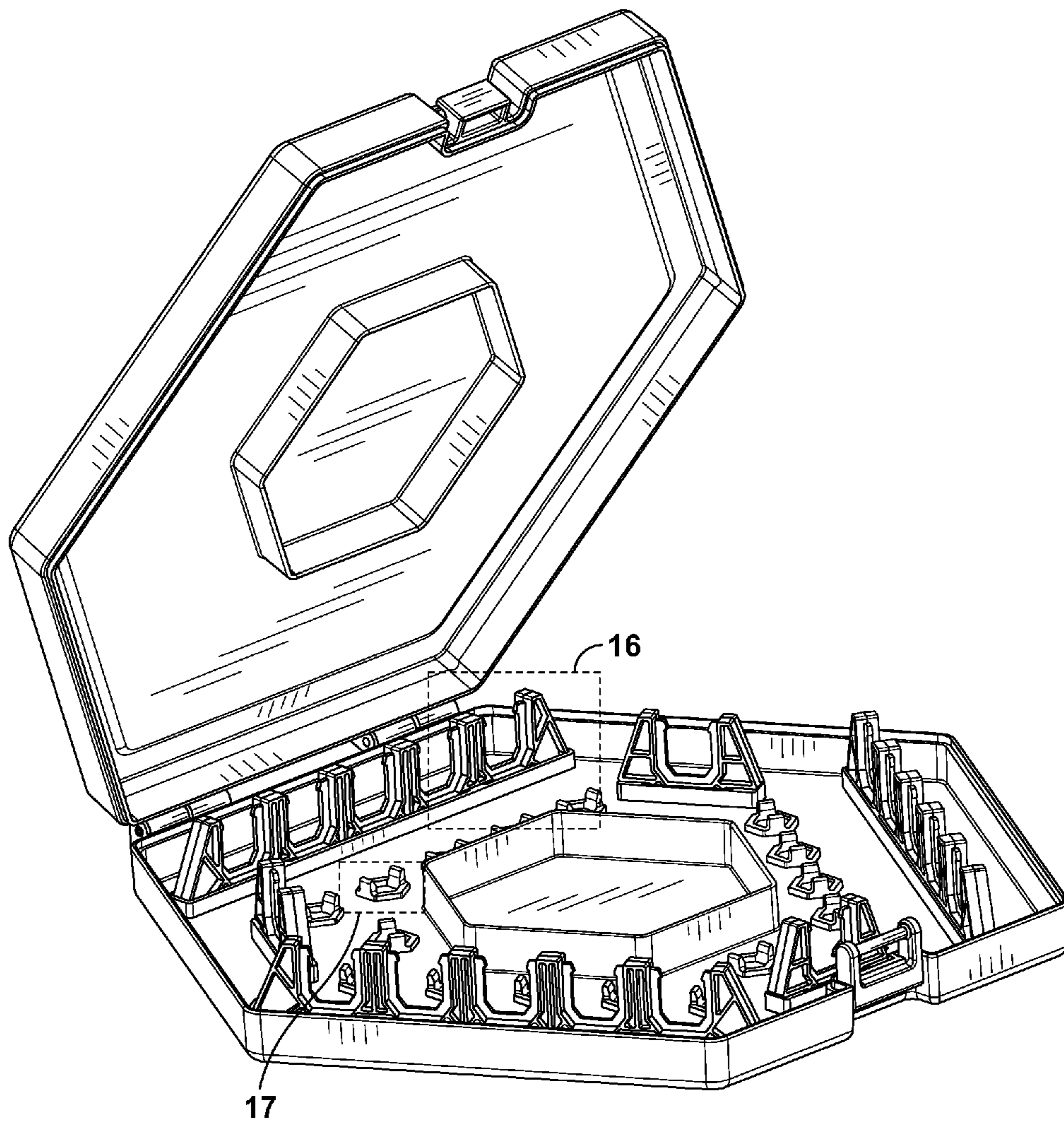


FIG. 9

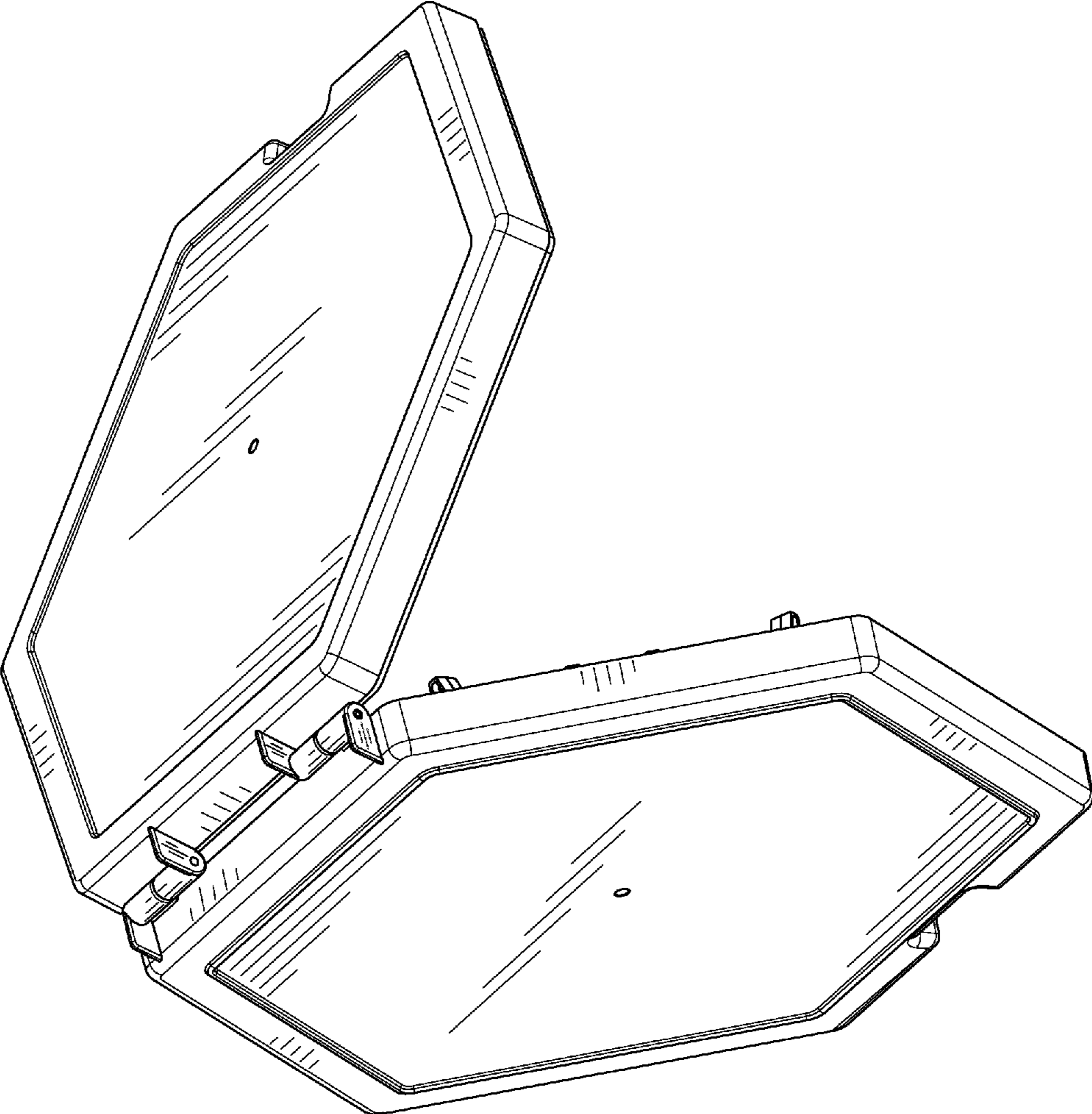


FIG. 10

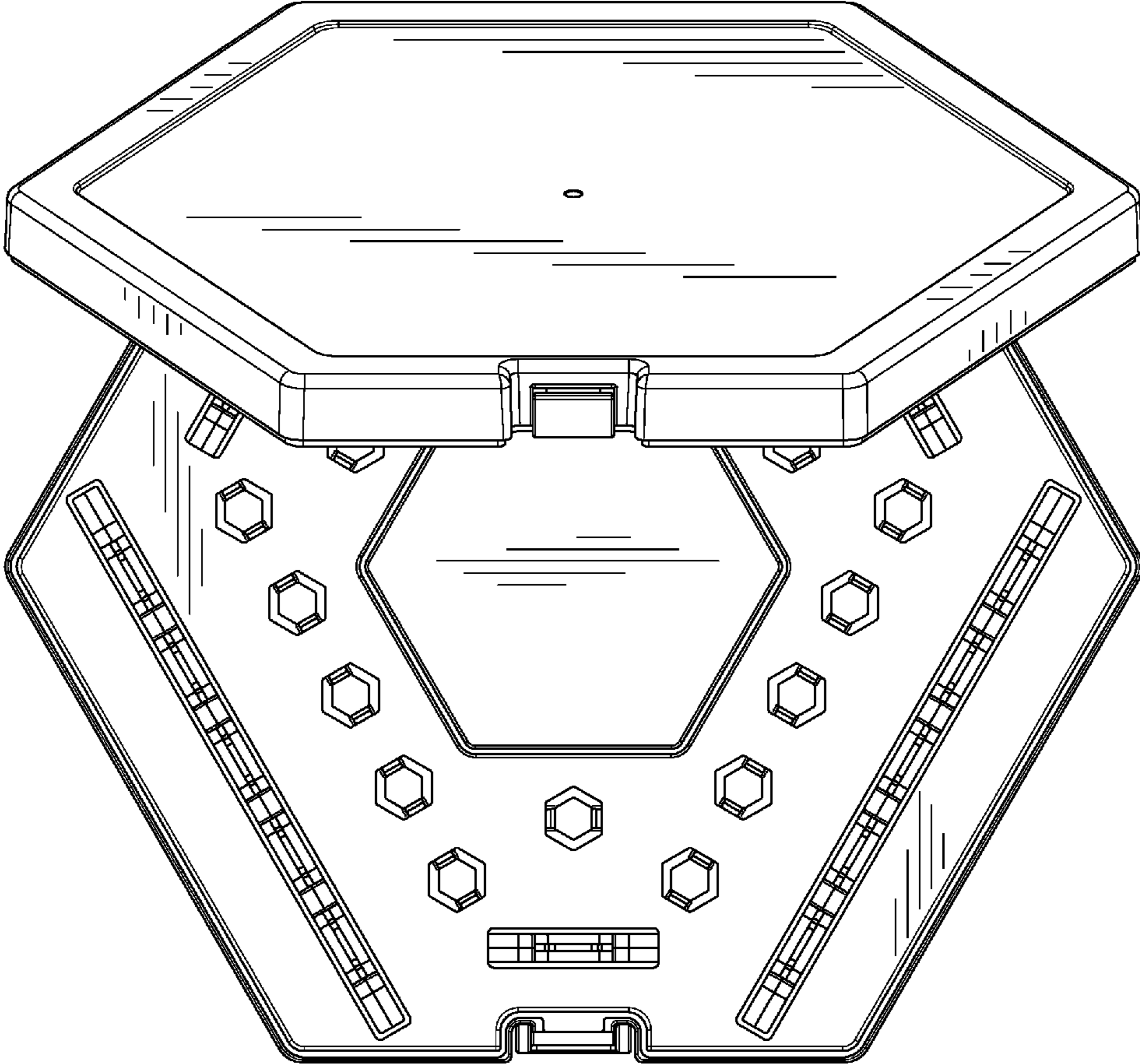


FIG. 11

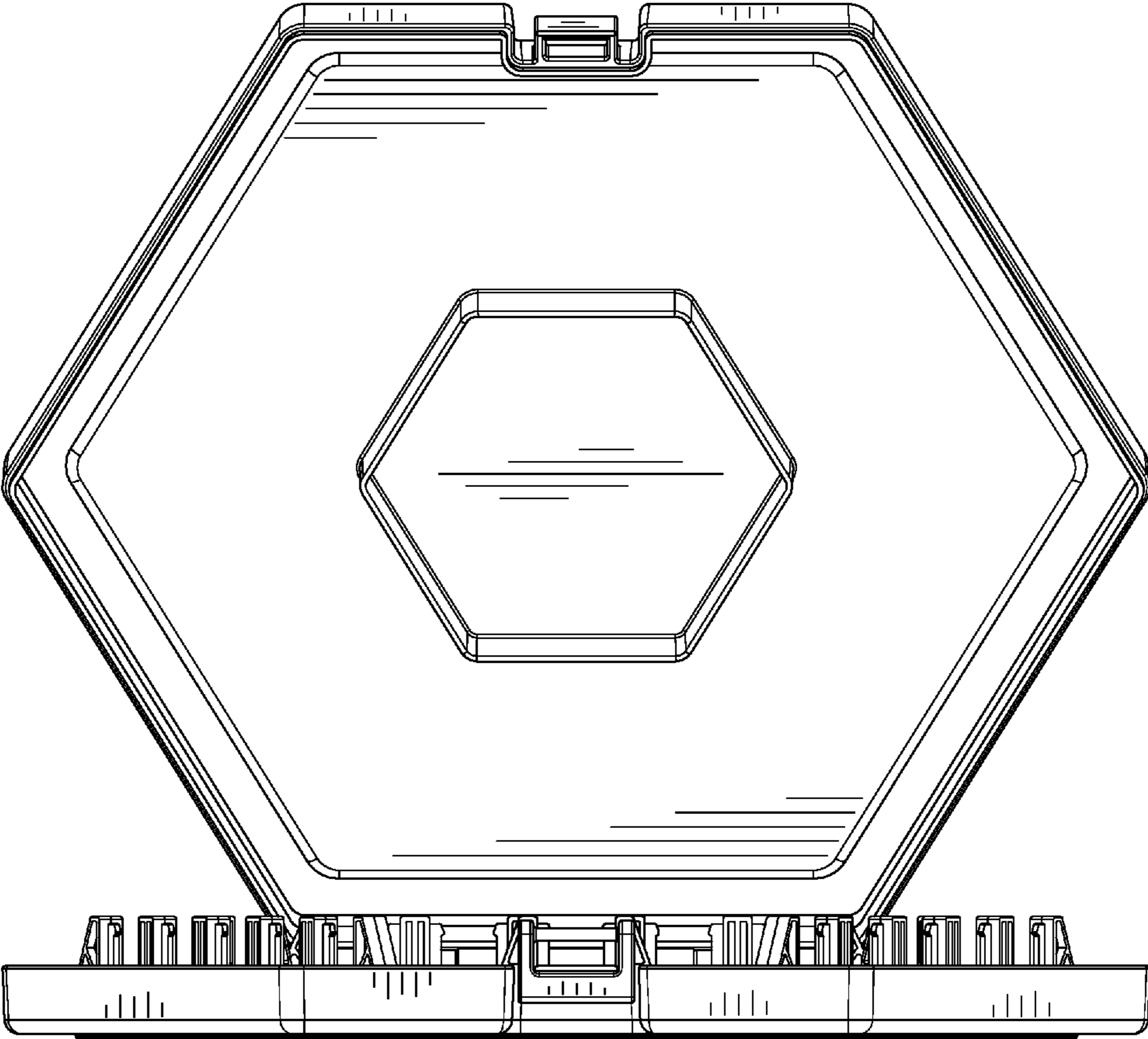


FIG. 12

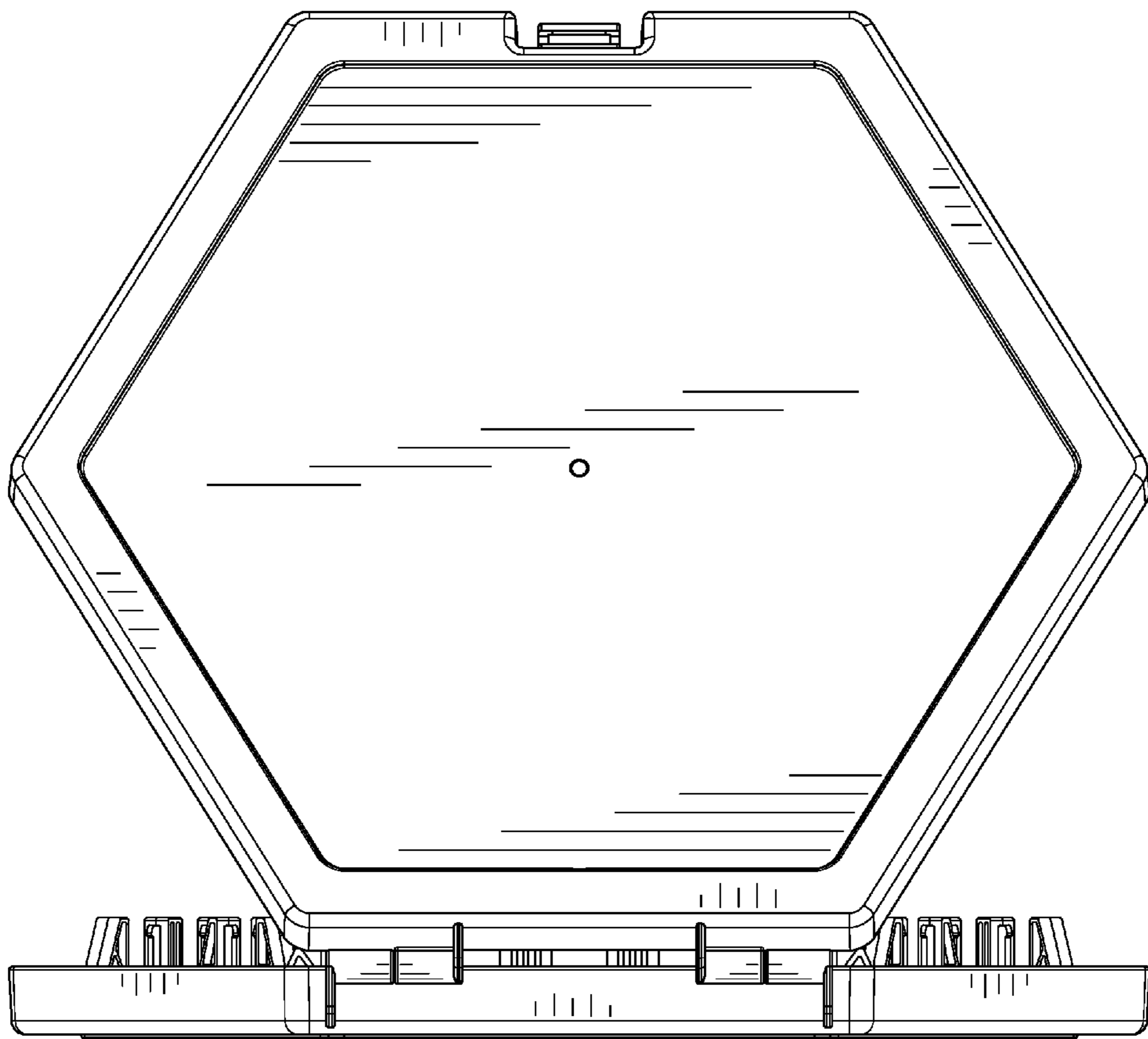


FIG. 13

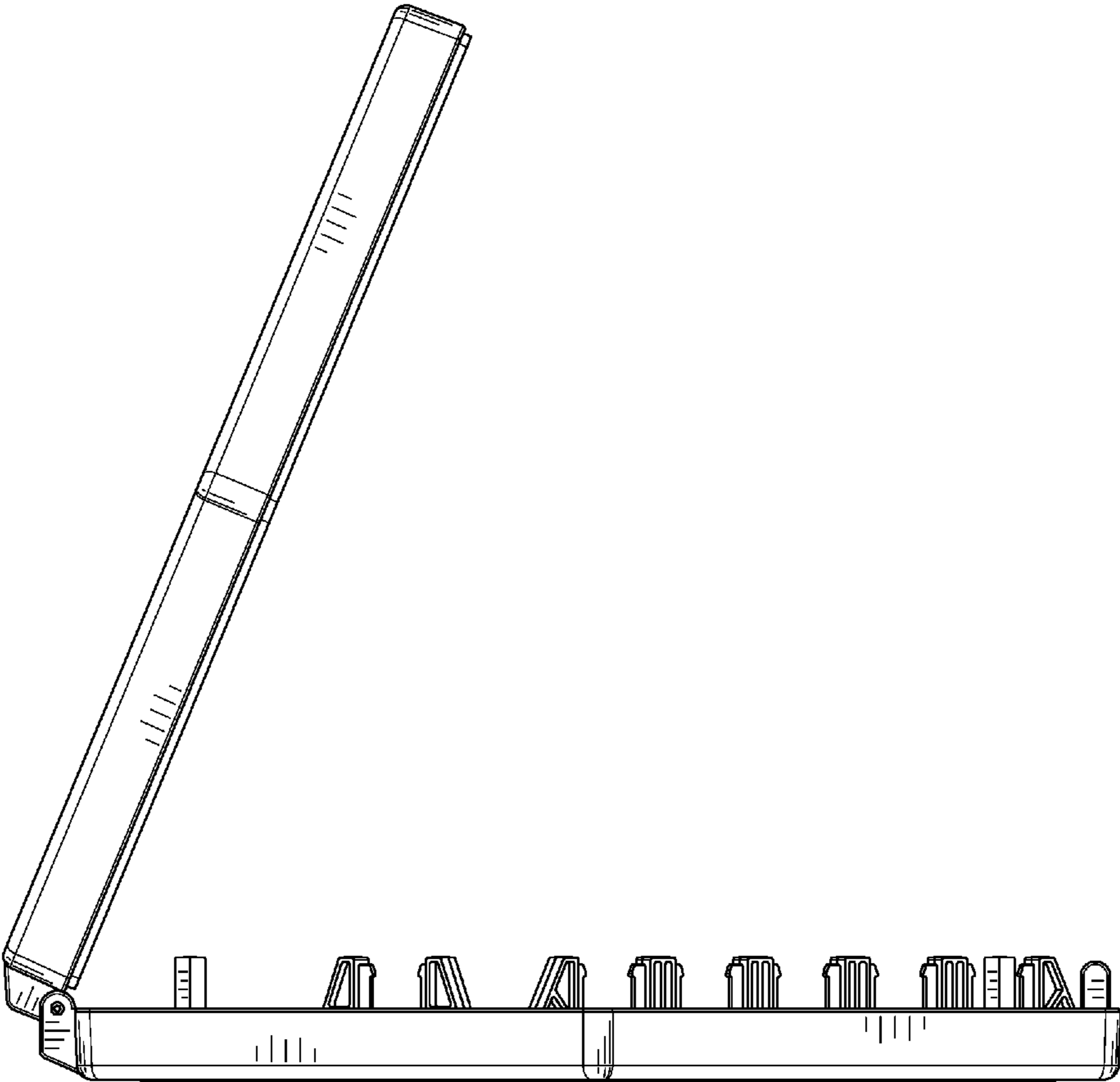


FIG. 14

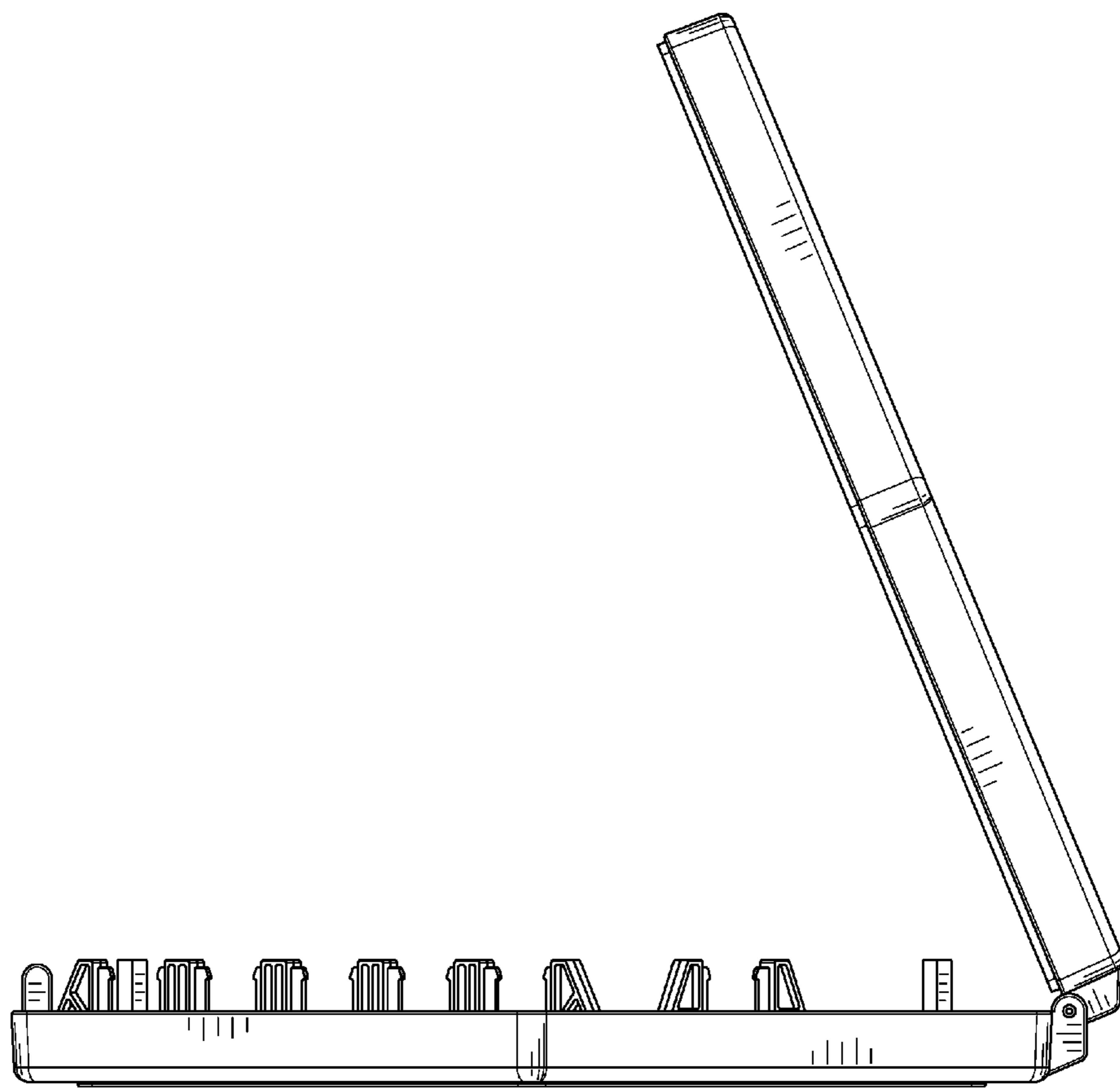


FIG. 15

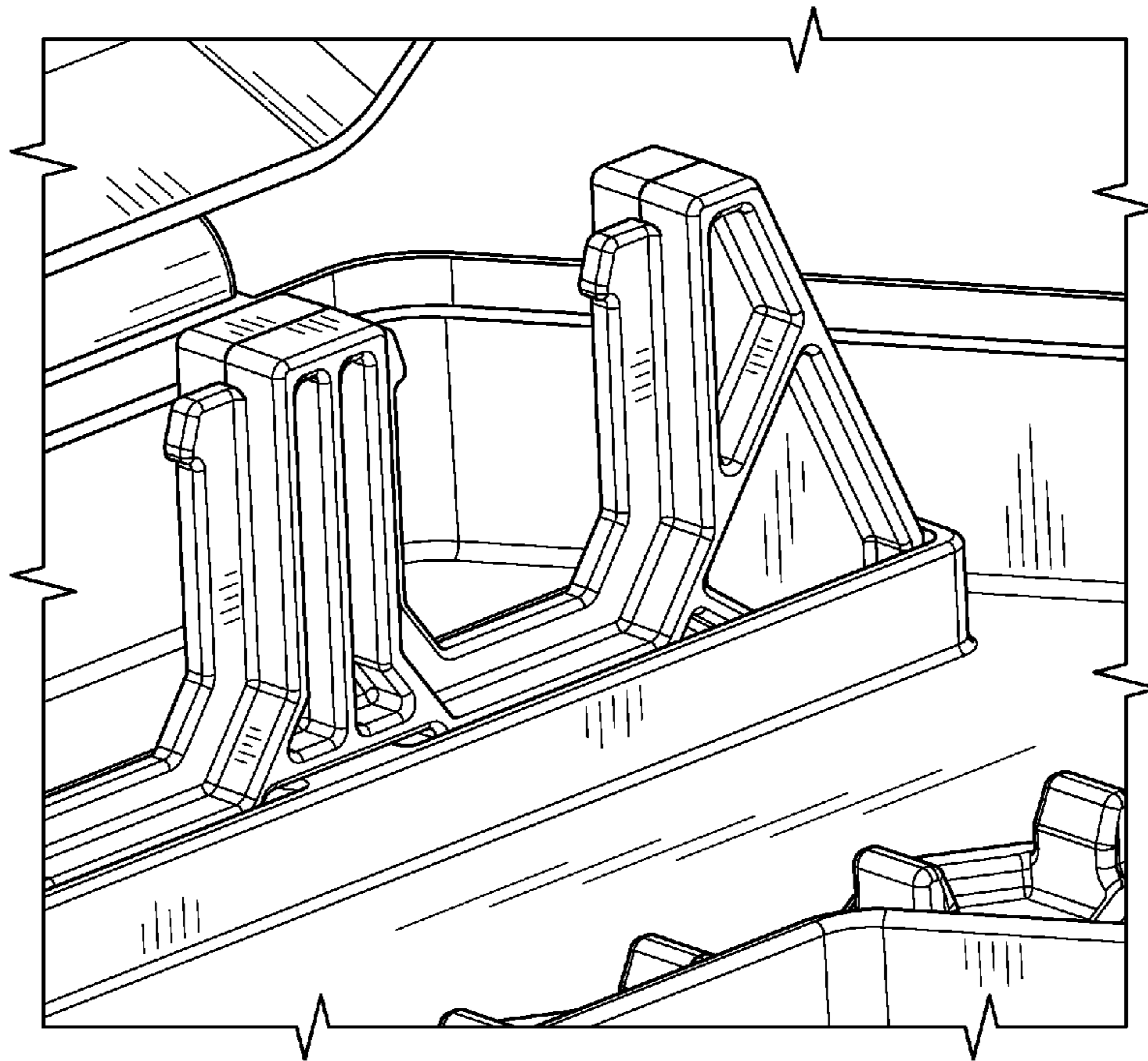


FIG. 16

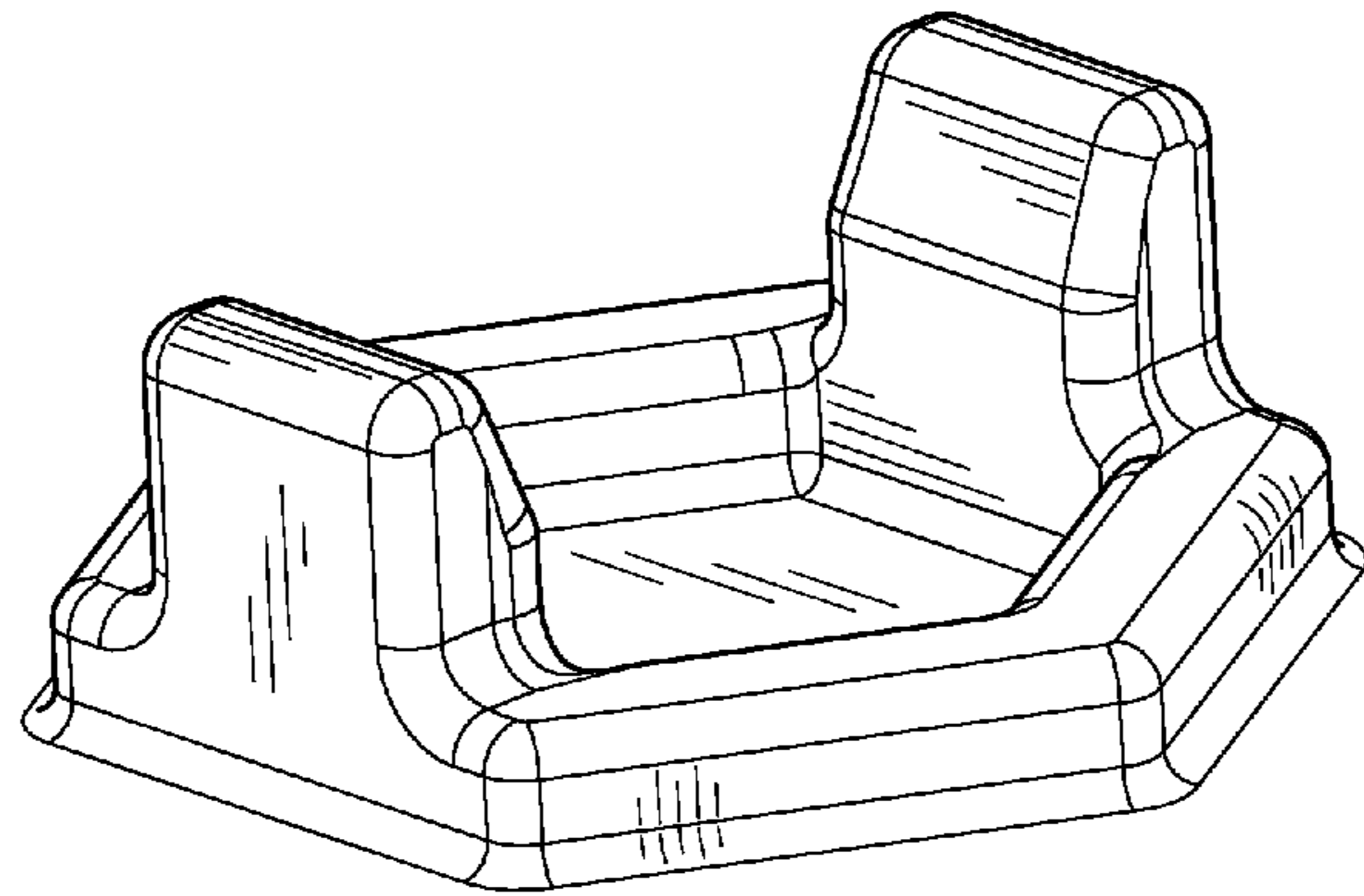


FIG. 17

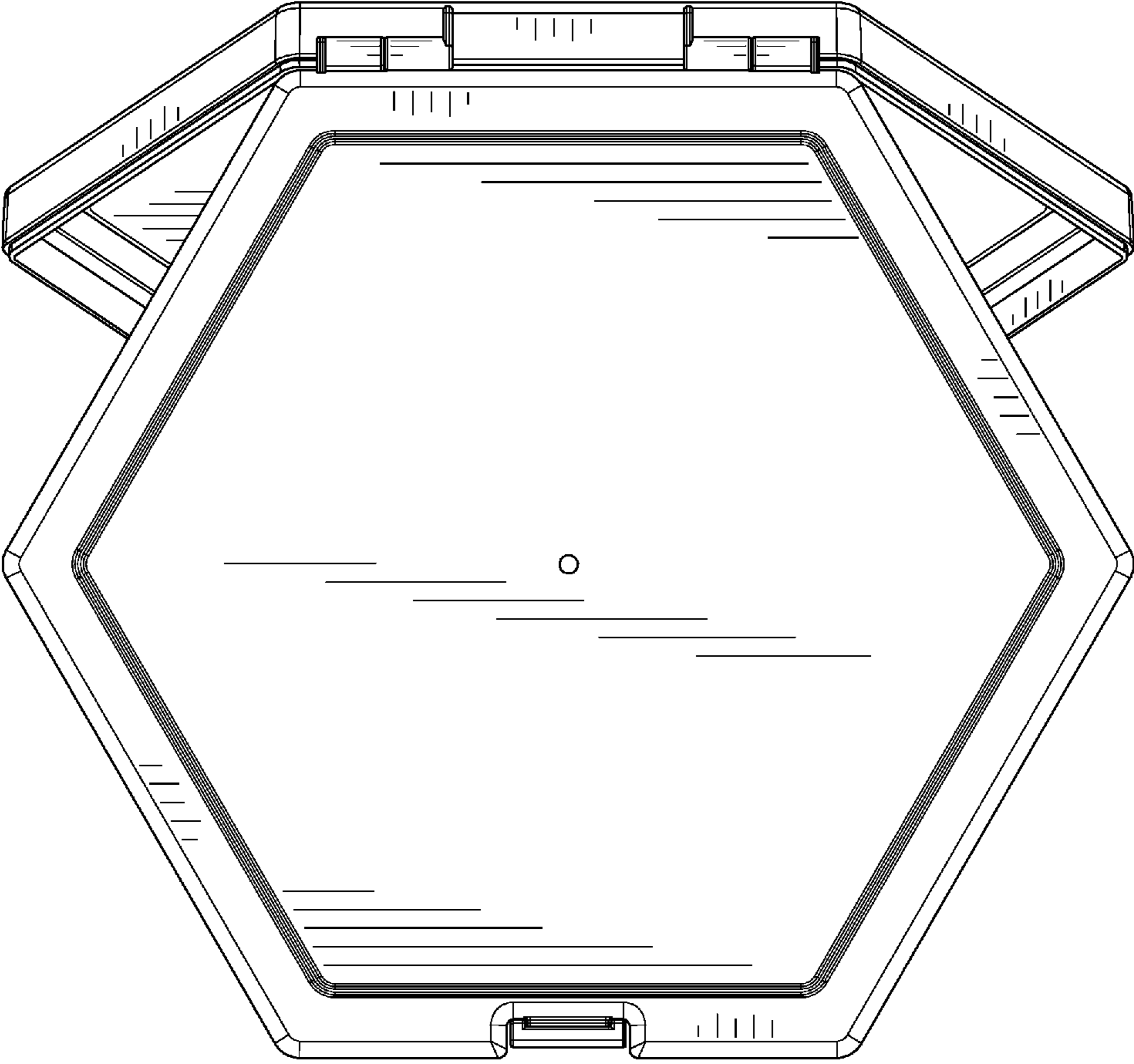


FIG. 18