

US00D668455S

(12) **United States Design Patent**  
**Chang**

(10) **Patent No.:** **US D668,455 S**

(45) **Date of Patent:** **\*\* Oct. 9, 2012**

(54) **TOOL CHEST**

(76) Inventor: **Ming-Chi Chang**, Taichung (TW)

(\*\*) Term: **14 Years**

(21) Appl. No.: **29/398,148**

(22) Filed: **Jul. 27, 2011**

(51) **LOC (9) Cl.** ..... **03-01**

(52) **U.S. Cl.** ..... **D3/282; D3/905**

(58) **Field of Classification Search** ..... 206/349,  
206/372-379; 220/523-528, 23.4; D3/273,  
D3/276, 280-288, 291-297, 900-905; 211/70.6  
See application file for complete search history.

(56) **References Cited**

**U.S. PATENT DOCUMENTS**

6,267,238	B1 *	7/2001	Miller et al.	.....	206/349
7,059,472	B2 *	6/2006	Lai	.....	206/372
D600,015	S *	9/2009	Wenchel et al.	.....	D3/294
D604,510	S *	11/2009	Cho	.....	D3/282
D620,255	S *	7/2010	Chang	.....	D3/282

D633,294	S *	3/2011	Jamison et al.	.....	D3/282
D639,058	S *	6/2011	Chiu	.....	D3/282
D639,059	S *	6/2011	Frailman et al.	.....	D3/282

\* cited by examiner

*Primary Examiner* — Jennifer Rivard

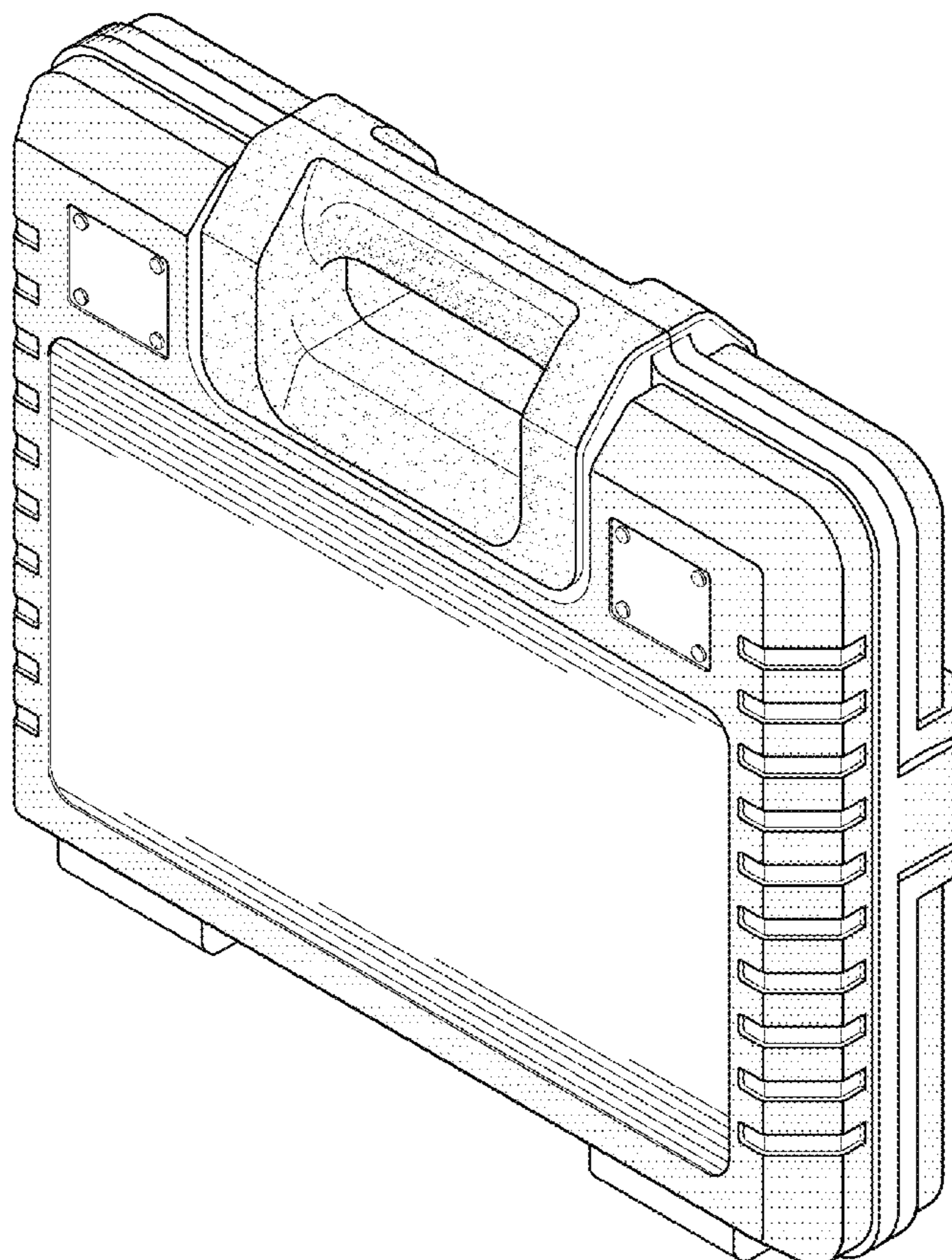
(57) **CLAIM**

The ornamental design for a tool chest, as shown and described.

**DESCRIPTION**

FIG. 1 is a perspective view of a tool chest showing my new design;  
FIG. 2 is a front elevational view of FIG. 1;  
FIG. 3 is a rear elevational view of FIG. 1;  
FIG. 4 is a left side view of FIG. 1;  
FIG. 5 is a right side view of FIG. 1;  
FIG. 6 is a top plan view of FIG. 1; and,  
FIG. 7 is a bottom plan view of FIG. 1.

**1 Claim, 5 Drawing Sheets**



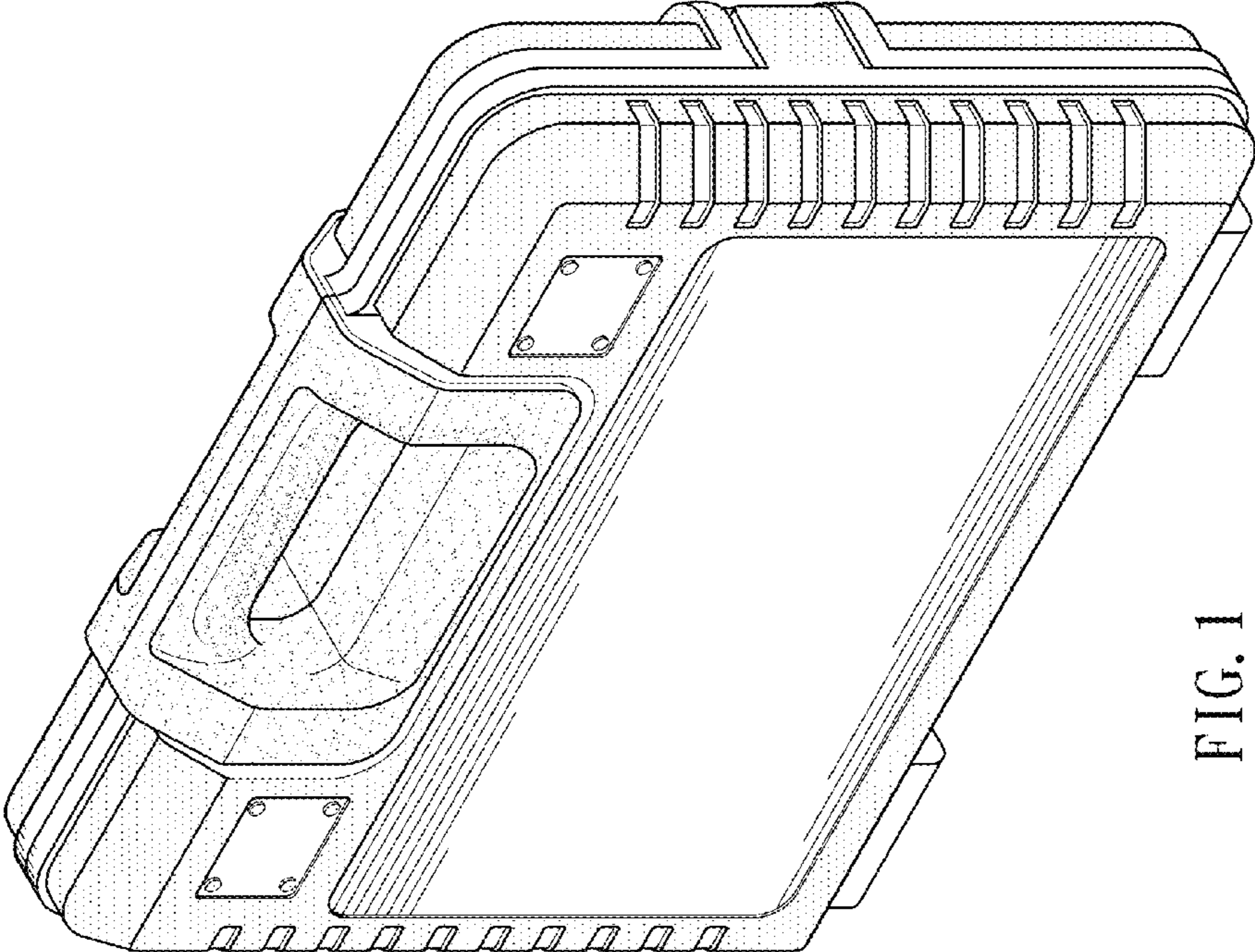


FIG. 1

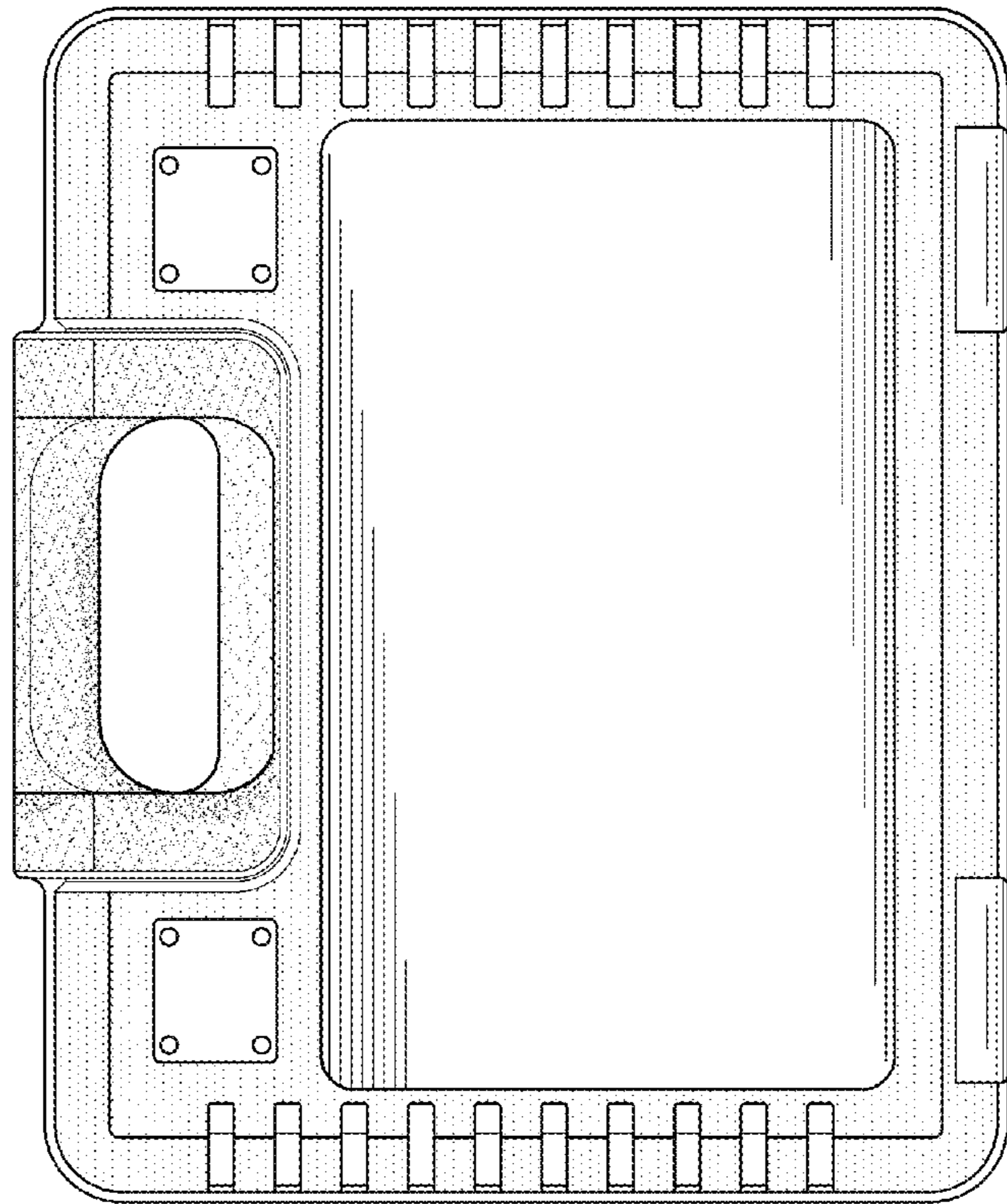


FIG. 2

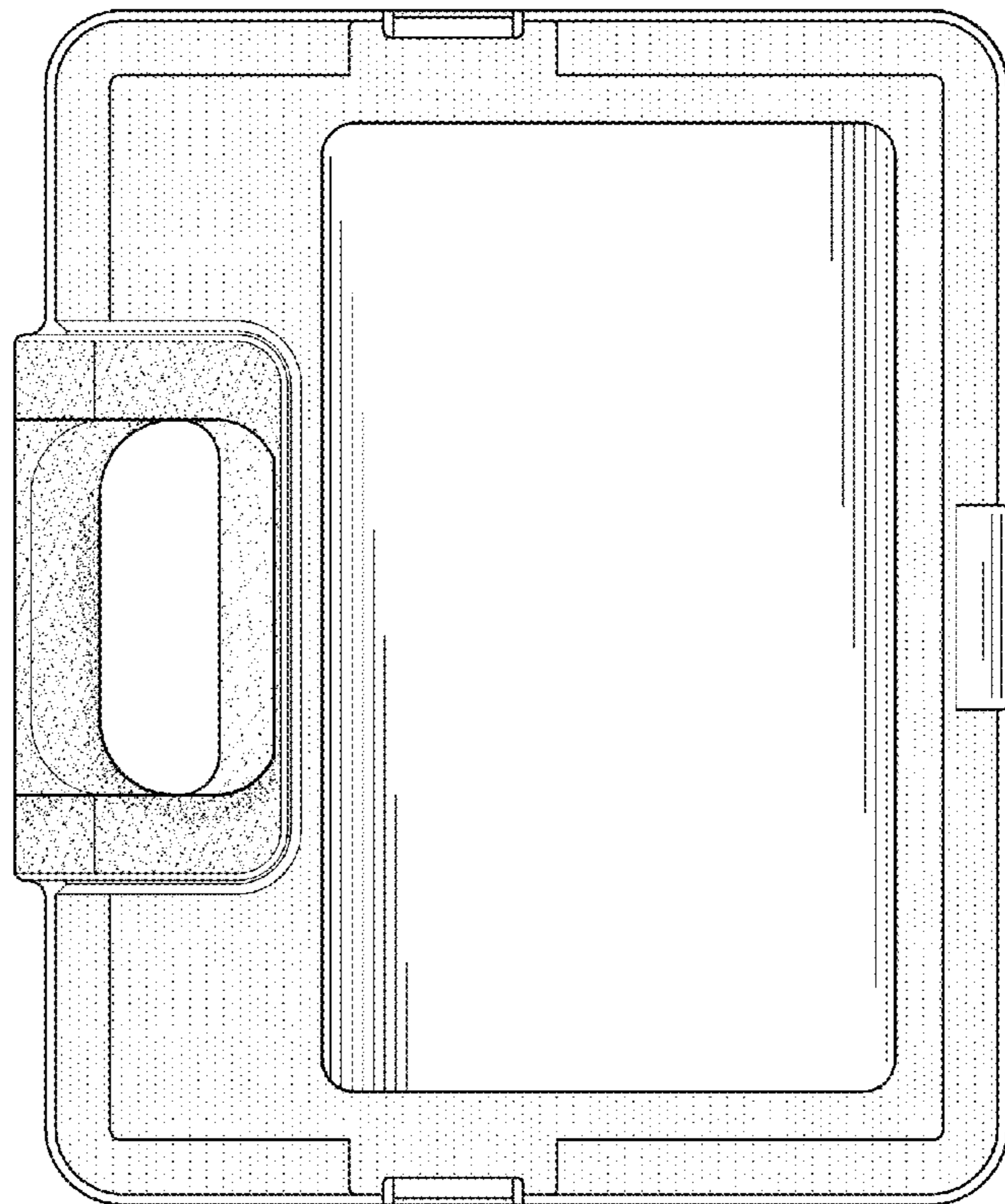


FIG. 3

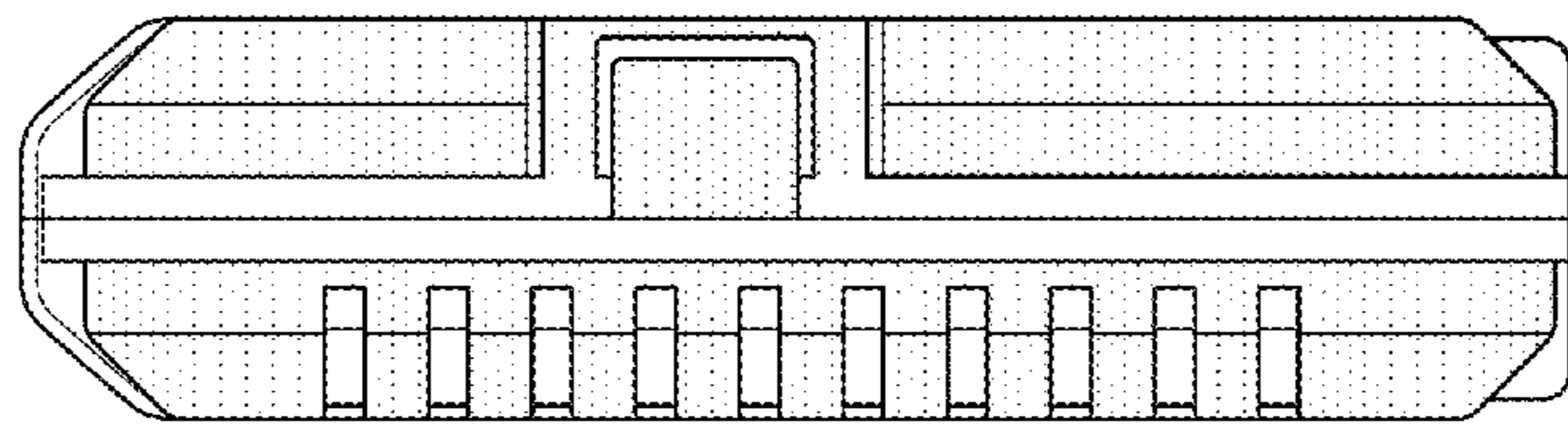


FIG. 5

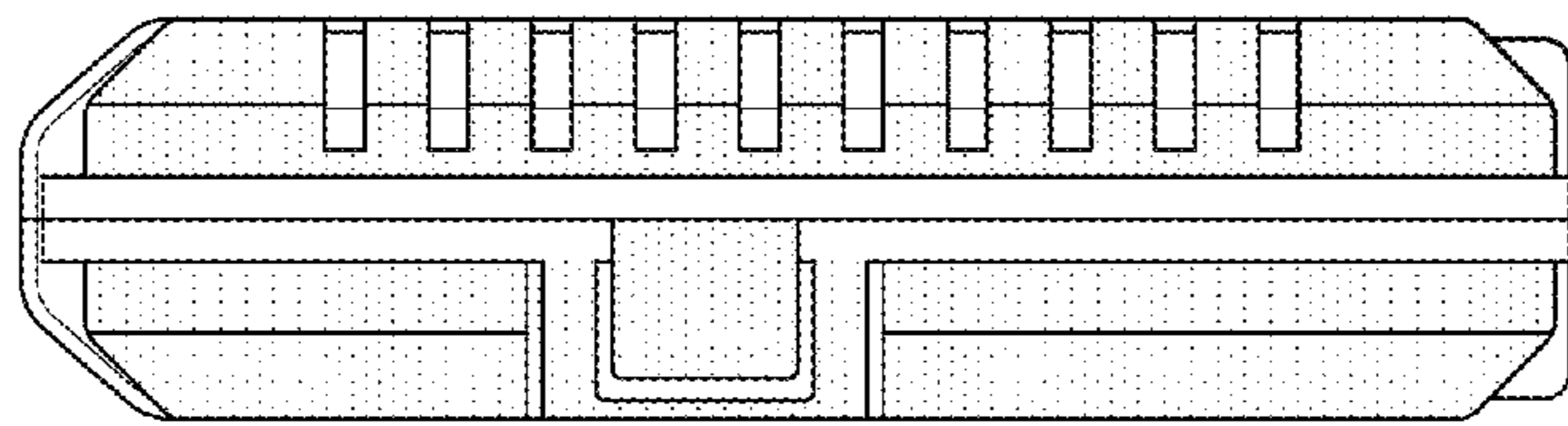


FIG. 4

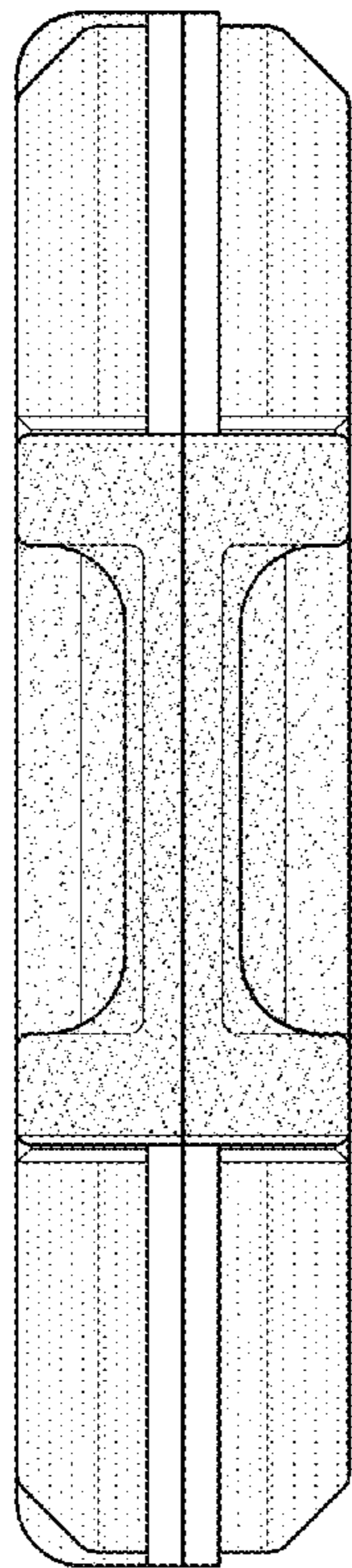


FIG. 6

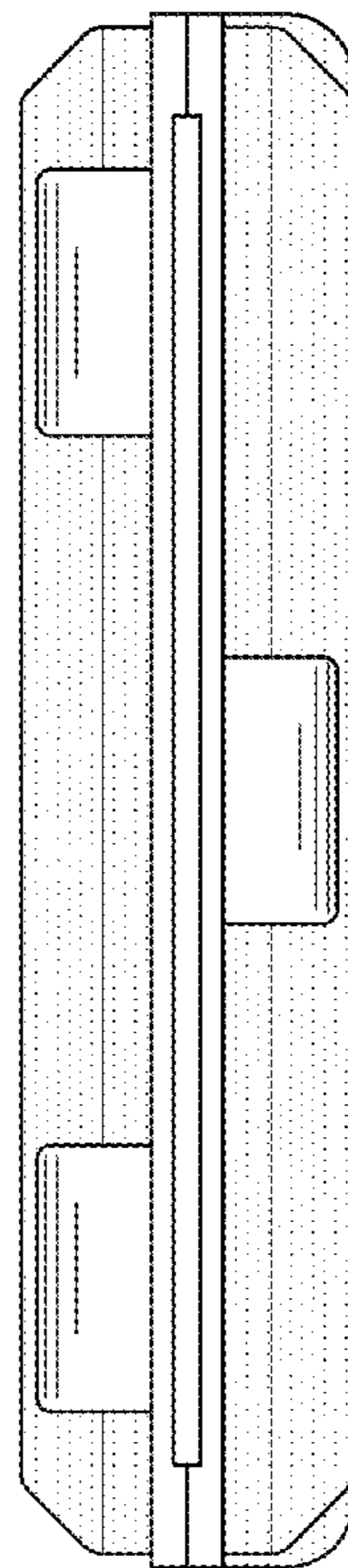


FIG. 7