



US00D668453S

(12) **United States Design Patent**  
**Teichelman**

(10) **Patent No.:** **US D668,453 S**

(45) **Date of Patent:** **\*\* Oct. 9, 2012**

(54) **SECURITY CASE FOR HANDGUN**

(76) Inventor: **Alan C. Teichelman**, Fort Worth, TX  
(US)

(\*\*) Term: **14 Years**

(21) Appl. No.: **29/404,383**

(22) Filed: **Oct. 20, 2011**

(51) **LOC (9) Cl.** ..... **03-01**

(52) **U.S. Cl.** ..... **D3/269; D3/222**

(58) **Field of Classification Search** ..... D3/269,  
D3/271.1, 222, 223, 218, 230; 206/1.5, 317,  
206/292, 293, 315.11, 807, 822; 224/219,  
224/198, 199, 912, 238, 239, 243, 246

See application file for complete search history.

(56) **References Cited**

**U.S. PATENT DOCUMENTS**

D218,005	S	*	7/1970	Woolfolk	.....	D3/230
3,720,013	A	*	3/1973	McDonald	.....	42/106
4,660,610	A	*	4/1987	McIntire, III	.....	206/349
4,898,310	A	*	2/1990	Remington	.....	224/238
4,917,239	A	*	4/1990	Smith	.....	206/349
4,966,320	A	*	10/1990	DeSantis et al.	.....	224/665
5,294,031	A	*	3/1994	Volpei et al.	.....	224/682
D378,952	S	*	4/1997	Stava	.....	D3/222
D392,364	S		3/1998	Neal et al.		
D435,964	S	*	1/2001	Lentz	.....	D3/239
D444,944	S	*	7/2001	Smith et al.	.....	D3/271.4
6,253,915	B1	*	7/2001	Mesica et al.	.....	206/317
D470,311	S	*	2/2003	Mitchell	.....	D3/269

D487,343	S	*	3/2004	Neher	.....	D3/222
D509,061	S	*	9/2005	Catania	.....	D3/269
D528,296	S	*	9/2006	Quinnan	.....	D3/254
7,143,913	B2	*	12/2006	Lindsey et al.	.....	224/413
7,905,350	B2	*	3/2011	Wood et al.	.....	206/317
2012/0090215	A1	*	4/2012	Buie, II	.....	42/95

\* cited by examiner

*Primary Examiner* — Cynthia Ramirez

(74) *Attorney, Agent, or Firm* — James E. Walton; J. Oliver Williams

(57) **CLAIM**

The ornamental design for a security case for handgun, as shown and described.

**DESCRIPTION**

FIG. 1 is an oblique view of a security case for handgun according to the present application.

FIG. 2 is a front view of the security case of FIG. 1.

FIG. 3 is a rear view of the security case of FIG. 1.

FIG. 4 is a right view of the security case of FIG. 1.

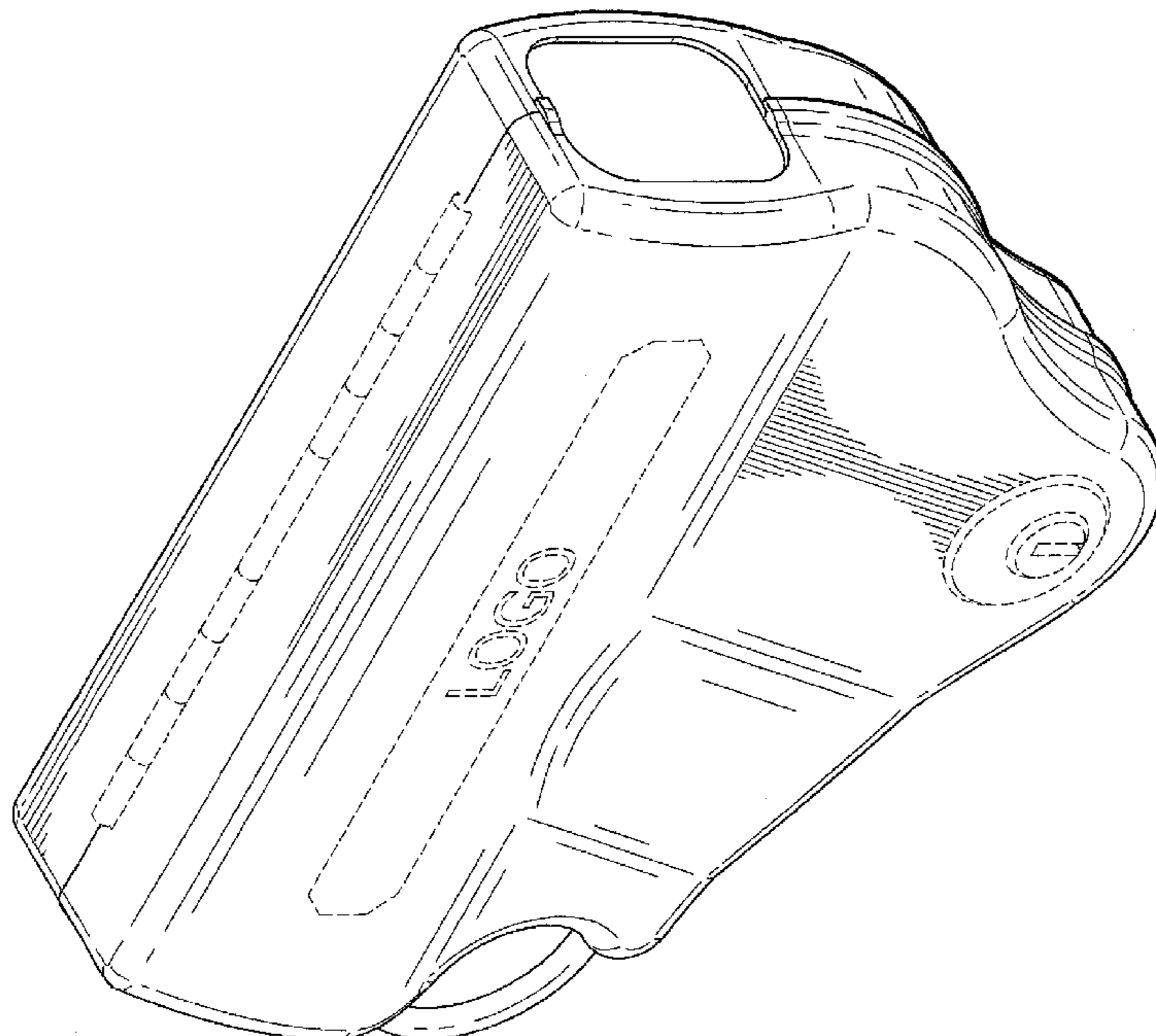
FIG. 5 is a left view of the security case of FIG. 1.

FIG. 6 is a top view of the security case of FIG. 1; and,

FIG. 7 is a bottom view of the security case of FIG. 1.

The broken lines are included for the purpose of illustrating environmental structure and form no part of the claimed design.

**1 Claim, 5 Drawing Sheets**



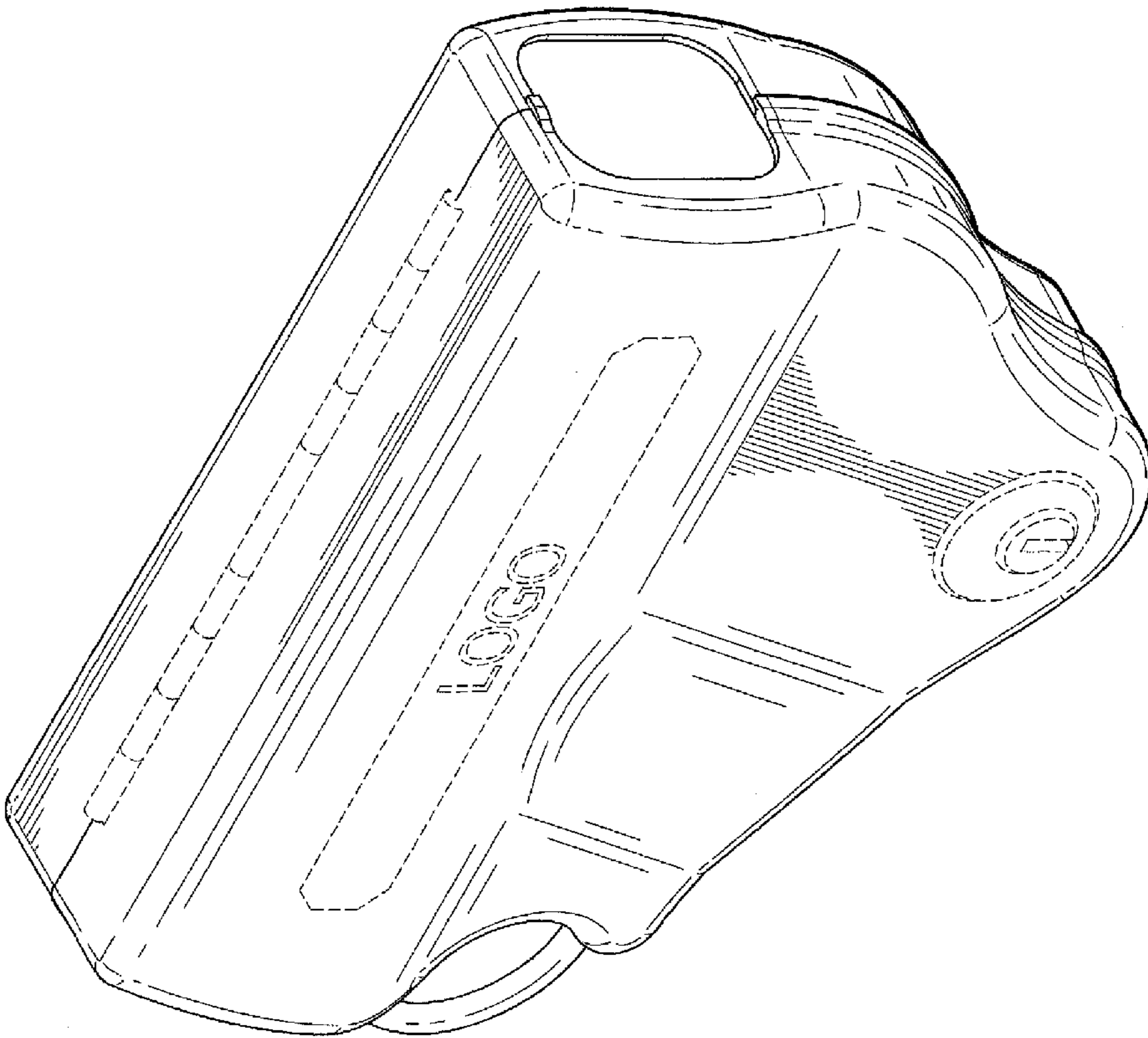


FIG. 1

FIG. 2

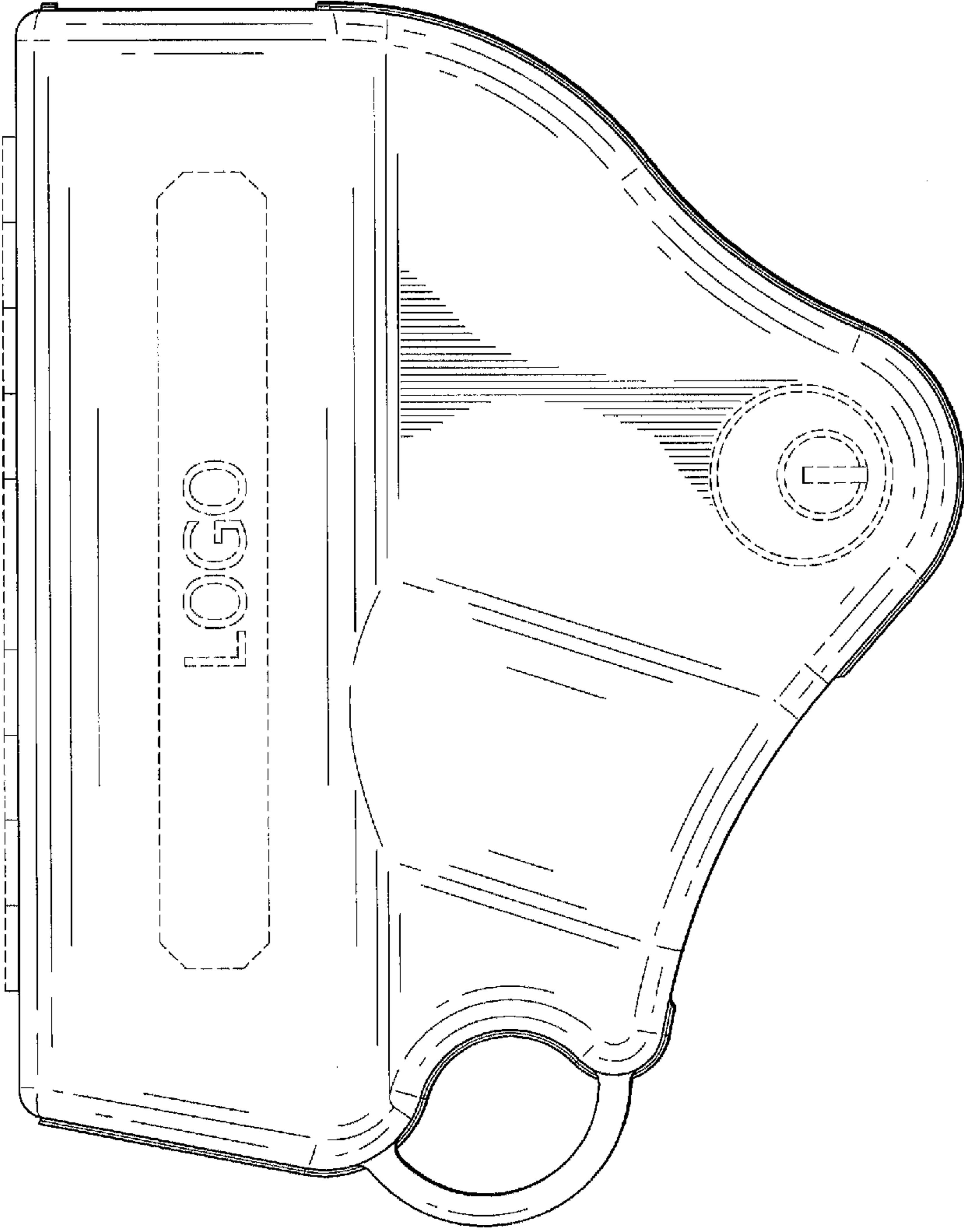


FIG. 3

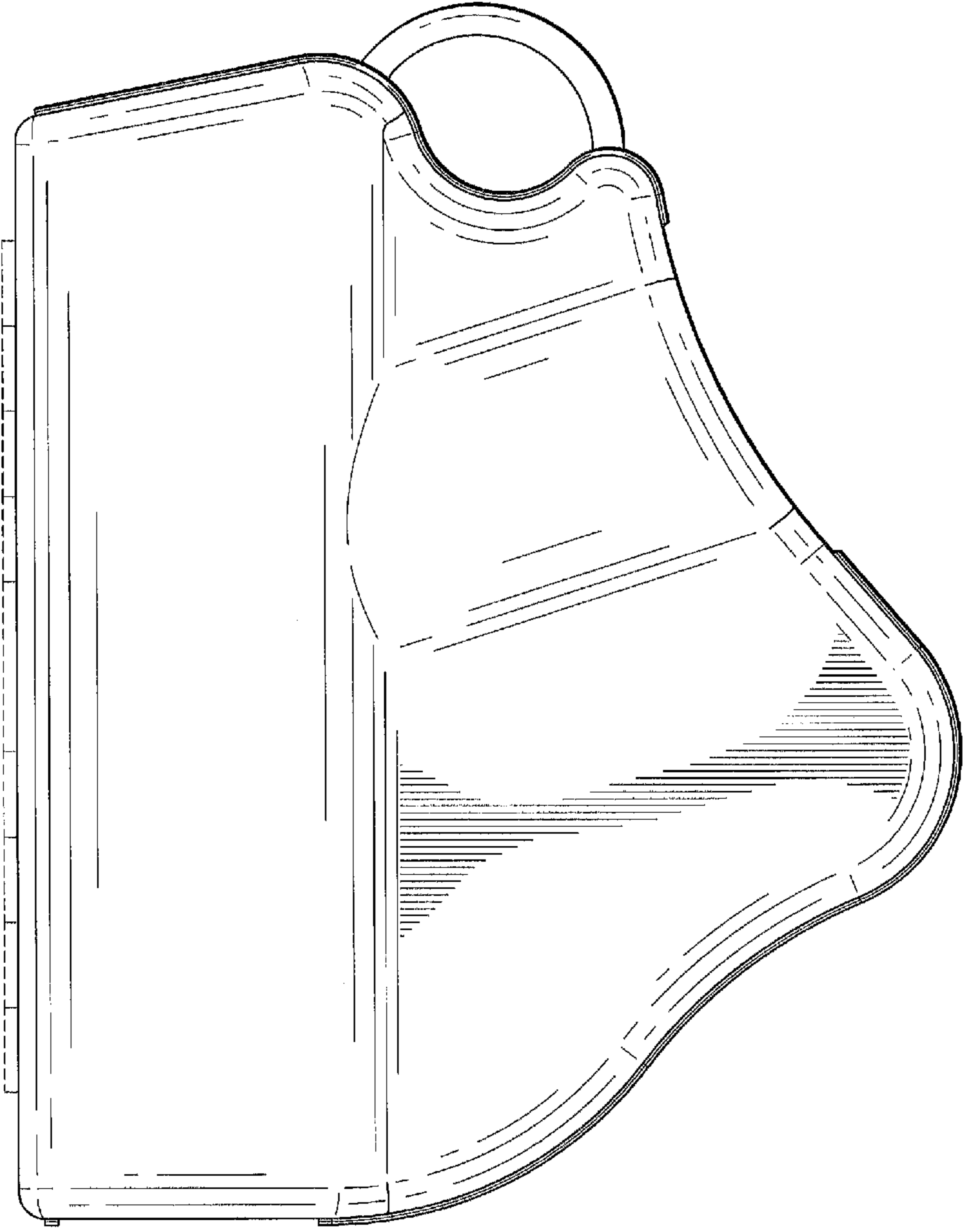


FIG. 5

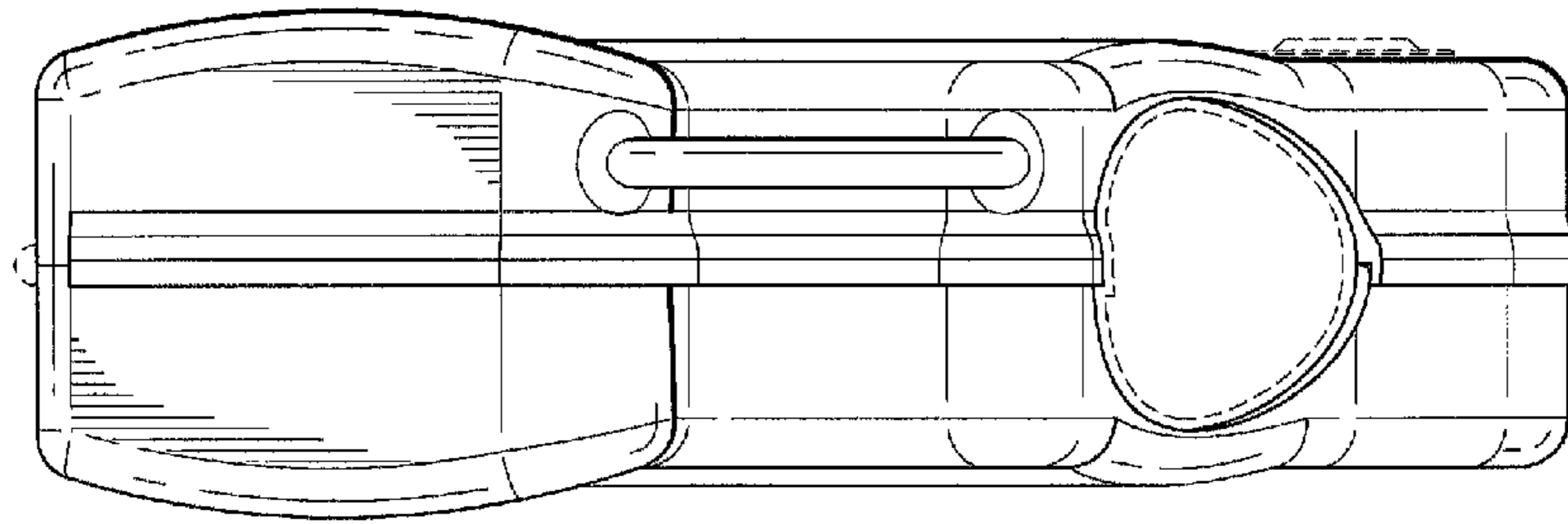


FIG. 4

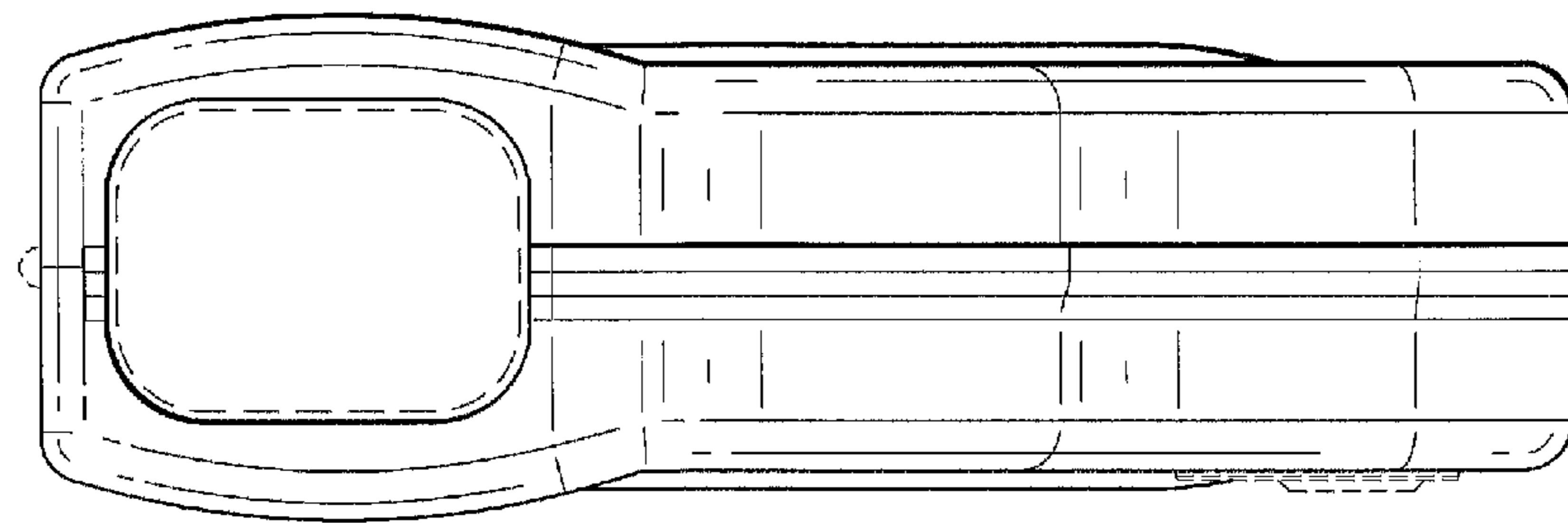


FIG. 6

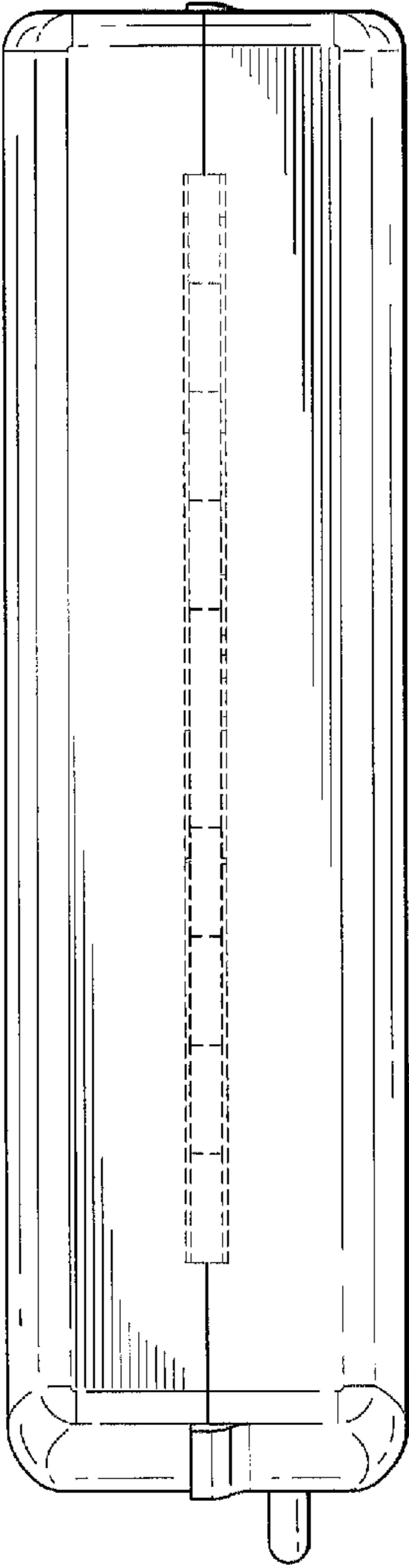


FIG. 7

