



US00D668448S

(12) **United States Design Patent**
Douglas

(10) **Patent No.:** **US D668,448 S**

(45) **Date of Patent:** **** Oct. 9, 2012**

(54) **TOTE BAG**

(75) **Inventor:** **Katherine Douglas, Vancouver (CA)**

(73) **Assignee:** **Lululemon Athletica Canada Inc.,
Vancouver (CA)**

(**) **Term:** **14 Years**

(21) **Appl. No.:** **29/396,460**

(22) **Filed:** **Jun. 30, 2011**

(51) **LOC (9) Cl.** **03-01**

(52) **U.S. Cl.** **D3/232**

(58) **Field of Classification Search** D3/232-233,
D3/240-245; 150/100, 103-110, 113-114,
150/117-119

See application file for complete search history.

(56) **References Cited**

U.S. PATENT DOCUMENTS

D456,991 S * 5/2002 Achache D3/233
D494,362 S * 8/2004 Cassegrain D3/243

D501,596 S * 2/2005 Cassegrain D3/233
D530,509 S * 10/2006 Delafontaine D3/243

* cited by examiner

Primary Examiner — Holly Baynham

(57) **CLAIM**

The ornamental design for a tote bag, as shown and described.

DESCRIPTION

FIG. 1 is a front view of a tote bag according to the design;
FIG. 2 is a rear view thereof;
FIG. 3 is a right side view thereof;
FIG. 4 is a left side view thereof;
FIG. 5 is a bottom view thereof;
FIG. 6 is a top view thereof; and,
FIG. 7 is a front perspective view thereof.

The broken lines shown in FIGS. 1-7 represent stitching and are part of the claimed design.

1 Claim, 7 Drawing Sheets

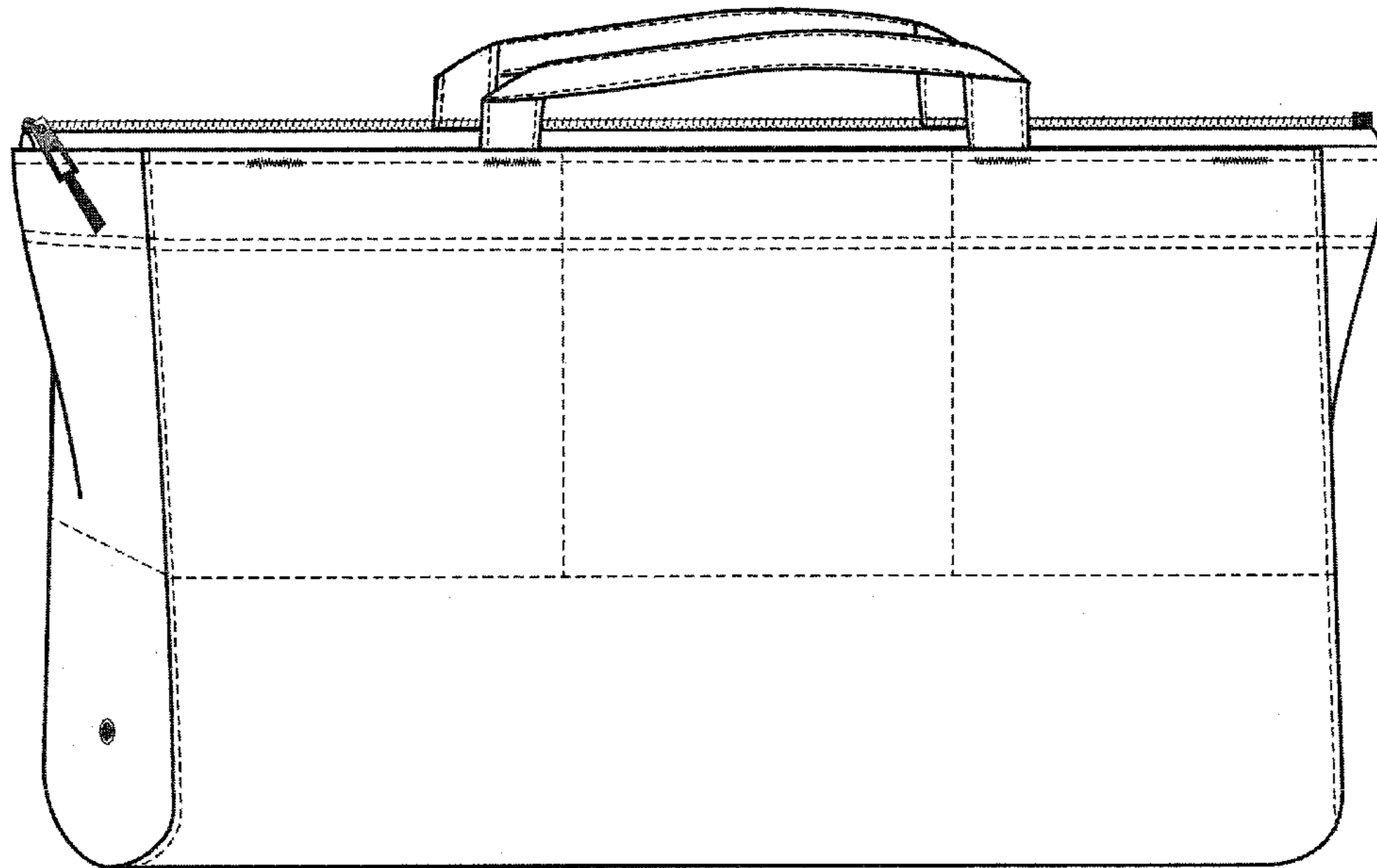


Fig. 1

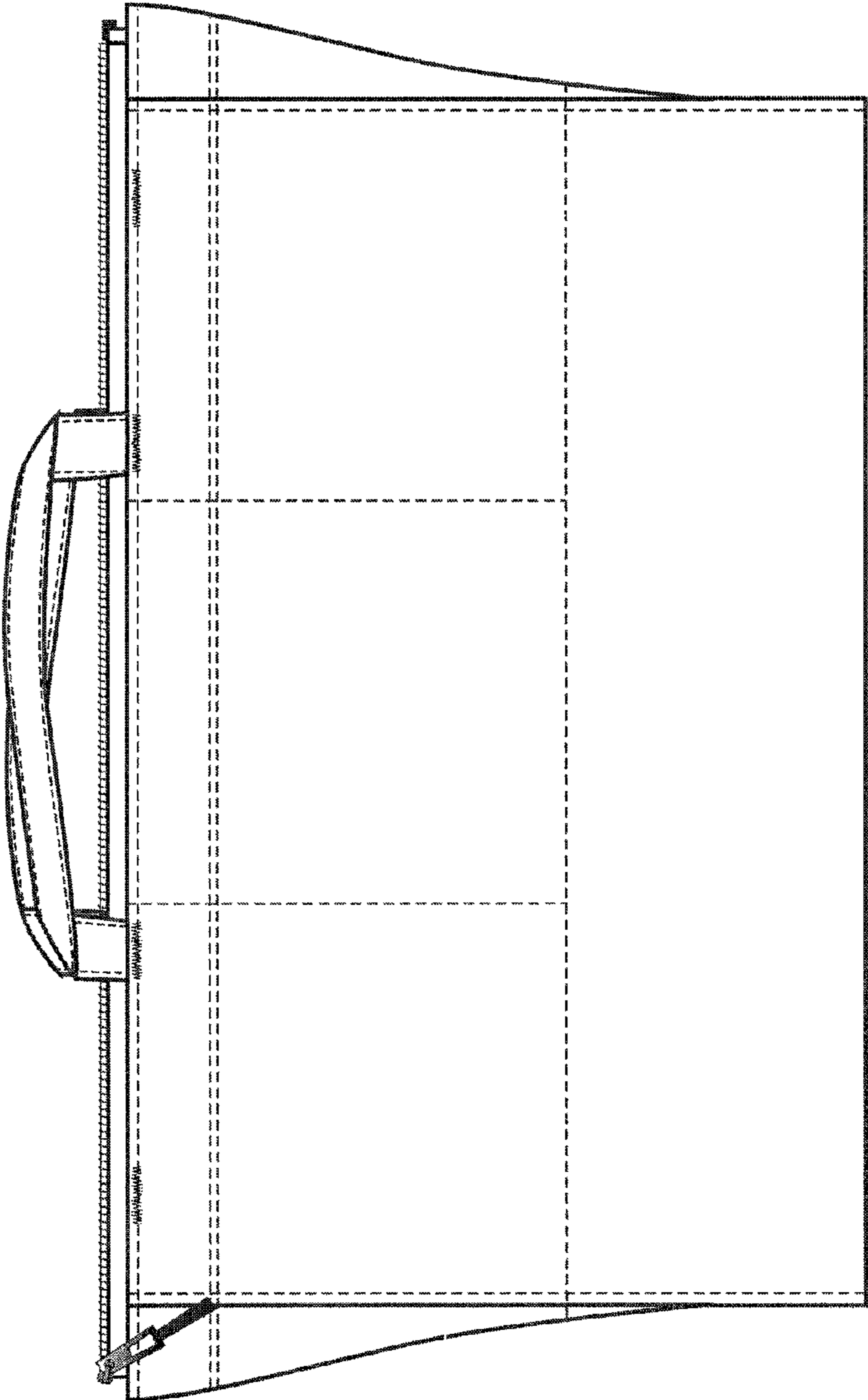
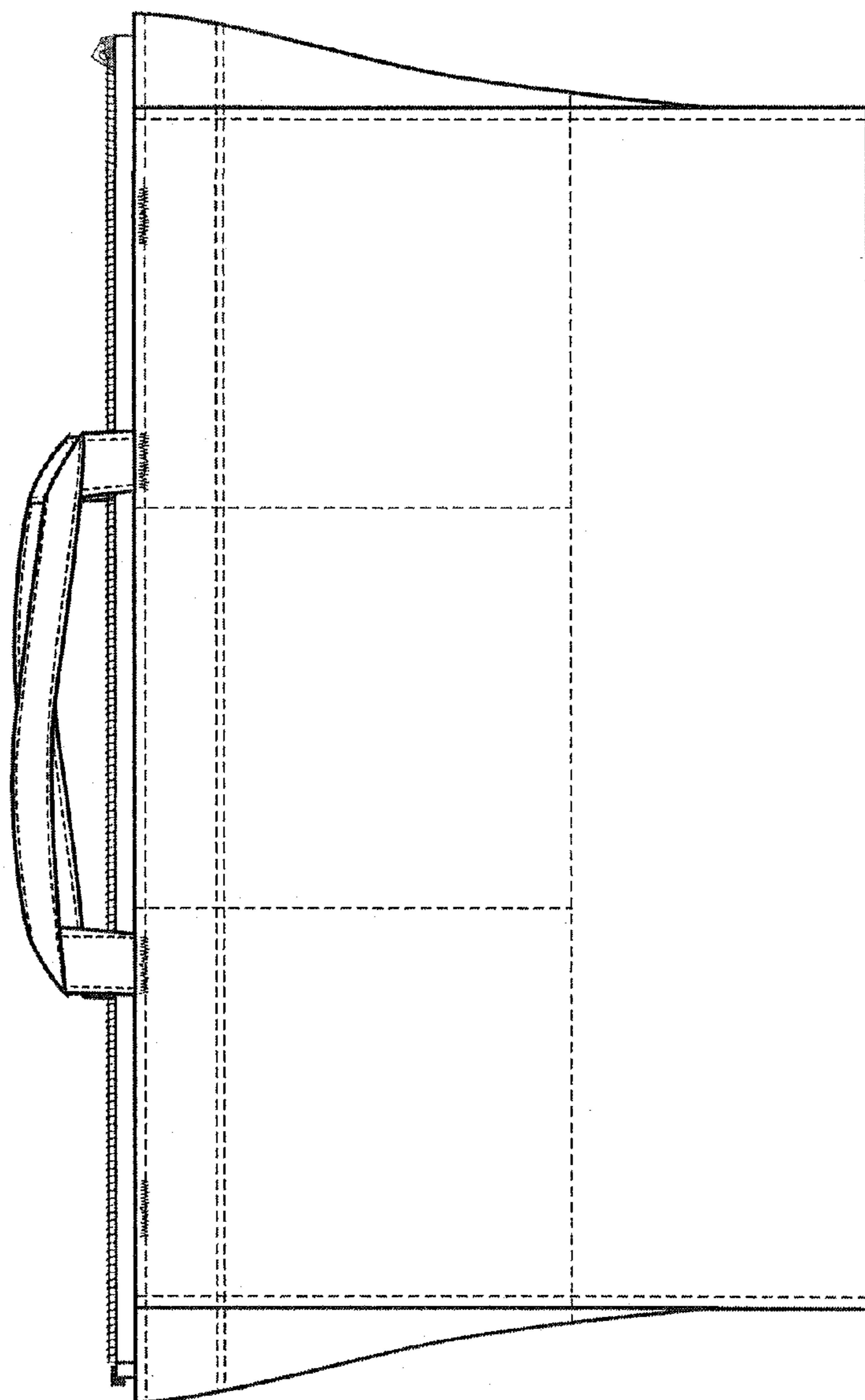


Fig. 2



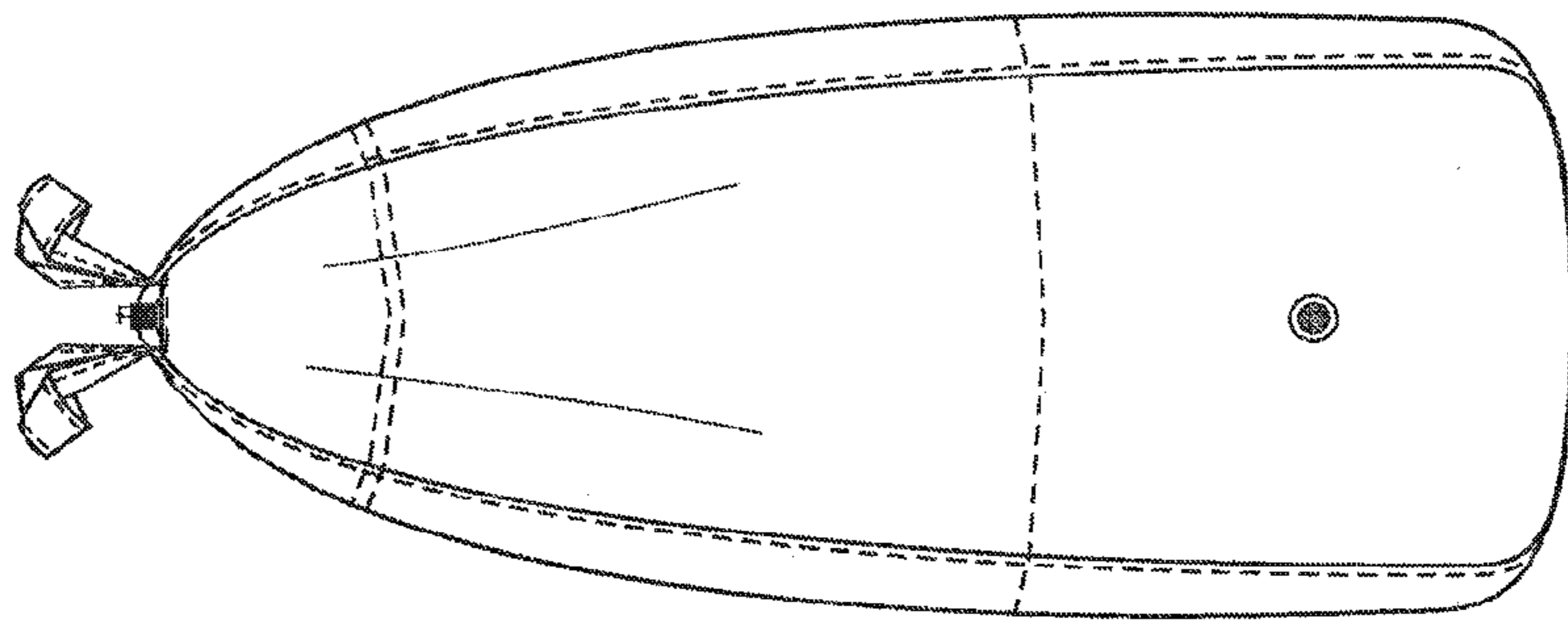


Fig. 3

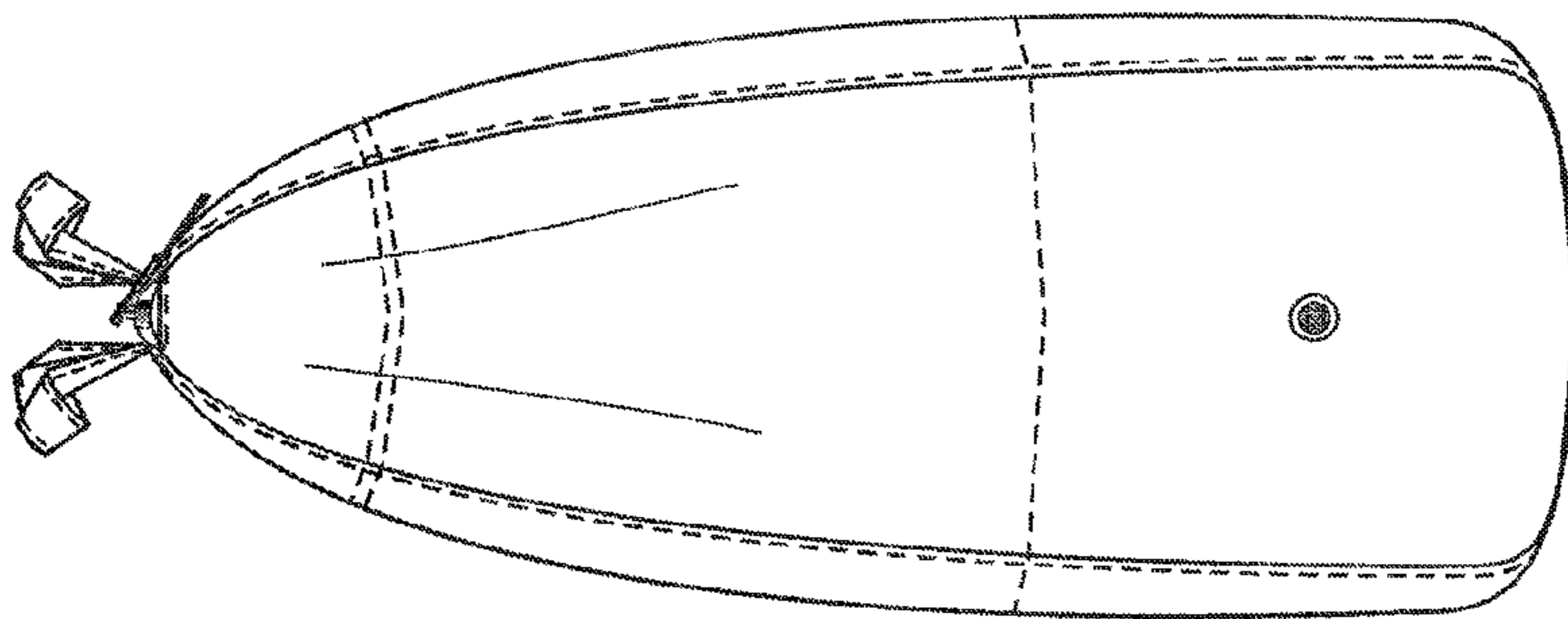


Fig. 4

Fig. 5

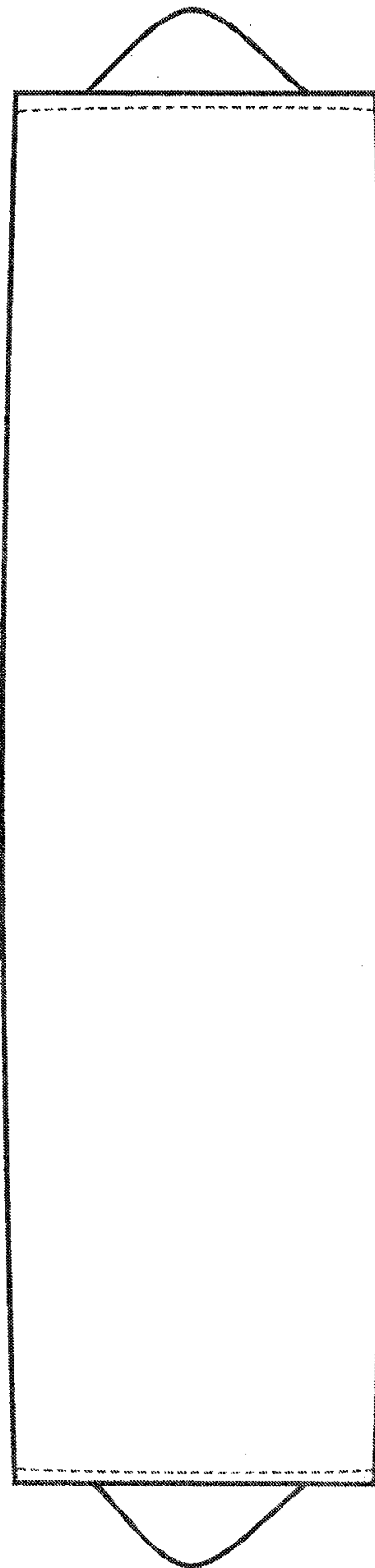
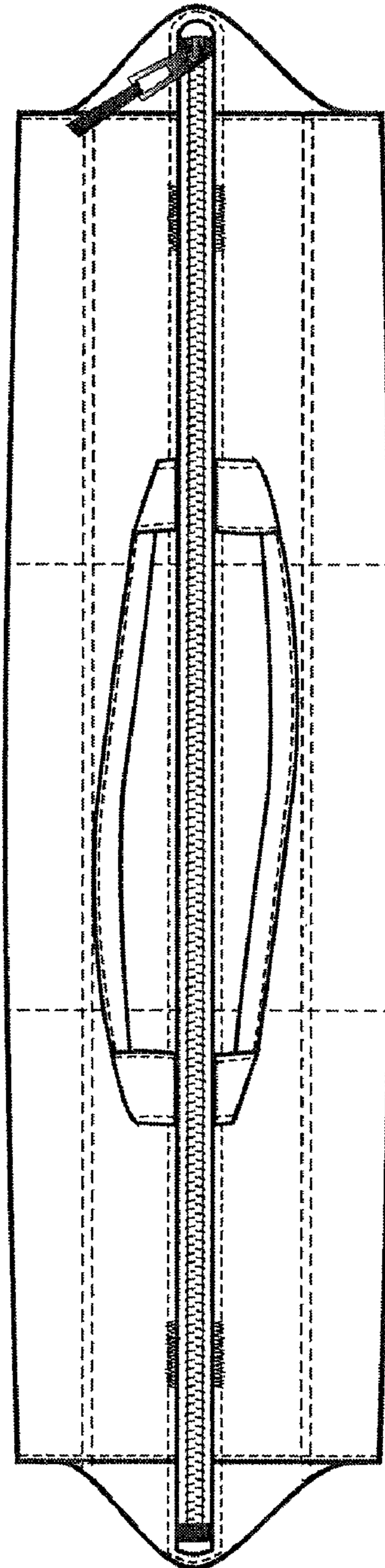


Fig. 6



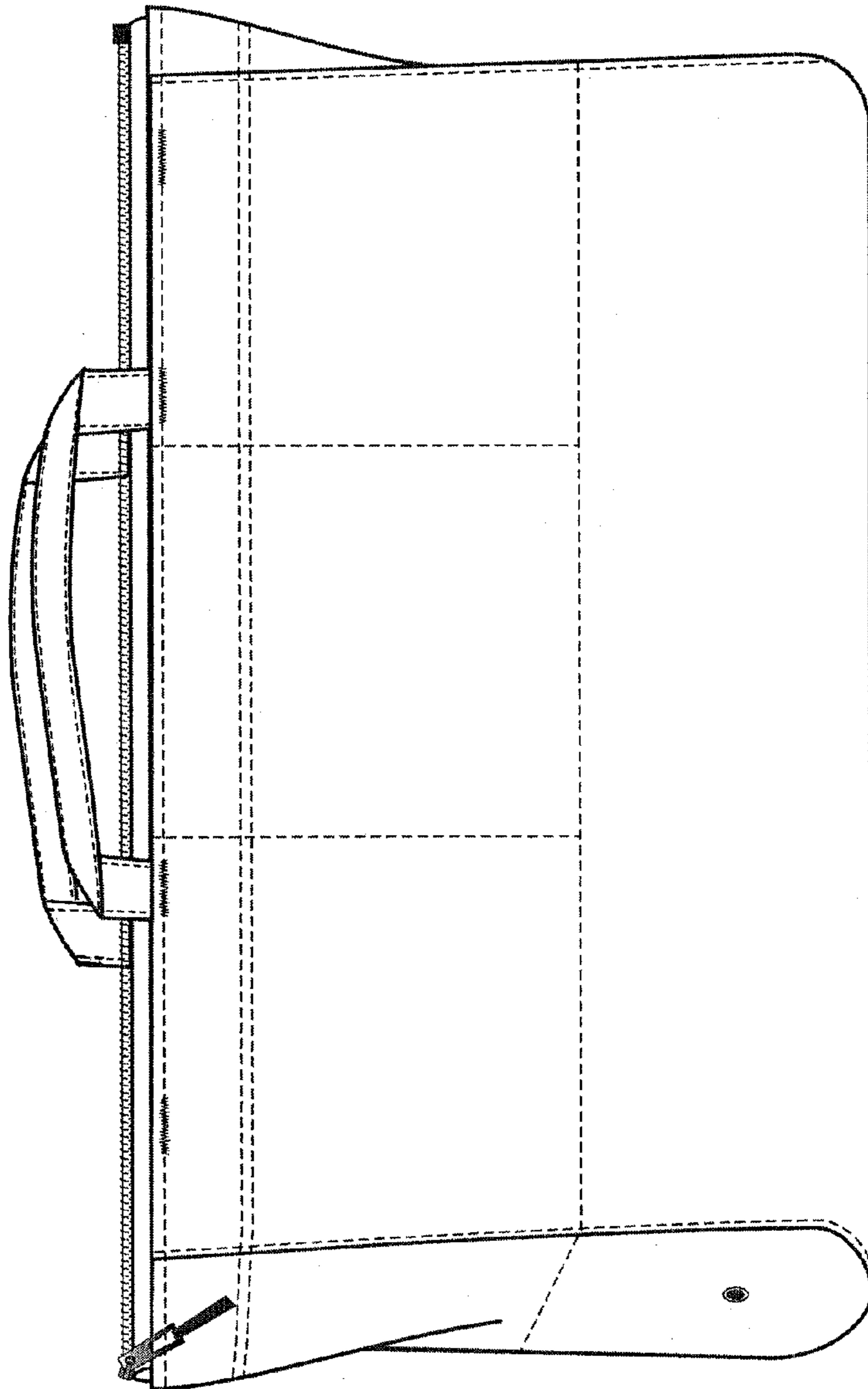


Fig. 7