



US00D668447S

(12) **United States Design Patent**
Lai

(10) **Patent No.:** **US D668,447 S**

(45) **Date of Patent:** **** Oct. 9, 2012**

(54) **RELEASABLE BASE WITH FOUR FERRULES FOR CRUTCH**

2010/0313925 A1* 12/2010 Jiang 135/82
2011/0220161 A1* 9/2011 Jordan et al. 135/66
2011/0240077 A1* 10/2011 Doherty et al. 135/71

(76) Inventor: **Hsin-Chou Lai**, Taichung (TW)

* cited by examiner

(**) Term: **14 Years**

Primary Examiner — T. Chase Nelson

Assistant Examiner — Ania Aman

(21) Appl. No.: **29/404,116**

(57) **CLAIM**

(22) Filed: **Oct. 17, 2011**

The ornamental design for a releasable base with four ferrules for crutch, as shown and described.

(51) **LOC (9) Cl.** **03-03**

(52) **U.S. Cl.** **D3/17**

(58) **Field of Classification Search** D3/5-17;
135/66-73, 74, 75, 65, 76-85; D21/725,
D21/780; D12/130, 133; D6/495

DESCRIPTION

See application file for complete search history.

FIG. 1 is a perspective view of a releasable base with four ferrules for crutch showing my new design;
FIG. 2 is a front elevational view thereof;
FIG. 3 is a rear elevational view thereof;
FIG. 4 is a left side view thereof;
FIG. 5 is a right side view thereof;
FIG. 6 is a top plan view thereof;
FIG. 7 is a bottom plan view thereof; and,
FIG. 8 is a side view for showing the releasable base mounted on the bottom of a crutch.

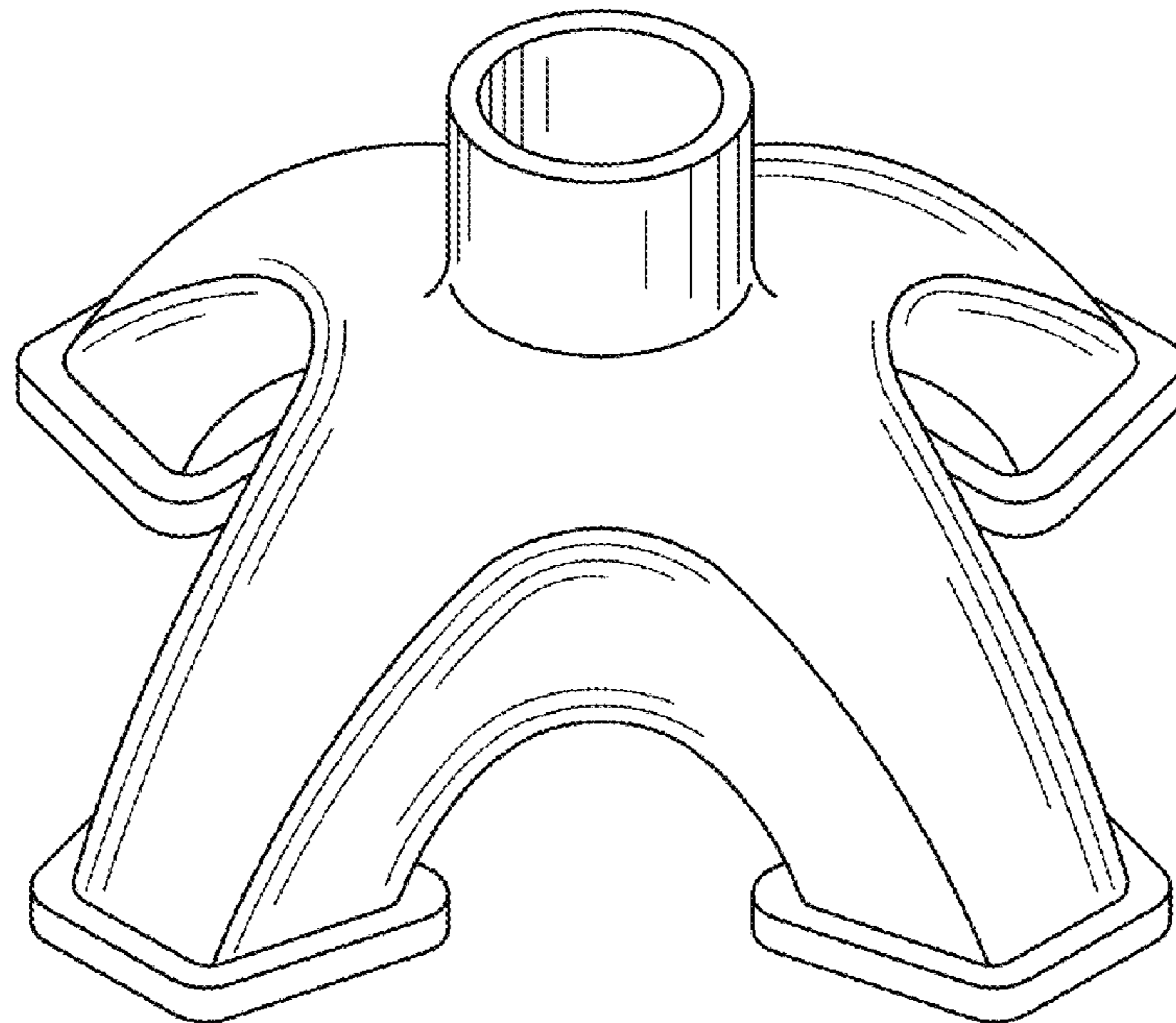
(56) **References Cited**

The broken line portions in FIGS. 7-8 are for illustrative purposes only and form no part of the claimed design.

U.S. PATENT DOCUMENTS

D324,946	S	*	3/1992	Karten	D3/17
6,131,593	A	*	10/2000	Greene et al.	135/77
6,305,659	B1	*	10/2001	Metelski	248/519
6,557,188	B1	*	5/2003	Peterson	5/81.1 R
D618,453	S	*	6/2010	Jiang	D3/17
D627,150	S	*	11/2010	Chao	D3/17
D632,476	S	*	2/2011	Owens et al.	D3/17
D635,351	S	*	4/2011	White	D3/17

1 Claim, 5 Drawing Sheets



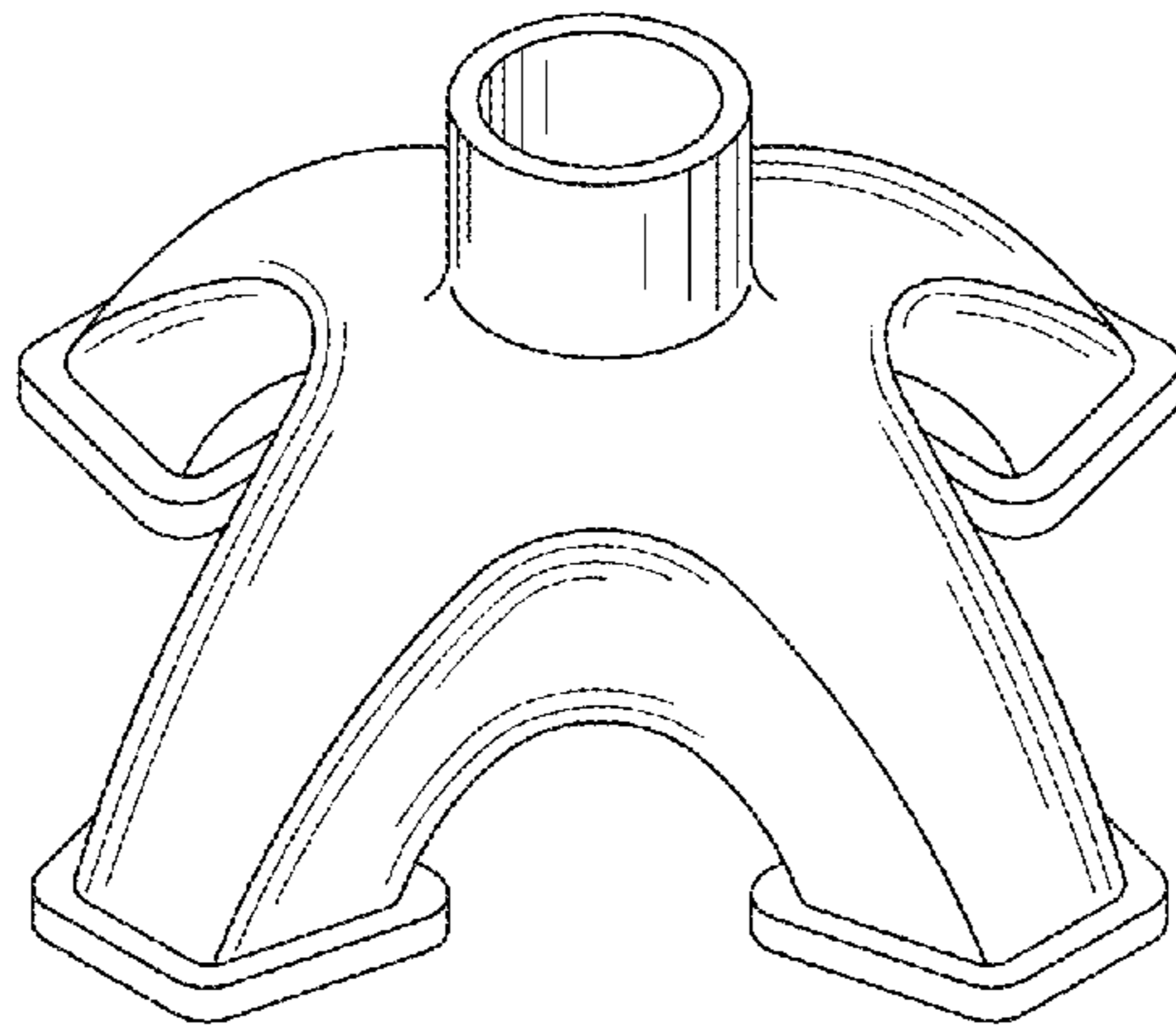


FIG. 1

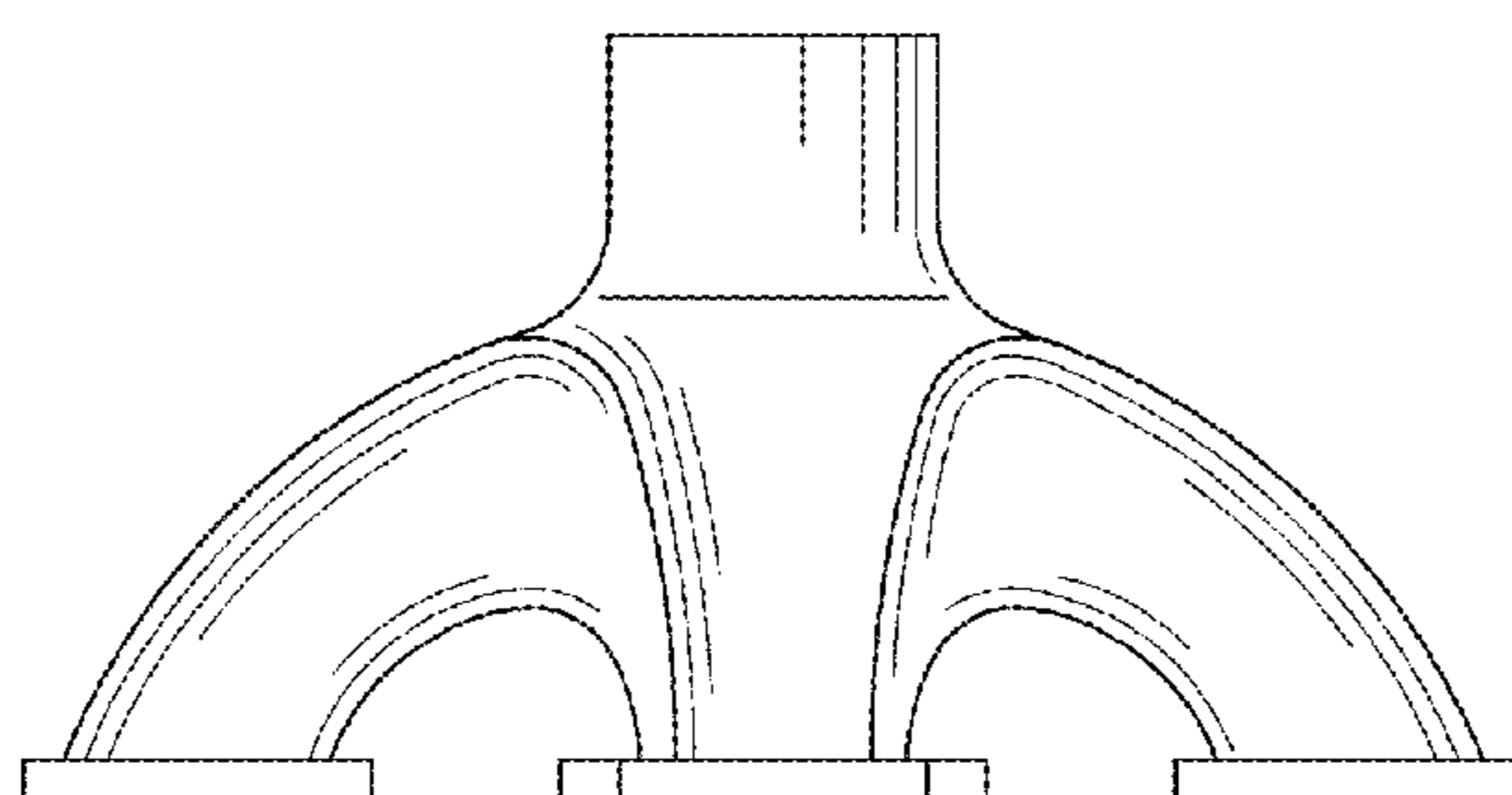


FIG. 2

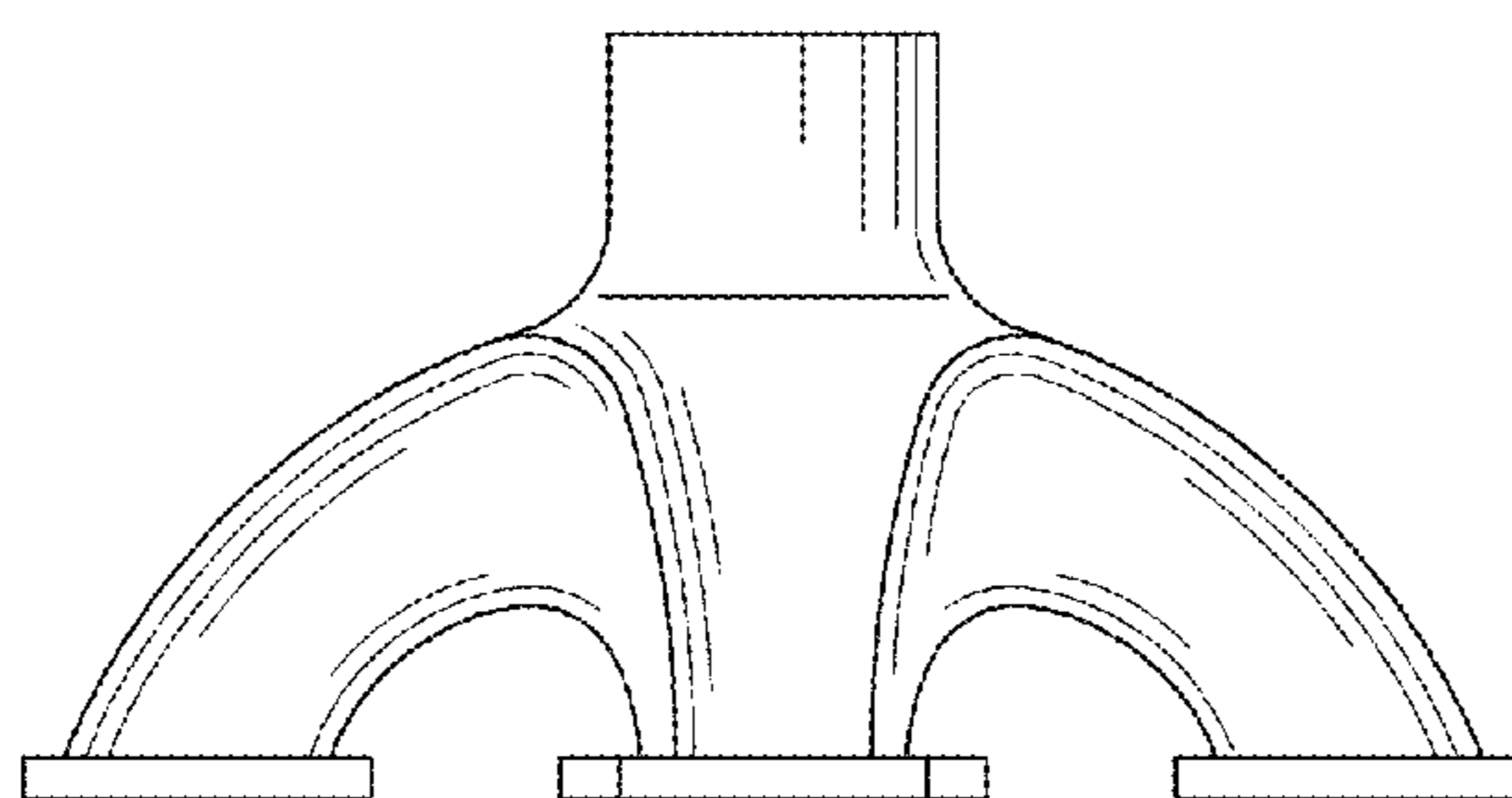


FIG. 3

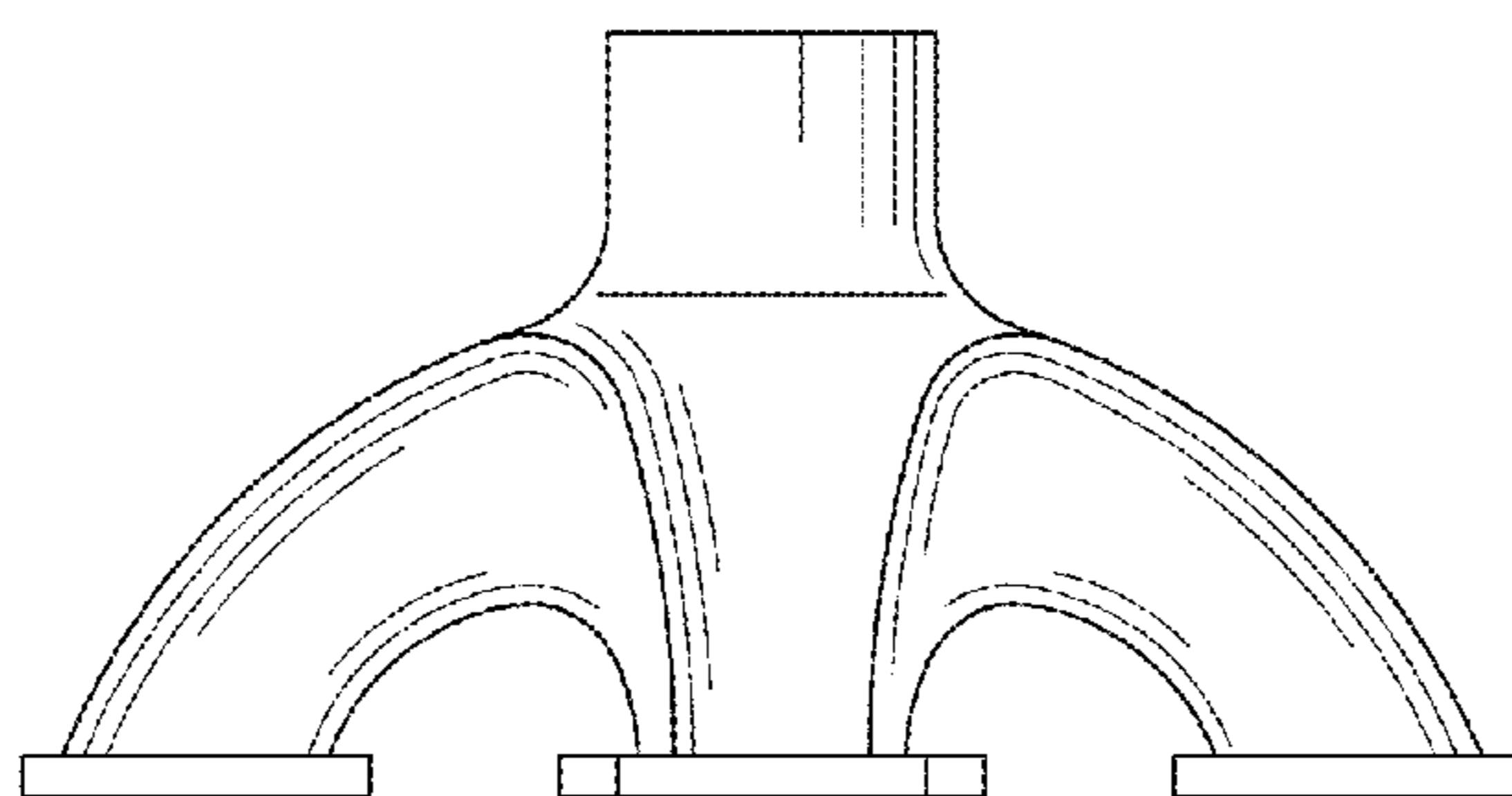


FIG. 4

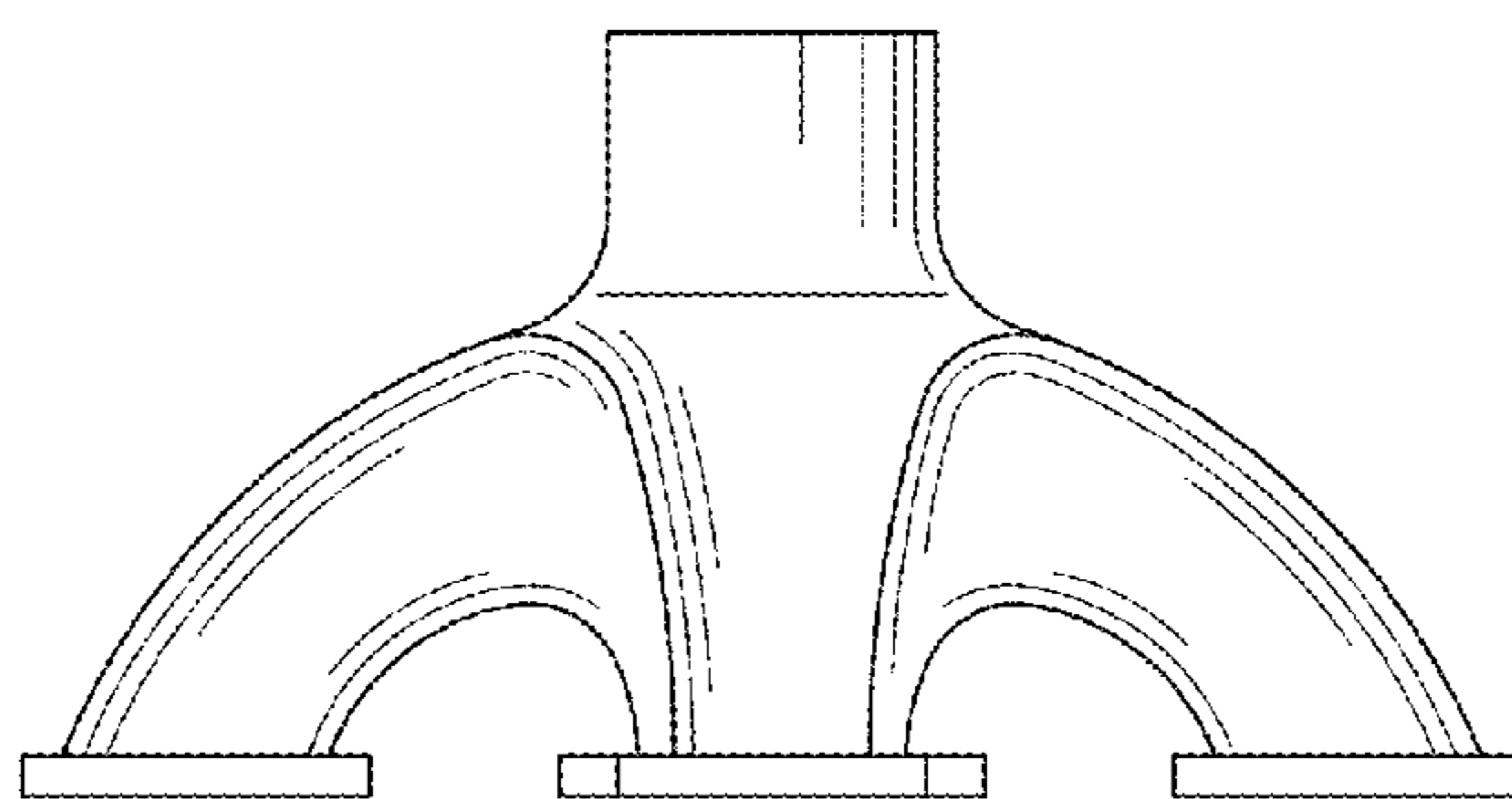


FIG. 5

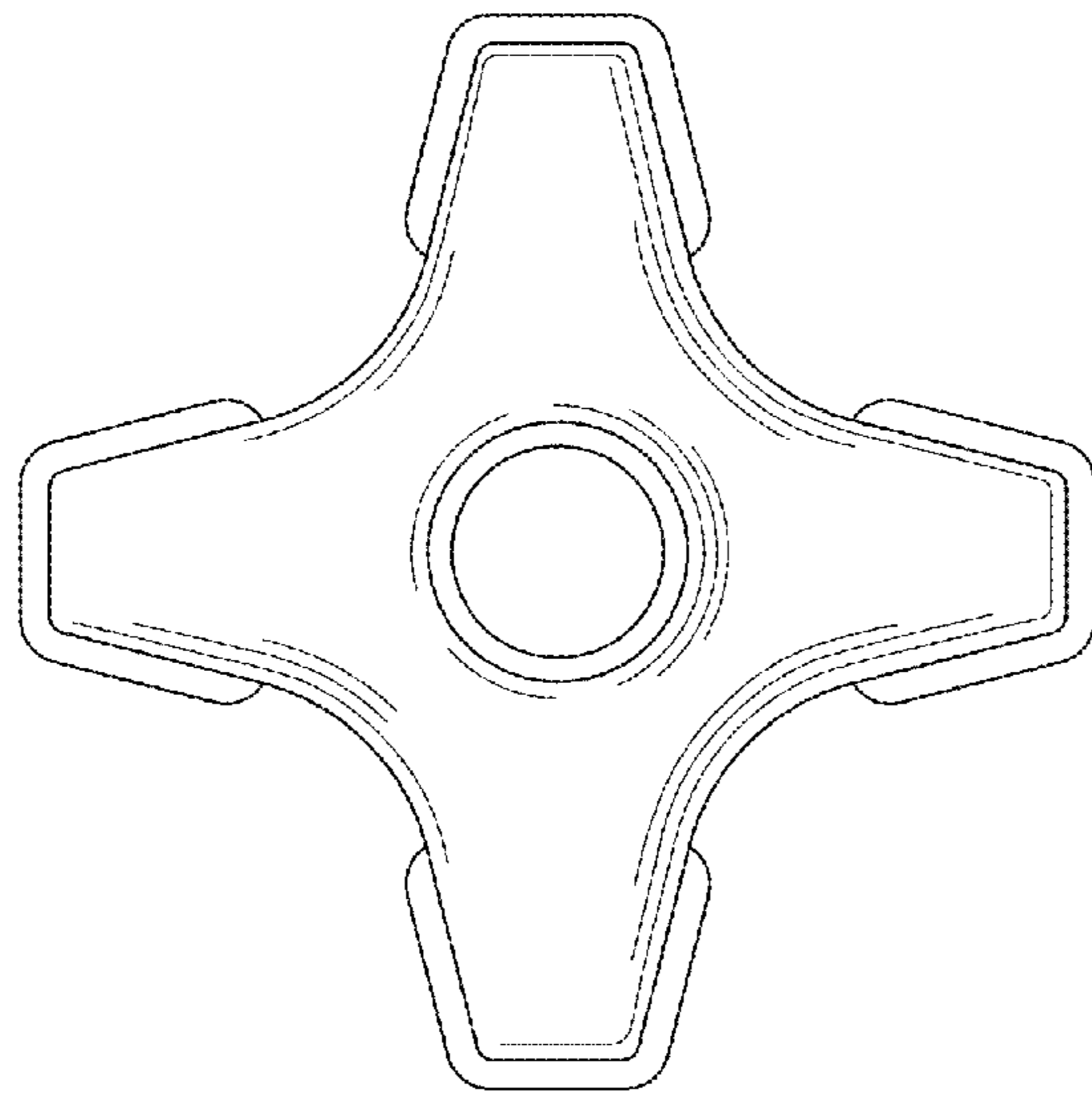


FIG. 6

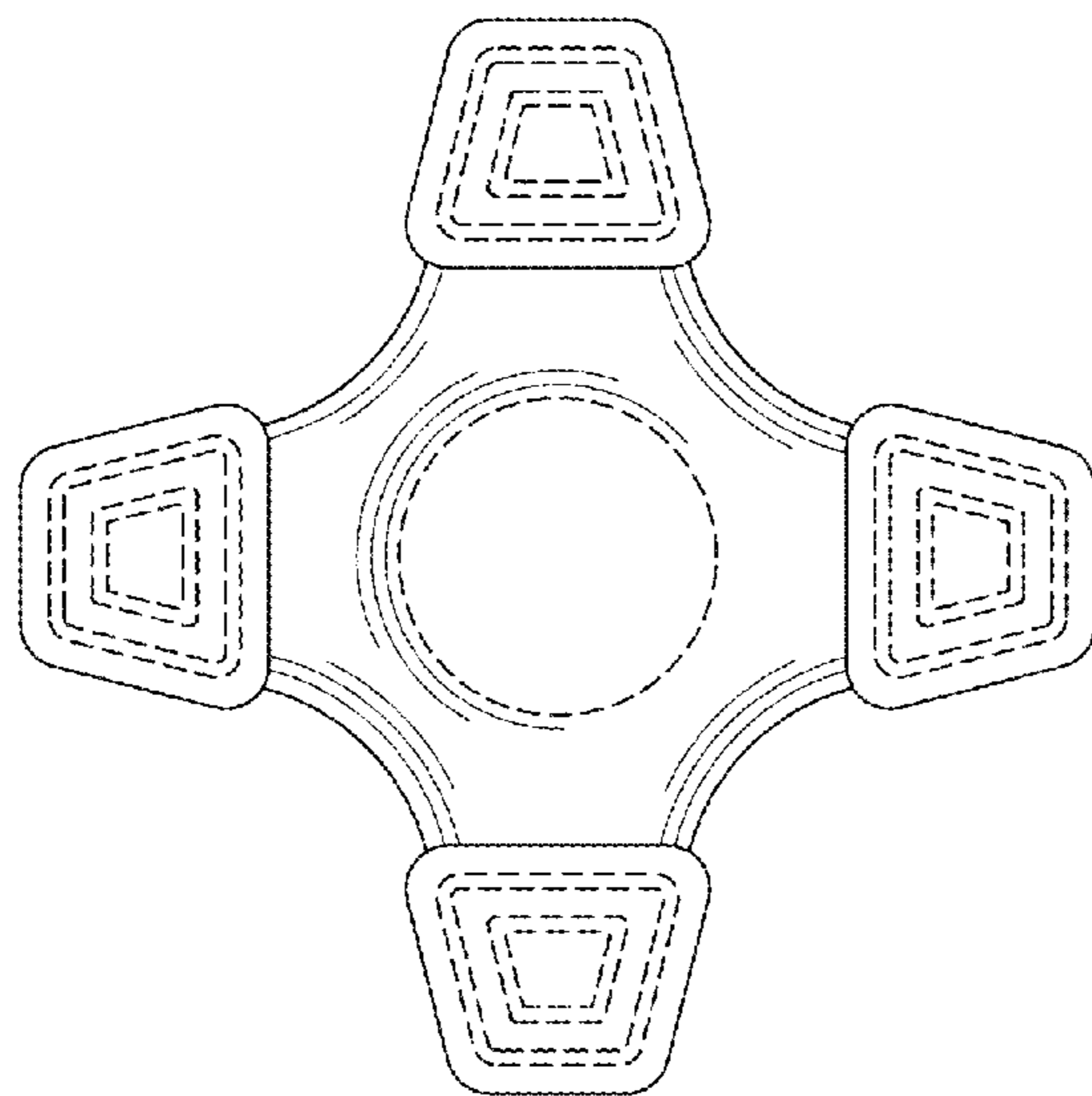


FIG. 7

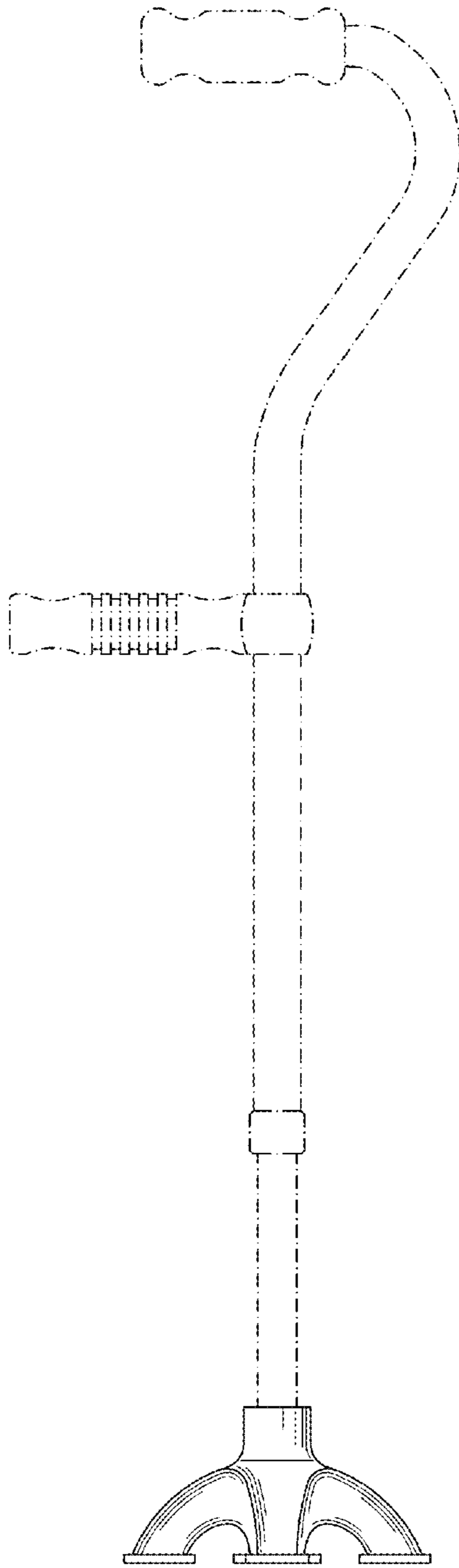


FIG. 8