



US00D668425S

(12) **United States Design Patent**  
**Swasey et al.**

(10) **Patent No.:** **US D668,425 S**

(45) **Date of Patent:** **\*\* Oct. 2, 2012**

(54) **SCISSOR ASSEMBLY FOR A SCISSOR LIFT**

(74) *Attorney, Agent, or Firm* — Graham Curtin, PA

(75) Inventors: **Merin Swasey**, North Logan, UT (US);  
**Tyler R. Kirby**, Logan, UT (US)

(73) Assignee: **Boomerang Systems, Inc.**, Morristown,  
NJ (US)

(\*\*) Term: **14 Years**

(21) Appl. No.: **29/388,443**

(22) Filed: **Mar. 29, 2011**

(51) **LOC (9) Cl.** ..... **12-05**

(52) **U.S. Cl.** ..... **D34/35**

(58) **Field of Classification Search** ..... D34/35,  
D34/28, 31; 108/145, 147; 248/421, 588,  
248/157, 277.1; 254/9 C, 122; 182/141,  
182/157

See application file for complete search history.

(56) **References Cited**

**U.S. PATENT DOCUMENTS**

423,800	A *	3/1890	Nodder et al.	297/209
1,991,255	A	2/1935	Martin	
2,581,023	A *	1/1952	Jerick	108/4
3,259,369	A *	7/1966	Gridley	254/122
RE27,914	E *	2/1974	King	182/16
4,114,854	A *	9/1978	Clark	254/122
4,682,750	A *	7/1987	Rudolph et al.	108/145
4,822,004	A *	4/1989	Van Lierop	254/122
4,854,421	A *	8/1989	Kawada	187/211
4,926,760	A *	5/1990	Sack	108/145
5,476,050	A *	12/1995	Zimmer et al.	108/145
5,588,377	A *	12/1996	Fahmian	108/145
6,705,238	B1	3/2004	Heckert	
7,950,618	B1 *	5/2011	Burer	248/564
2004/0000664	A1	1/2004	Watkins	
2006/0037518	A1	2/2006	Lopez Alba	
2010/0270523	A1 *	10/2010	Schmitt et al.	254/93 R

\* cited by examiner

*Primary Examiner* — Cynthia Ramirez

(57) **CLAIM**

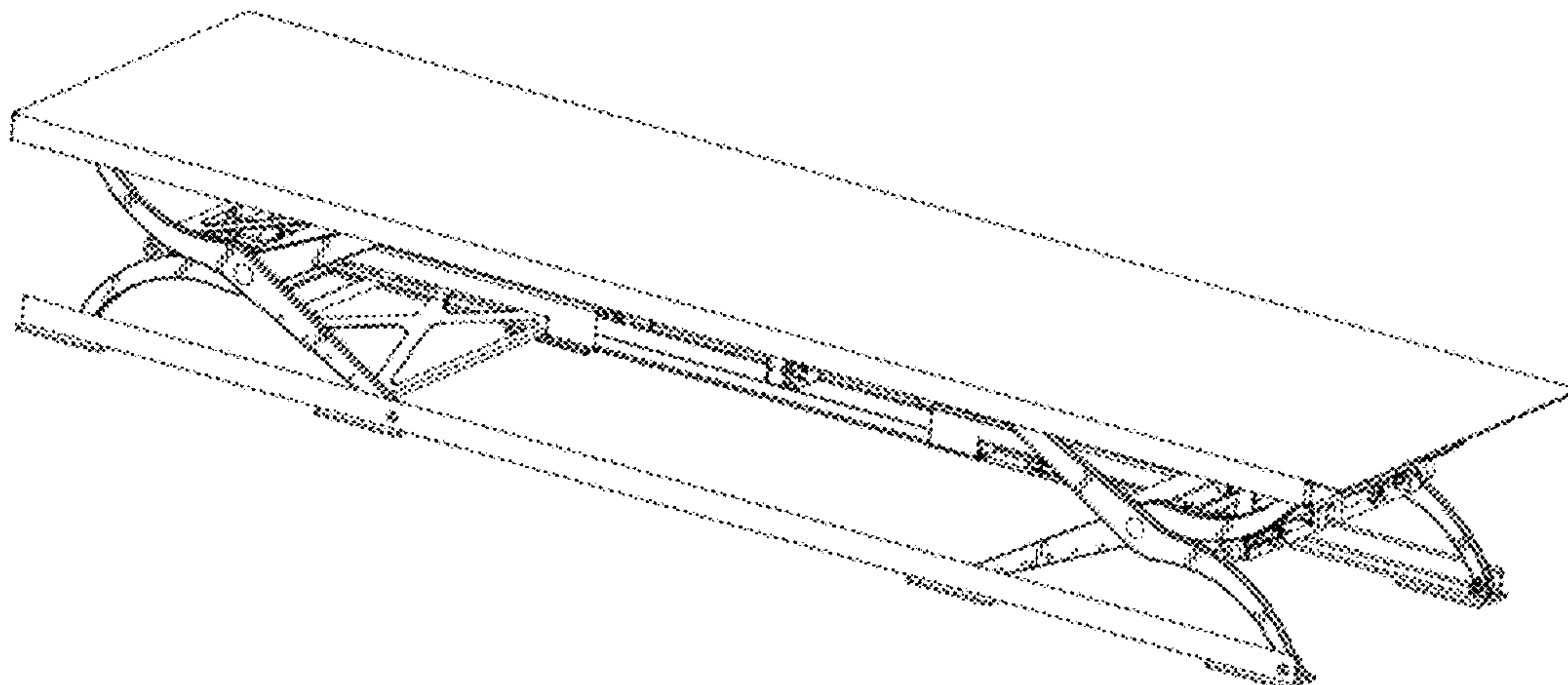
We claim the ornamental design for a scissor assembly for a scissor lift, as shown and described.

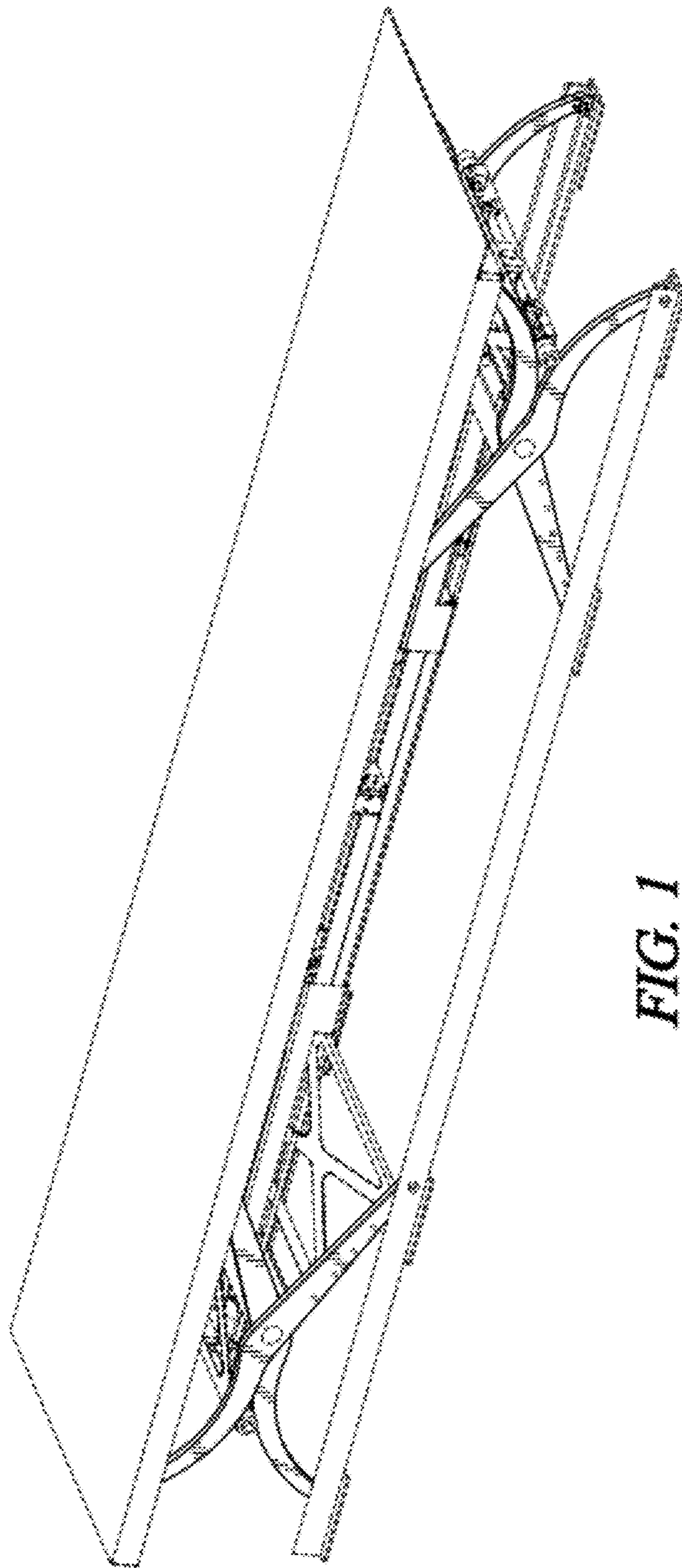
**DESCRIPTION**

FIG. 1 is a front isometric view of a scissor assembly for a scissor lift showing our new design;  
 FIG. 2 is a rear elevation of FIG. 1;  
 FIG. 3 is a left side elevation of FIG. 1;  
 FIG. 4 is a right side elevation of FIG. 1;  
 FIG. 5 is front side isometric view of a scissor element located on the right front corner as shown in FIG. 1;  
 FIG. 6 is a rear elevation view of FIG. 5;  
 FIG. 7 is a top view of FIG. 9;  
 FIG. 8 is a left view of FIG. 9;  
 FIG. 9 is a front view of FIG. 5;  
 FIG. 10 is a right view of FIG. 9;  
 FIG. 11 is a bottom view of FIG. 9;  
 FIG. 12 is a front side perspective view of a scissor element located on the left rear corner, hidden from view in FIG. 1 (but shown in FIG. 2 on the right side);  
 FIG. 13 is a rear elevation of FIG. 12;  
 FIG. 14 is a top view of FIG. 16;  
 FIG. 15 is a left view of FIG. 16;  
 FIG. 16 is a front view of FIG. 12;  
 FIG. 17 is a right view of FIG. 16; and,  
 FIG. 18 is a bottom view of FIG. 16.

The portions of the scissor assembly and scissor elements shown in broken lines form no part of the claimed design. The scissor elements are being shown separately in FIGS. 5 through 18 for convenience of illustration.

**1 Claim, 6 Drawing Sheets**





**FIG. 1**



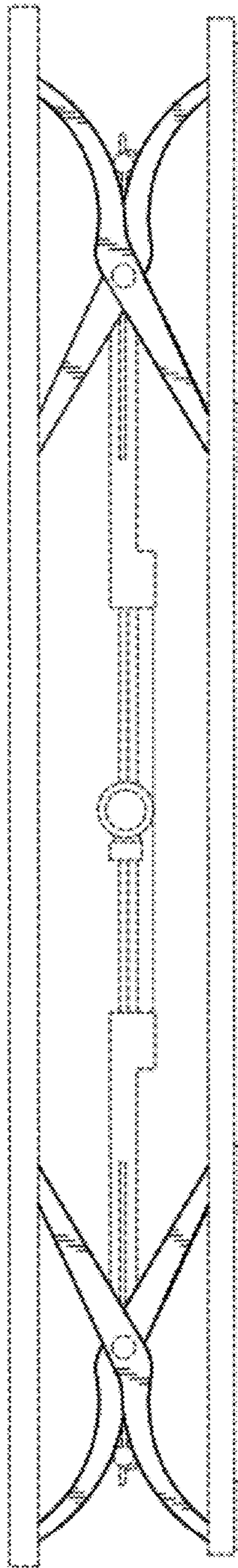


FIG. 2

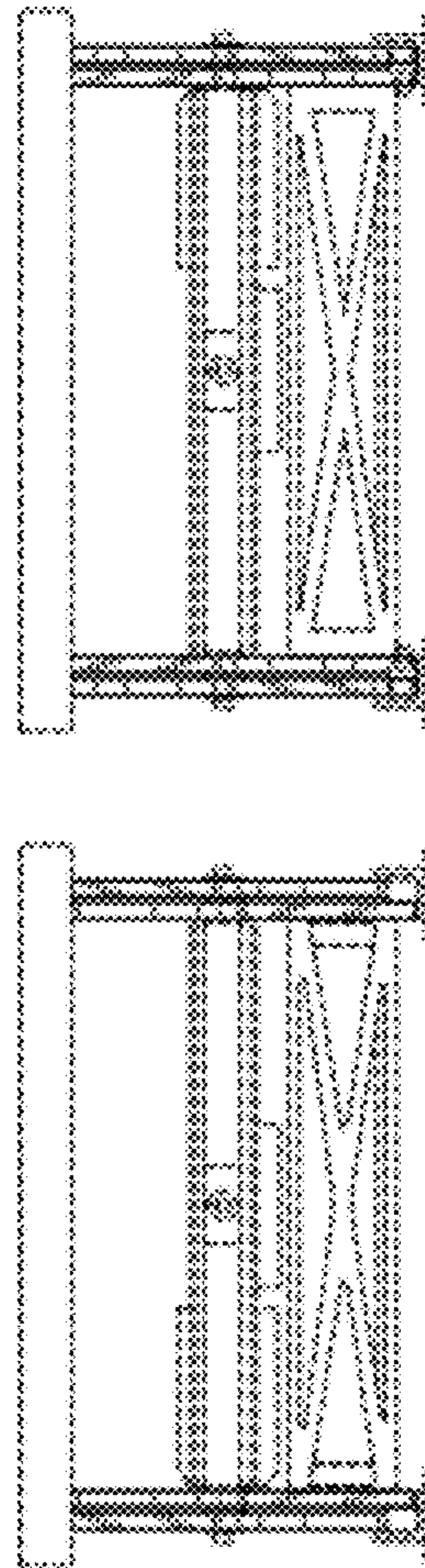
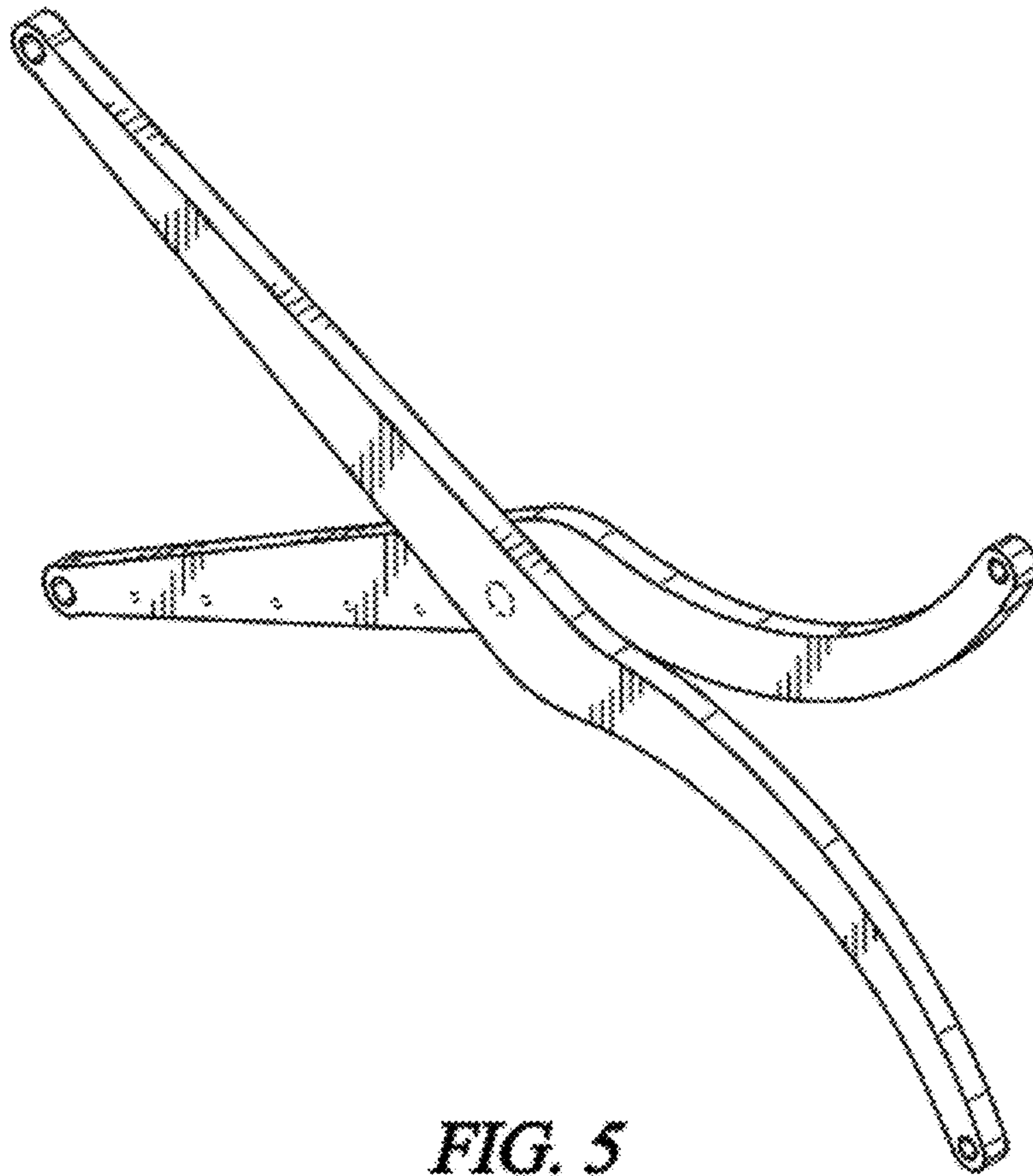
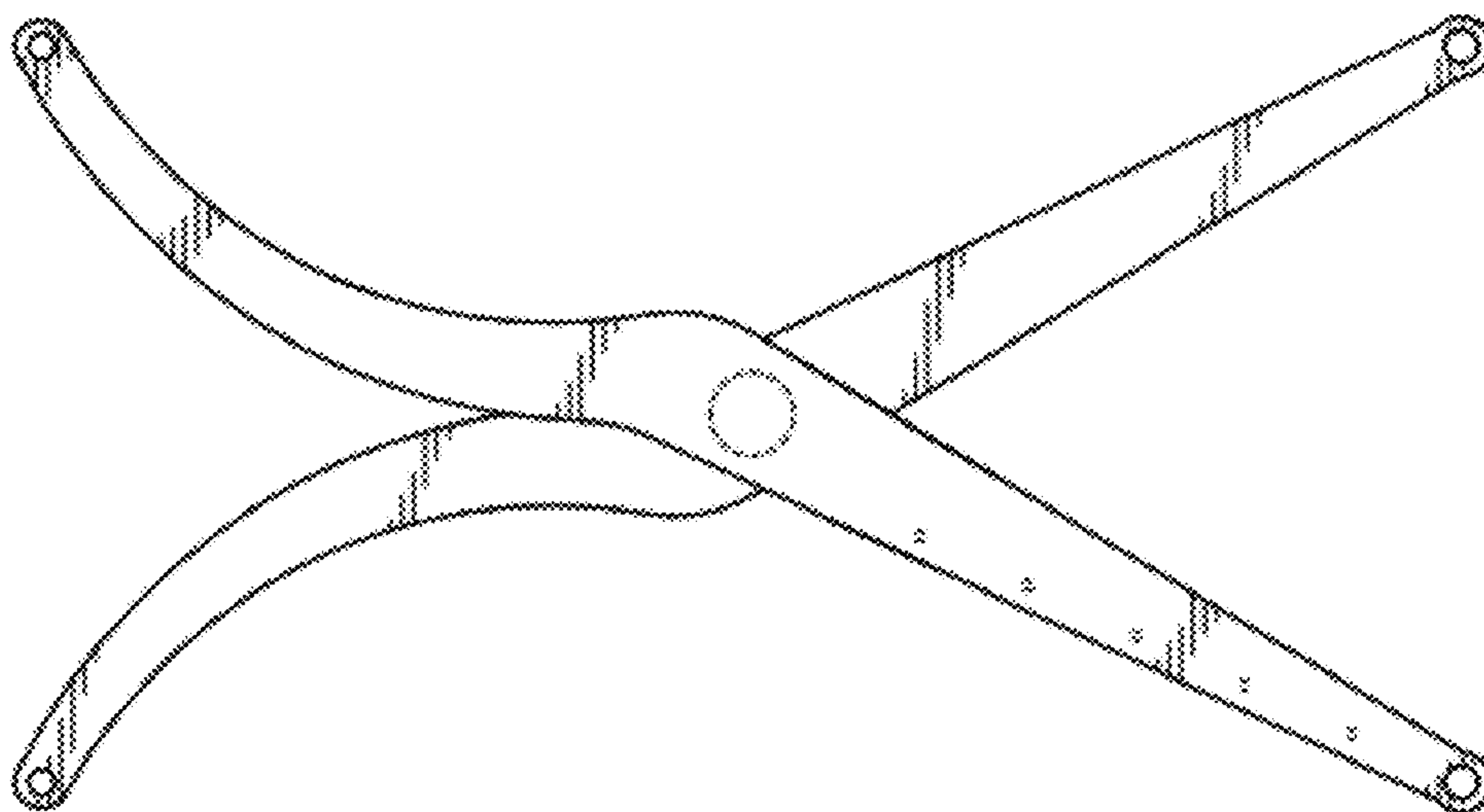


FIG. 3

FIG. 4



**FIG. 5**



**FIG. 6**

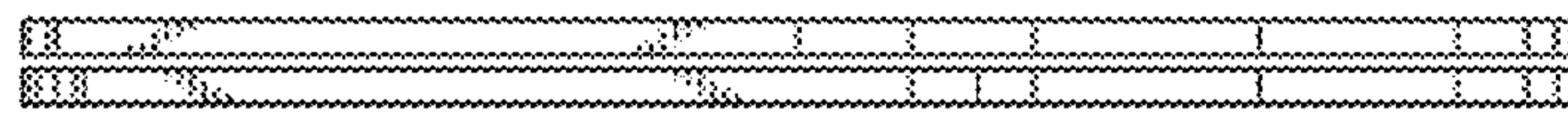


FIG. 7



FIG. 8

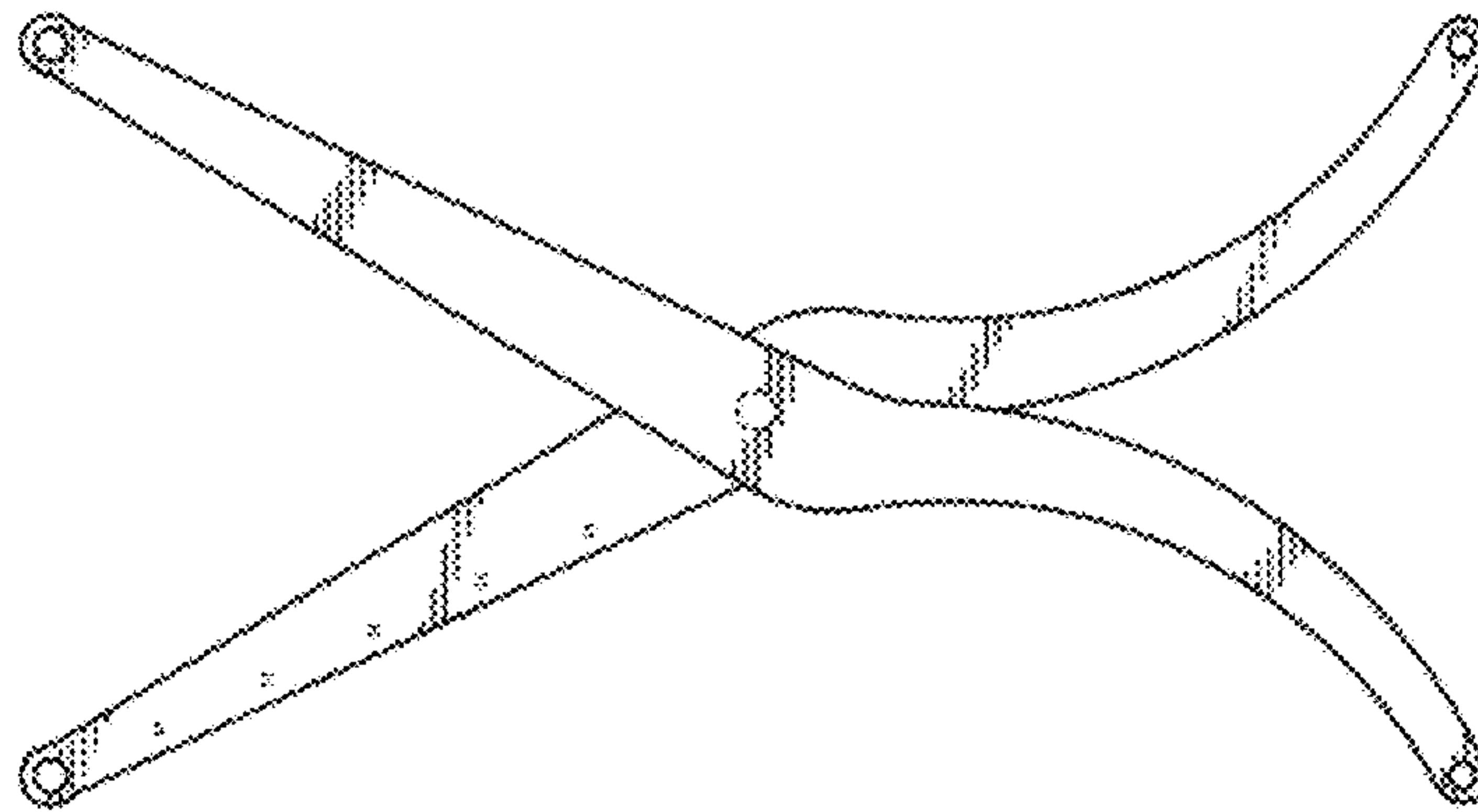


FIG. 9



FIG. 10

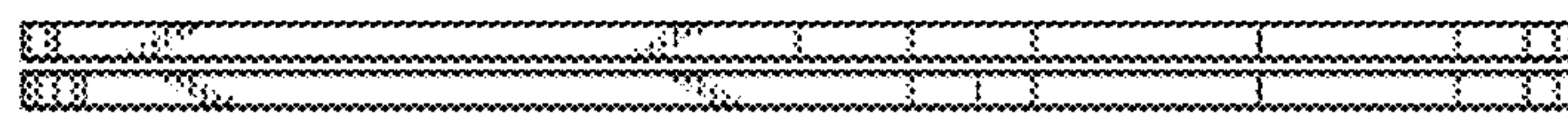
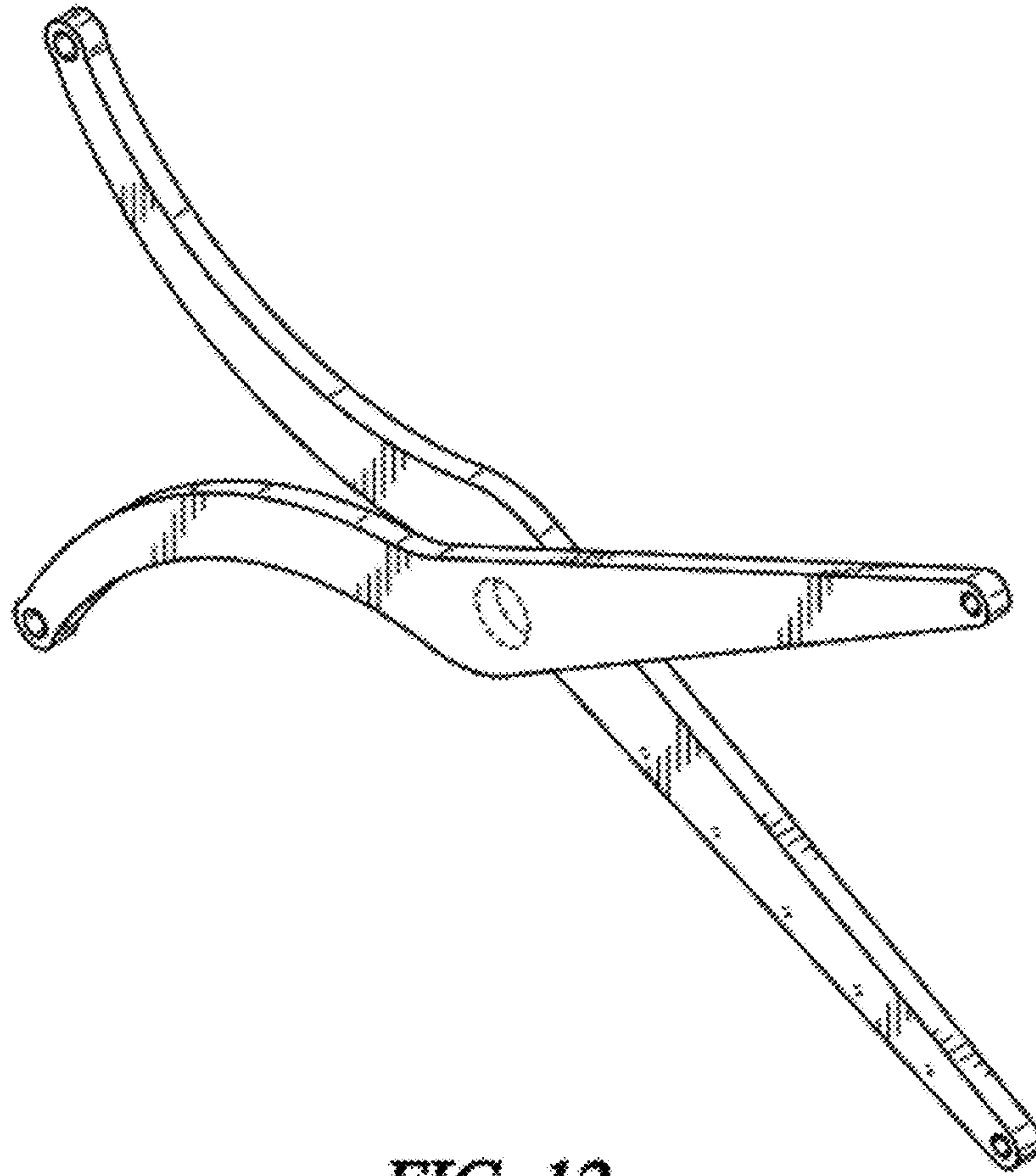
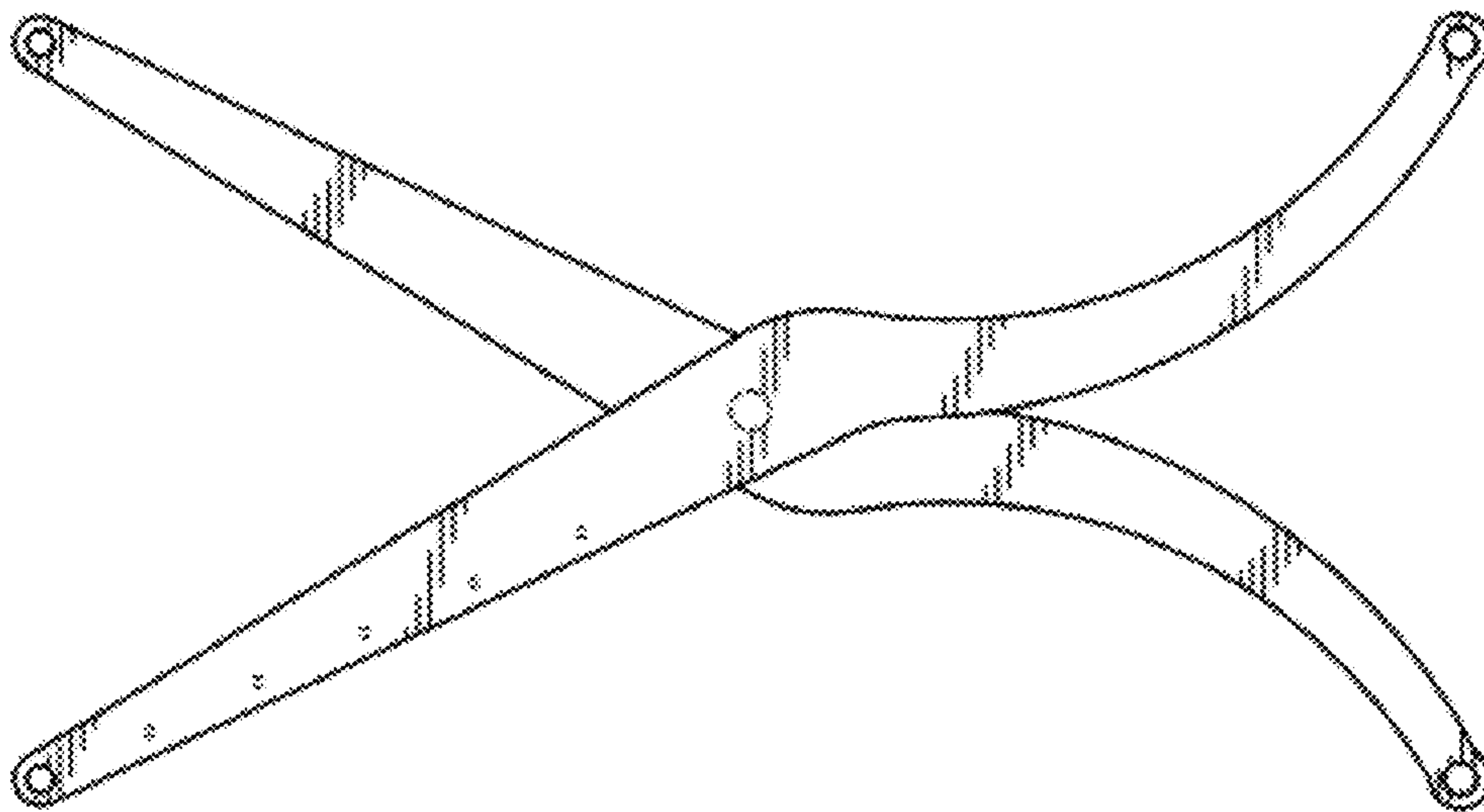


FIG. 11

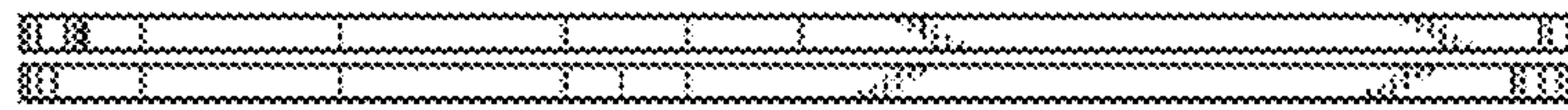


**FIG. 12**



**FIG. 13**

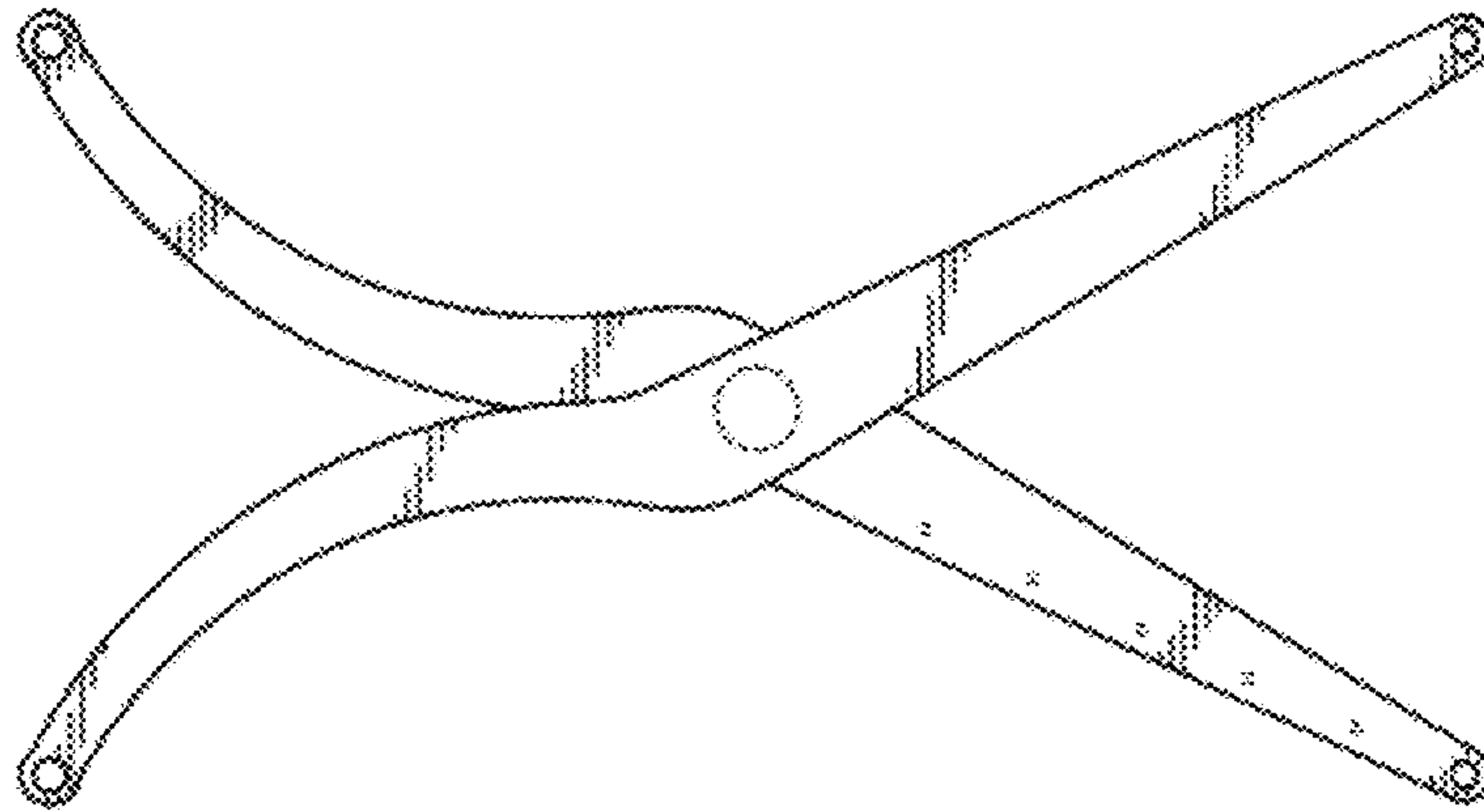




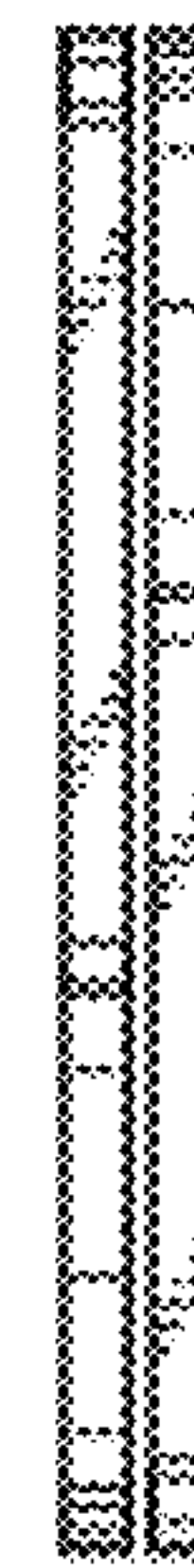
*FIG. 14*



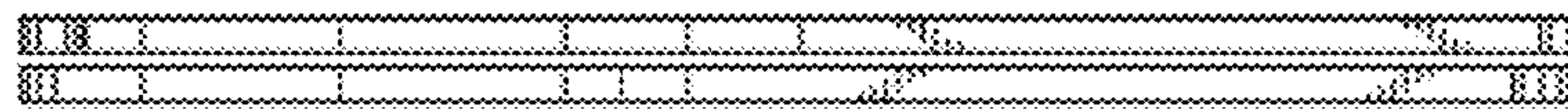
*FIG. 15*



*FIG. 16*



*FIG. 17*



*FIG. 18*