



US00D668424S

(12) **United States Design Patent**  
**Hüppe et al.**

(10) **Patent No.:** **US D668,424 S**

(45) **Date of Patent:** **\*\* Oct. 2, 2012**

(54) **PATIENT HOIST CONTROLLER**

(75) Inventors: **Michael Hüppe**, Gummersbach (DE);  
**Michael Kritzer**, Gummersbach (DE)

(73) Assignee: **ilcon GmbH**, Freudenberg (DE)

(\*\*) Term: **14 Years**

(21) Appl. No.: **29/383,617**

(22) Filed: **Jan. 20, 2011**

(30) **Foreign Application Priority Data**

Jul. 20, 2010 (EM) ..... 001225601-0002

(51) **LOC (9) Cl.** ..... **12-05**

(52) **U.S. Cl.** ..... **D34/35**

(58) **Field of Classification Search** ..... D34/28,  
D34/33, 35; 187/222; D14/415; D12/128;  
D24/183, 184, 185, 190; 254/362, 380; 200/298  
See application file for complete search history.

(56) **References Cited**

U.S. PATENT DOCUMENTS

3,931,486	A *	1/1976	Raetz	.....	200/558
4,209,681	A *	6/1980	Somborn et al.	.....	200/505
4,635,903	A *	1/1987	Broyden et al.	.....	254/362
5,480,125	A *	1/1996	Bitsch et al.	.....	254/264
D376,244	S *	12/1996	Feider et al.	.....	D34/35
D376,886	S *	12/1996	Dunn et al.	.....	D34/28
5,614,701	A *	3/1997	Hung	.....	200/61.85
6,525,282	B2 *	2/2003	Krebs et al.	.....	200/298
7,504,602	B2 *	3/2009	Rohr et al.	.....	200/298
D590,122	S *	4/2009	Shaw et al.	.....	D34/35

D599,075	S *	8/2009	Shibata et al.	.....	D34/35
D626,714	S *	11/2010	Standke	.....	D34/35
D642,353	S *	7/2011	Li	.....	D34/28
D644,644	S *	9/2011	Wang et al.	.....	D14/415
2001/0025775	A1 *	10/2001	Krebs et al.	.....	200/298

\* cited by examiner

*Primary Examiner* — Cynthia Ramirez

(74) *Attorney, Agent, or Firm* — Grossman Tucker Perreault & Pfleger, PLLC

(57) **CLAIM**

The ornamental design for a patient hoist controller, as shown and described.

**DESCRIPTION**

FIG. 1 is a first perspective view of a patient hoist controller of the present invention;

FIG. 2 is a second perspective view of the patient hoist controller of FIG. 1;

FIG. 3 is a front view of the patient hoist controller of FIG. 1;

FIG. 4 is a left side view of the patient hoist controller of FIG. 1;

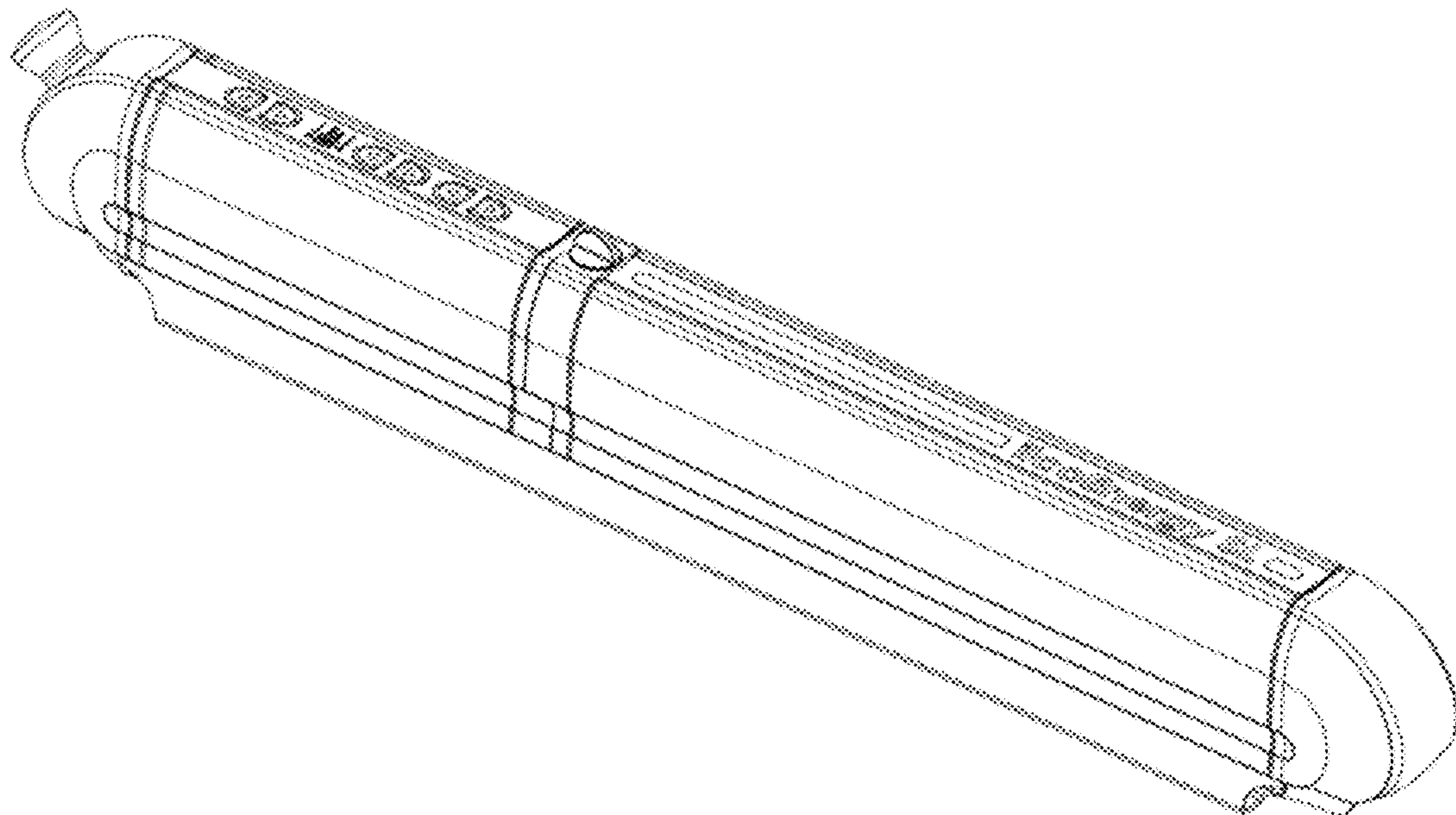
FIG. 5 is a right side view of the patient hoist controller of FIG. 1;

FIG. 6 is an enlarged top view of the patient hoist controller of FIG. 1; and,

FIG. 7 is an enlarged bottom view of the patient hoist controller of FIG. 1.

Portions of the patient hoist controller shown in broken lines in FIGS. 6 and 7 are showing elements of the controller and form no part of the claimed design.

**1 Claim, 5 Drawing Sheets**



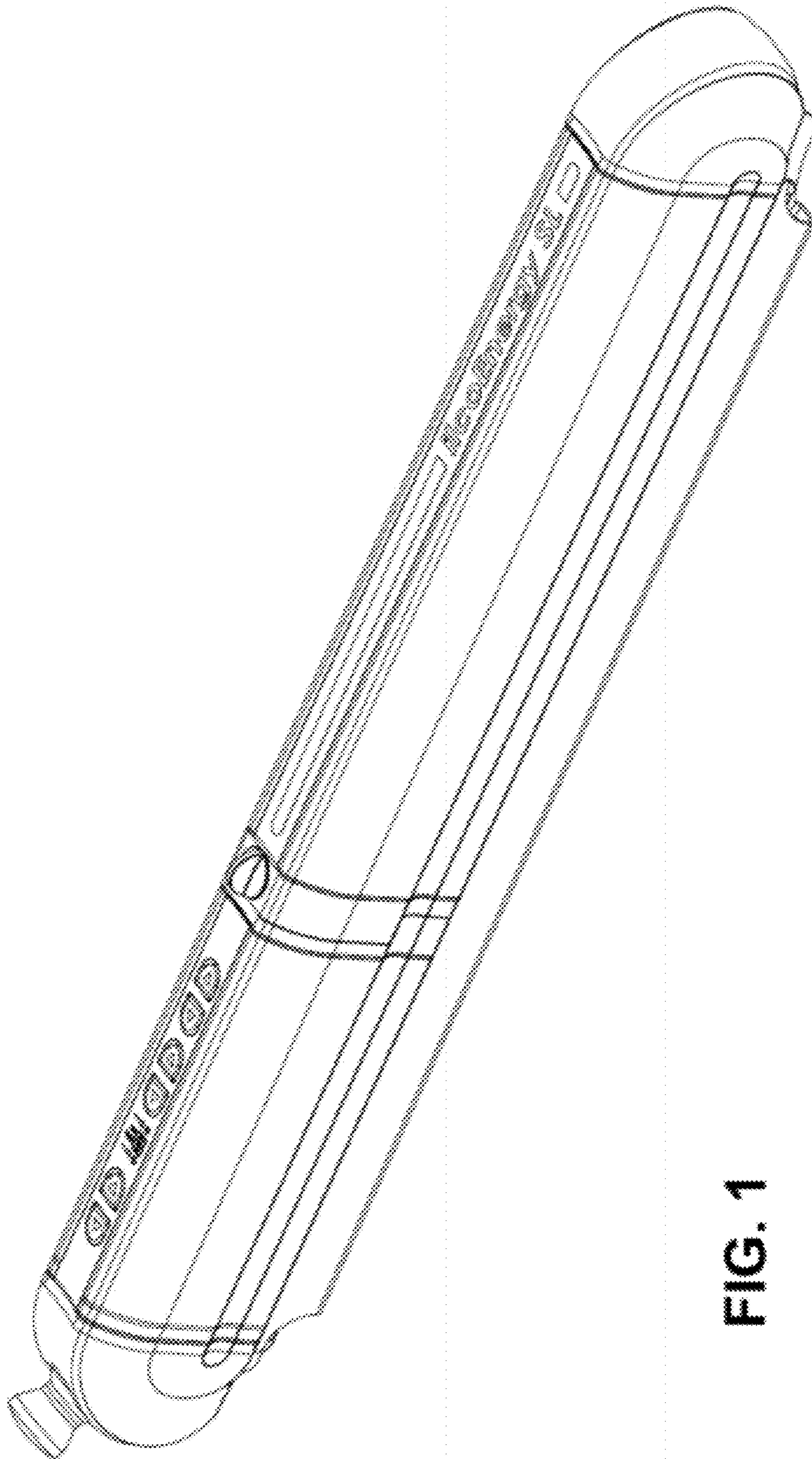


FIG. 1



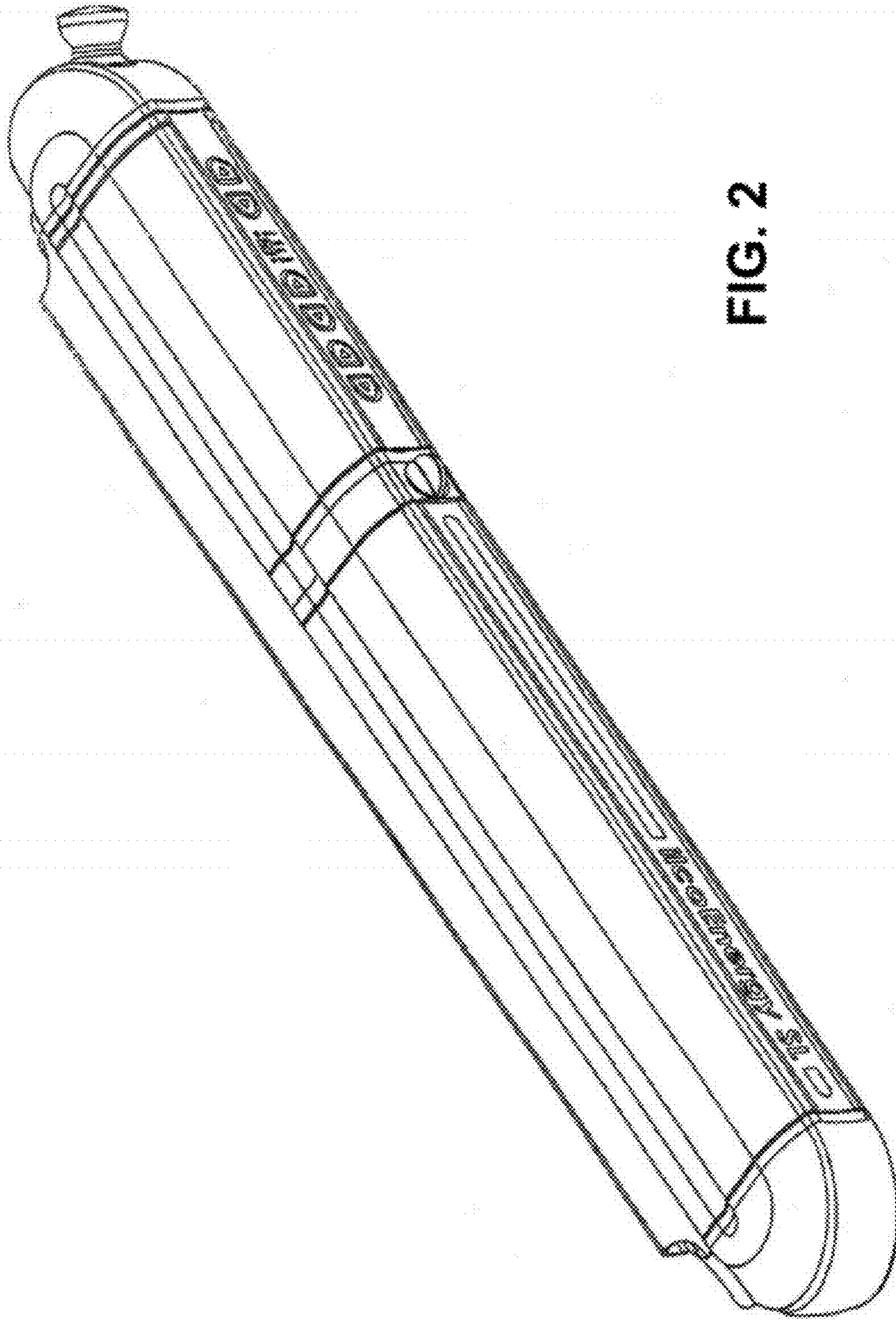


FIG. 2

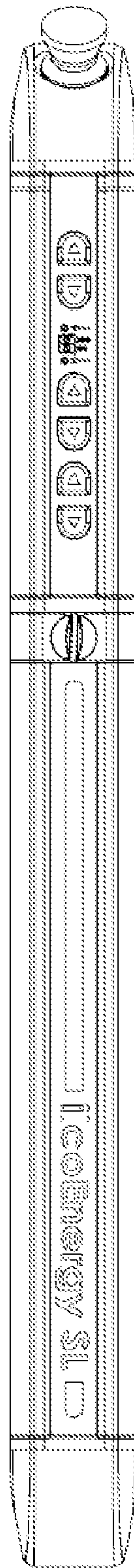


FIG. 3

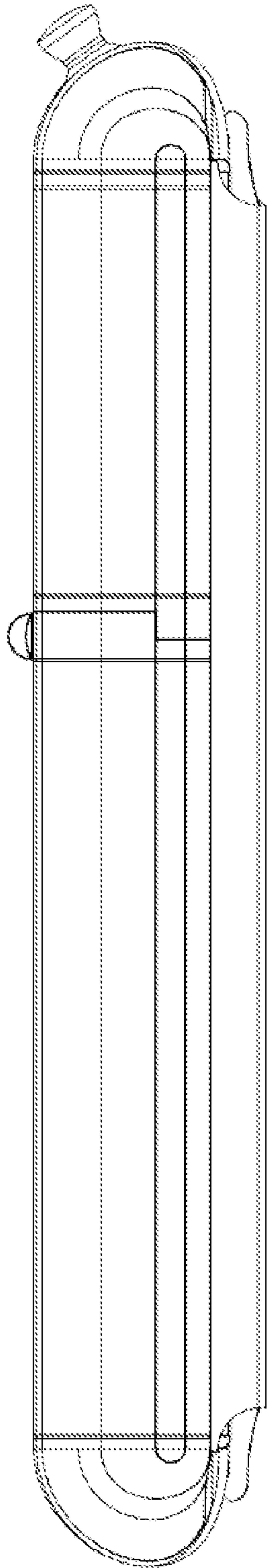


FIG. 4

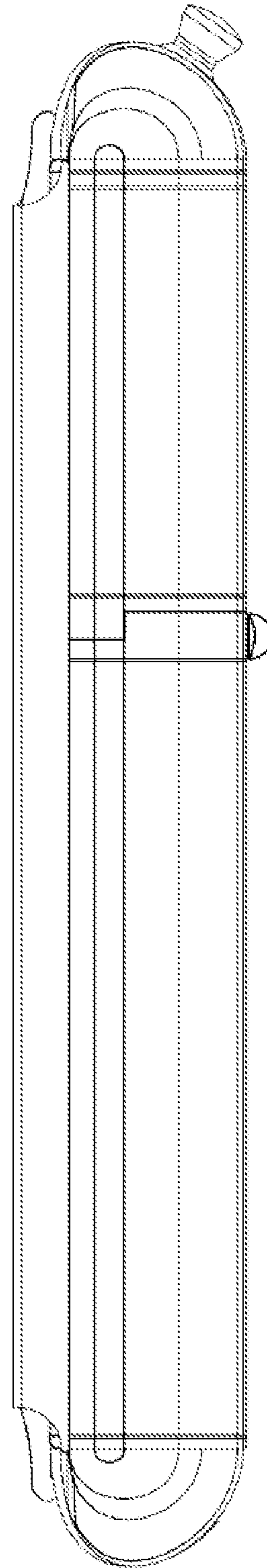
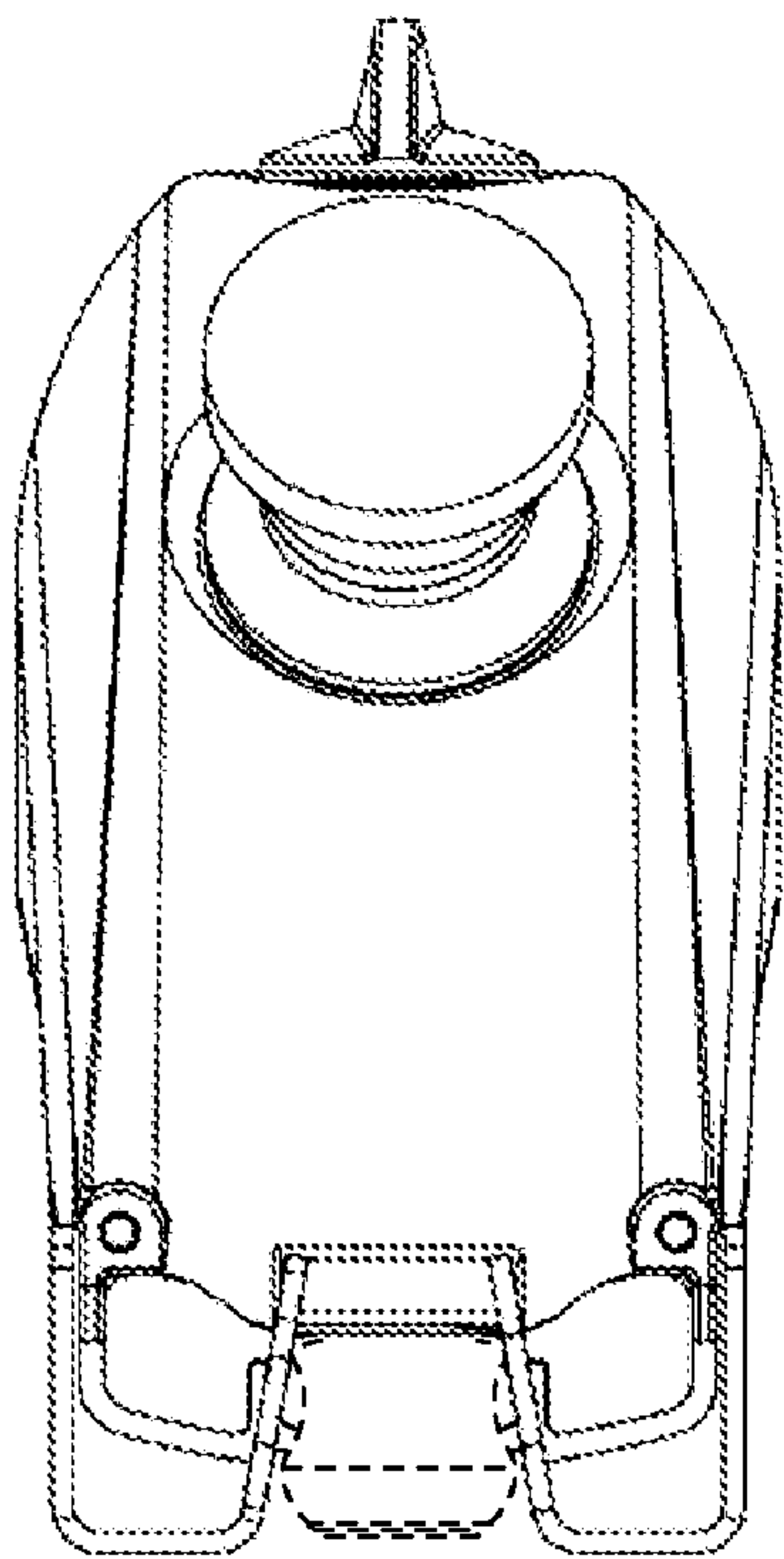
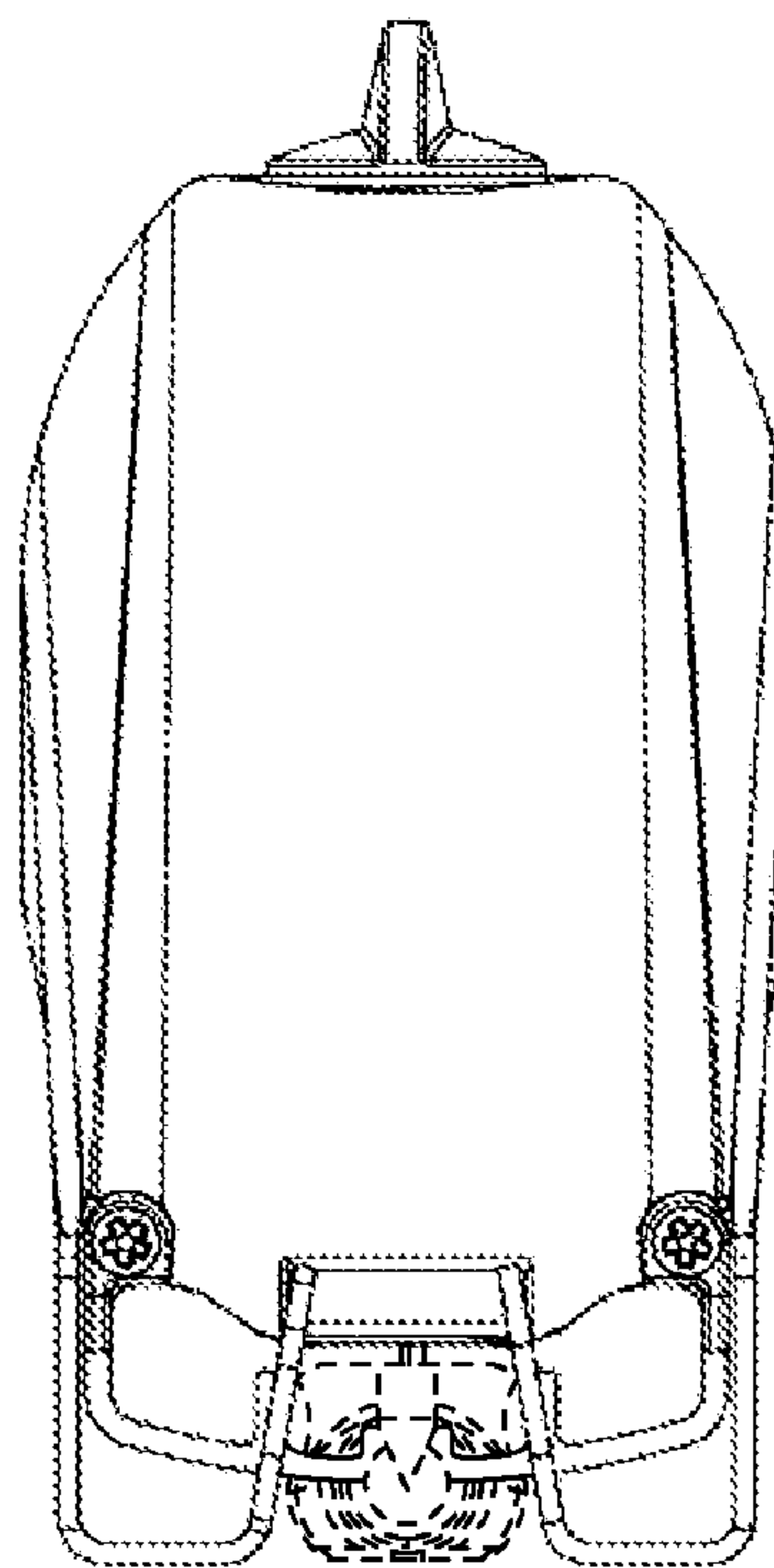


FIG. 5



**FIG. 6**



**FIG. 7**