



US00D668423S

(12) **United States Design Patent**  
**Brockington et al.**

(10) **Patent No.:** **US D668,423 S**

(45) **Date of Patent:** **\*\* Oct. 2, 2012**

(54) **STABILIZING JACK PAD**

(75) Inventors: **William T. Brockington**, Kernersville, NC (US); **Bruce A. Angel**, Stokesdale, NC (US)

(73) Assignee: **Camco Manufacturing, Inc.**, Greensboro, NC (US)

(\*\*) Term: **14 Years**

(21) Appl. No.: **29/395,770**

(22) Filed: **Mar. 28, 2012**

(51) **LOC (9) Cl.** ..... **12-05**

(52) **U.S. Cl.** ..... **D34/31; D12/203**

(58) **Field of Classification Search** ..... D34/38, D34/31; D9/456, 455; 108/51.3, 52.1, 53.1, 108/53.3, 53.5, 55.1, 57.3; 254/88, 94, DIG. 1; 248/346.02; D12/203, 217, 400  
See application file for complete search history.

(56) **References Cited**

**U.S. PATENT DOCUMENTS**

D241,729	S	*	10/1976	McCrokle	.....	D34/38
4,474,387	A	*	10/1984	Maranell et al.	.....	280/293
D357,650	S	*	4/1995	Evans et al.	.....	D12/106
5,458,315	A	*	10/1995	Blatz et al.	.....	254/88
D426,933	S	*	6/2000	Redfern	.....	D34/38
6,101,955	A	*	8/2000	Salce	.....	108/51.11
D432,284	S	*	10/2000	Lux, Jr.	.....	D34/38
D434,509	S	*	11/2000	Oliver et al.	.....	D25/199
D440,022	S	*	4/2001	Simpson et al.	.....	D34/31
6,769,367	B2	*	8/2004	Schutz	.....	108/51.11

6,910,668	B2	*	6/2005	Henning	.....	248/346.02
D508,300	S	*	8/2005	O'Dell et al.	.....	D34/38
D519,838	S	*	5/2006	Brooks	.....	D9/456
D531,378	S		10/2006	Angel et al.		
D577,648	S	*	9/2008	Shaw	.....	D12/203
D652,952	S	*	1/2012	Angel	.....	D25/113

**OTHER PUBLICATIONS**

Ref. No. 1, Ramble Jack Pads from Camping World website (www.campingworld.com), Feb. 28, 2012, 1 Page.

Ref. No. 2, RV Stabilizer Jack Pad from Amazon.com website (www.amazon.com) Feb. 28, 2012, 1 Page.

Ref. No. 3, Jack Pad 55 Ton Capacity from Gempler's website (www.gemplers.com) Feb. 28, 2012, 1 Page.

\* cited by examiner

*Primary Examiner* — Cynthia Ramirez

(57) **CLAIM**

The ornamental design for a stabilizing jack pad, as shown and described.

**DESCRIPTION**

FIG. 1 is a front, top right perspective view of a stabilizing jack pad according to the invention;

FIG. 2 is a front elevational view with the rear elevational view being a mirror image thereof;

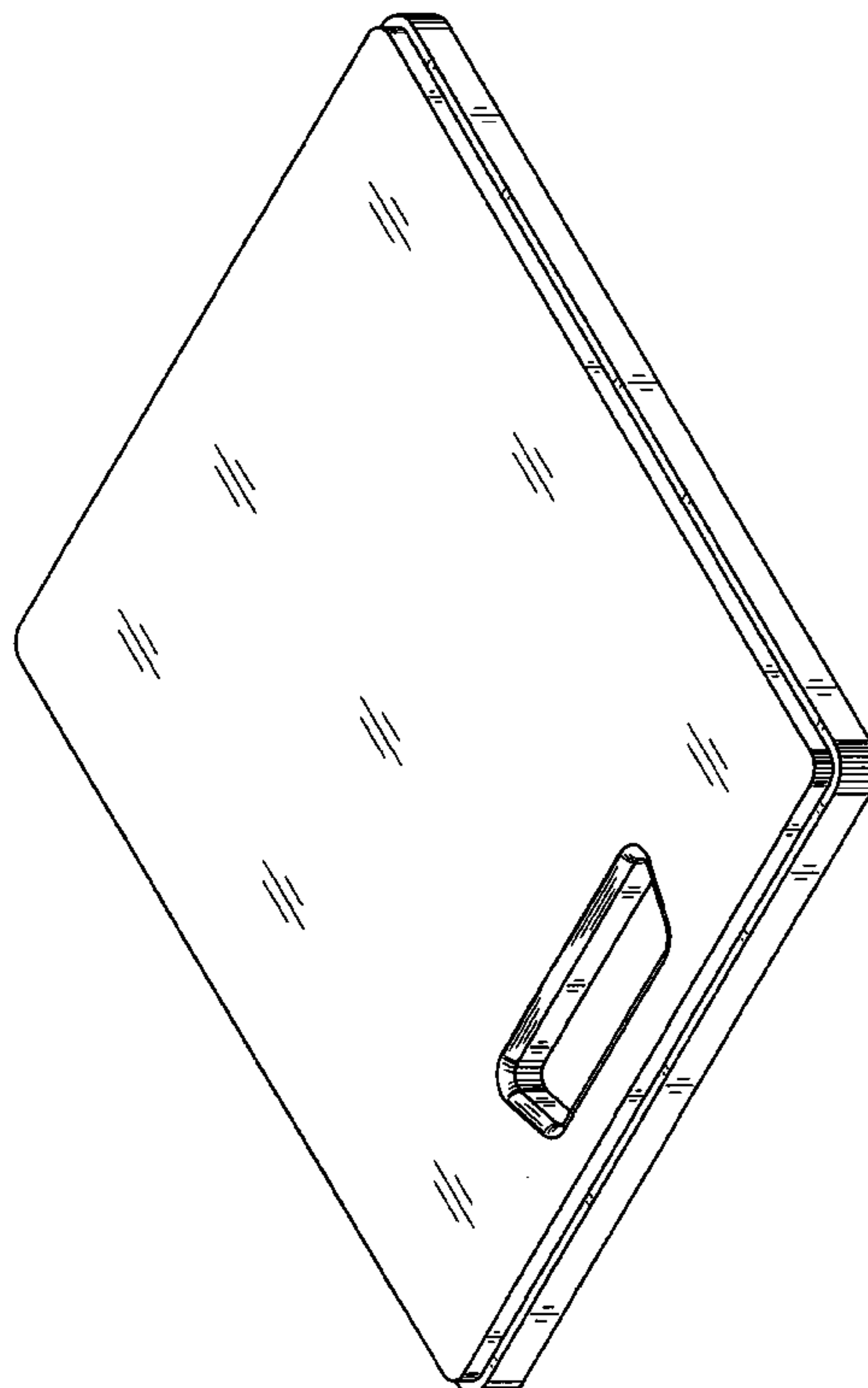
FIG. 3 is a left elevational view with the right elevational view being a mirror image thereof;

FIG. 4 is a top plan view thereof;

FIG. 5 is a bottom plan view thereof; and,

FIG. 6 is a front, bottom left perspective view thereof.

**1 Claim, 5 Drawing Sheets**



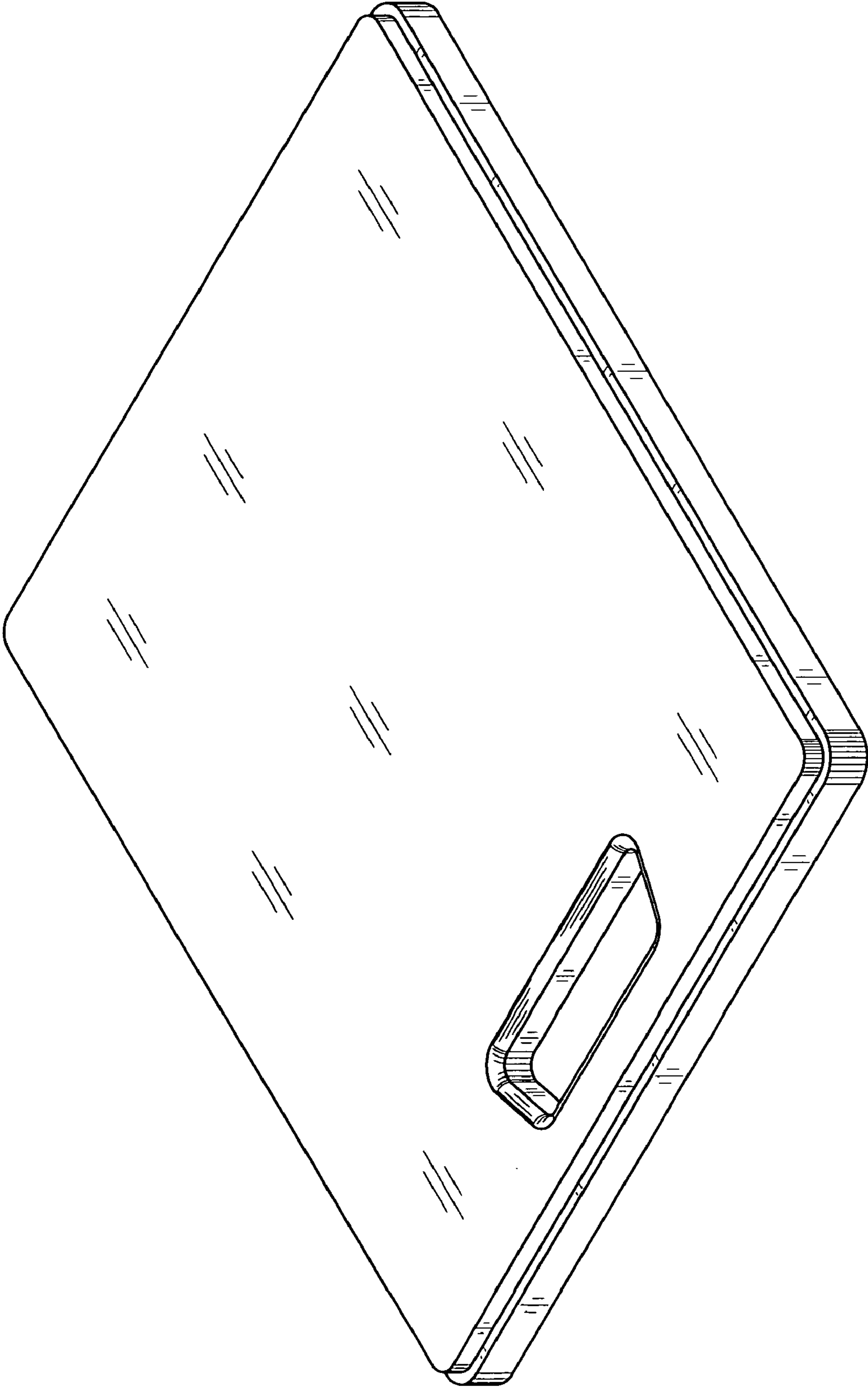


Fig. 1

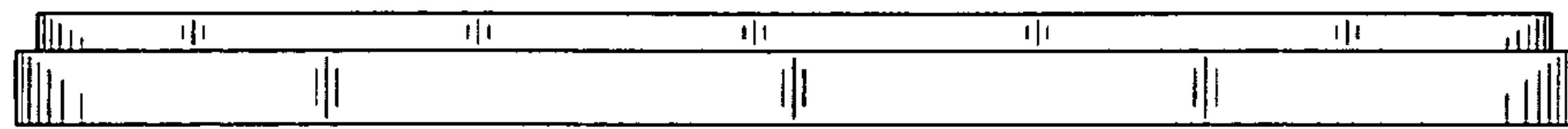


Fig. 2

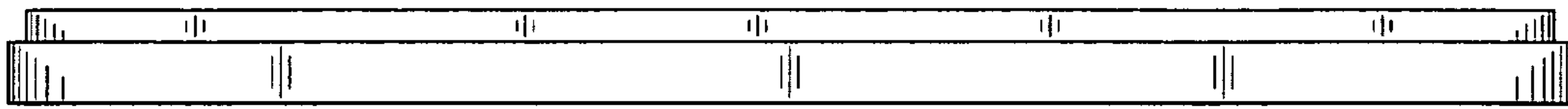


Fig. 3

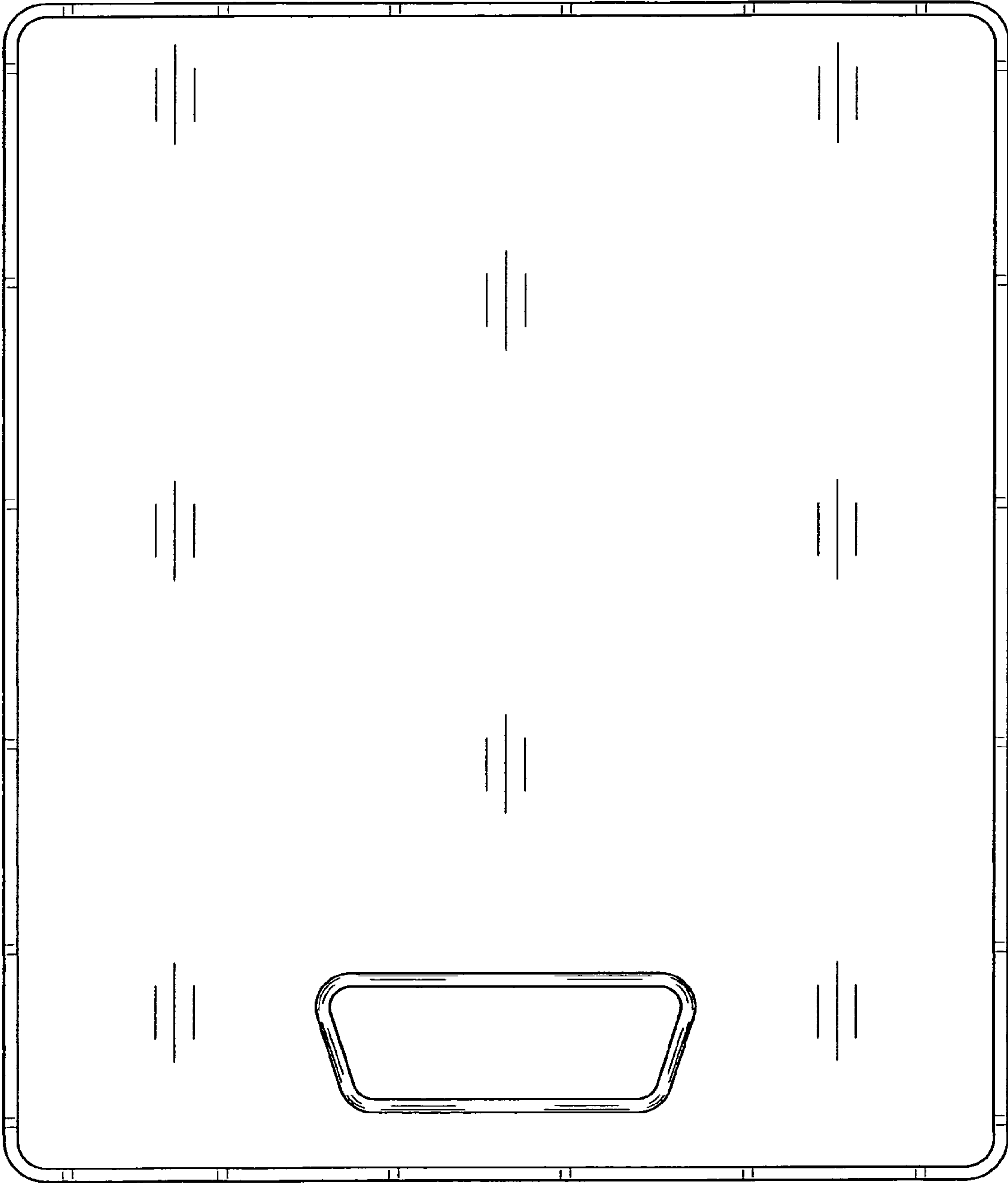


Fig. 4

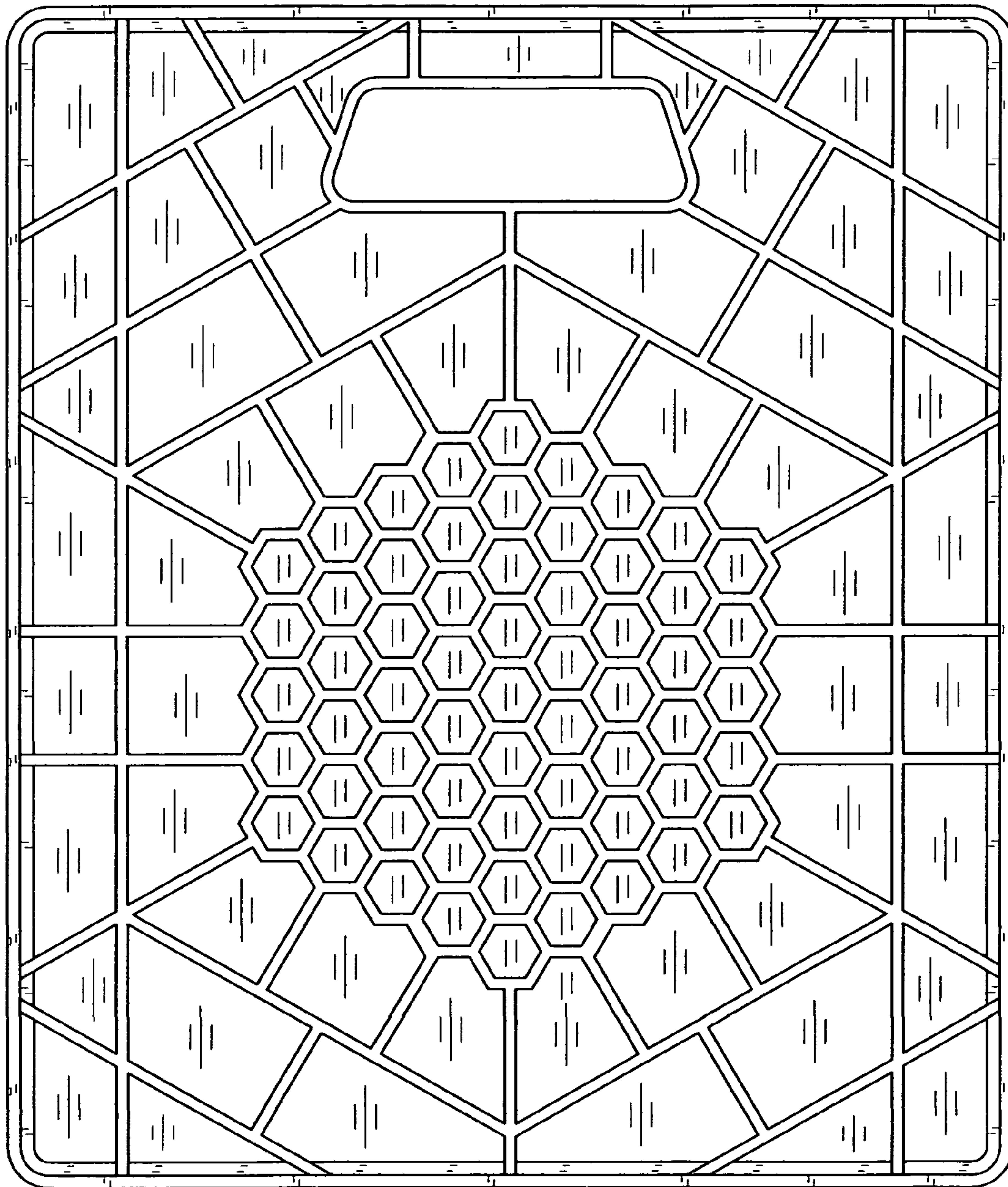


Fig. 5



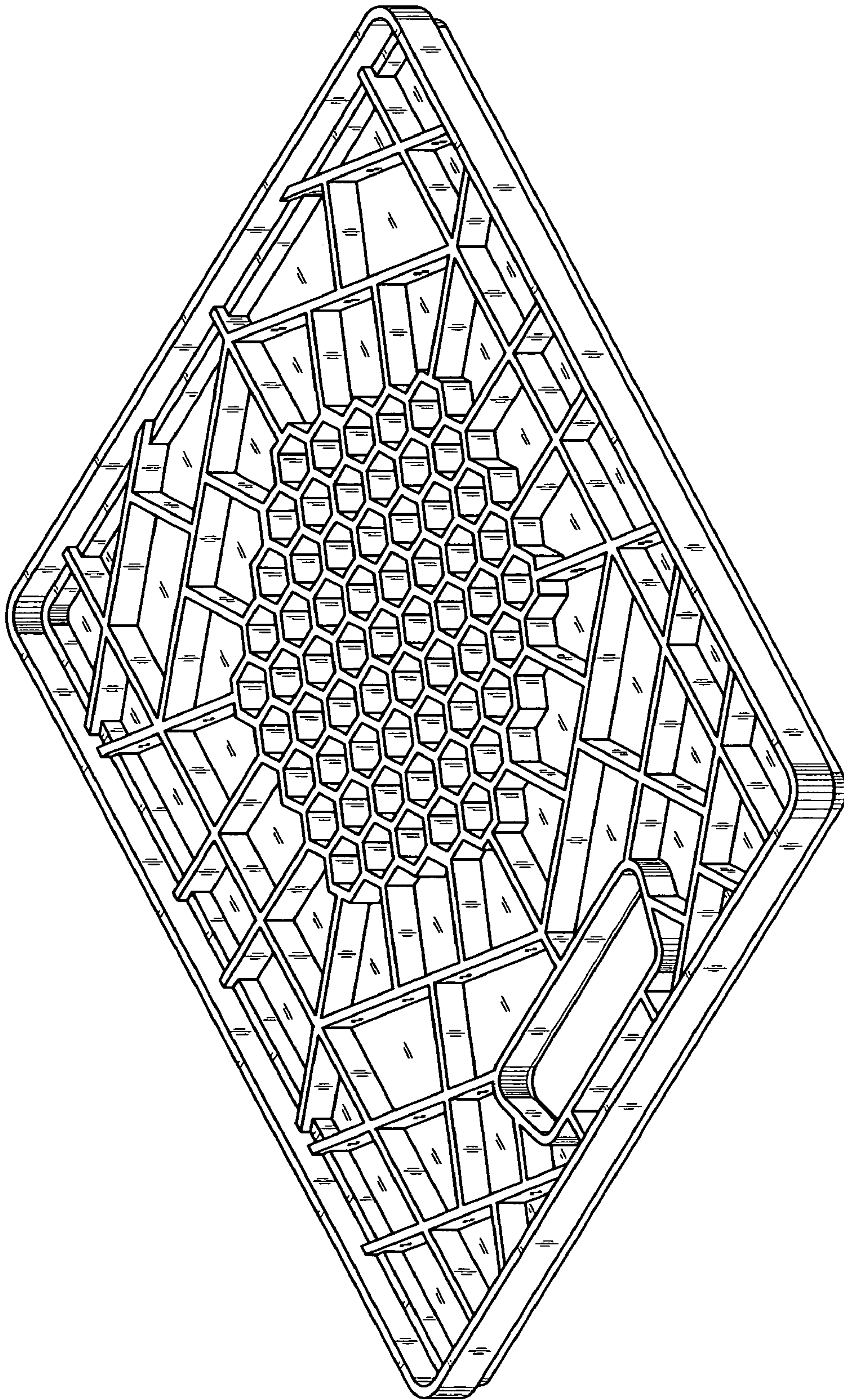


Fig. 6