



US00D668422S

(12) **United States Design Patent**
Uttech et al.

(10) **Patent No.:** **US D668,422 S**
(45) **Date of Patent:** **** Oct. 2, 2012**

(54) **PLATFORM LIFT TRAILER**

(75) Inventors: **Scott K. Uttech**, New Berlin, WI (US);
William W. Belson, III, Hartland, WI
(US); **Andrew A. Bayer**, Oconomowoc,
WI (US); **Timothy G. Schwarz**,
Delafield, WI (US)

(73) Assignee: **Bruno Independent Living Aids, Inc.**,
Oconomowoc, WI (US)

(**) Term: **14 Years**

(21) Appl. No.: **29/389,594**

(22) Filed: **Apr. 13, 2011**

(51) **LOC (9) Cl.** **12-05**

(52) **U.S. Cl.** **D34/28**

(58) **Field of Classification Search** D34/28,
D34/32, 33, 35; 187/250; 414/540, 546,
414/550, 47, 545, 495

See application file for complete search history.

(56) **References Cited**

U.S. PATENT DOCUMENTS

3,993,207 A * 11/1976 Jones 414/495
4,010,826 A * 3/1977 Jones 414/495

(Continued)

FOREIGN PATENT DOCUMENTS

KR 10-2009-0018244 A 2/2009

OTHER PUBLICATIONS

Notification of Transmittal of the International Search Report and the
Written Opinion of the International Searching Authority for Inter-
national Application No. PCT/US2011/032352; KIPO mailing date
Dec. 27, 2011 (2 pgs).

(Continued)

Primary Examiner — Cynthia Ramirez

(74) *Attorney, Agent, or Firm* — Sylke Law Offices, LLC; C.
Thomas Sylke

(57) **CLAIM**

The ornamental design for a platform lift trailer, as shown and
described.

DESCRIPTION

FIG. 1 is a perspective view of a platform lift trailer according
to the present invention;

FIG. 2 is a perspective view of the platform lift trailer of FIG.
1 with the lift platform in a raised, open position;

FIG. 3 is a perspective view of the platform lift trailer of FIG.
1;

FIG. 4 is a perspective view of the platform lift trailer of FIG.
1;

FIG. 5 is a front elevation view of the platform lift trailer of
FIG. 1;

FIG. 6 is a rear elevation view of the platform lift trailer of
FIG. 1;

FIG. 7 is a left side elevation view of the platform lift trailer of
FIG. 1;

FIG. 8 is a right side elevation view of the platform lift trailer
of FIG. 1;

FIG. 9 is a top plan view of the platform lift trailer of FIG. 1;

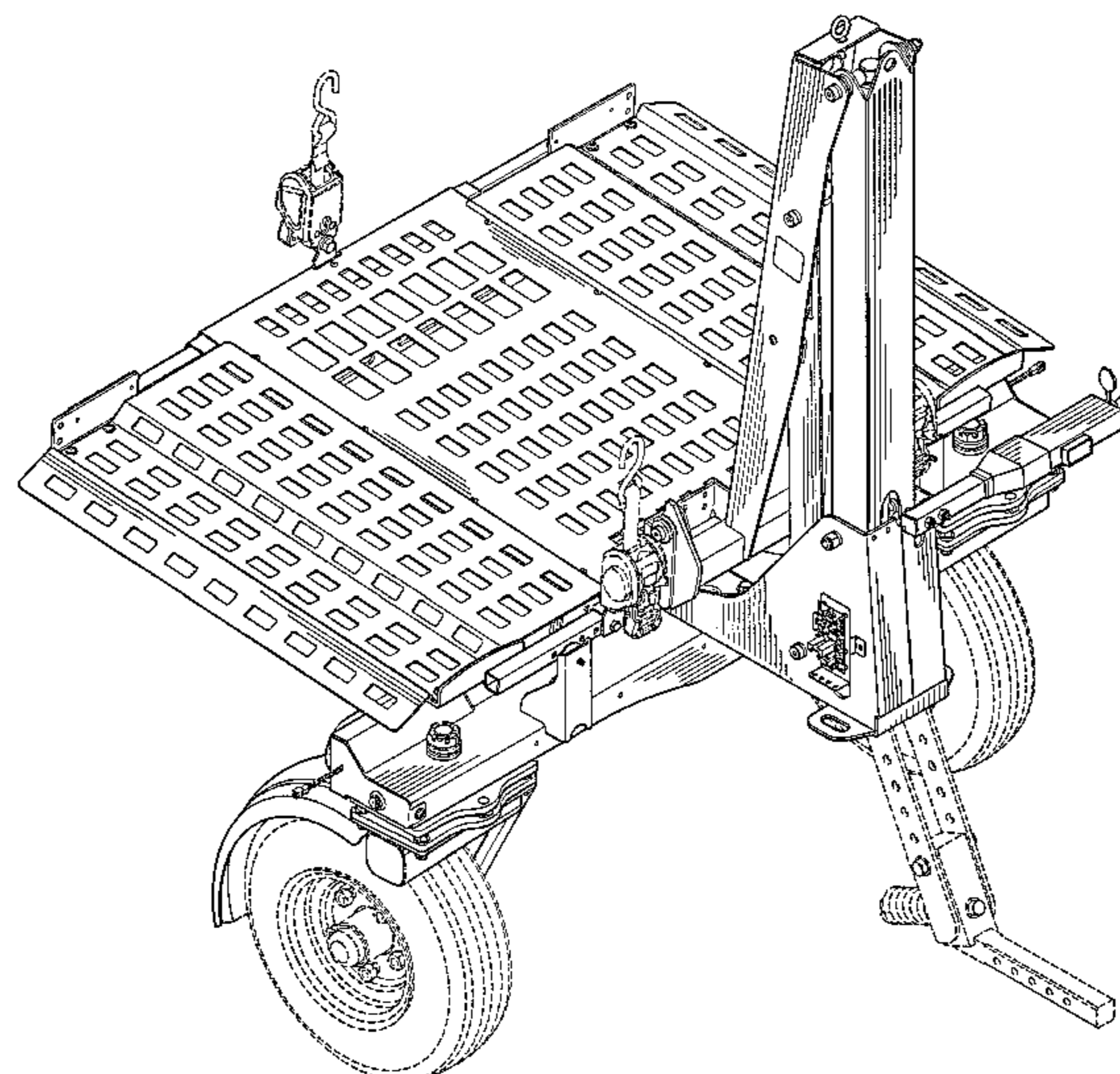
FIG. 10 is a bottom plan view of the platform lift trailer of
FIG. 1;

FIG. 11 is a perspective view of the platform lift trailer of FIG.
1 with the lift platform in a raised, folded position; and,

FIG. 12 is a perspective view of the platform lift trailer of FIG.
1 with the lift platform in a lowered, open position.

The broken line shown in the figures is included for the
purpose of illustrating elements of the platform lift trailer and
forms no part of the claimed design.

1 Claim, 12 Drawing Sheets



US D668,422 S

Page 2

U.S. PATENT DOCUMENTS

5,846,120 A 12/1998 Barton, Jr.
5,947,385 A 9/1999 Lanerd et al.
6,033,177 A 3/2000 Kooima
6,203,266 B1 * 3/2001 Savaria et al. 414/546
D477,797 S 7/2003 McCoy et al.
6,585,474 B1 * 7/2003 Kameda 414/546
6,648,579 B2 * 11/2003 Vartanian, Sr. 414/546
6,655,895 B1 * 12/2003 Dahl 414/462
6,817,677 B1 11/2004 Beiler
D523,779 S 6/2006 Mattila
D578,041 S 10/2008 Prusmack
D619,324 S * 7/2010 DiGiovanni et al. D34/28
D653,833 S * 2/2012 Thompson et al. D34/28

2006/0210381 A1 9/2006 Pollnow et al.
2008/0211289 A1 9/2008 Beiler et al.
2009/0194968 A1 8/2009 Ardagna
2009/0278329 A1 11/2009 VanDenberg et al.
2009/0309331 A1 * 12/2009 Ryan 280/462

OTHER PUBLICATIONS

International Search Report, International Application No. PCT/
US2011/032352; KIPO mailing date Dec. 27, 2011 (5 pgs).
Written Opinion of the International Searching Authority, Interna-
tional Application No. PCT/US2011/032352; KIPO mailing date
Dec. 27, 2011 (8 pgs).

* cited by examiner

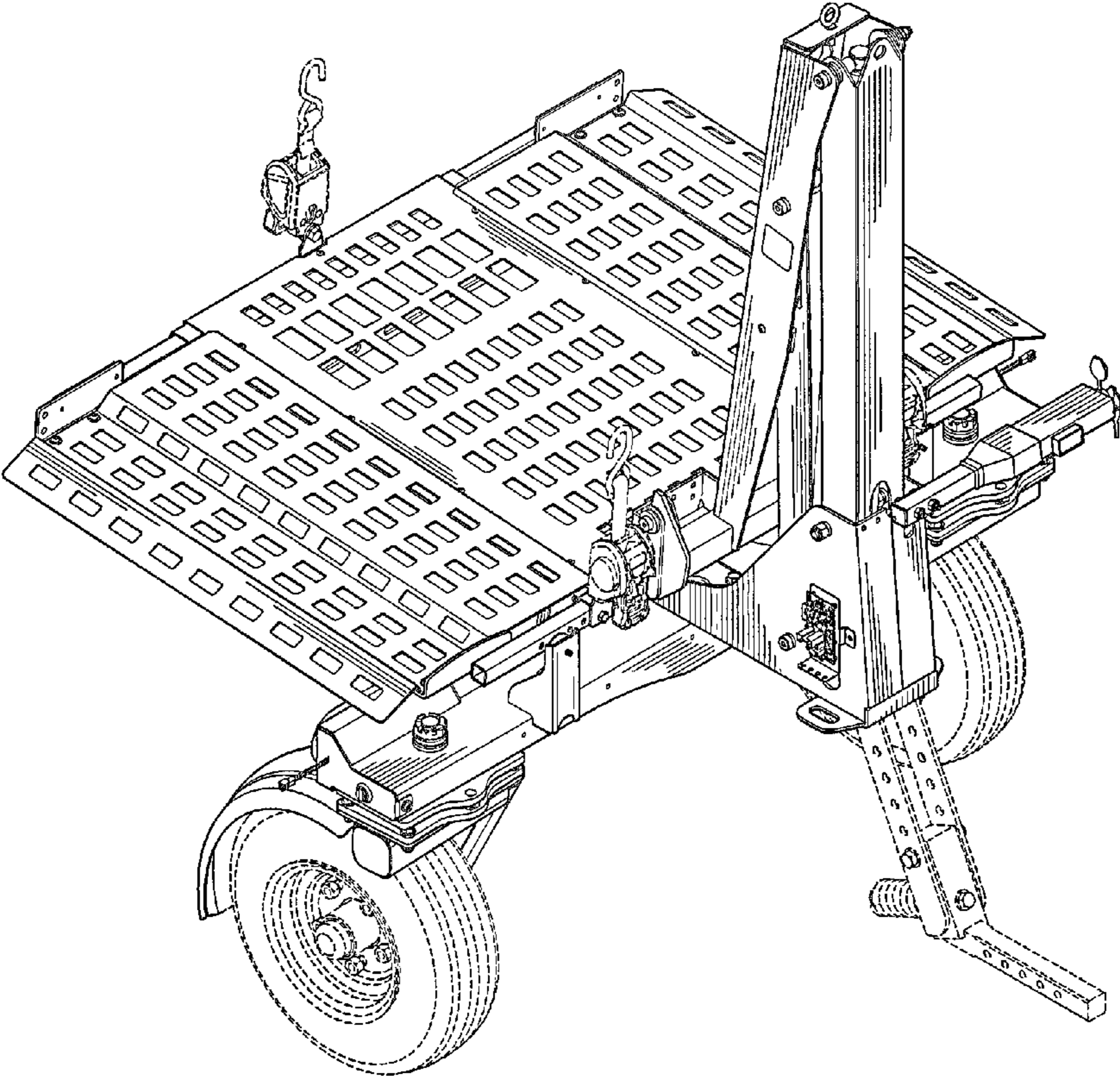


FIG. 1

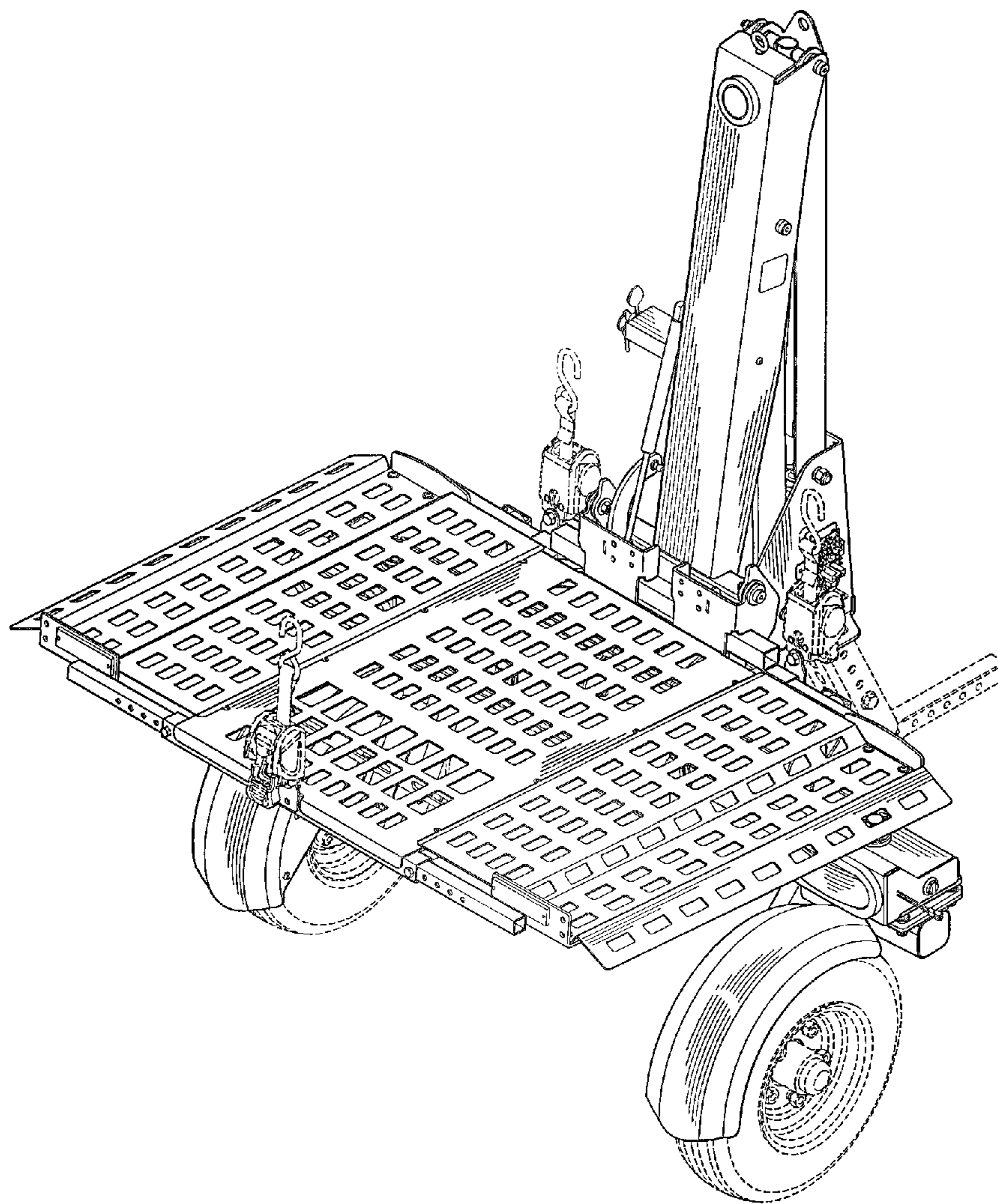


FIG. 2

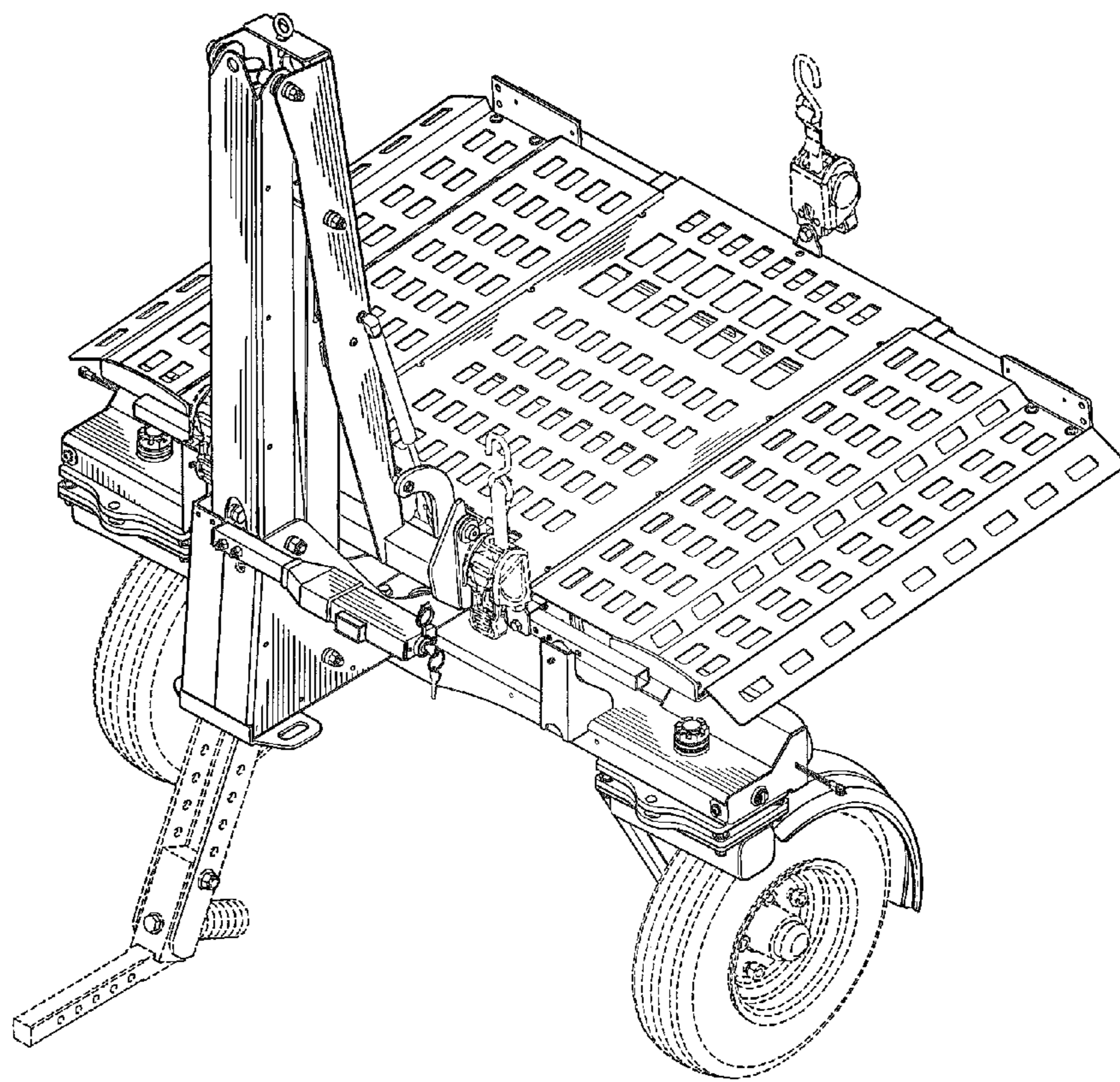


FIG. 3

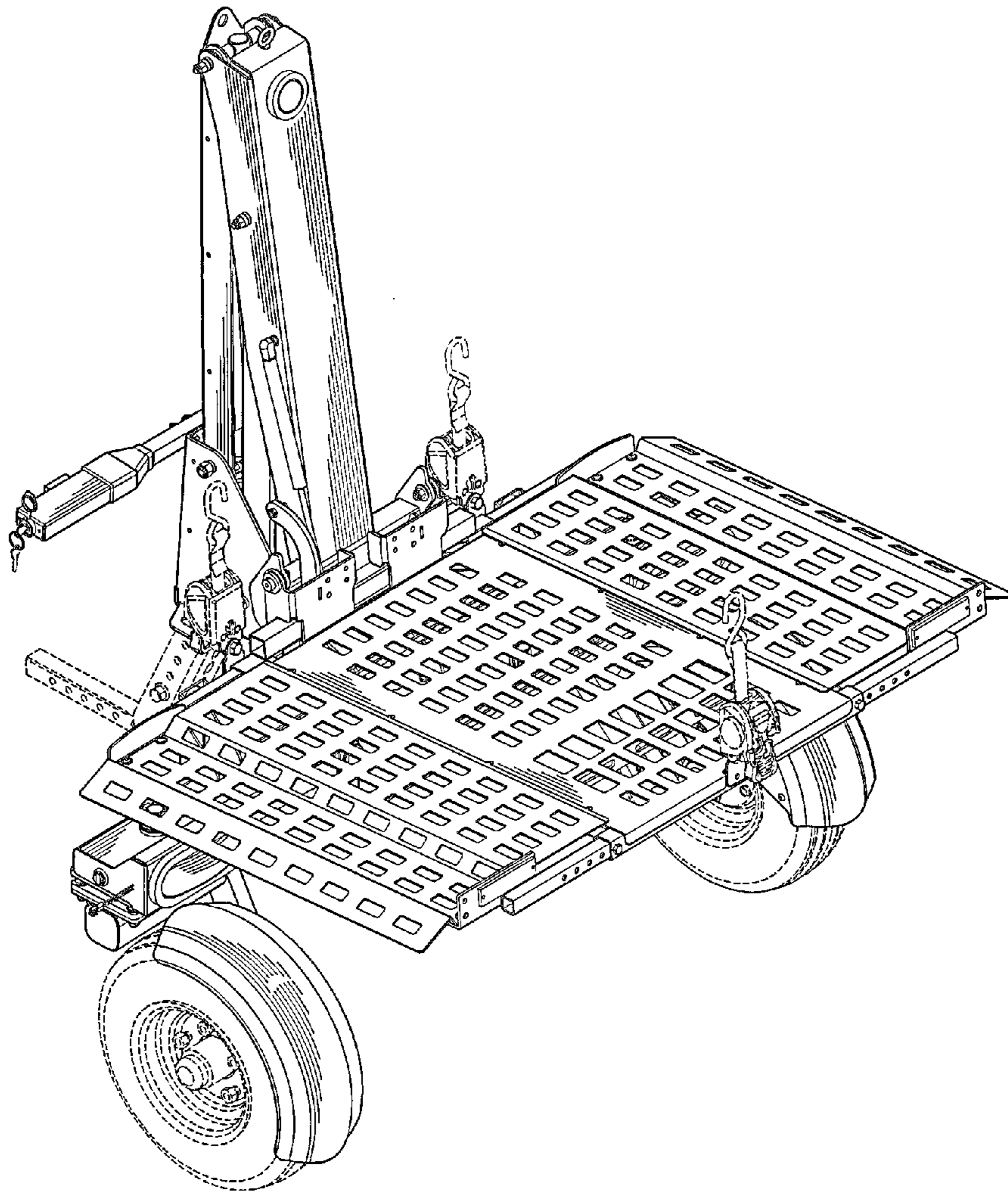


FIG. 4

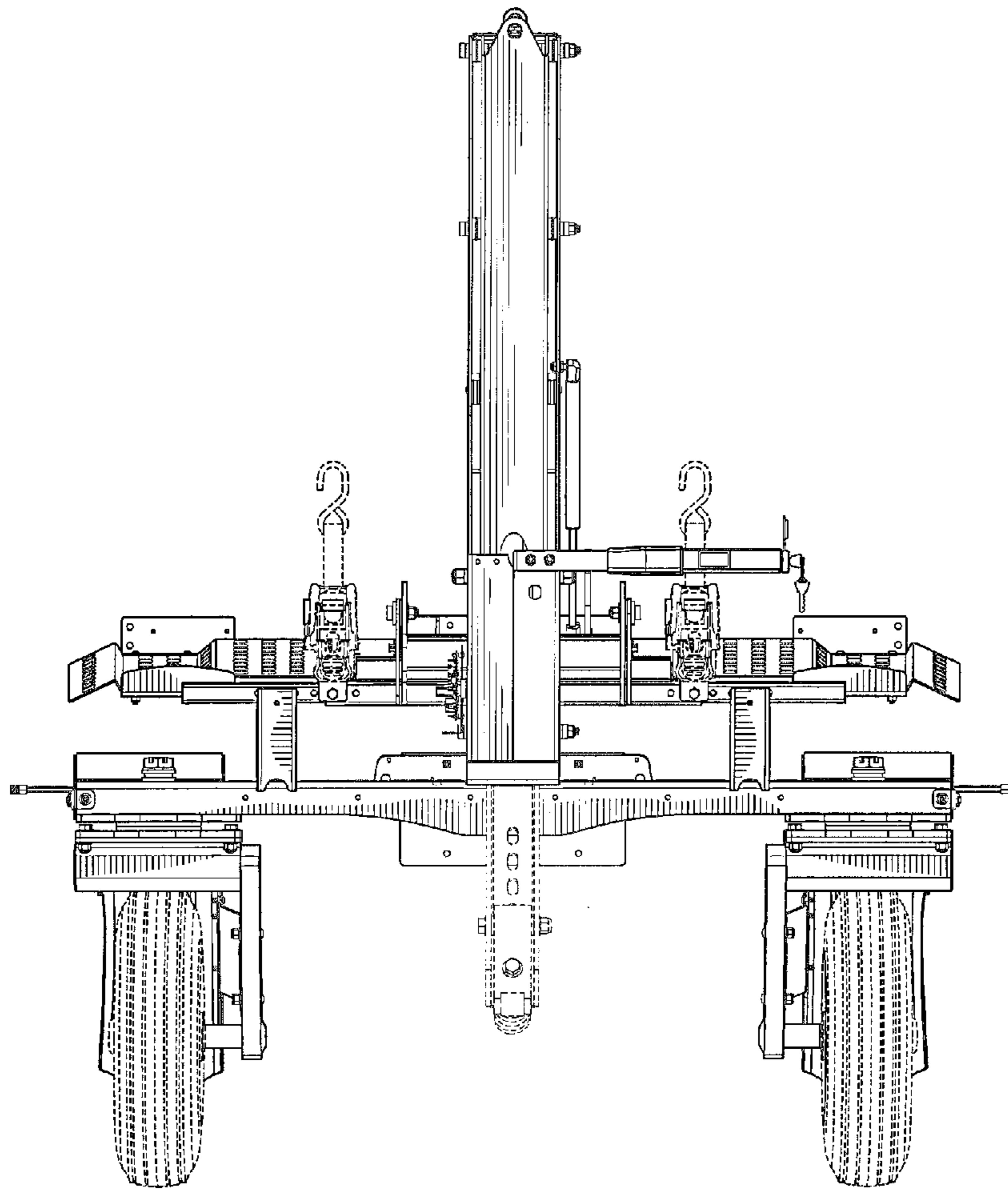


FIG. 5

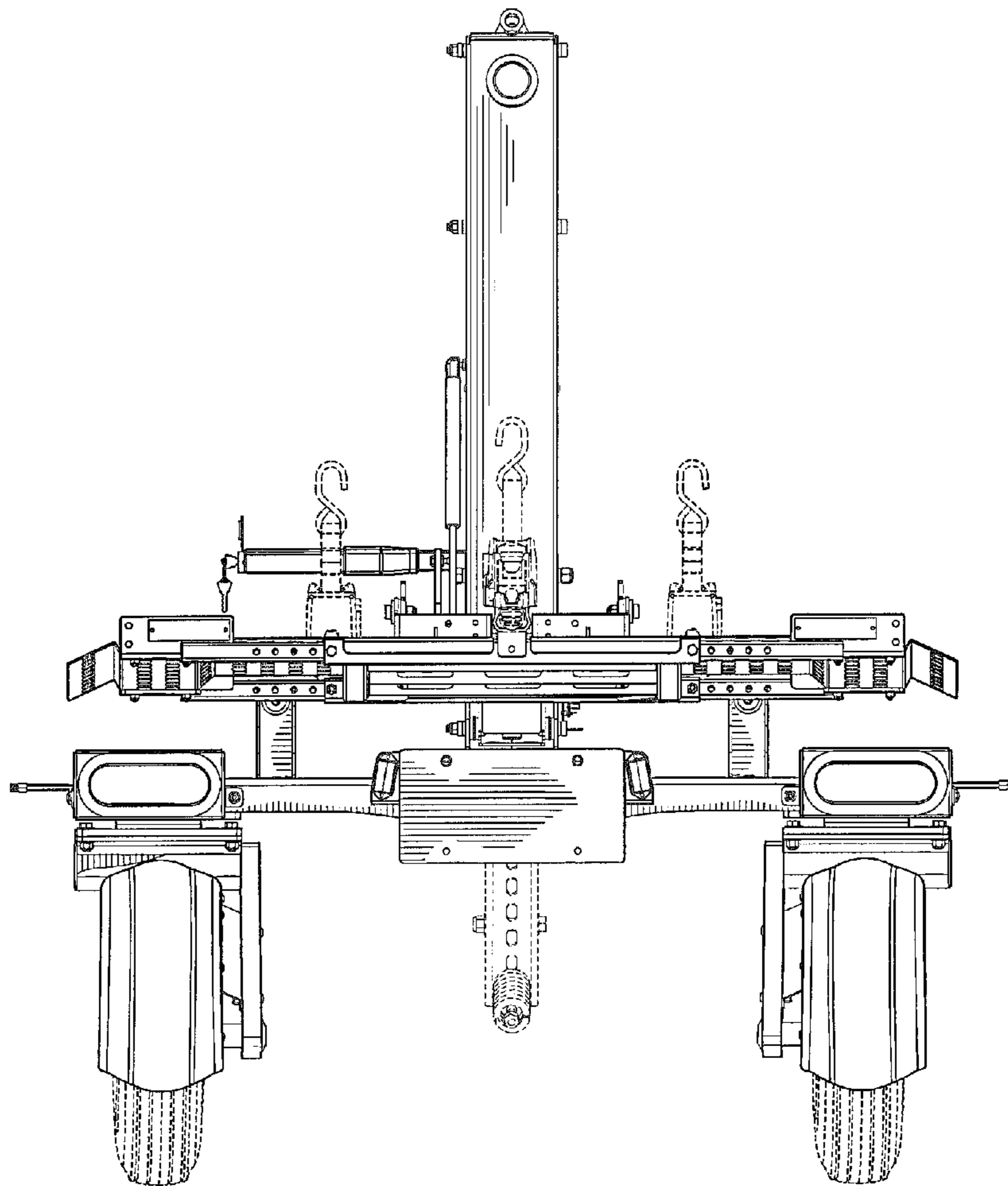


FIG. 6

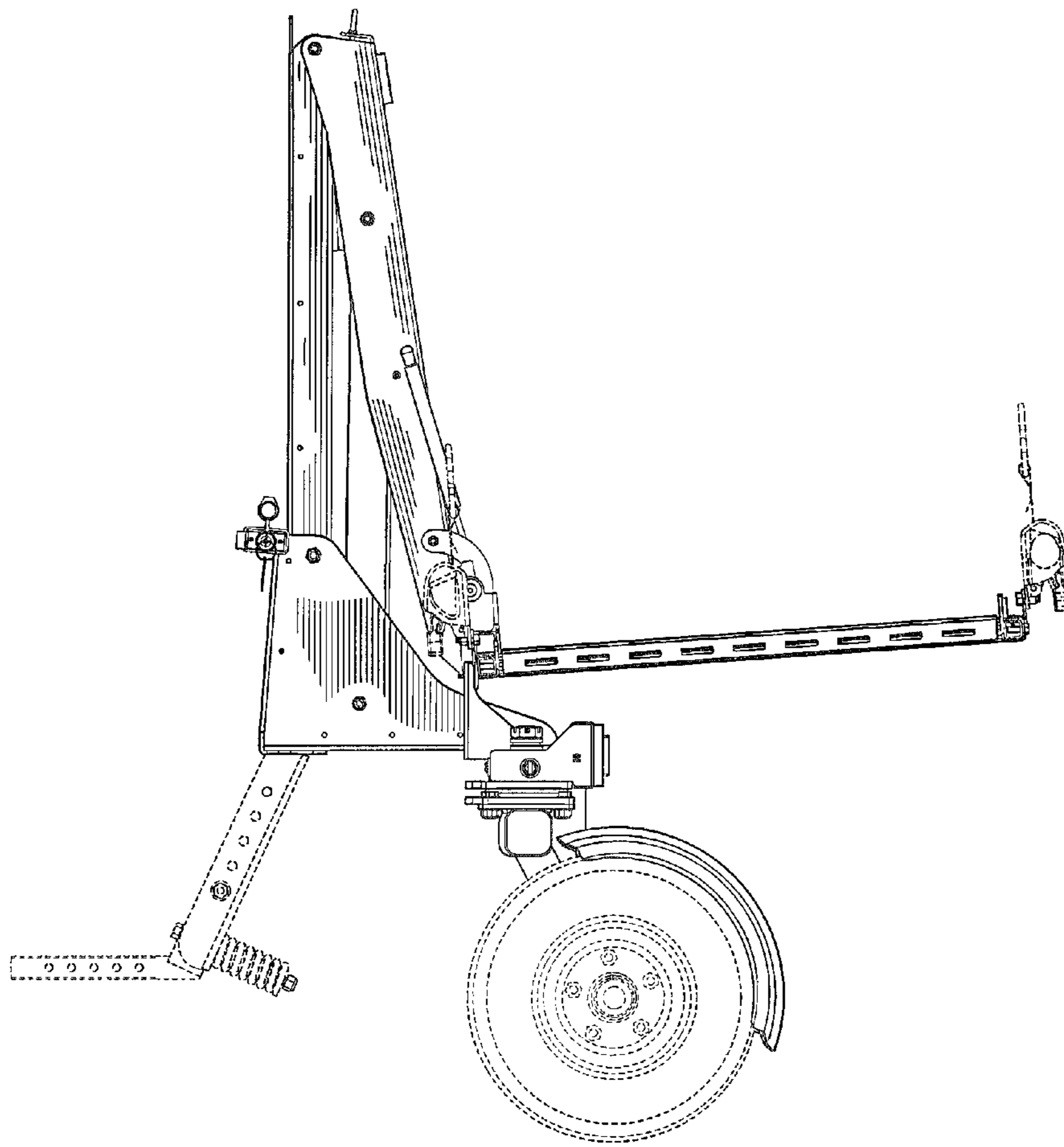


FIG. 7

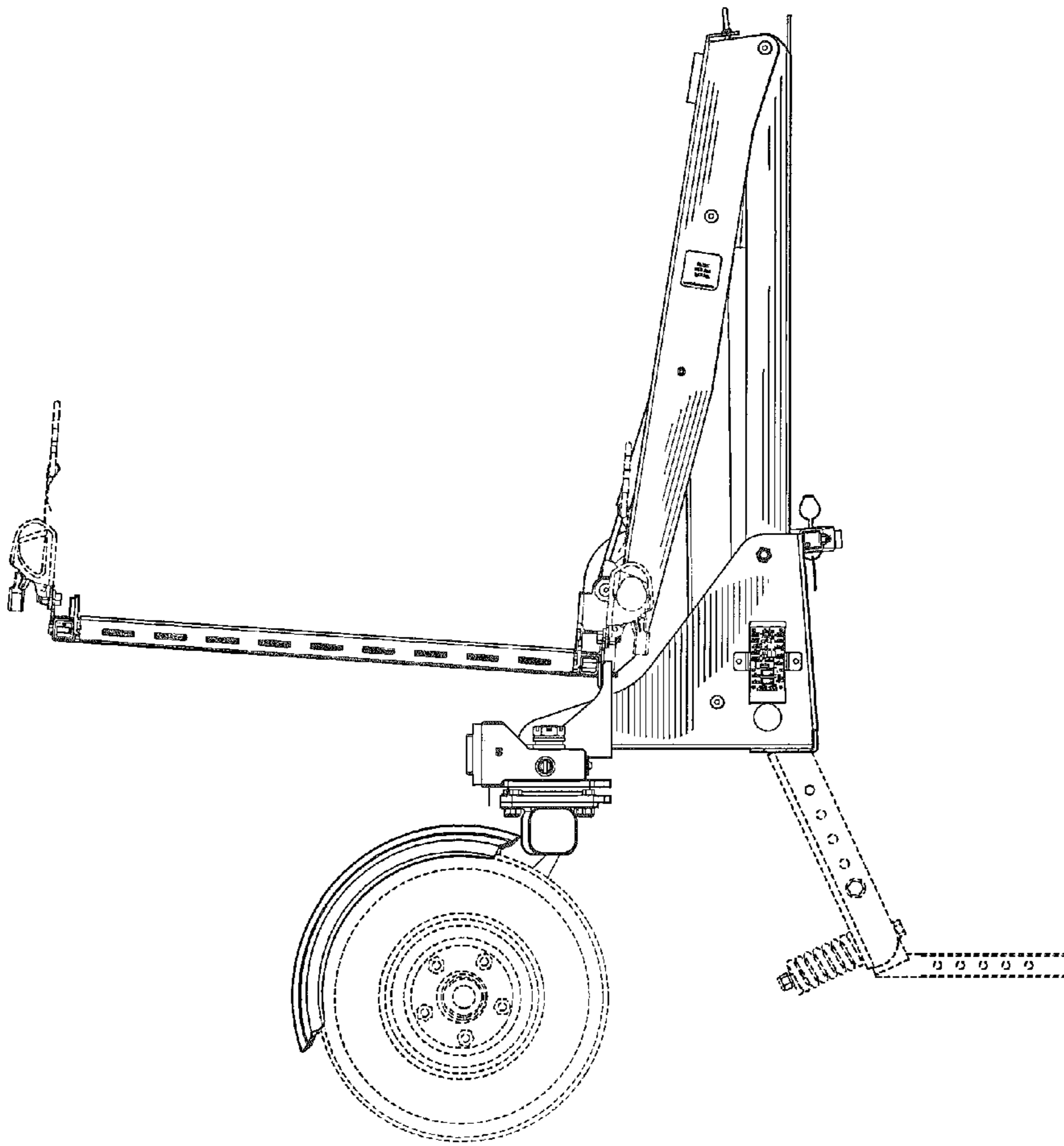


FIG. 8

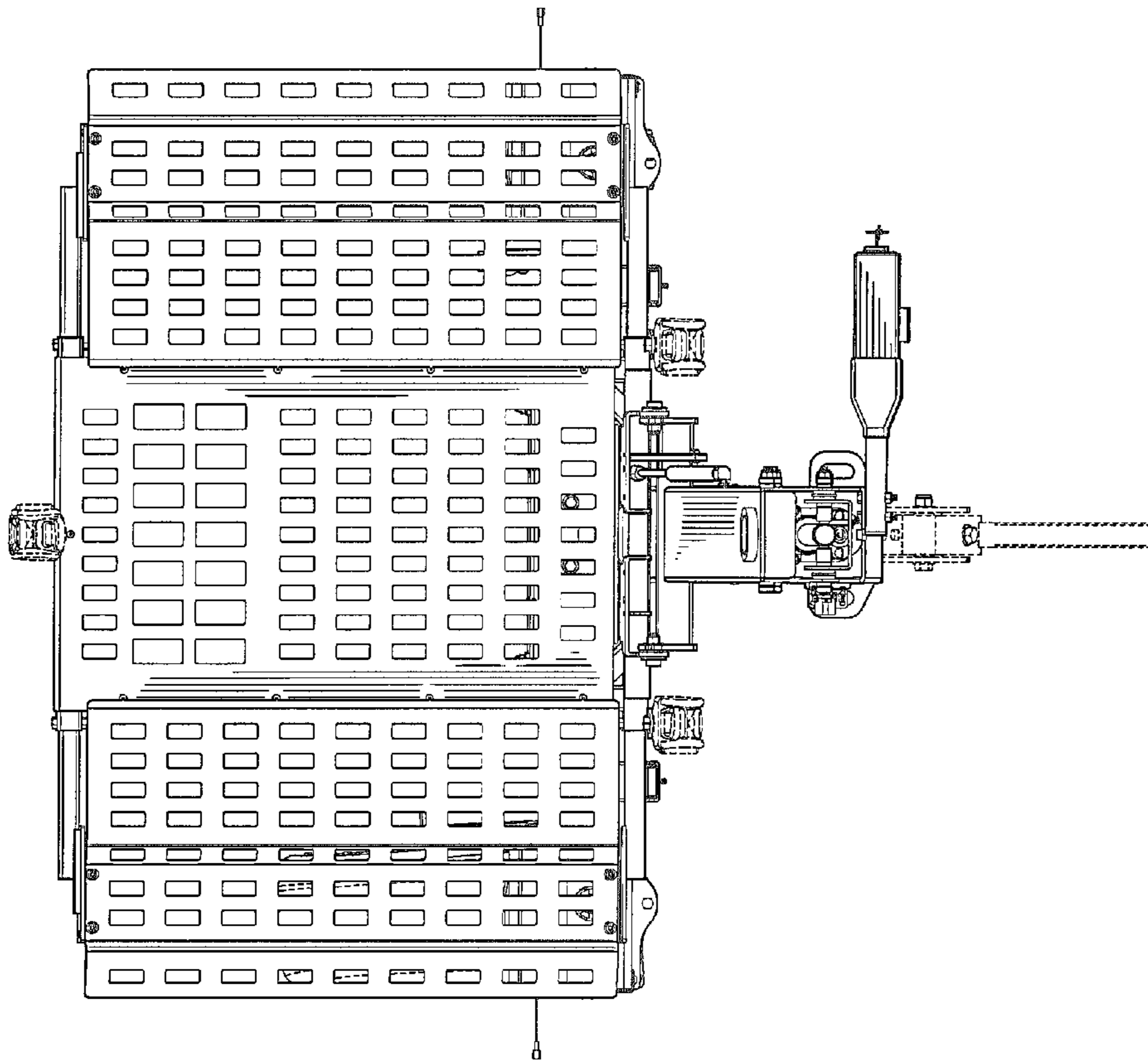


FIG. 9

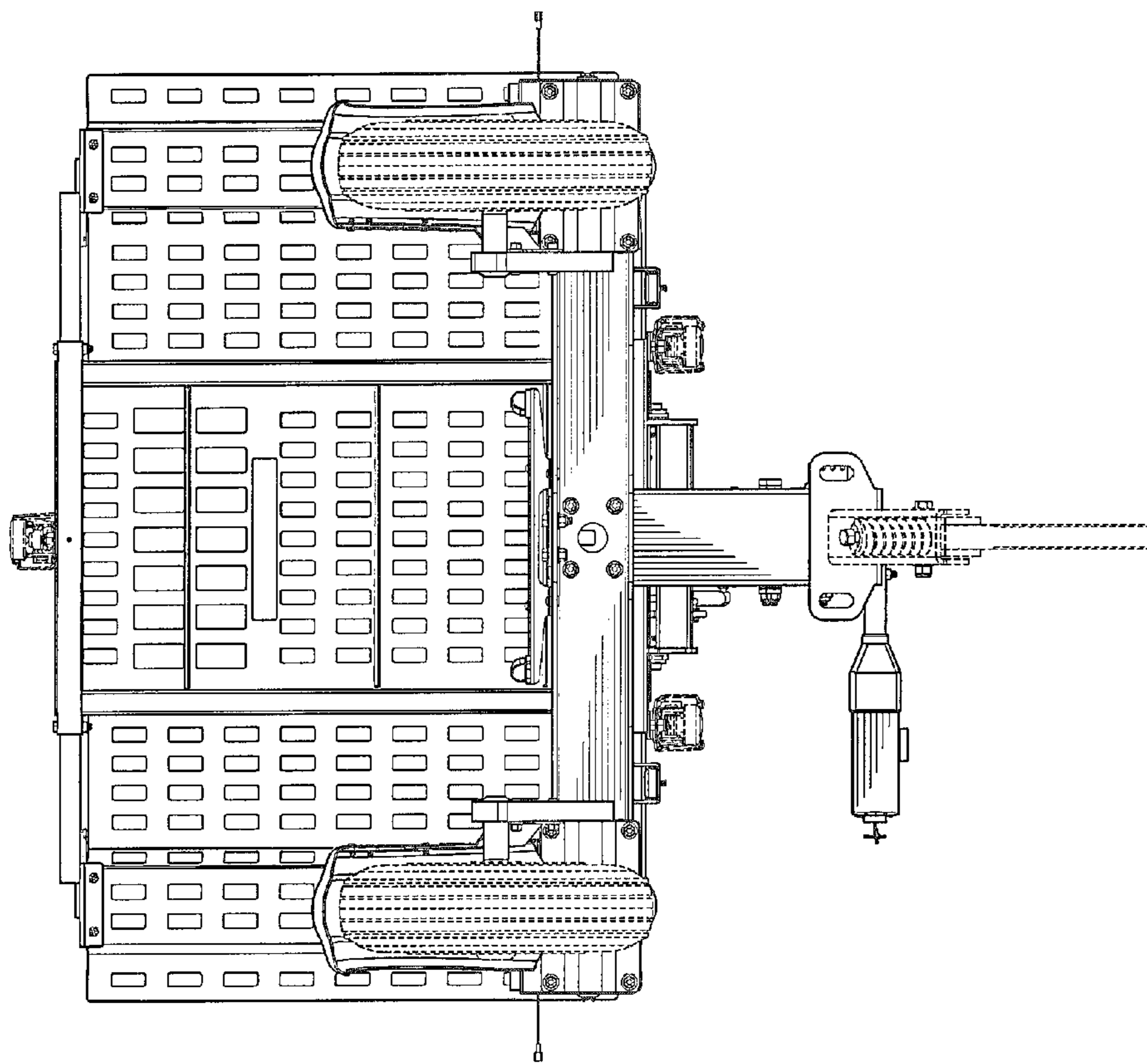


FIG. 10

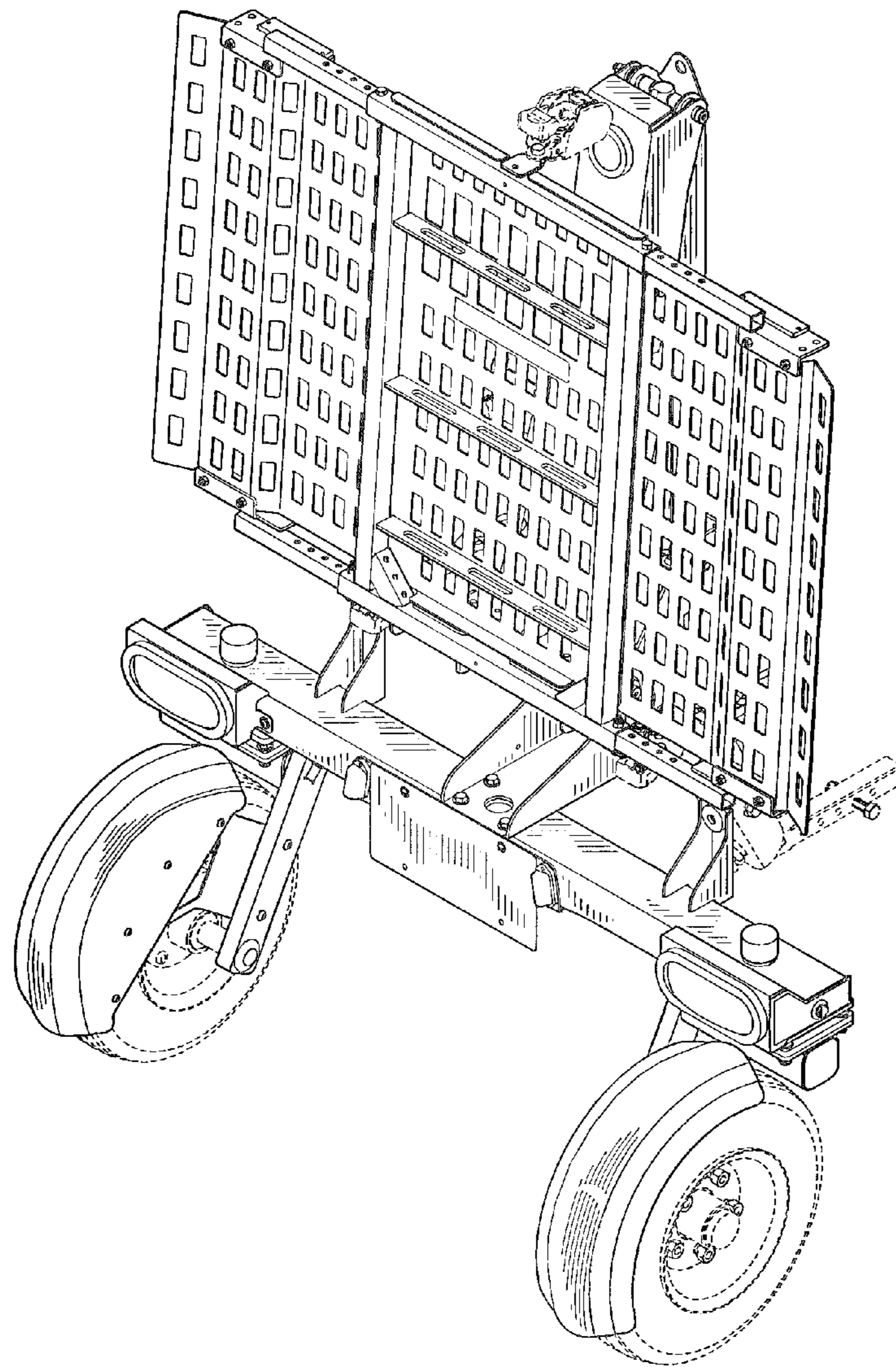


FIG. 11

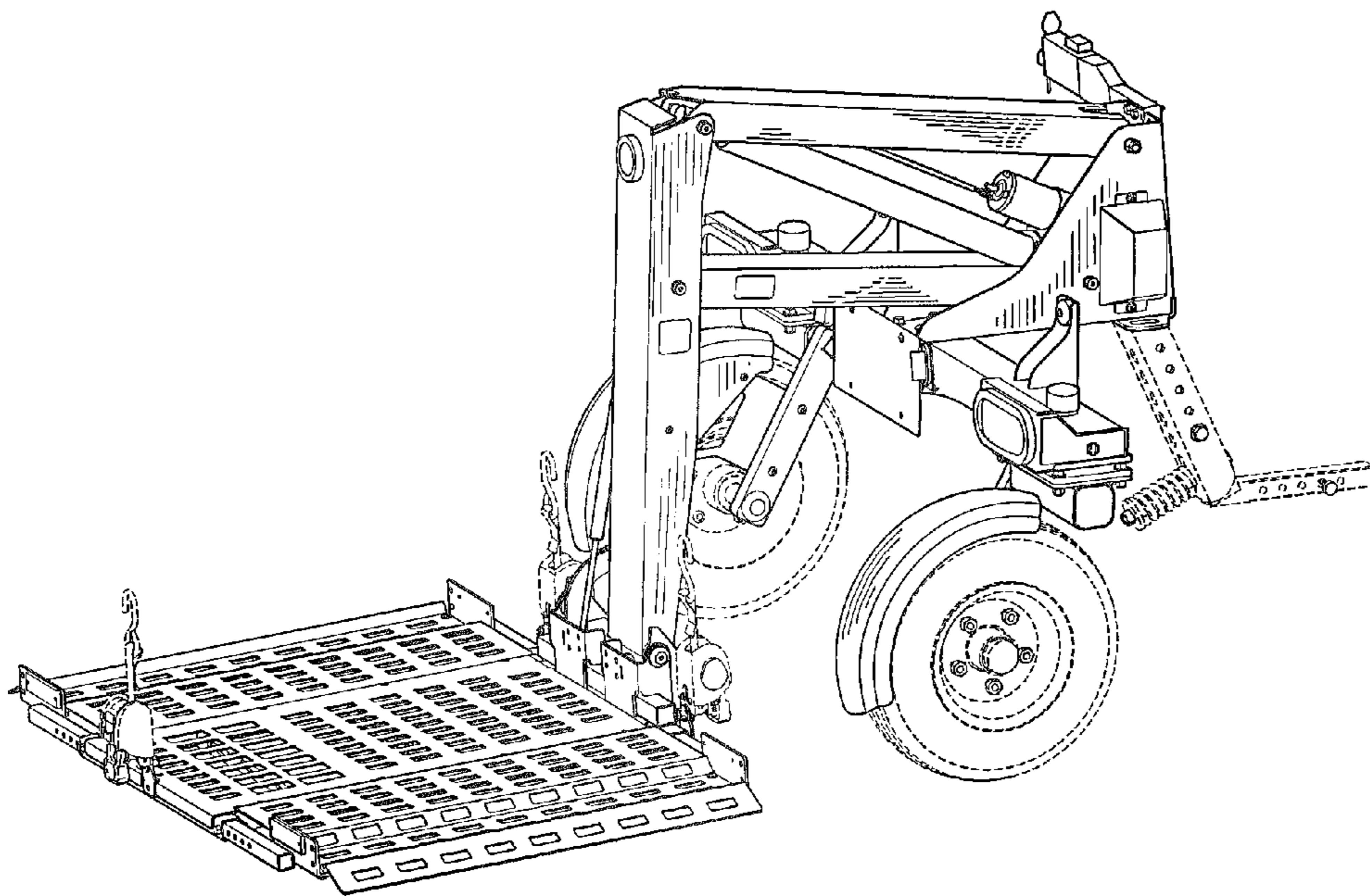


FIG. 12