



US00D668420S

(12) **United States Design Patent**
Kennard

(10) **Patent No.:** **US D668,420 S**
(45) **Date of Patent:** **** Oct. 2, 2012**

(54) **JACKHAMMER TROLLEY**

(75) Inventor: **Rory Campbell Kennard**, Naremburn (AU)

(73) Assignee: **Kennovations Pty Limited**, Artarmon, NSW (AU)

(**) Term: **14 Years**

(21) Appl. No.: **29/407,685**

(22) Filed: **Dec. 1, 2011**

(30) **Foreign Application Priority Data**

Jul. 12, 2011 (AU) 13099/2011

(51) **LOC (9) Cl.** **12-02**

(52) **U.S. Cl.** **D34/24**

(58) **Field of Classification Search** D34/12-27;
280/47.34, 47.36, 47.37, DIG. 5, 641, 651,
280/47.21

See application file for complete search history.

(56) **References Cited**

U.S. PATENT DOCUMENTS

2,706,008 A * 4/1955 Voigt 180/19.2
D391,731 S * 3/1998 Wu D34/15
D450,168 S * 11/2001 Liao D34/15

D564,724 S * 3/2008 Dethier D34/24
D632,448 S * 2/2011 Simko et al. D34/12
2005/0212266 A1* 9/2005 Lu 280/651

* cited by examiner

Primary Examiner — Cynthia Ramirez

(74) *Attorney, Agent, or Firm* — James Creighton Wray

(57) **CLAIM**

The ornamental design for a jackhammer trolley, as shown and described.

DESCRIPTION

FIG. 1 is a perspective view showing the top, front and right side of the design of the jackhammer trolley.

FIG. 2 is a right side elevation of the design of the jackhammer trolley.

FIG. 3 is a left side elevation of the design of the jackhammer trolley.

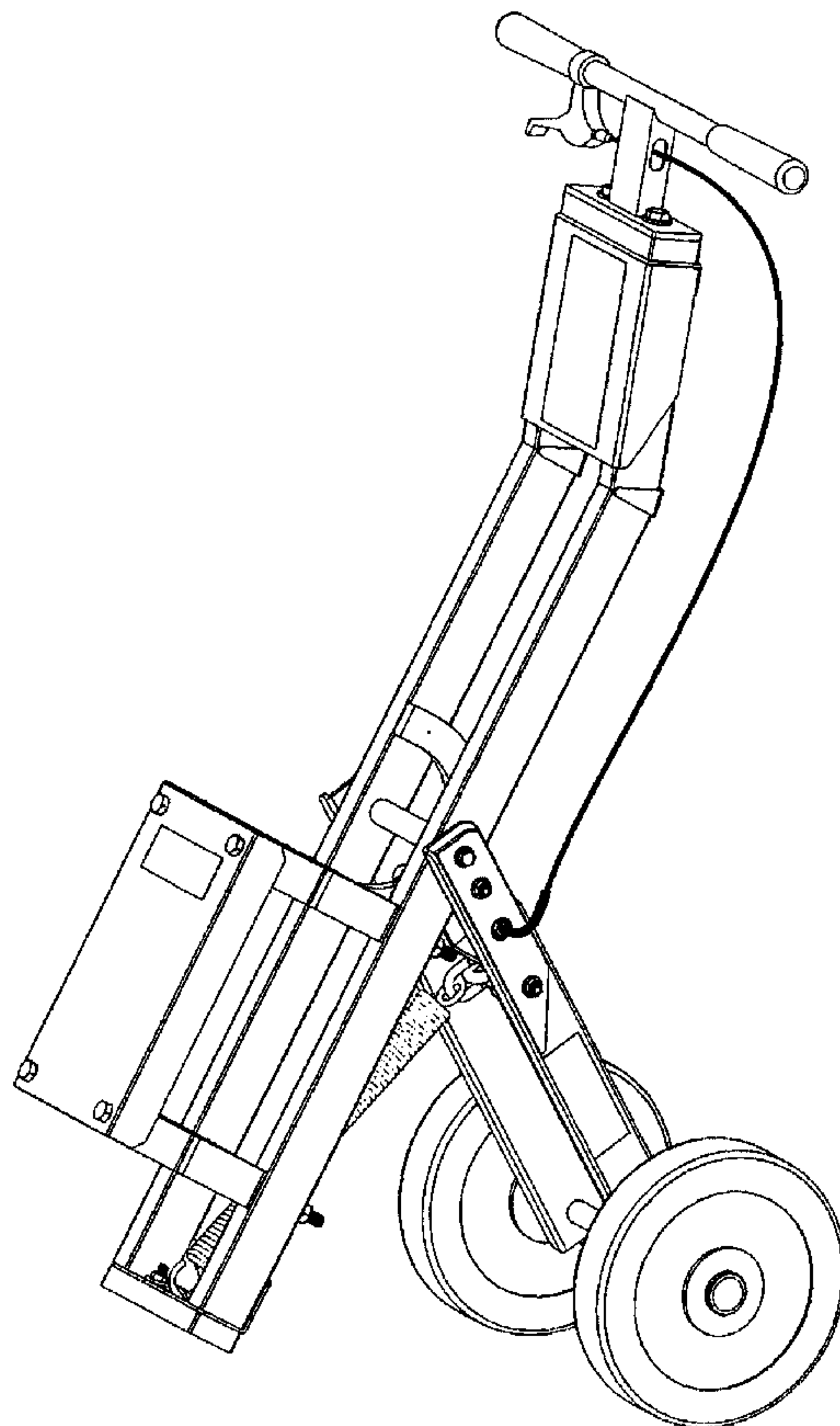
FIG. 4 is a front elevation of the design of the jackhammer trolley.

FIG. 5 is a rear elevation of the design of the jackhammer trolley.

FIG. 6 is a top plan view of the design of the jackhammer trolley; and,

FIG. 7 is a bottom view of the design of the jackhammer trolley.

1 Claim, 7 Drawing Sheets



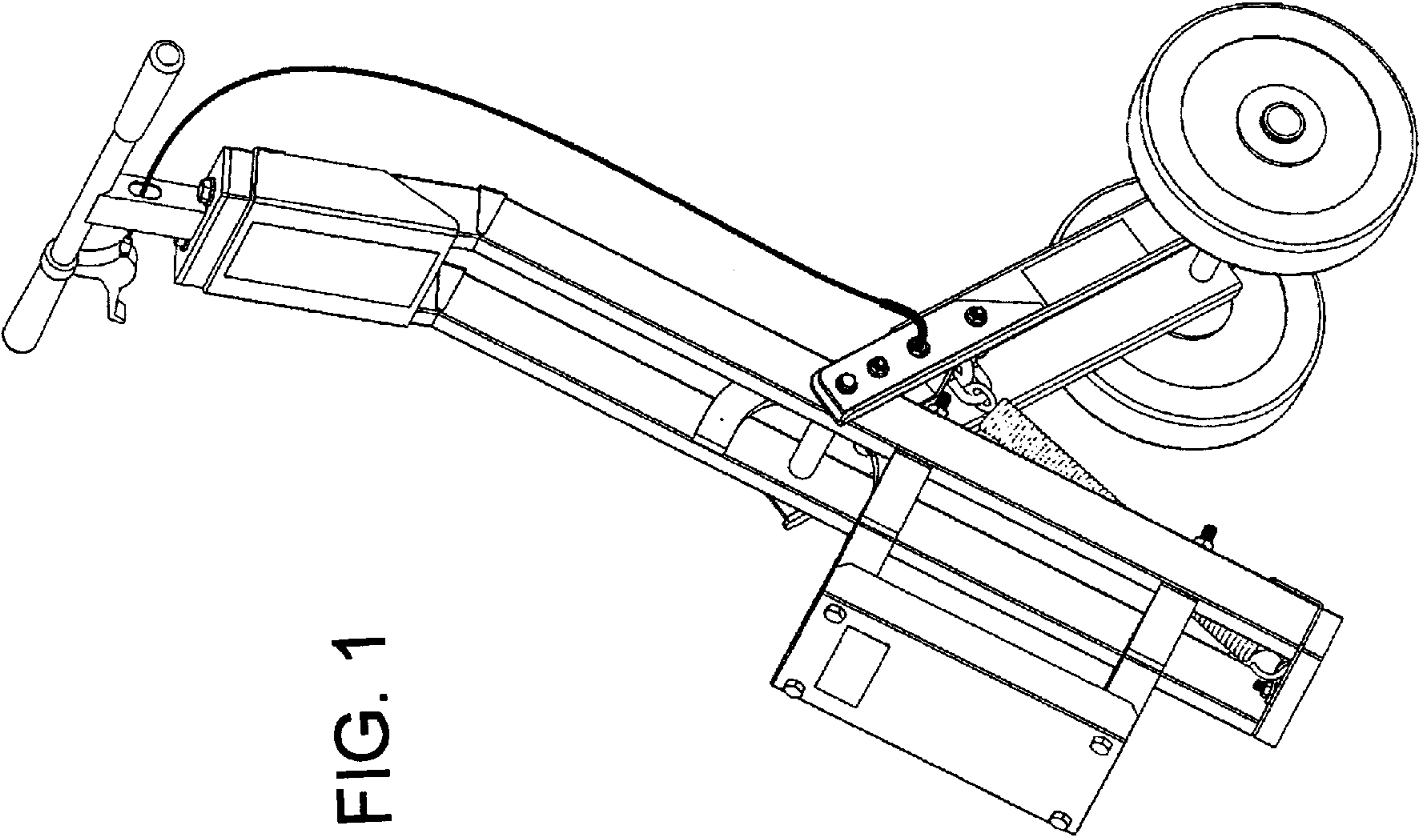


FIG. 1

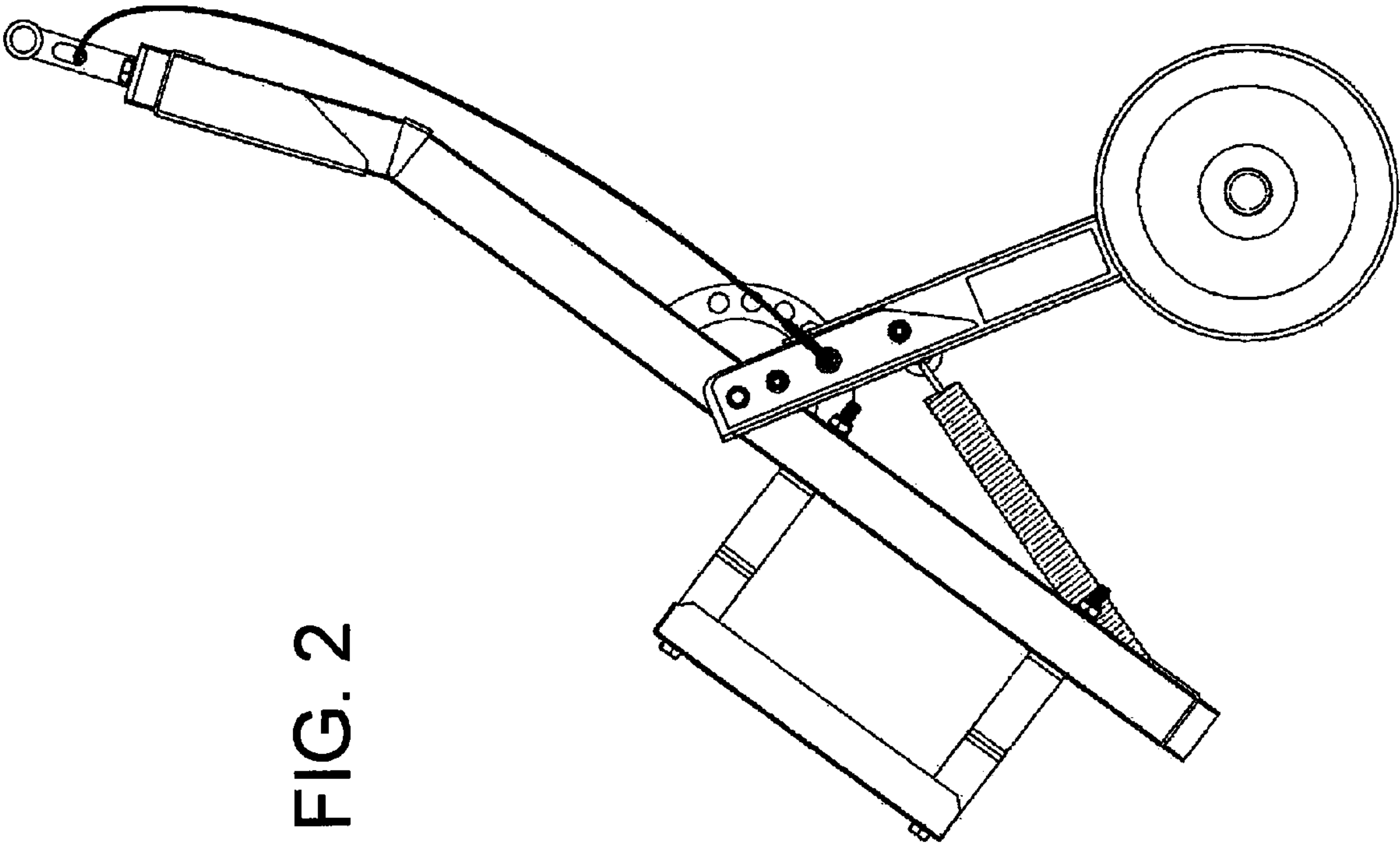
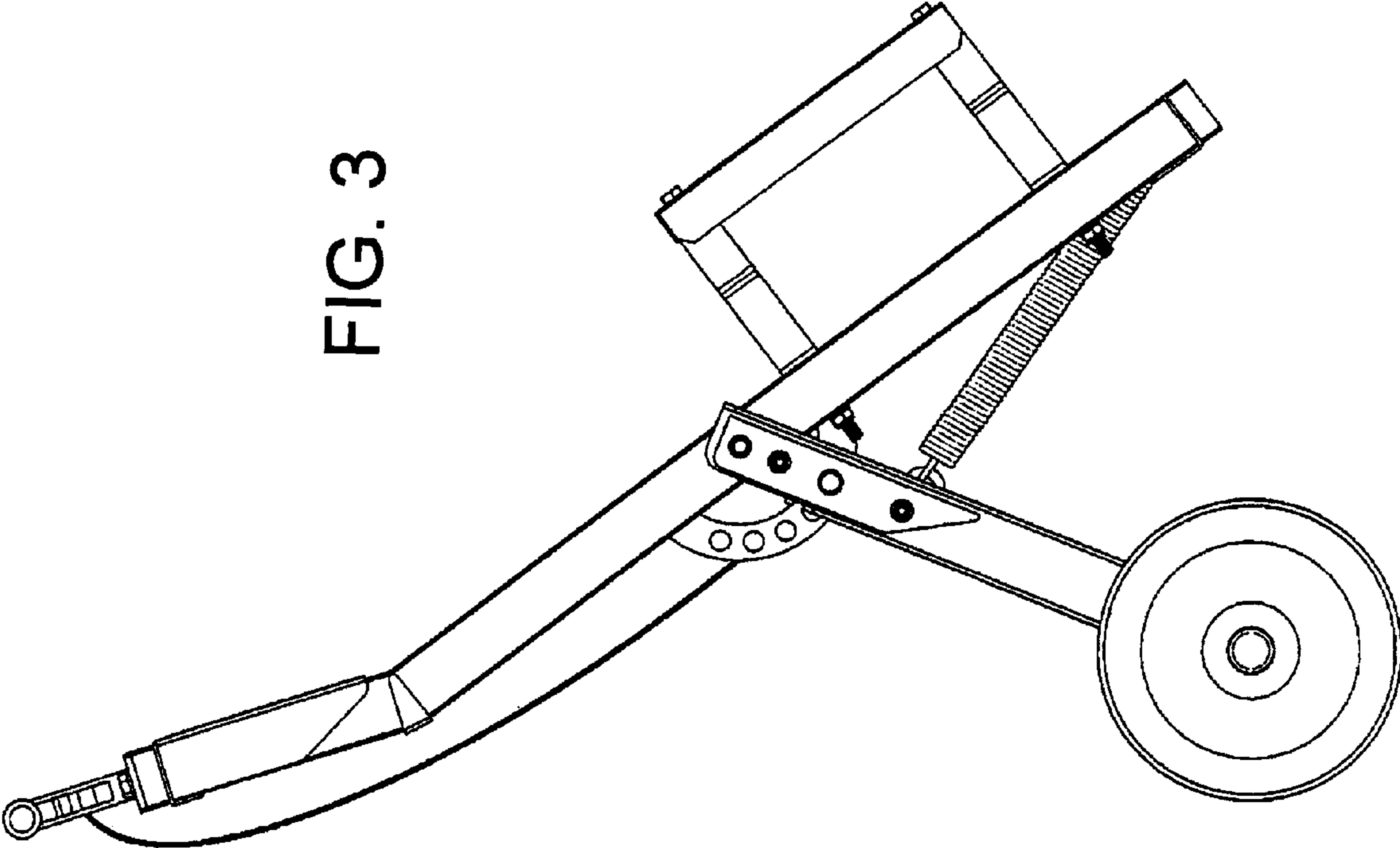


FIG. 2

FIG. 3



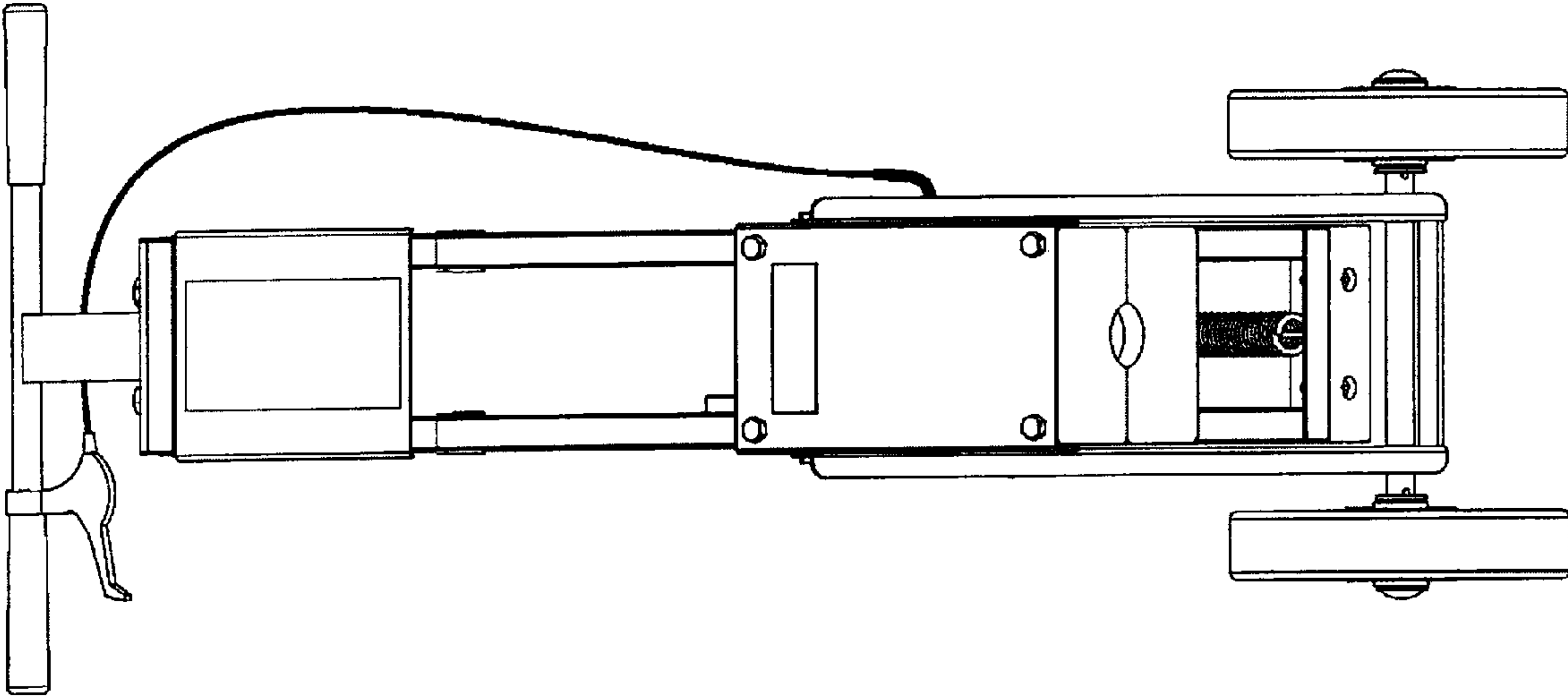


FIG. 4

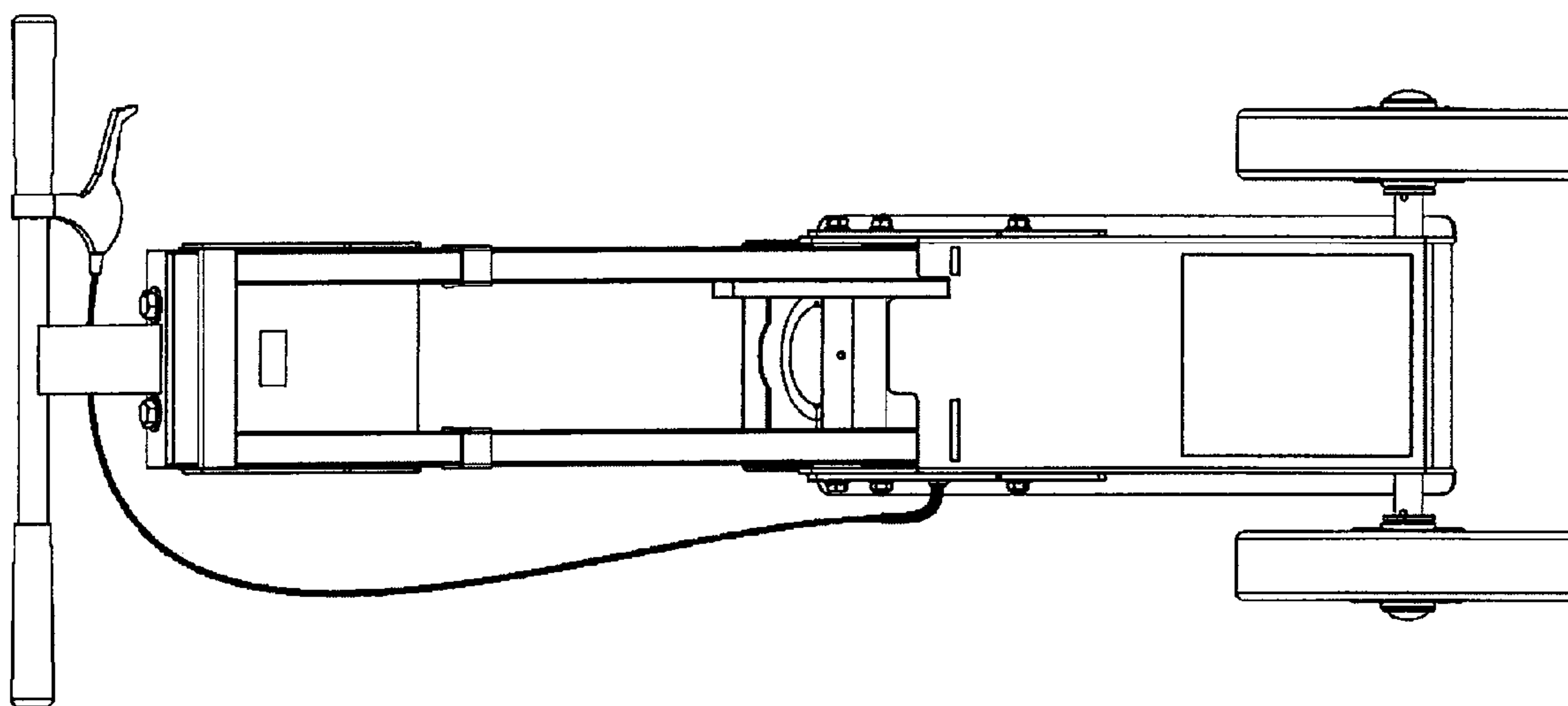


FIG. 5

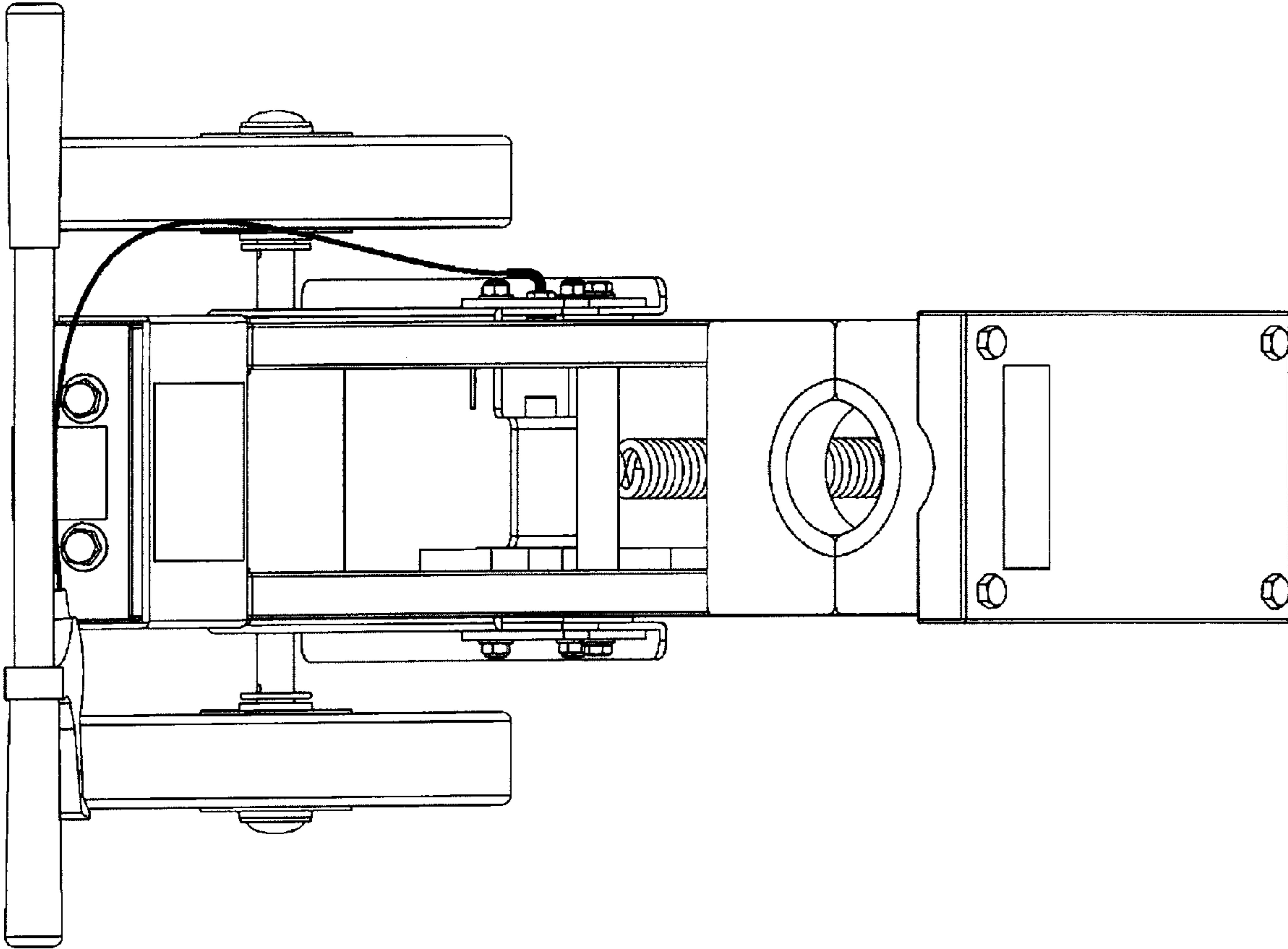


FIG. 6

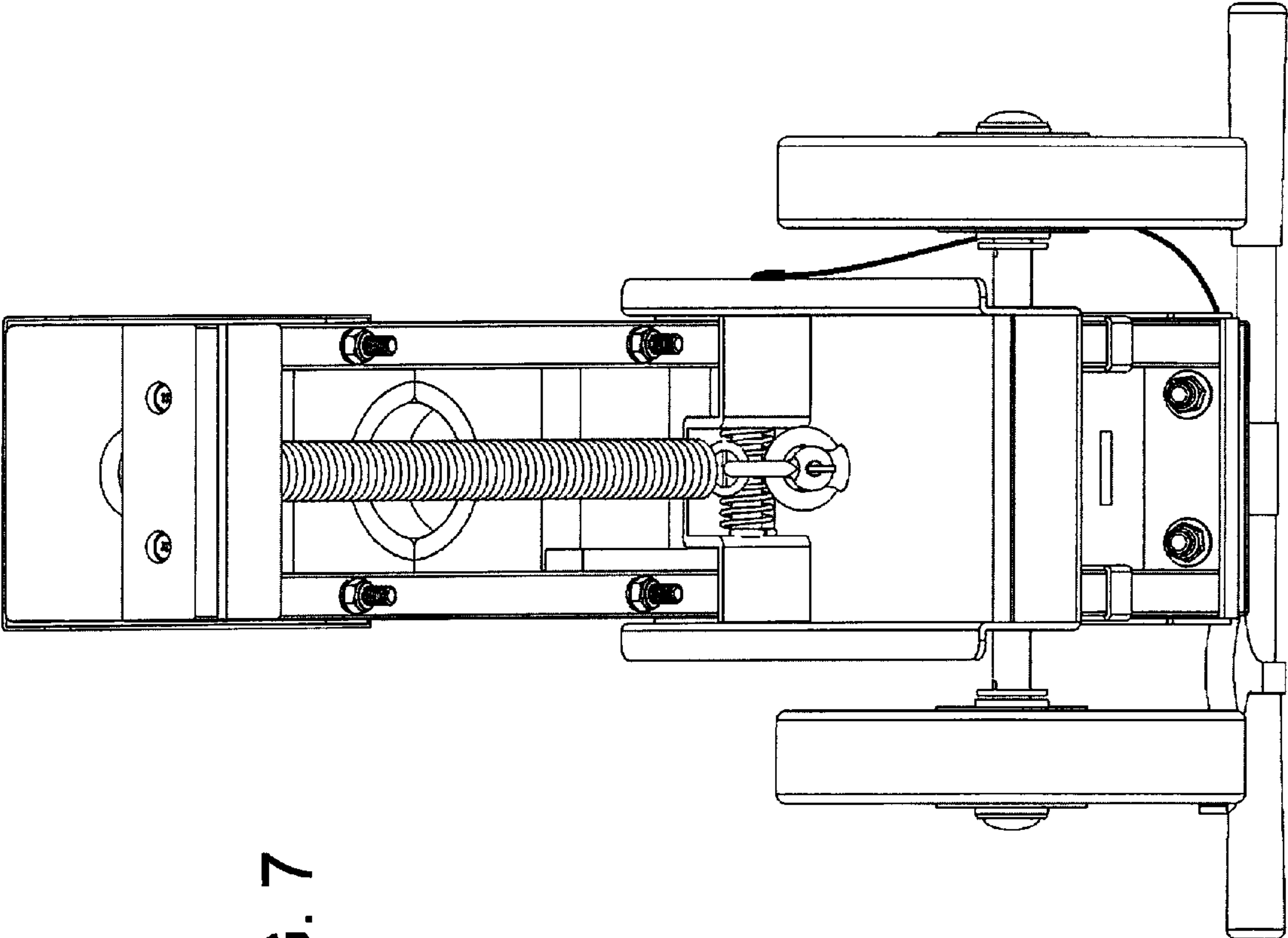


FIG. 7