

US00D668418S

(12) **United States Design Patent**
Nicholson

(10) **Patent No.:** **US D668,418 S**

(45) **Date of Patent:** **** *Oct. 2, 2012**

(54) **DISH CART**

(75) **Inventor:** **Jeff Nicholson**, Long Beach, CA (US)

(73) **Assignee:** **Cambro Manufacturing Co.**,
Huntington Beach, CA (US)

(*) **Notice:** This patent is subject to a terminal disclaimer.

(**) **Term:** **14 Years**

(21) **Appl. No.:** **29/398,850**

(22) **Filed:** **Aug. 5, 2011**

(51) **LOC (9) Cl.** **12-02**

(52) **U.S. Cl.** **D34/14**

(58) **Field of Classification Search** D34/12-27;
280/79.11, 79.3, 79.2; 211/49.1, 41, 194
See application file for complete search history.

(56) **References Cited**

U.S. PATENT DOCUMENTS

3,376,046	A *	4/1968	Kivett et al.	280/33,998
D251,968	S *	5/1979	Tucky	D34/19
D295,097	S *	4/1988	Cohn et al.	D34/14
D314,216	S *	1/1991	Banko et al.	D34/17

D324,216	S *	2/1992	Gobindram	D14/143
D327,555	S *	6/1992	Juergens	D34/1
5,263,701	A *	11/1993	Kleinhen	271/145
5,264,286	A *	11/1993	Ando et al.	428/432
D362,102	S *	9/1995	Campbell et al.	D34/19
7,293,785	B2 *	11/2007	Bush et al.	280/47.34
7,562,897	B1 *	7/2009	Sherman et al.	280/651
D603,120	S *	10/2009	Armer	D34/14
D625,894	S *	10/2010	Armer	D34/14

* cited by examiner

Primary Examiner — Cynthia Ramirez

(74) *Attorney, Agent, or Firm* — George F. Bethel

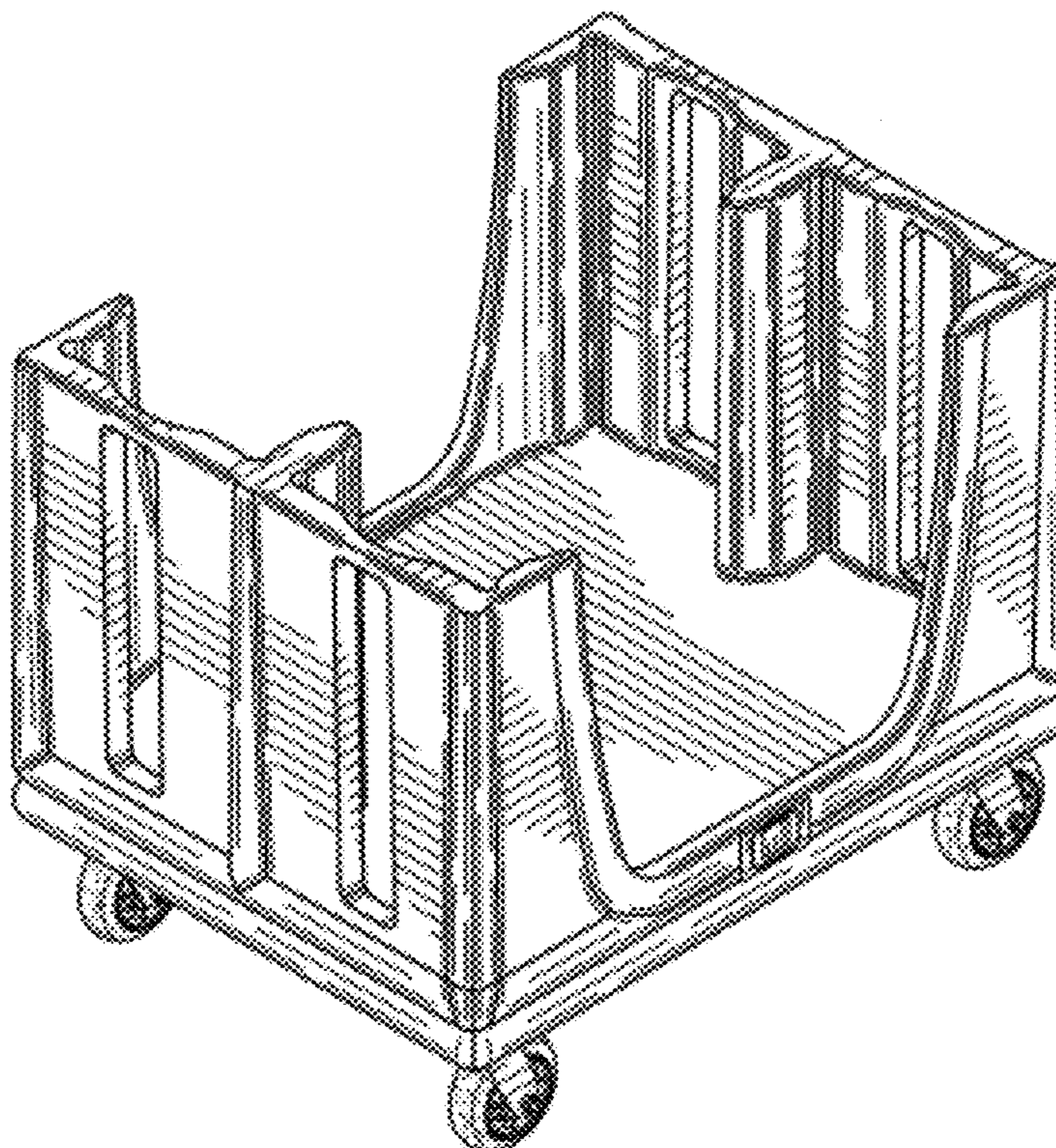
(57) **CLAIM**

I claim the ornamental design for a dish cart, as shown and described.

DESCRIPTION

FIG. 1 is a left side perspective view of the dish cart.
FIG. 2 is a front elevation view of the cart.
FIG. 3 is a left side elevation view of the cart.
FIG. 4 is a top plan view of the cart.
FIG. 5 is a rear elevation view of the cart.
FIG. 6 is a right side elevation view of the cart.
FIG. 7 is a bottom plan view of the cart; and,
FIG. 8 is a bottom perspective view of the dish cart.

1 Claim, 4 Drawing Sheets



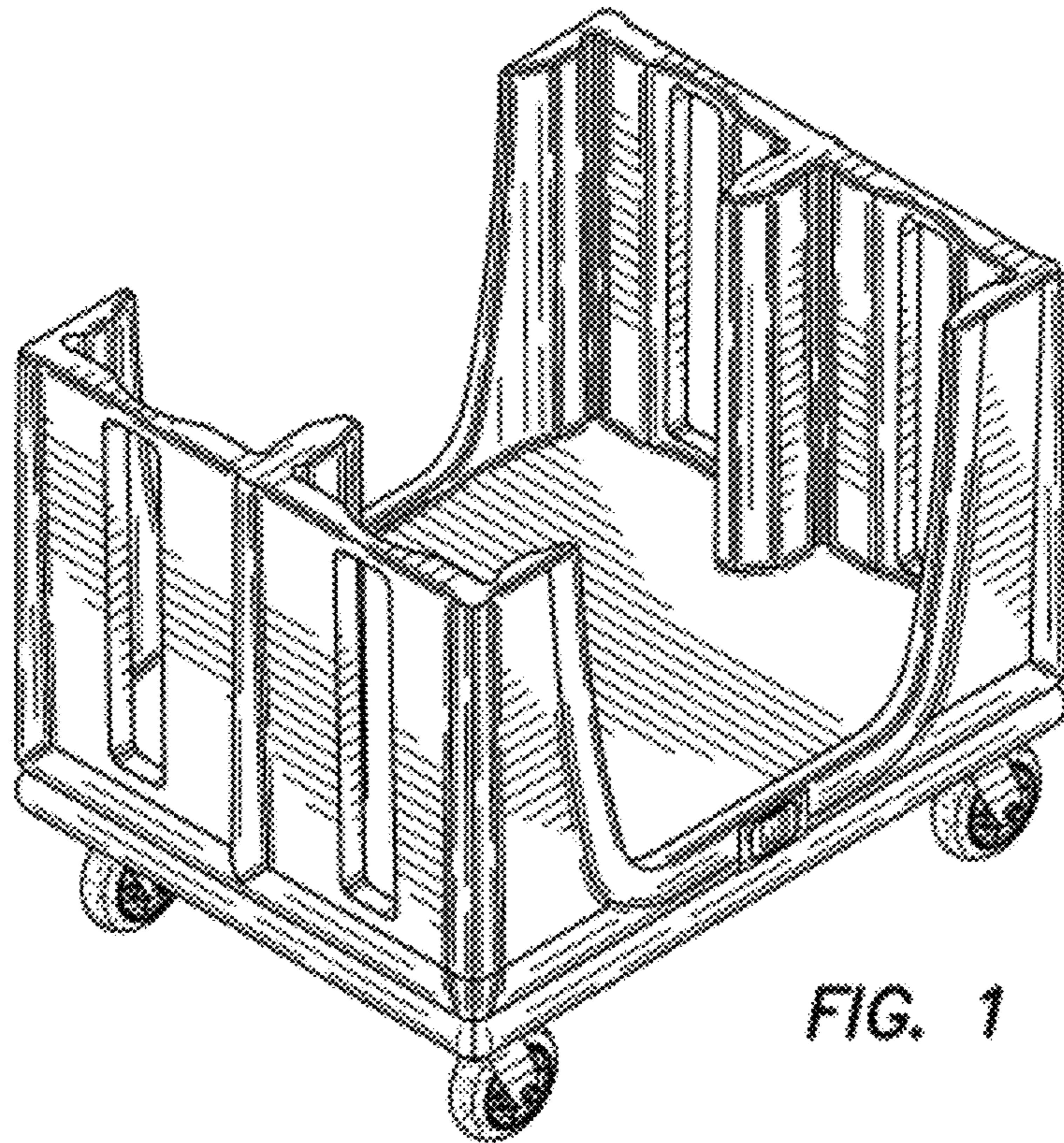


FIG. 1

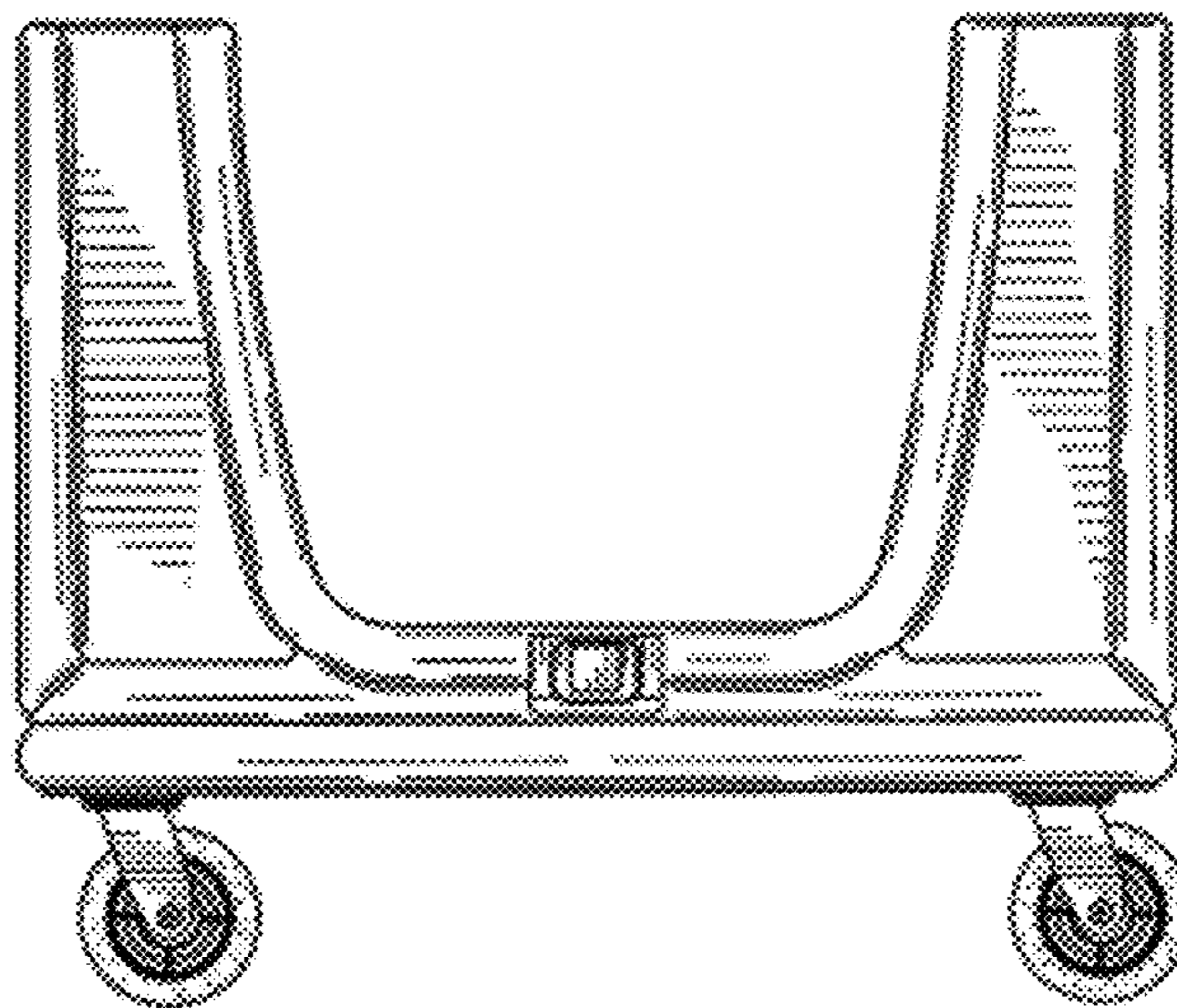


FIG. 2

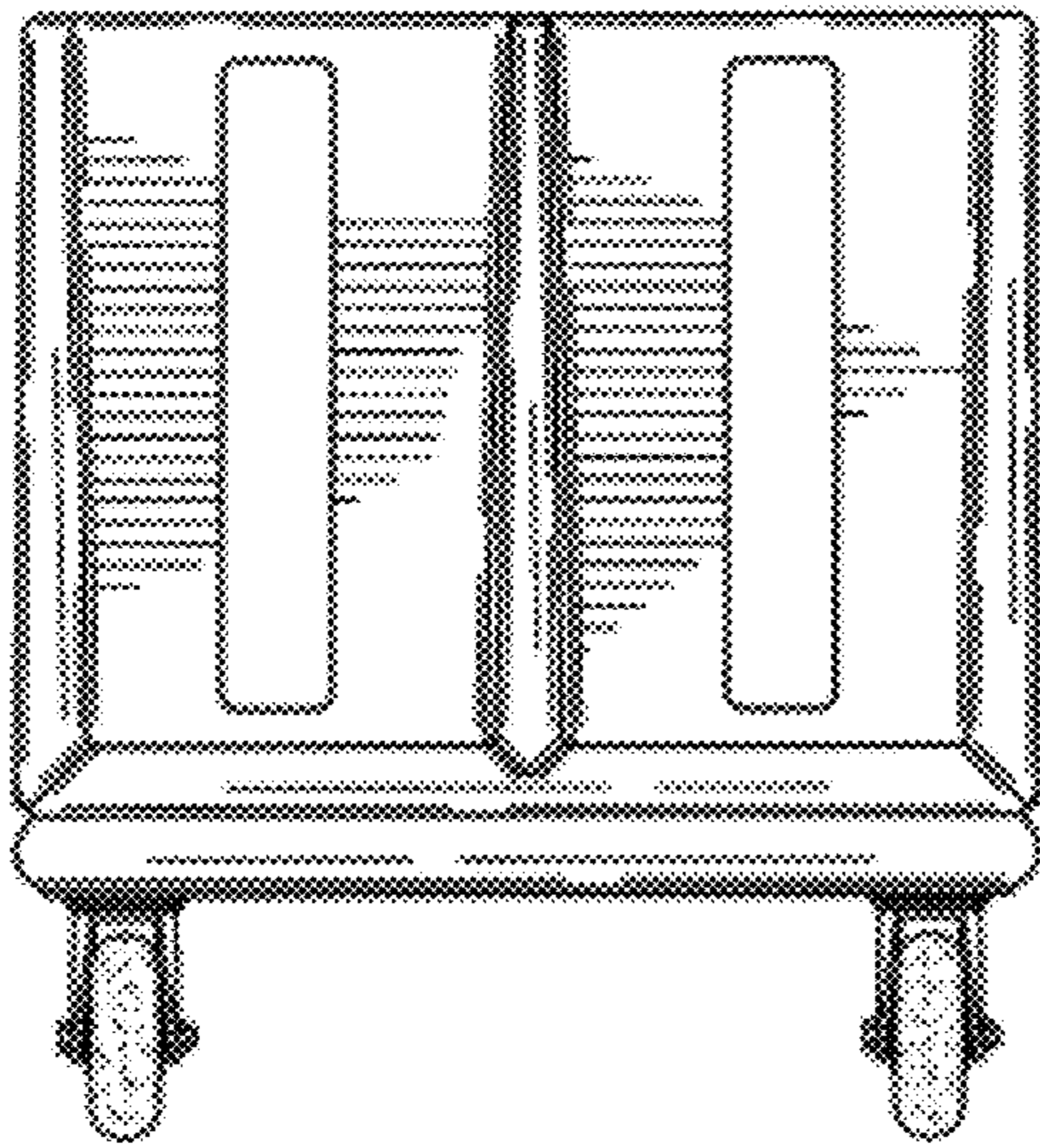


FIG. 3

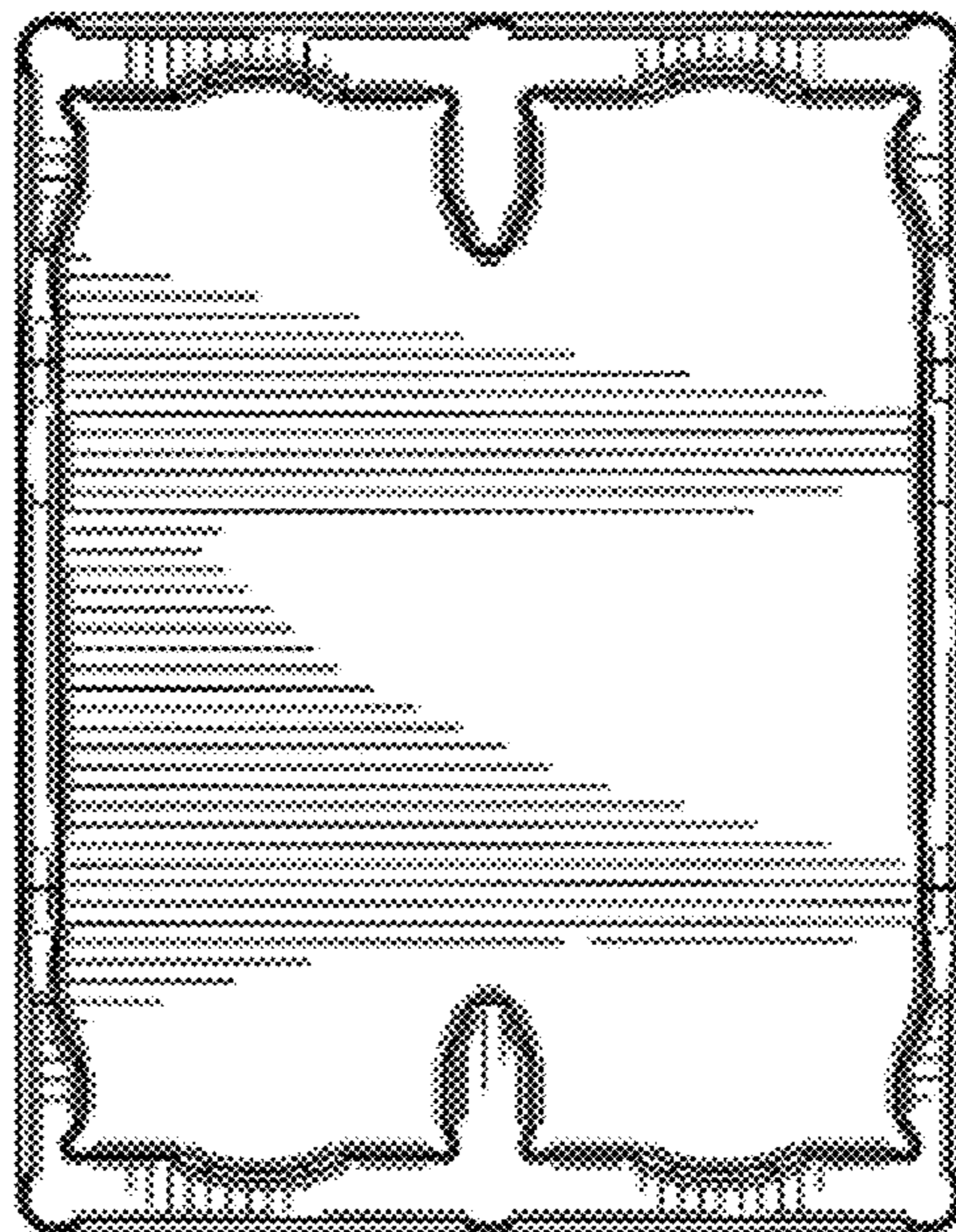


FIG. 4

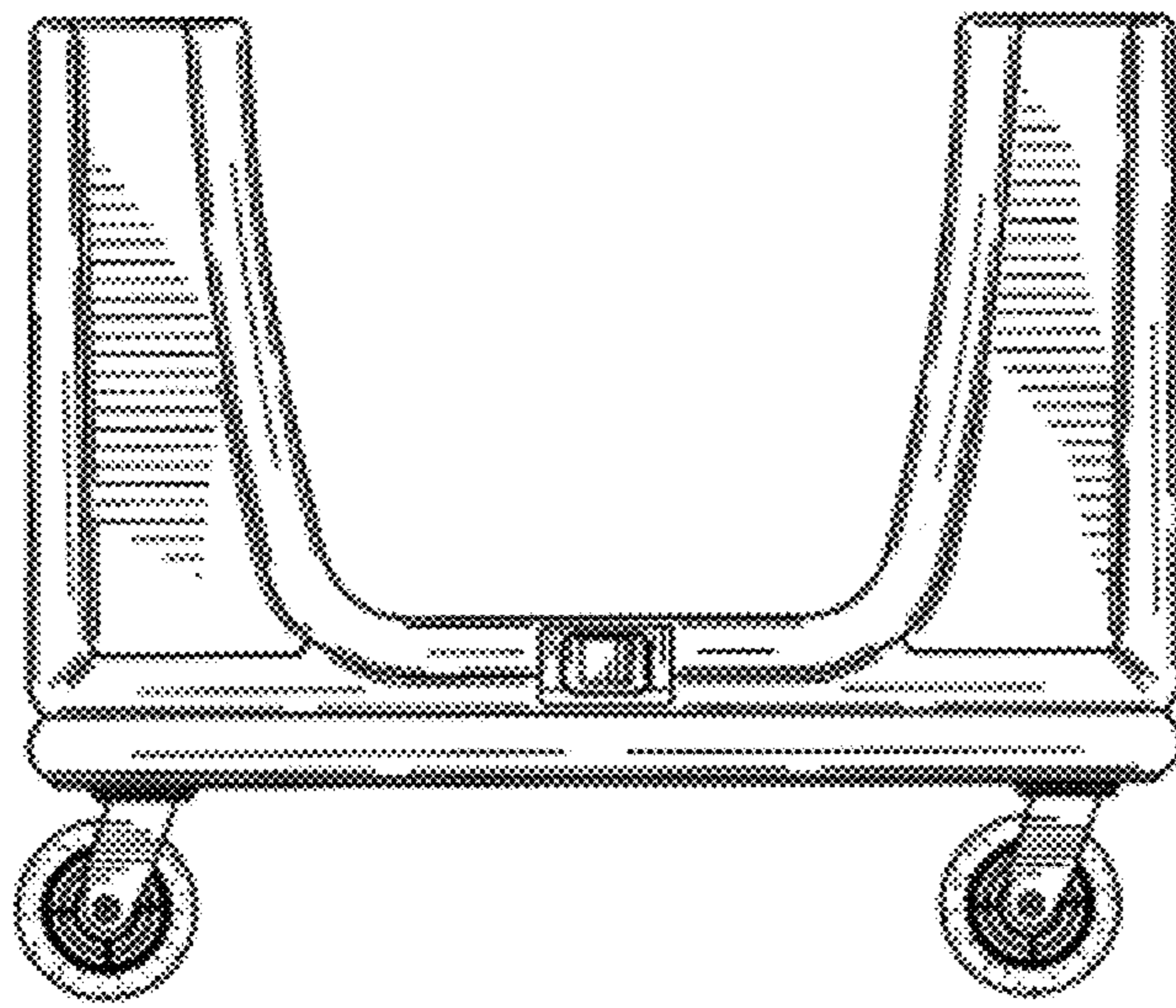


FIG. 5

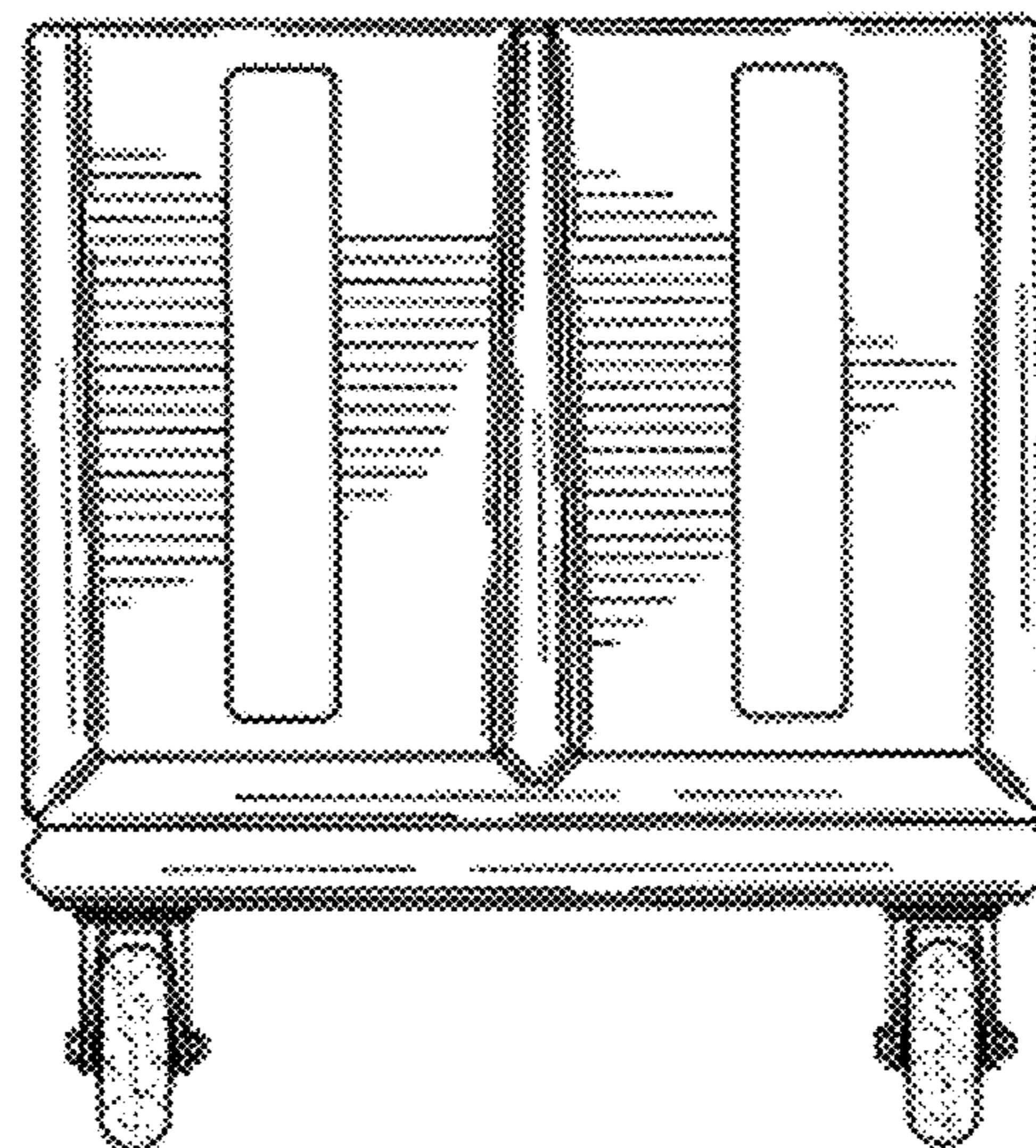


FIG. 6

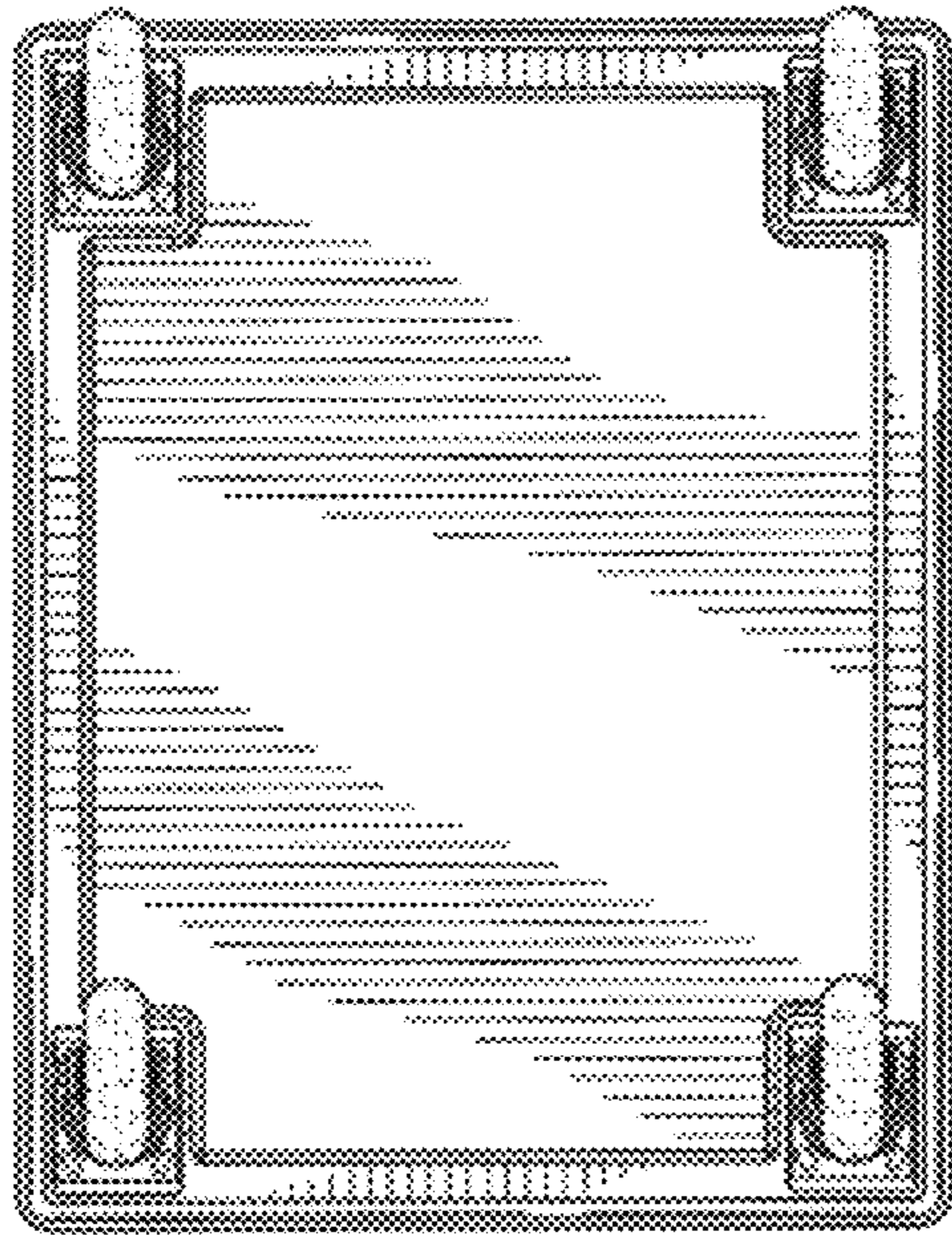


FIG. 7

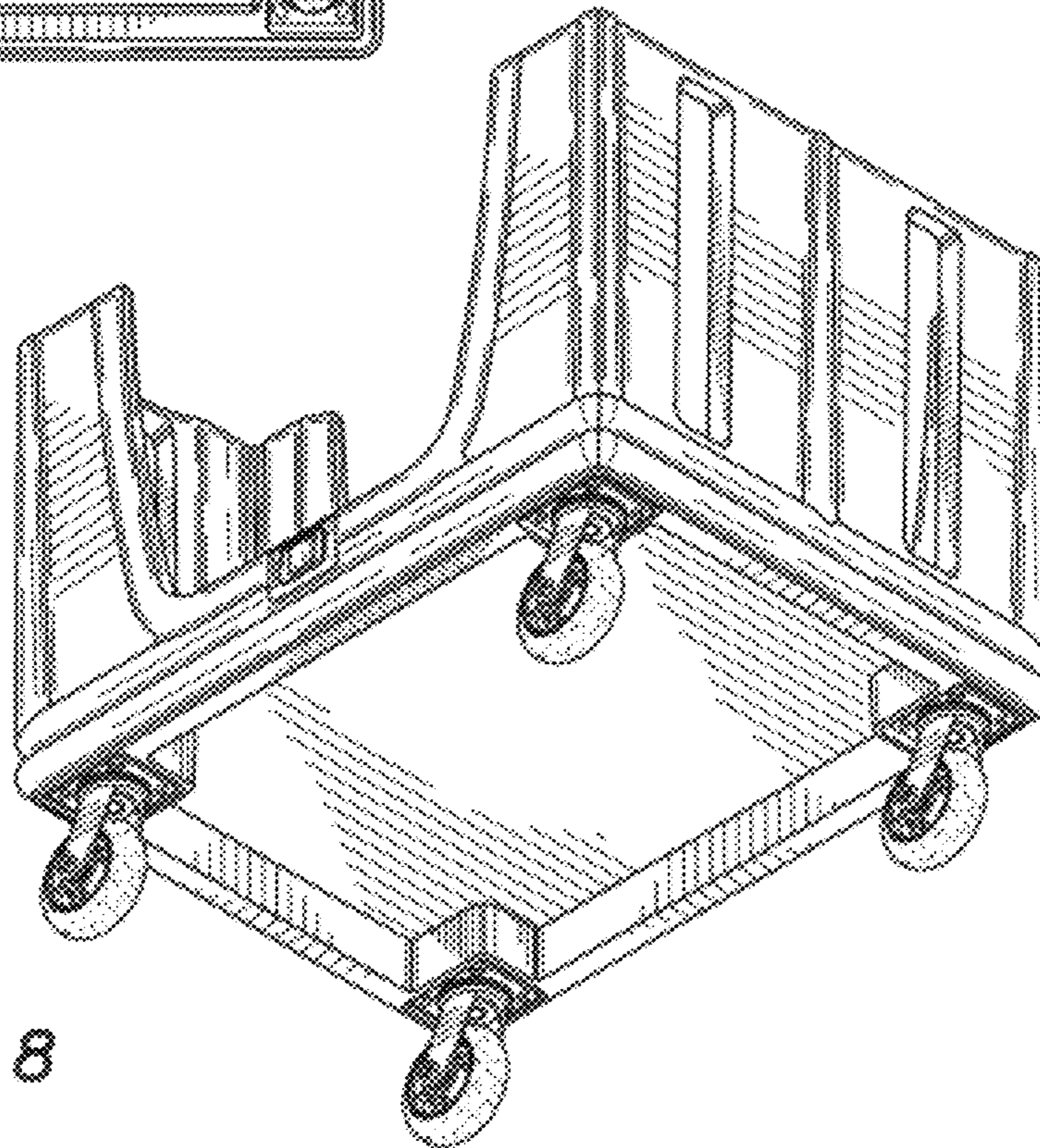


FIG. 8