



US00D668416S

(12) **United States Design Patent**
Thomas et al.

(10) **Patent No.:** **US D668,416 S**
(45) **Date of Patent:** **** Oct. 2, 2012**

(54) **COMBINED COLLECTION AND COVER
STRUCTURE FOR A RECEPTACLE**

(75) Inventors: **David Scott Thomas**, Wolfeboro, NH
(US); **Gordon E. Atkinson**, Hickory, NC
(US)

(73) Assignee: **David Scott Thomas**, Wolfeboro, NH
(US)

(**) Term: **14 Years**

(21) Appl. No.: **29/408,306**

(22) Filed: **Dec. 9, 2011**

(51) **LOC (9) Cl.** **09-09**

(52) **U.S. Cl.** **D34/10**

(58) **Field of Classification Search** D34/1-11;
248/95, 97, 98, 99, 100, 101; 220/908.3
See application file for complete search history.

(56) **References Cited**

U.S. PATENT DOCUMENTS

1,170,797	A	2/1916	Burroughs	
3,156,941	A	11/1964	Tomaiuolo	
3,390,804	A	7/1968	Morgan	
4,312,531	A	1/1982	Cross	
4,550,440	A	10/1985	Rico	
4,600,113	A	7/1986	DeMars	
4,795,046	A	1/1989	Rath	
4,802,258	A	2/1989	Jensen	
4,832,291	A *	5/1989	Nelson et al.	248/99
4,832,292	A *	5/1989	Beckham	248/99
4,890,733	A	1/1990	Anderson	
4,907,710	A	3/1990	Bulkens	
5,172,823	A	12/1992	Moetteli	
5,222,536	A	6/1993	Hodgdon et al.	
5,407,089	A	4/1995	Bird et al.	
D358,915	S *	5/1995	O'Donoghue	D32/54
D391,717	S *	3/1998	Stein	D32/54
6,131,759	A	10/2000	Young	
D439,718	S *	3/2001	Thorpe	D34/5
D445,550	S *	7/2001	Wigren et al.	D34/6

6,431,503	B1 *	8/2002	Horan	248/101
6,915,921	B2	7/2005	Mensch	
6,974,167	B2	12/2005	Springs, II	
7,131,552	B2	11/2006	Simonson	
D533,701	S	12/2006	Payton et al.	
D537,597	S	2/2007	Bolden	
7,192,037	B1	3/2007	Pena	
D552,351	S *	10/2007	Bauers	D3/294
D553,323	S	10/2007	Moomey	
D566,368	S	4/2008	Moomey	
7,469,798	B1	12/2008	Miller	
D632,447	S *	2/2011	Lutz	D34/6
D638,189	S *	5/2011	Wolzen	D34/5
D651,780	S *	1/2012	Grasteit	D34/1
2002/0100845	A1 *	8/2002	Green	248/101
2003/0214141	A1	11/2003	Morris	

* cited by examiner

Primary Examiner — Cynthia Ramirez

(74) *Attorney, Agent, or Firm* — Stevens & Showalter LLP

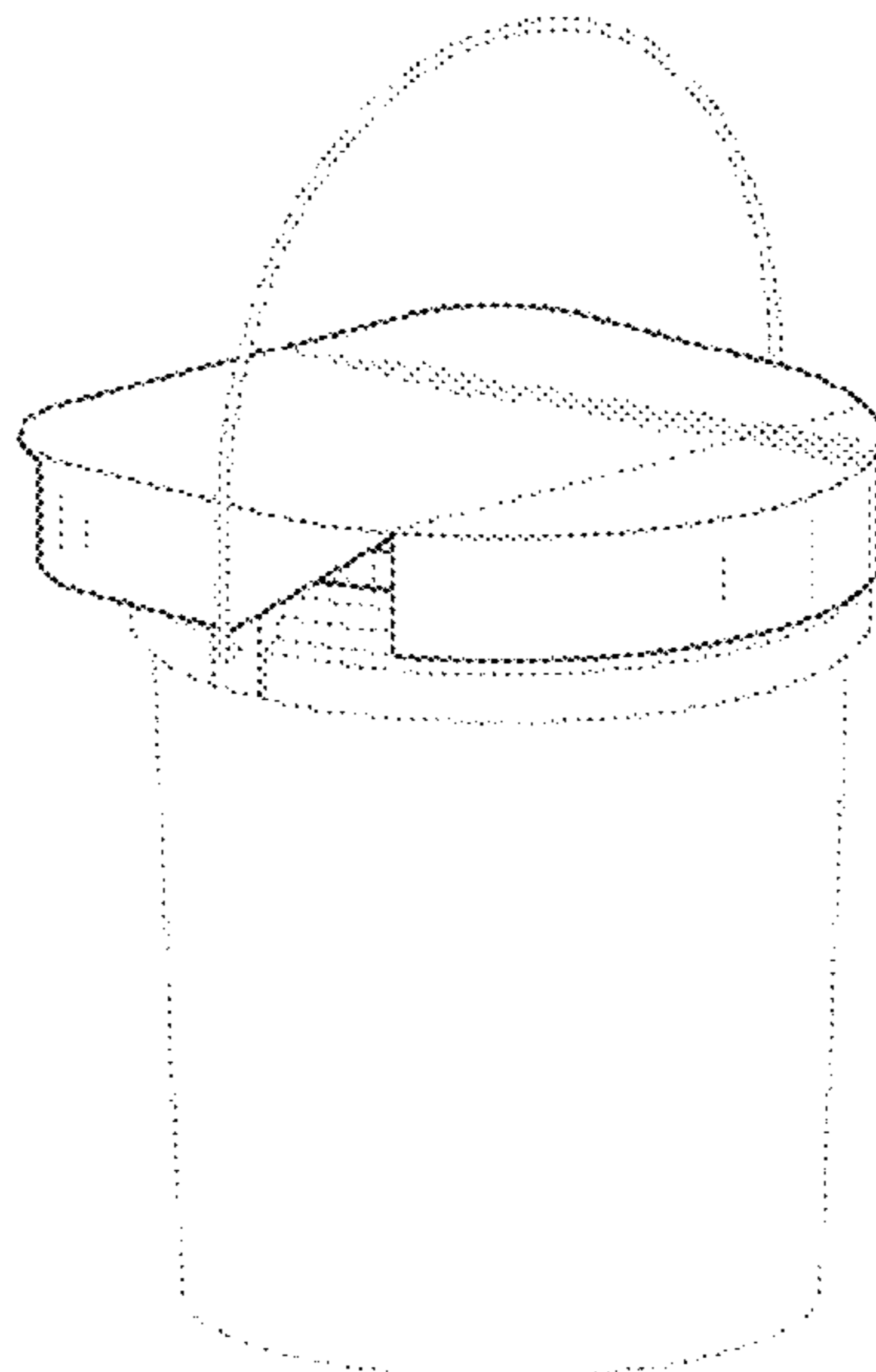
(57) **CLAIM**

The ornamental design for a combined collection and cover structure for a receptacle, as shown and described.

DESCRIPTION

FIG. 1 is a perspective view of a combined collection and cover structure for a receptacle illustrated in use, showing our new design;
FIG. 2 is a front elevational view thereof;
FIG. 3 is a rear elevational view thereof;
FIG. 4 is a left-hand side view thereof, the right-hand side view being a mirror image thereof;
FIG. 5 is a top plan view thereof;
FIG. 6 is a bottom plan view thereof; and,
FIG. 7 is a perspective view thereof, illustrated in use on a receptacle, with a lid thereof in an open configuration.
The broken lines in FIGS. 2 and 6 are to show elements of the structure and the broken lines in FIG. 7 are to show environment and they all form no part of the claimed design.

1 Claim, 4 Drawing Sheets



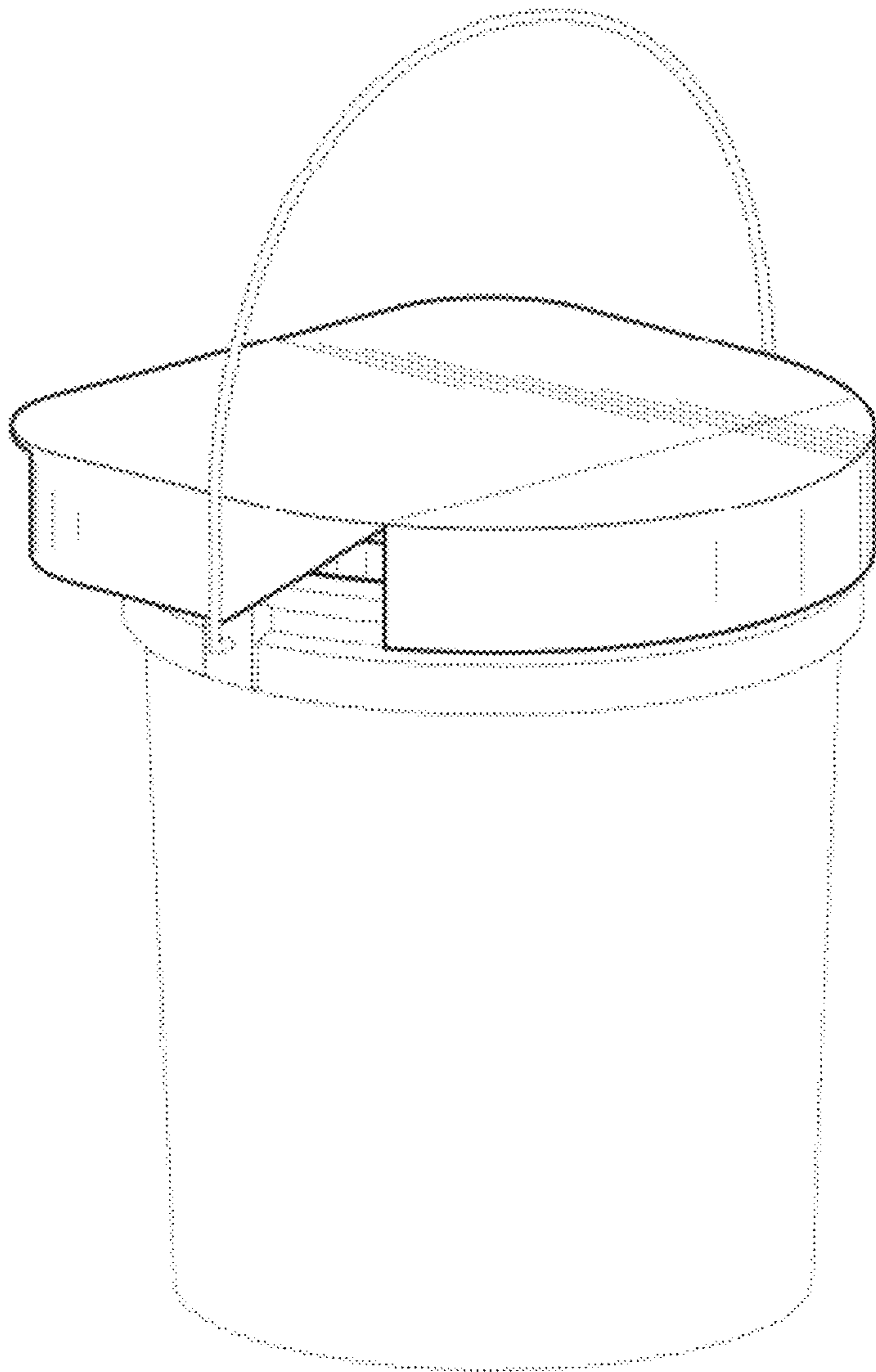


FIG. 1

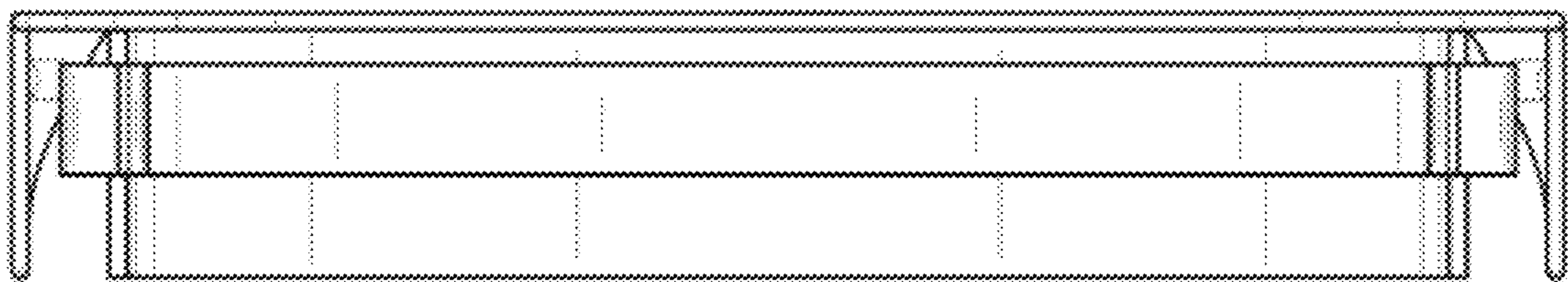


FIG. 2

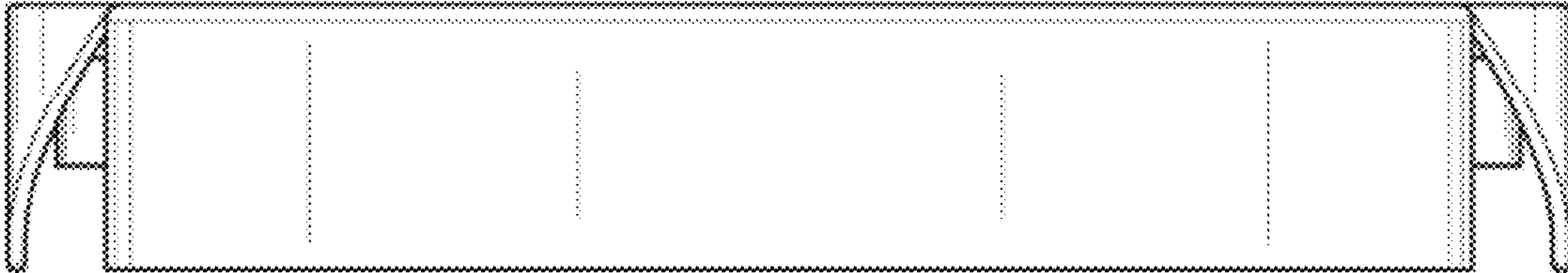


FIG. 3

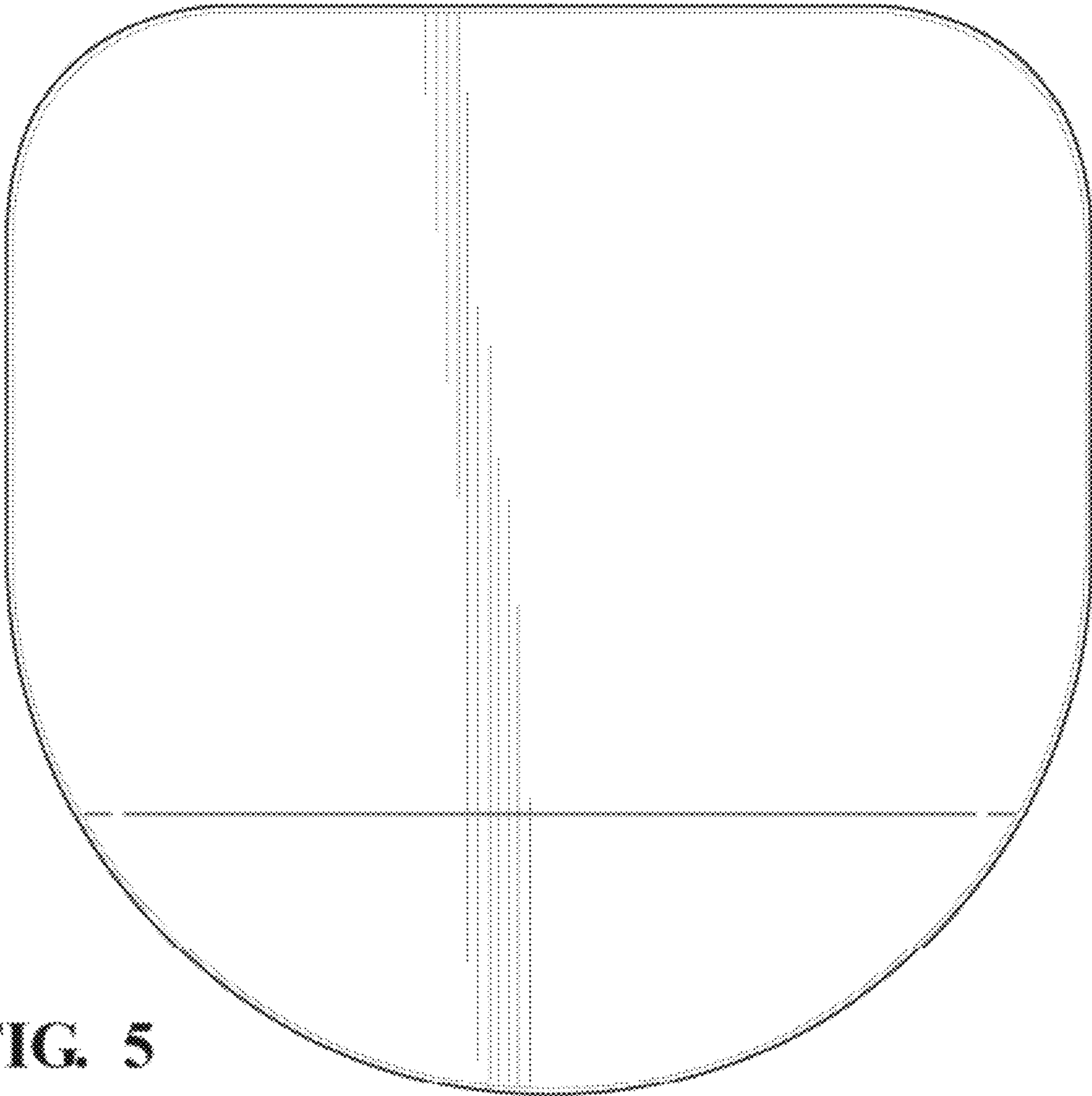


FIG. 5

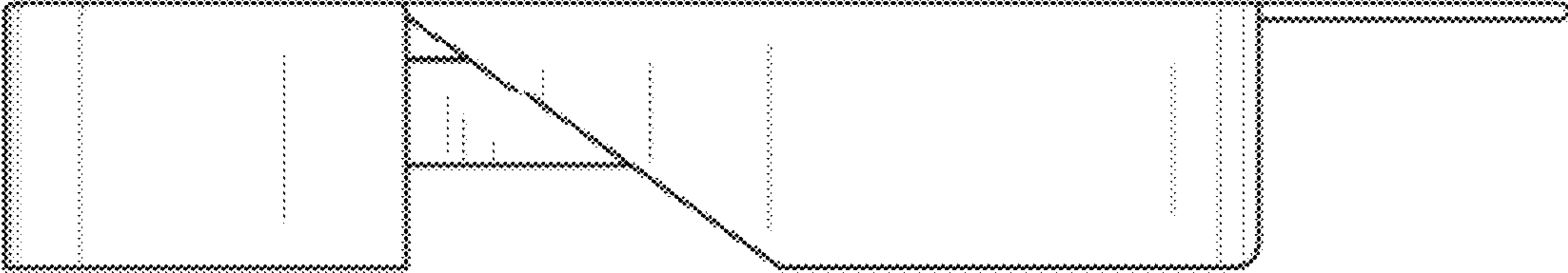


FIG. 4

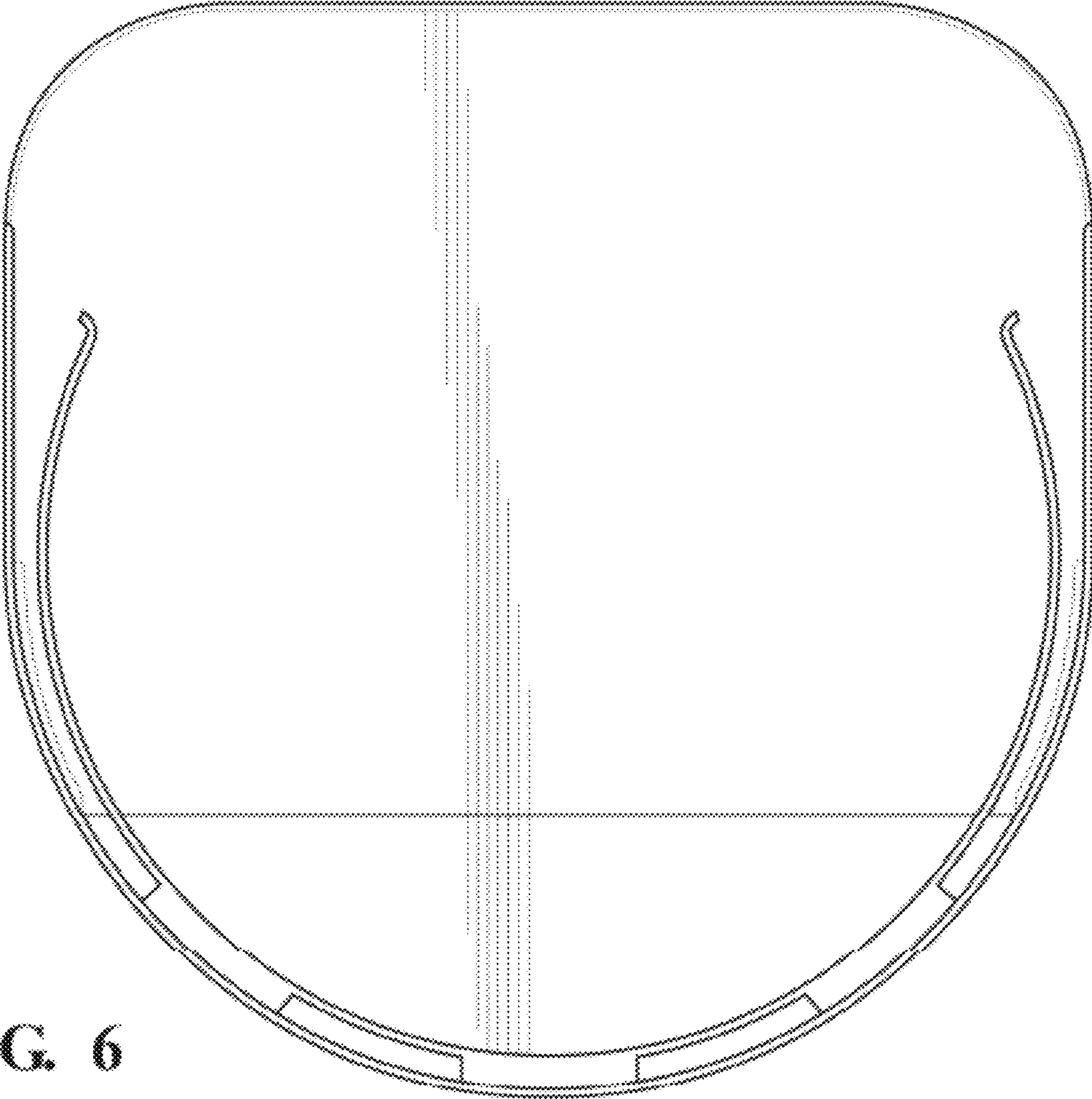


FIG. 6

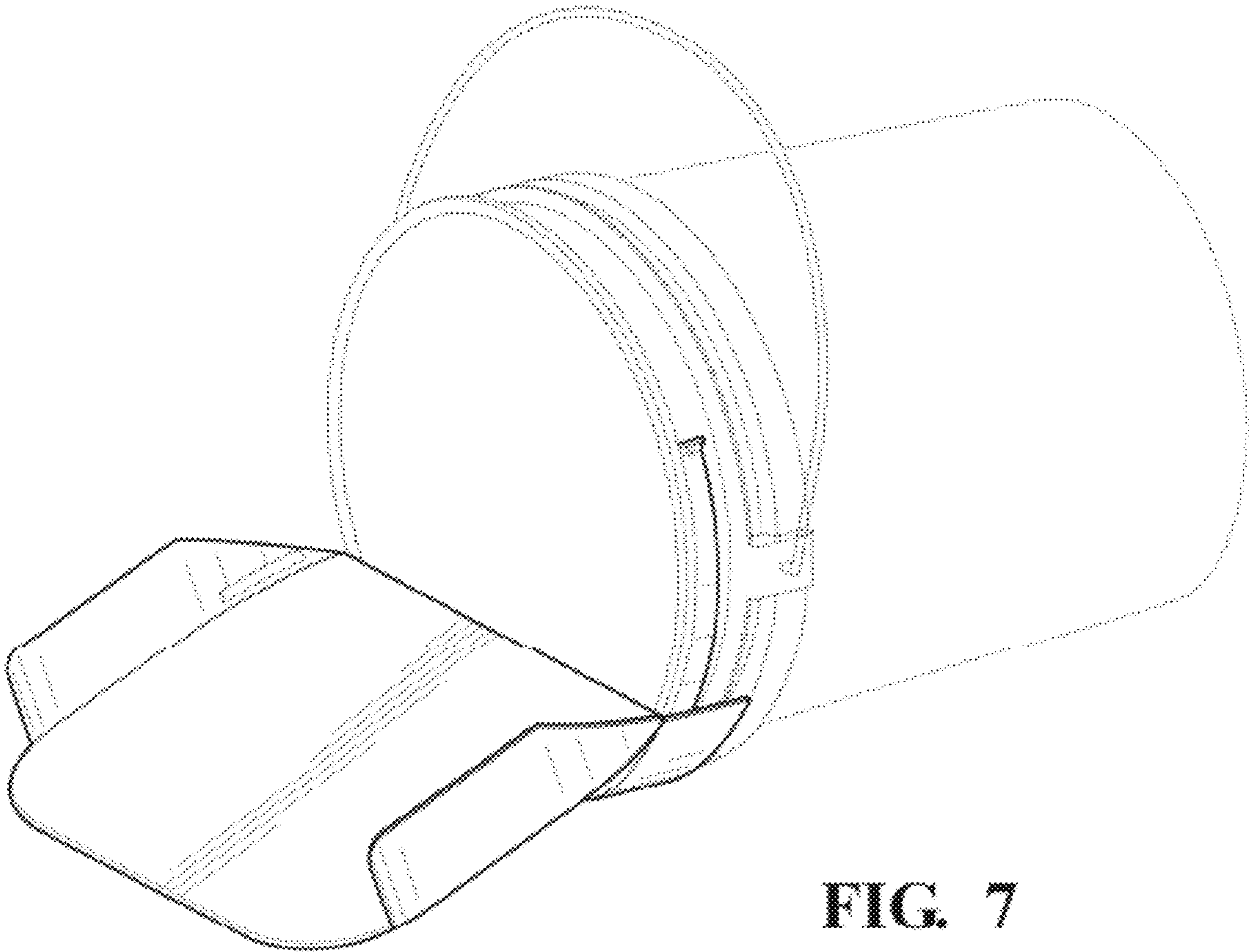


FIG. 7