

US00D668414S

(12) **United States Design Patent**  
**McNay et al.**

(10) **Patent No.:** **US D668,414 S**  
(45) **Date of Patent:** **\*\* Oct. 2, 2012**

(54) **RECYCLE BIN ASSEMBLY**

(75) Inventors: **Mark McNay**, Springfield, MO (US);  
**Rick Correll**, Springfield, MO (US);  
**Gary Robinson**, Springfield, MO (US);  
**Alan Miller**, Springfield, MO (US)

(73) Assignee: **Southern Missouri Containers, Inc.**,  
Springfield, MO (US)

(\*\*) Term: **14 Years**

(21) Appl. No.: **29/382,725**

(22) Filed: **Jan. 6, 2011**

(51) **LOC (9) Cl.** ..... **09-09**

(52) **U.S. Cl.** ..... **D34/7**

(58) **Field of Classification Search** ..... D34/1-11;  
220/908, 908.1, 909, 911, 913; D3/273,  
D3/304, 302, 272; 206/457; 229/117, 907;  
D9/414, 430, 431, 432, 433, 416, 418, 420  
See application file for complete search history.

(56) **References Cited**

U.S. PATENT DOCUMENTS

4,657,176 A \* 4/1987 Matsubara ..... 229/117.01

(Continued)

*Primary Examiner* — Cynthia Ramirez

(74) *Attorney, Agent, or Firm* — Lathrop & Gage LLP

(57) **CLAIM**

The ornamental design for a recycle bin assembly, as shown and described.

**DESCRIPTION**

FIG. 1 is a front elevation view of a recycle bin assembly according to the present invention;

FIG. 2 is a top plan view of the recycle bin assembly;

FIG. 3 is a back elevational view of the recycle bin assembly;

FIG. 4 is a bottom plan view of the recycle bin assembly;

FIG. 5 is a left side elevational view of the recycle bin assembly;

FIG. 6 is a right side elevational view of the recycle bin assembly;

FIG. 7 is a perspective view of the recycle bin assembly.

FIG. 8 is a front elevation view of the recycle bin assembly showing the new design according to a second related embodiment, with one bin removed for illustration.

FIG. 9 is a top plan view of the recycle bin assembly of FIG. 8, with one bin removed for illustration.

FIG. 10 is a back elevational view of the recycle bin assembly of FIG. 8, with one bin removed for illustration.

FIG. 11 is a bottom plan view of the recycle bin assembly of FIG. 8, with one bin removed for illustration.

FIG. 12 is a left side elevational view of the recycle bin assembly of FIG. 8, with one bin removed for illustration.

FIG. 13 is a right side elevational view of the recycle bin assembly of FIG. 8, with one bin removed for illustration.

FIG. 14 is a perspective view of the recycle bin assembly of FIG. 8, with one bin removed for illustration.

FIG. 15 is a front elevation view of the recycle bin assembly showing the new design according to a third related embodiment, with two bins removed for illustration.

FIG. 16 is a top plan view of the recycle bin assembly of FIG. 15, with two bins removed for illustration.

FIG. 17 is a back elevational view of the recycle bin assembly of FIG. 15, with two bins removed for illustration.

FIG. 18 is a bottom plan view of the recycle bin assembly of FIG. 15, with two bins removed for illustration.

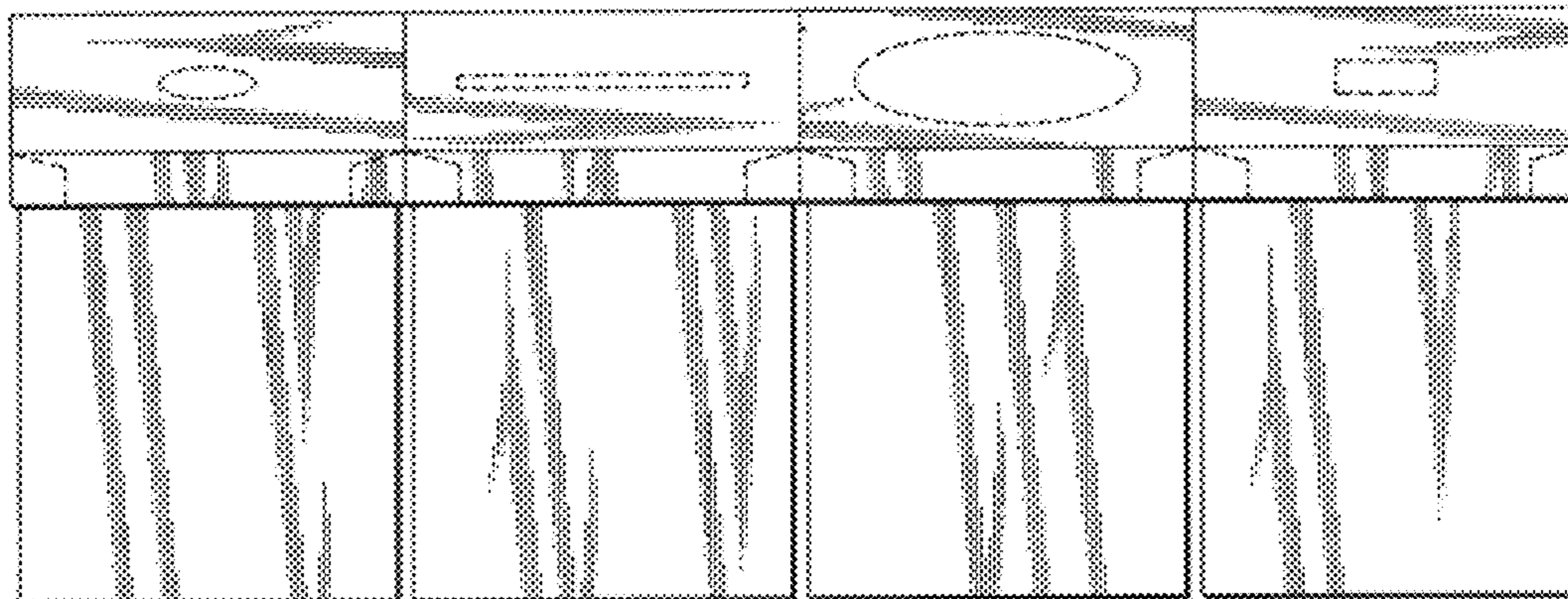
FIG. 19 is a left side elevational view of the recycle bin assembly of FIG. 15, with two bins removed for illustration.

FIG. 20 is a right side elevational view of the recycle bin assembly of FIG. 15, with two bins removed for illustration; and,

FIG. 21 is a perspective view of the recycle bin assembly of FIG. 15, with two bins removed for illustration.

The broken lines in the accompanying drawings are to show elements of the recycle bin assembly and form no part of the claimed design.

**1 Claim, 9 Drawing Sheets**



# US D668,414 S

Page 2

---

## U.S. PATENT DOCUMENTS

D328,375 S *	7/1992	Levine .....	D34/7	D602,668 S *	10/2009	Gardner .....	D34/7
D328,508 S *	8/1992	Crutchfield .....	D34/1	D618,415 S *	6/2010	Greseth et al. ....	D34/1
D335,012 S *	4/1993	Broussard .....	D34/7	D638,598 S *	5/2011	Ziech .....	D34/1
D339,438 S *	9/1993	Moran .....	D34/7	D639,518 S *	6/2011	Zeulner .....	D34/1
D349,380 S *	8/1994	Maturino .....	D34/7	D640,028 S *	6/2011	Gardner .....	D34/7
D434,223 S *	11/2000	Dombrowski .....	D3/273				

\* cited by examiner

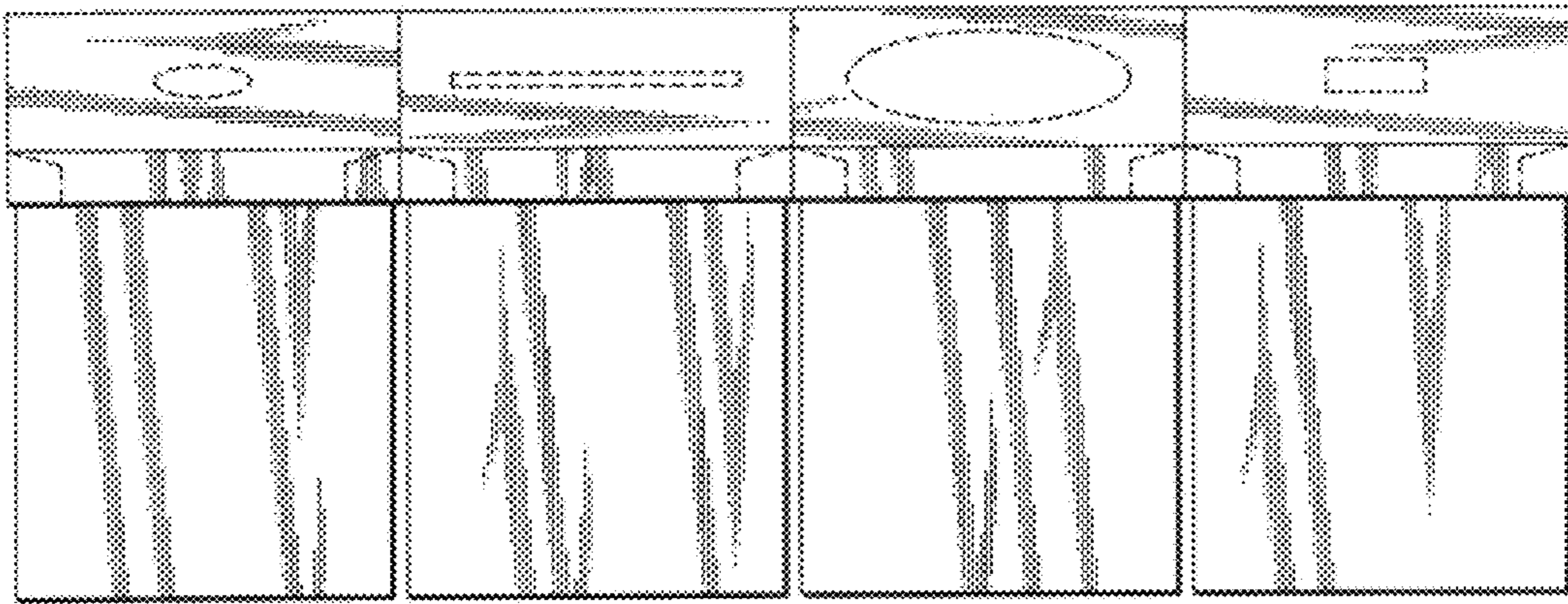


FIG. 1

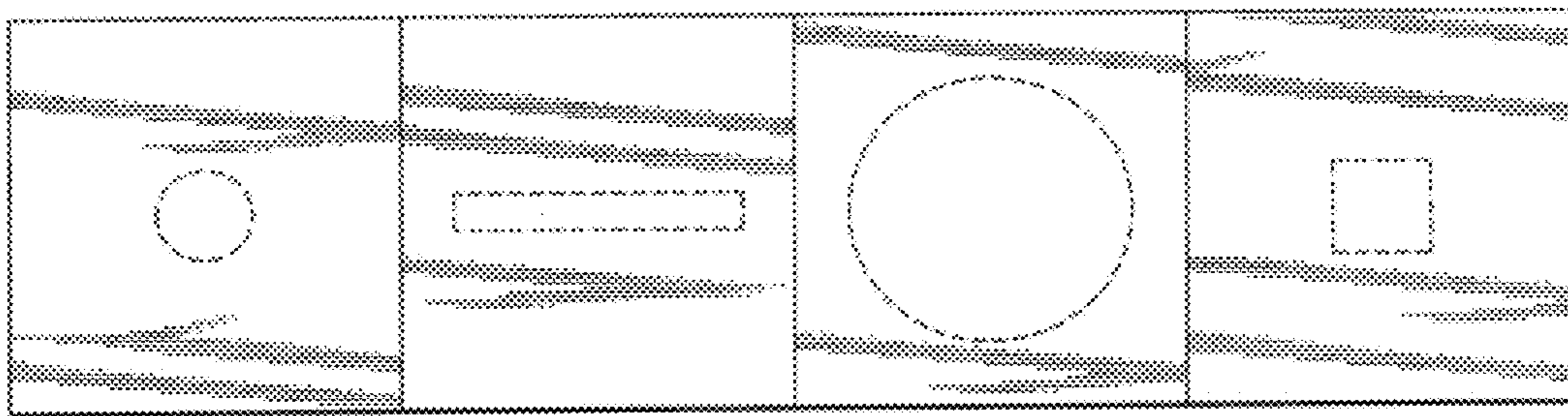


FIG. 2

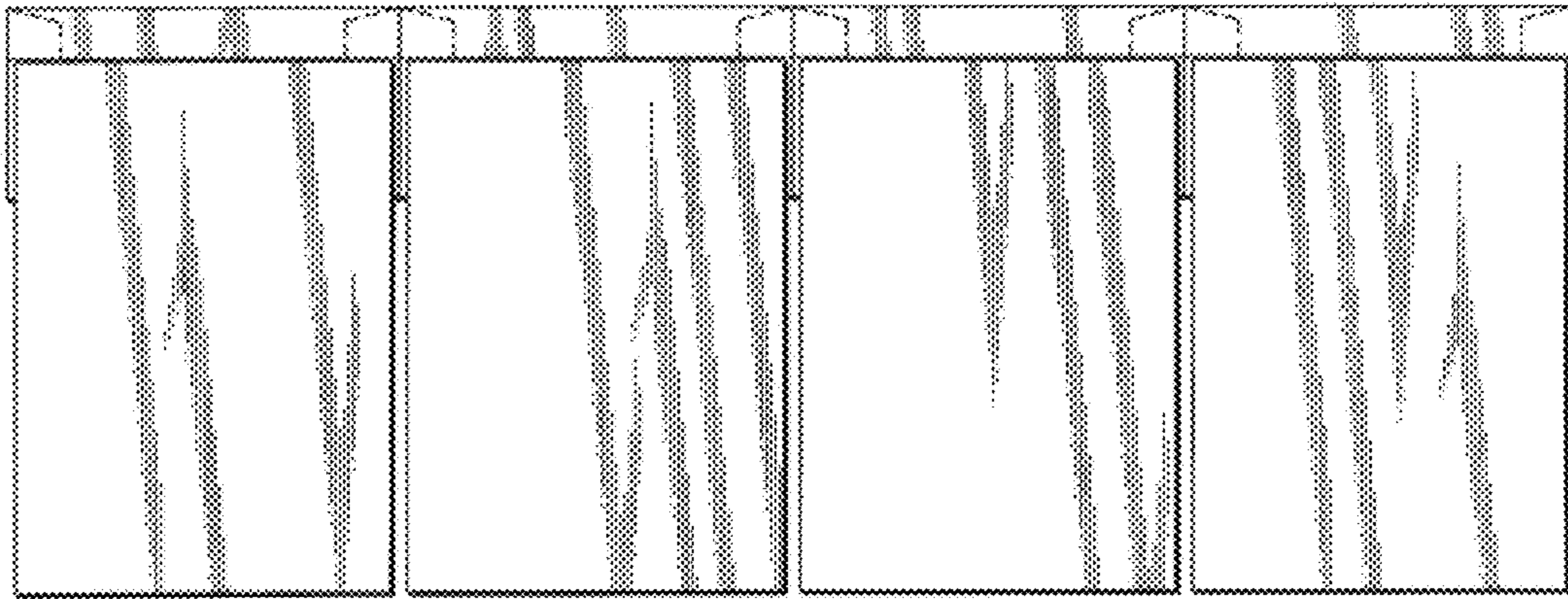


FIG. 3

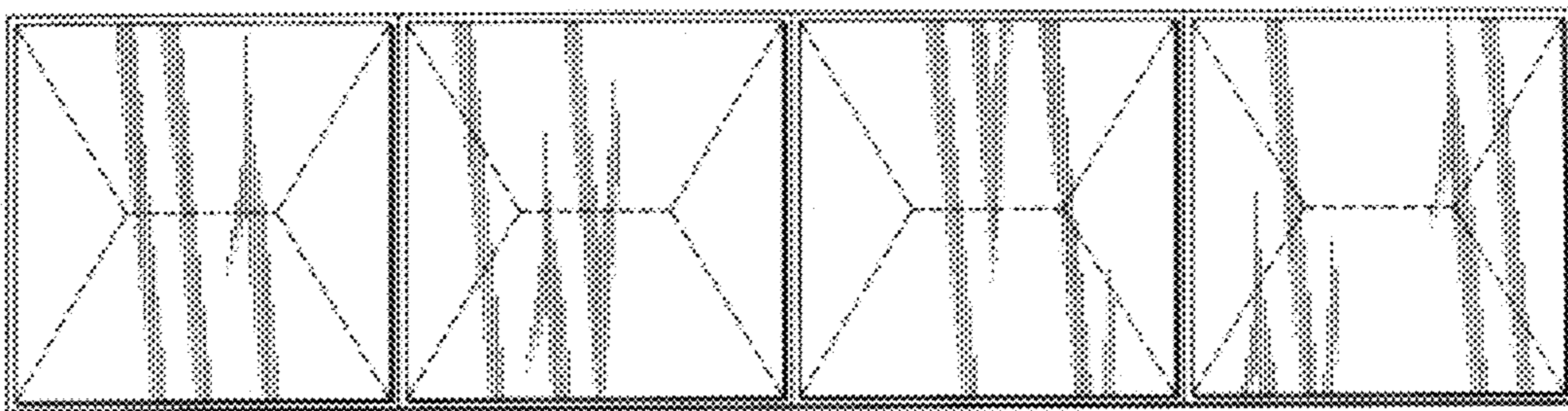


FIG. 4

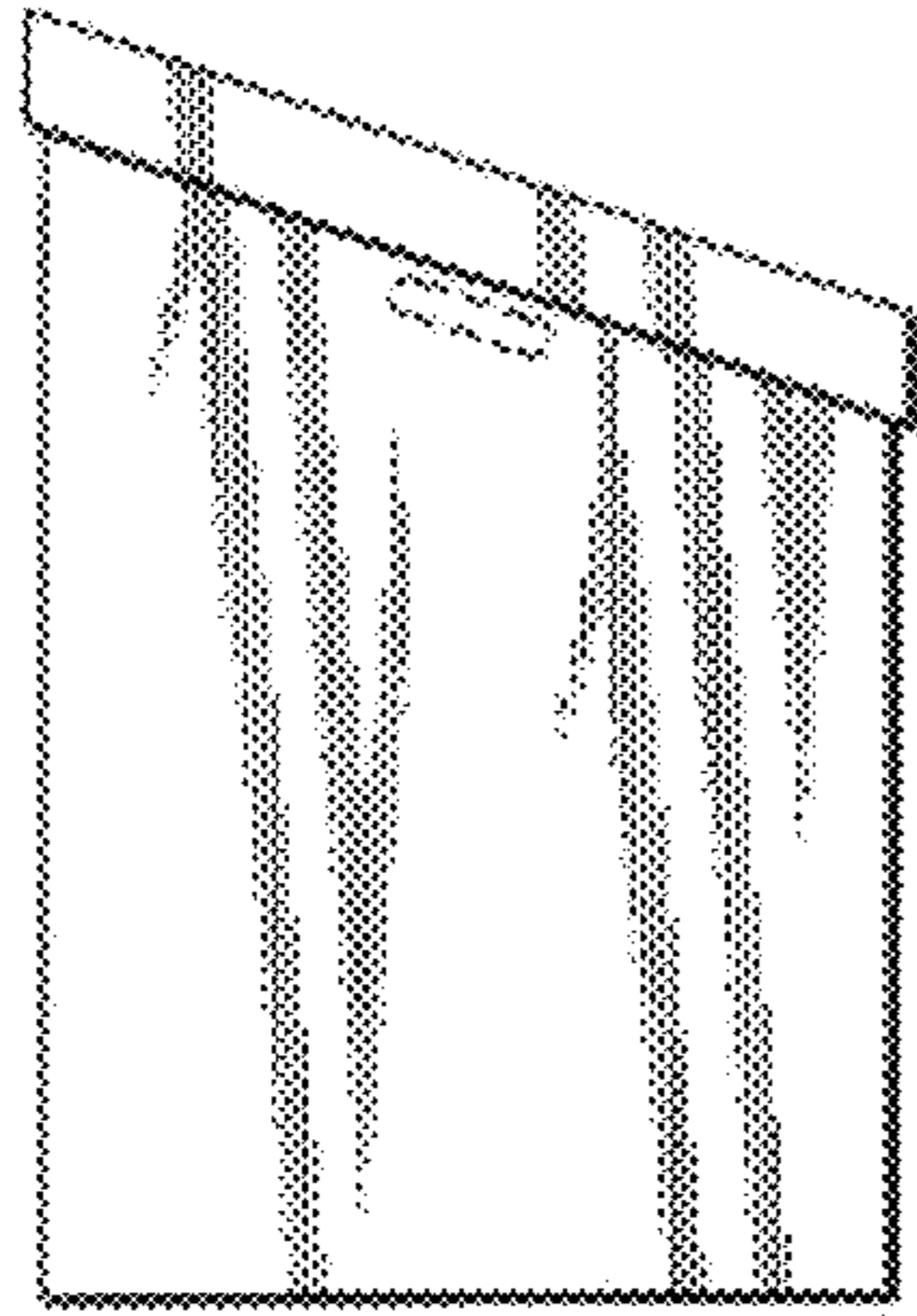


FIG. 5

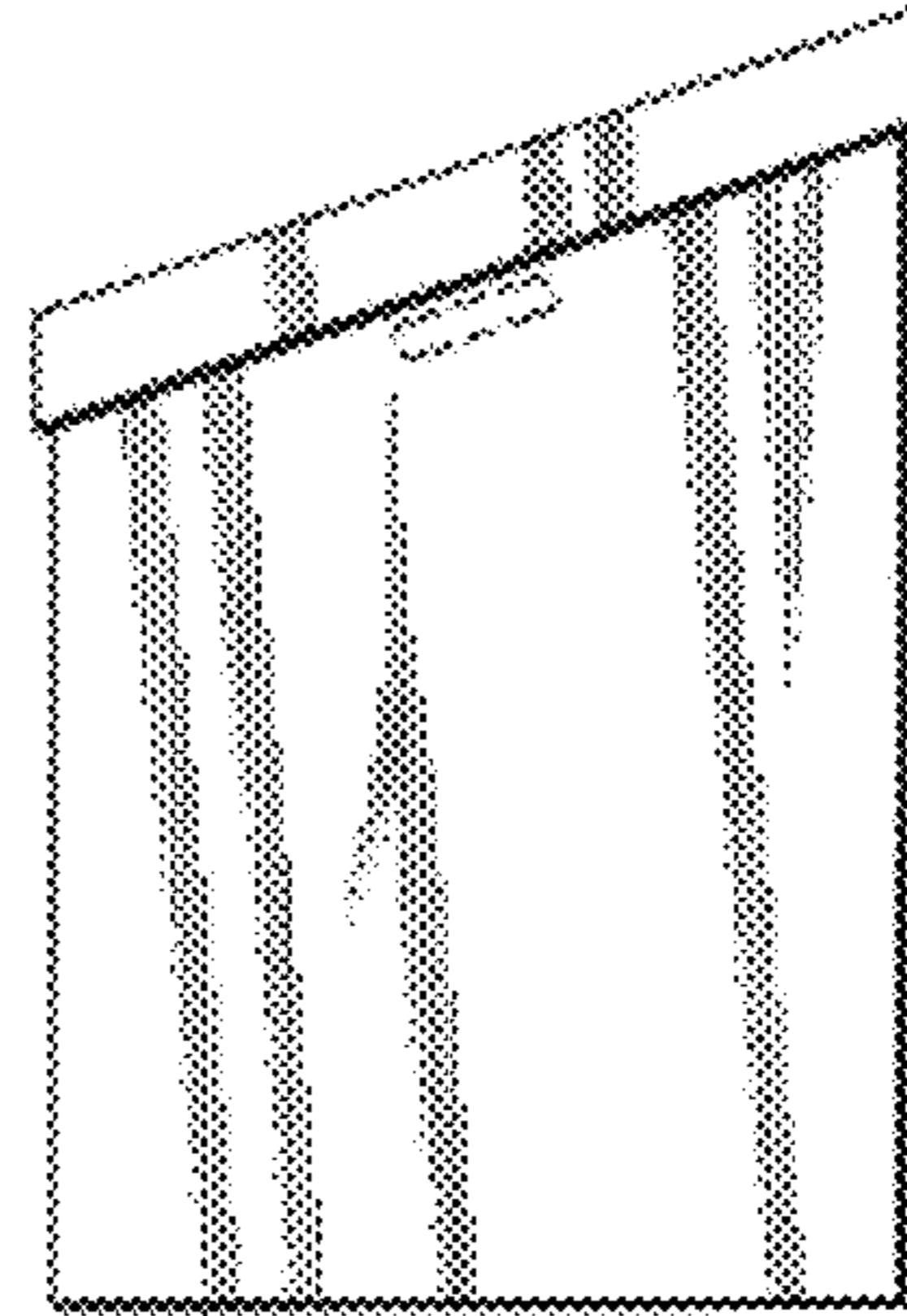


FIG. 6

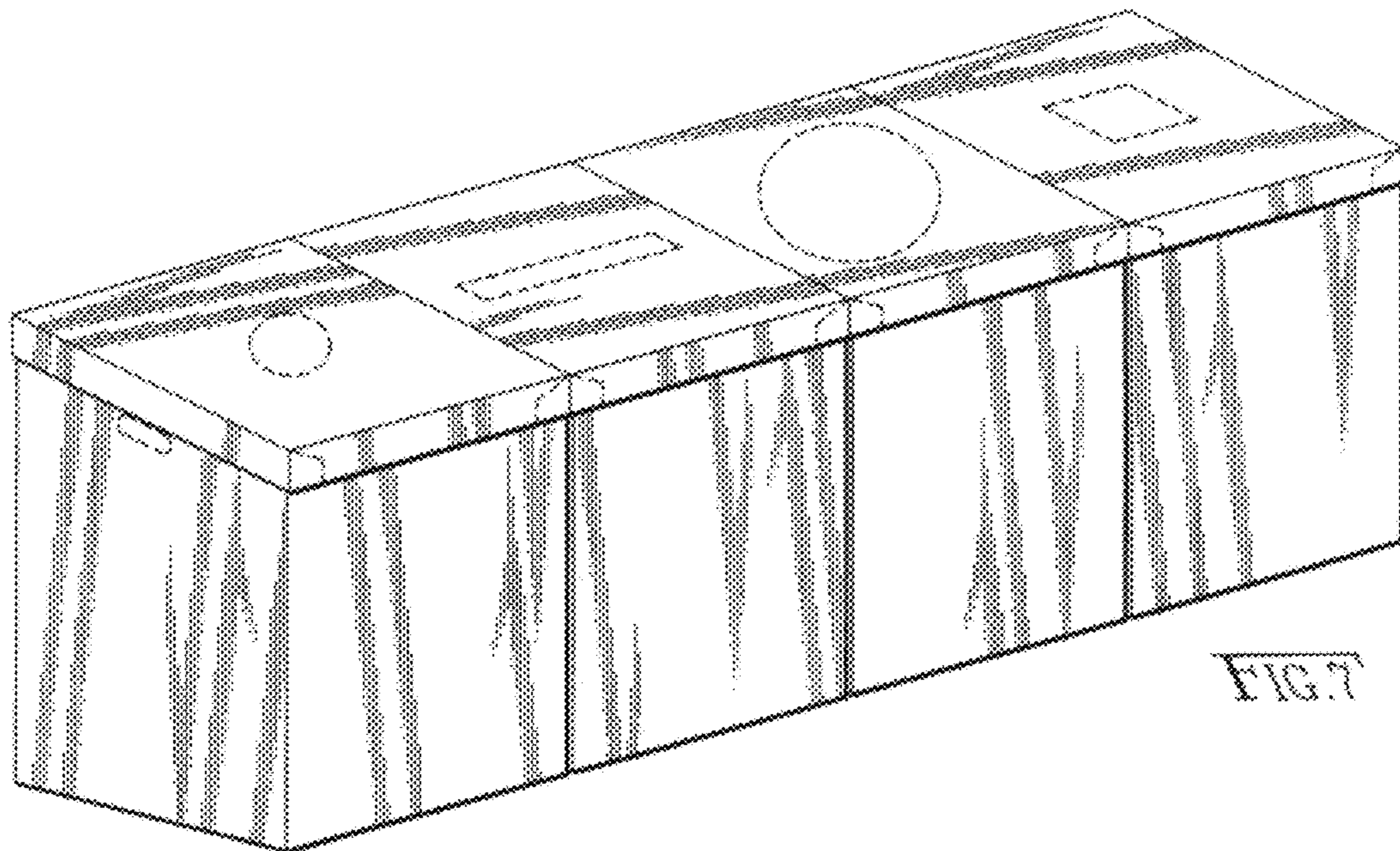


FIG. 7

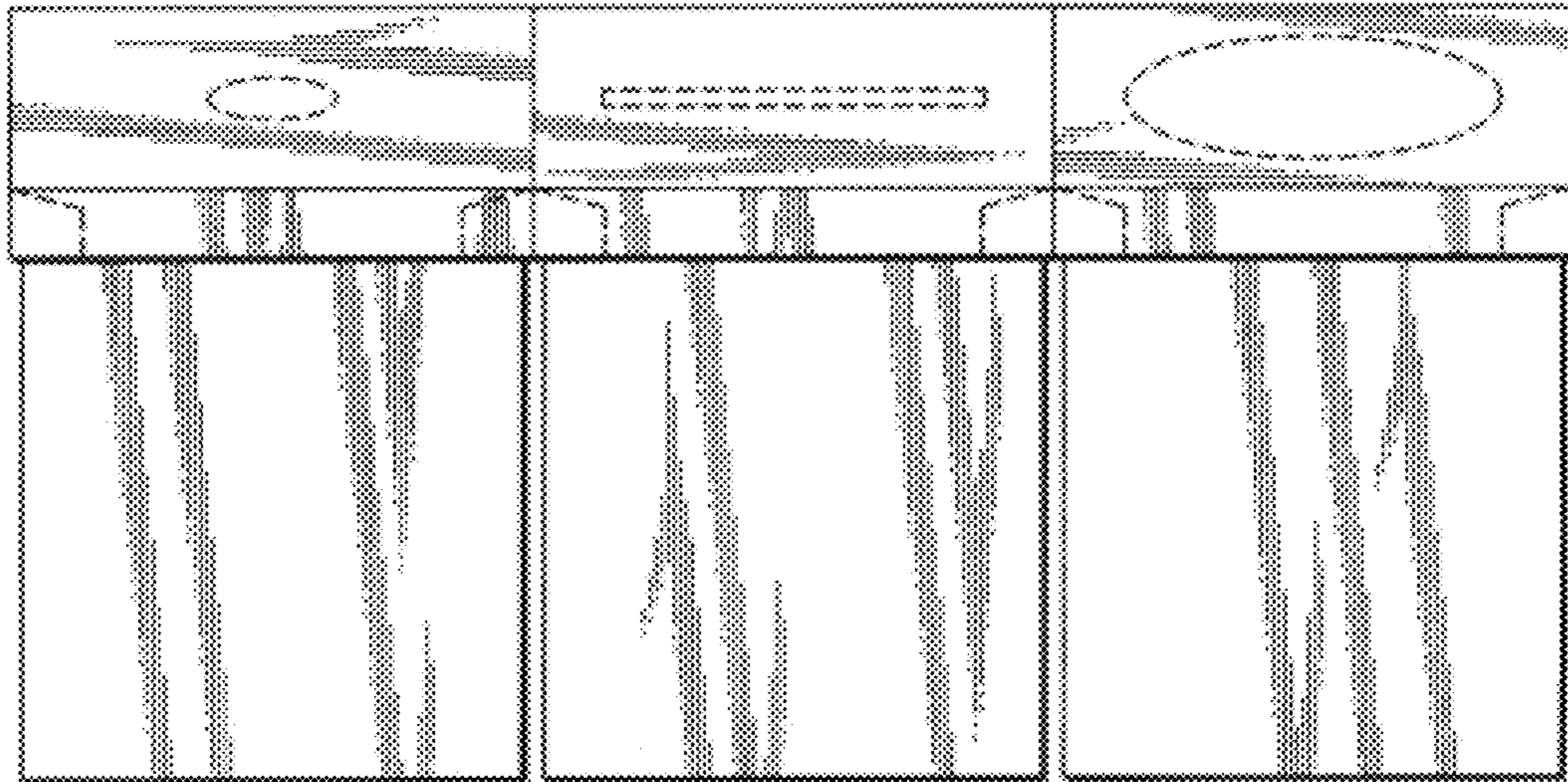


FIG. 8

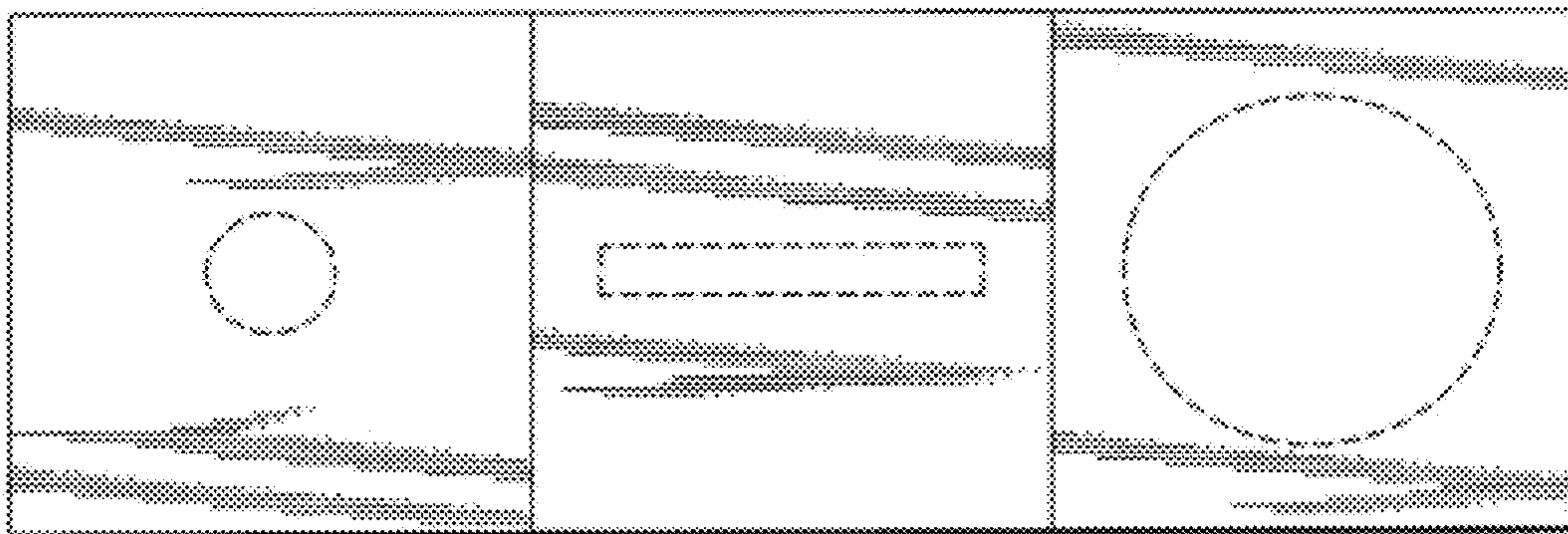


FIG. 9

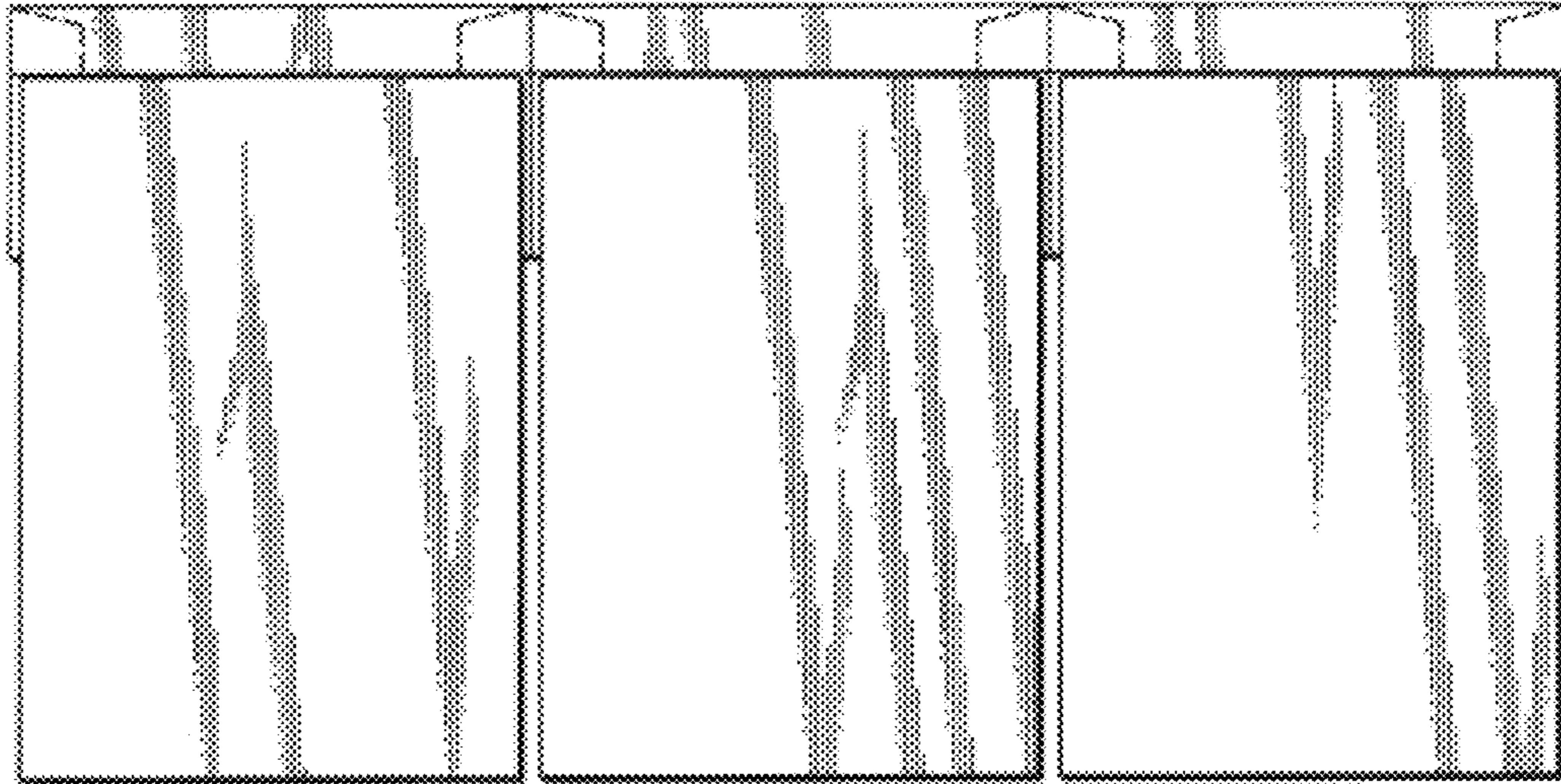


FIG. 10

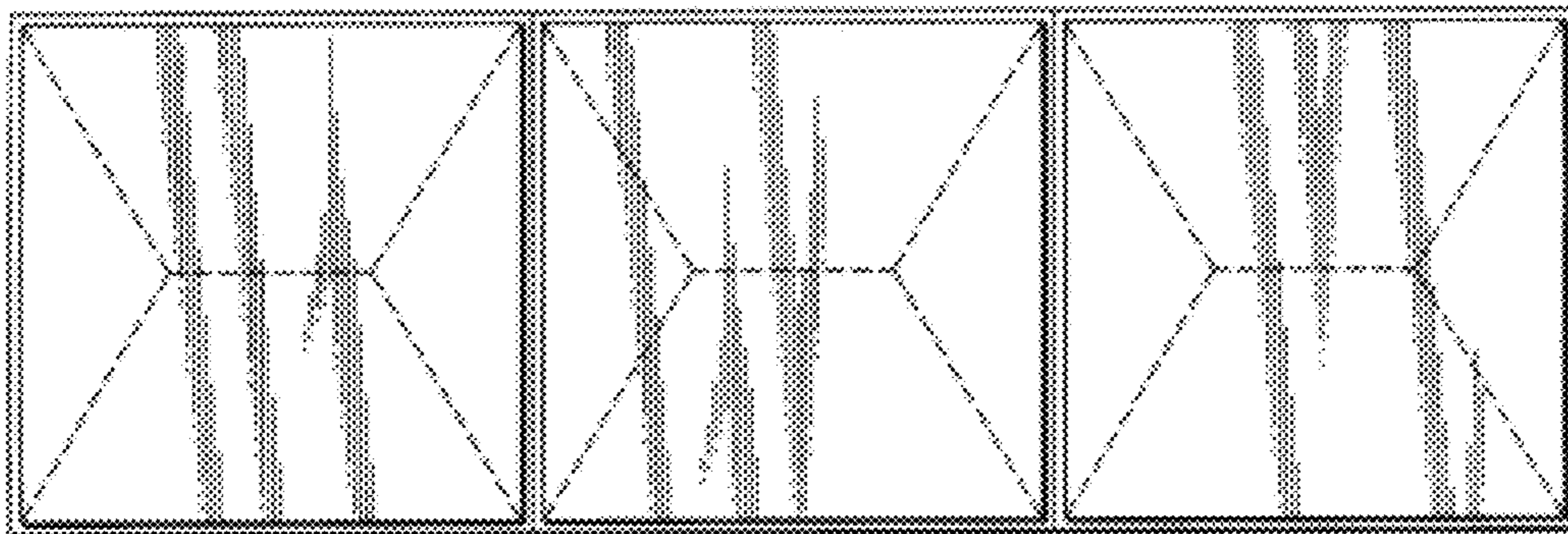


FIG. 11

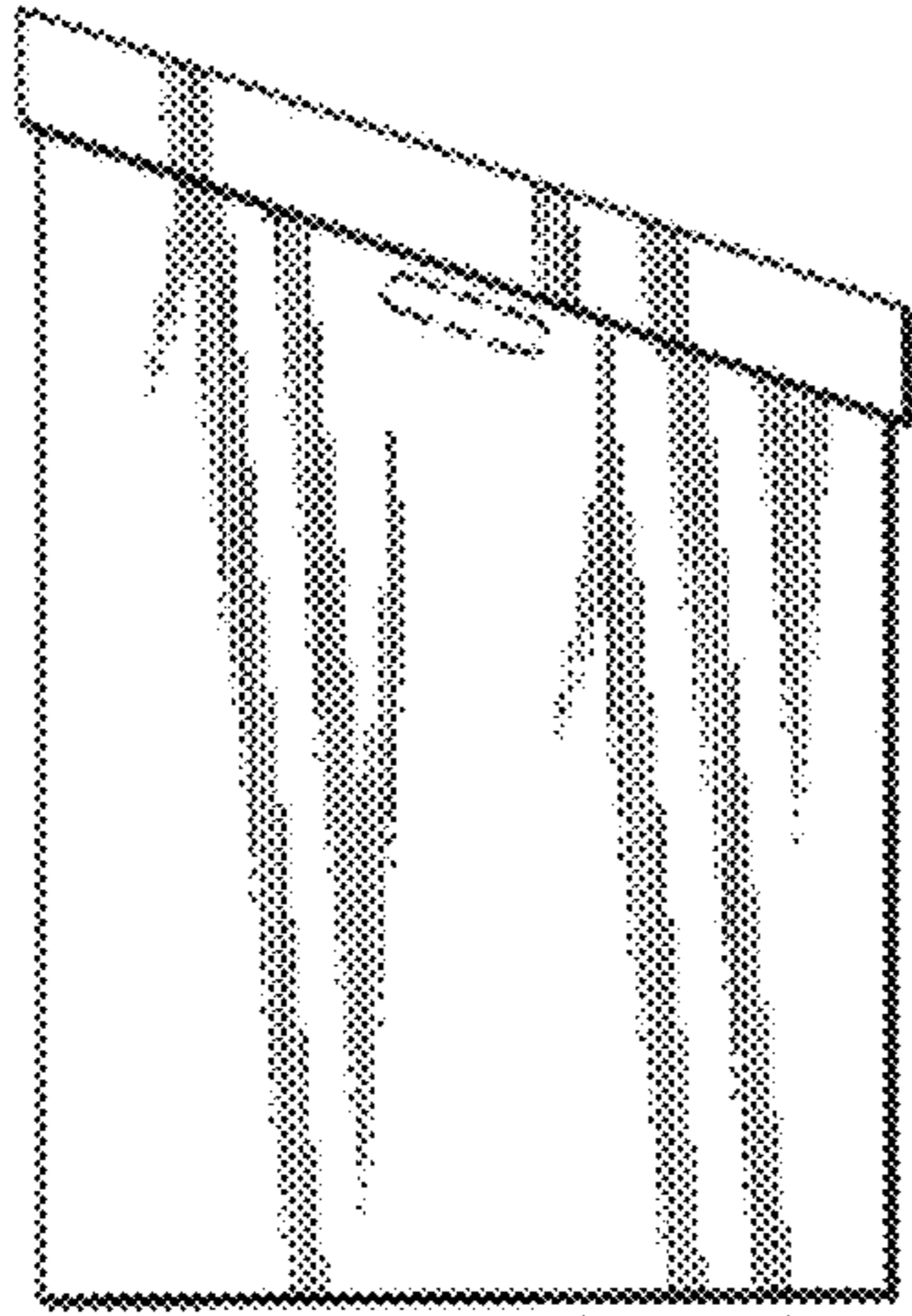


FIG. 12

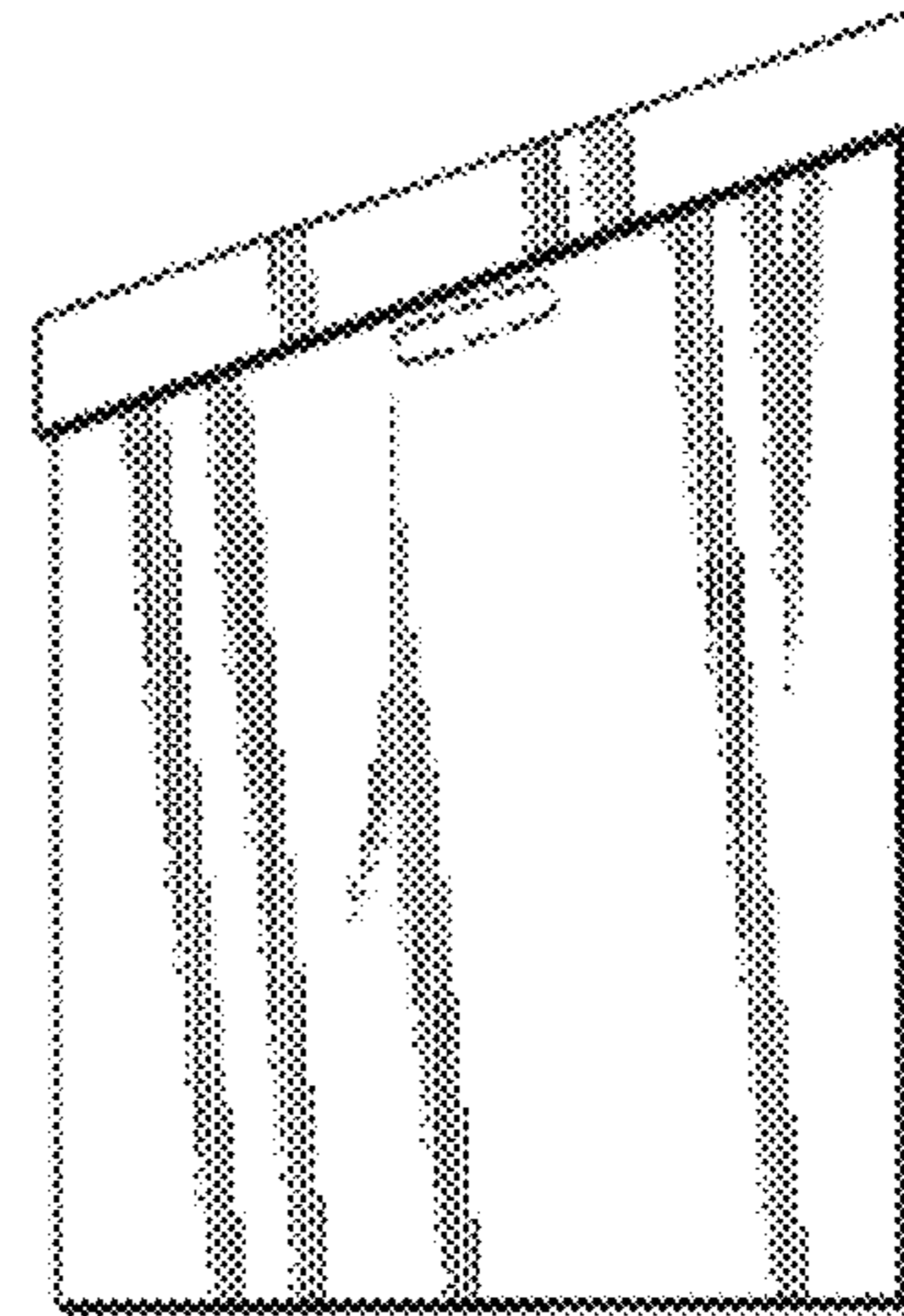


FIG. 13

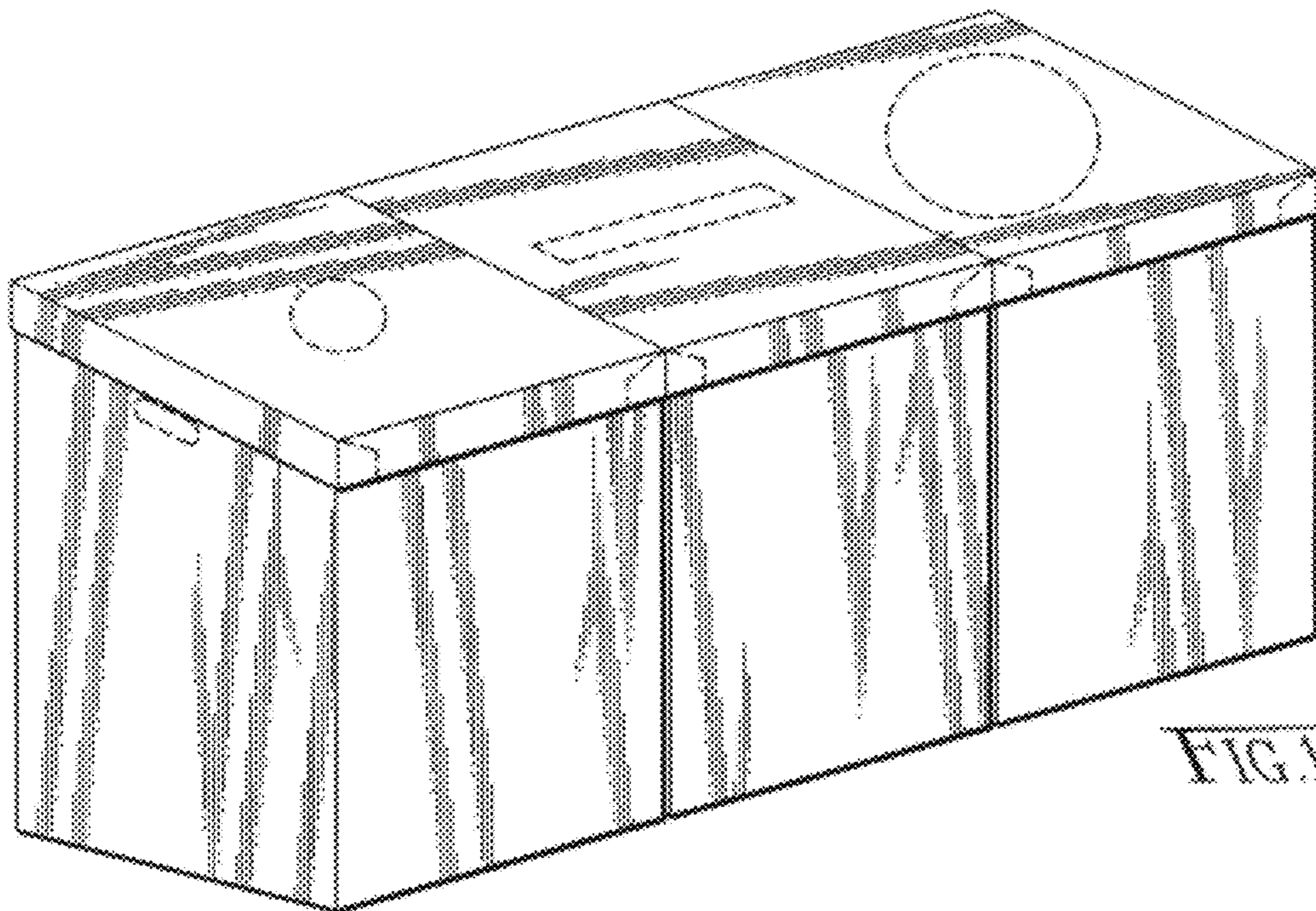


FIG. 14



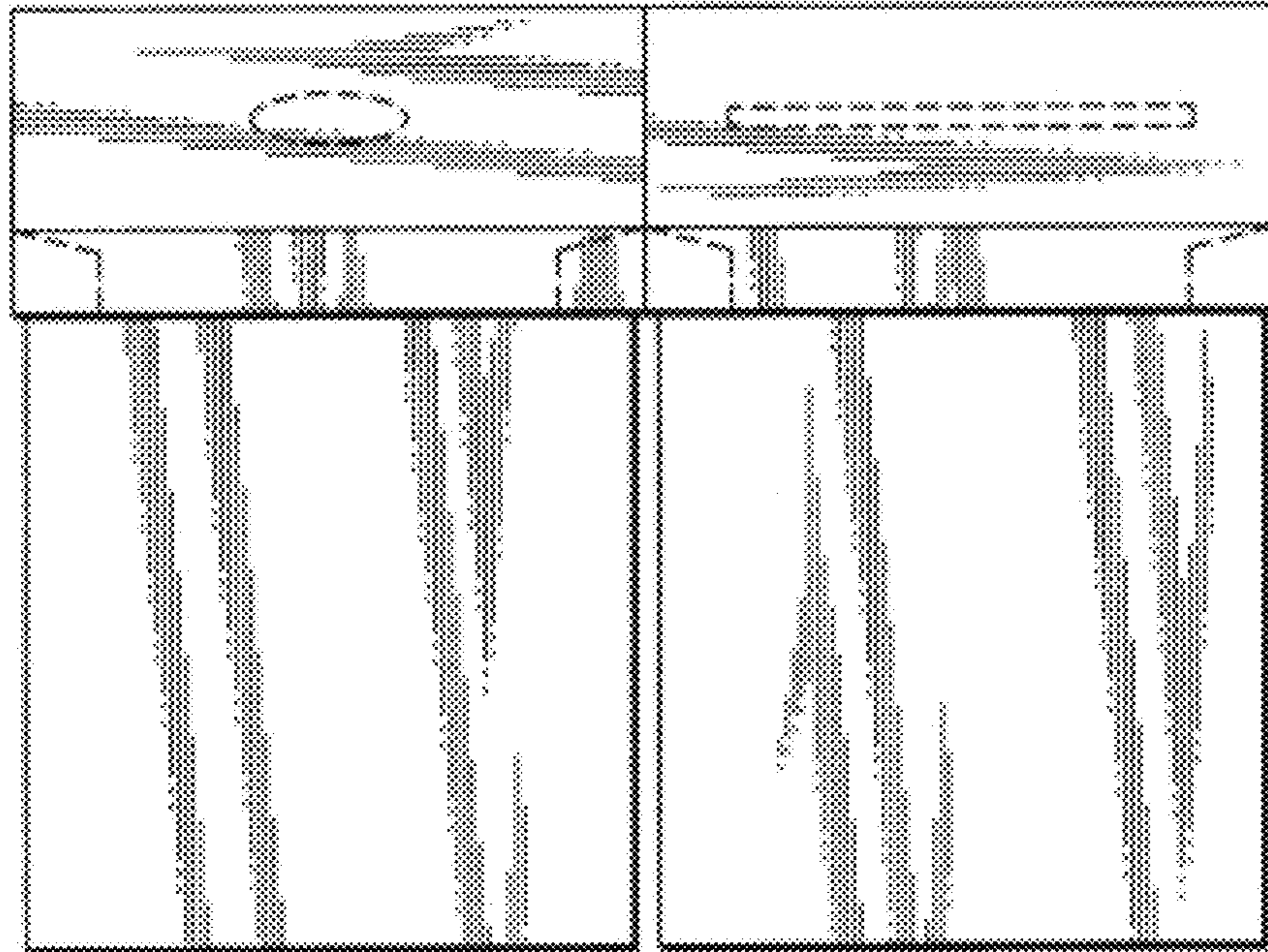


FIG. 15

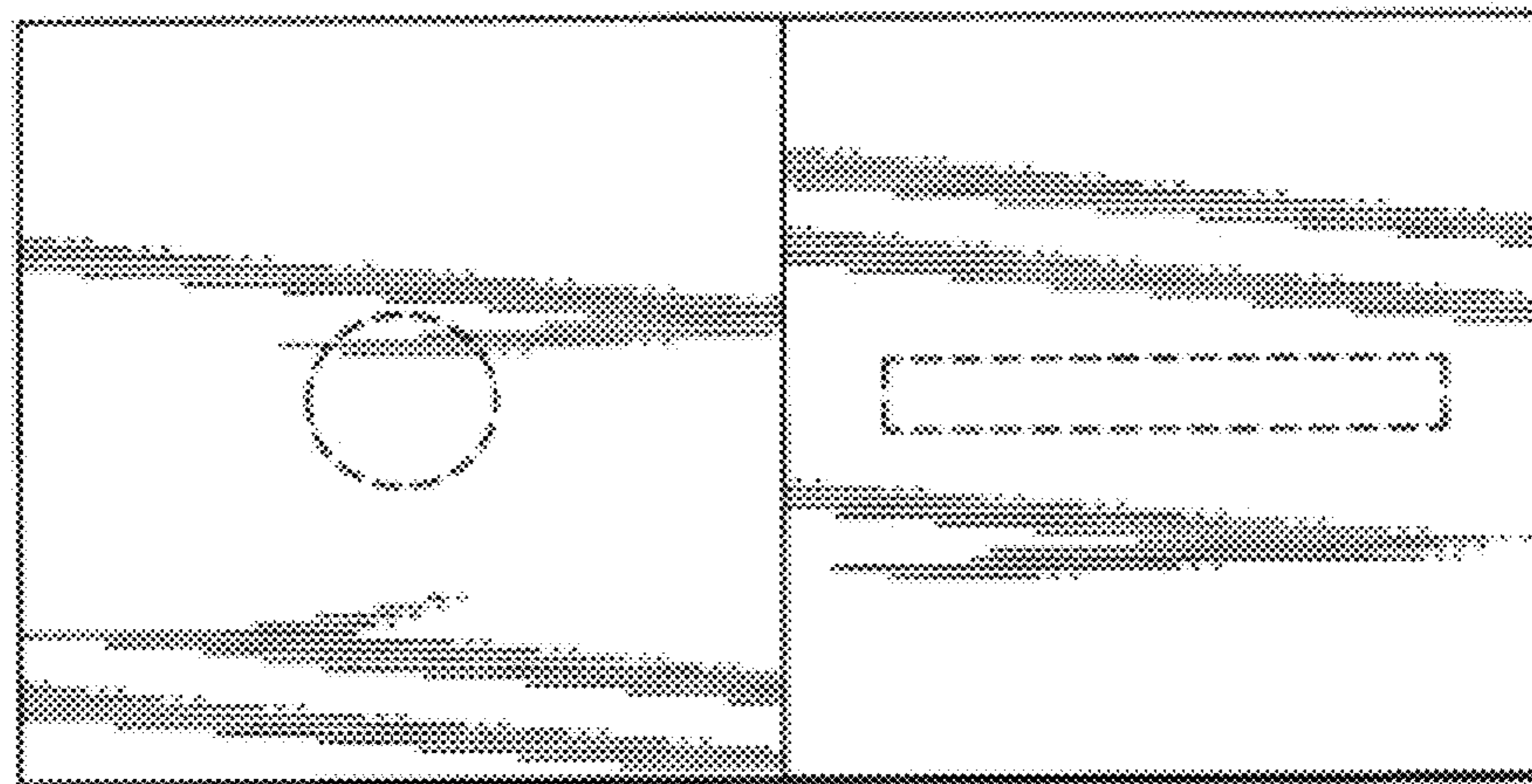


FIG. 16

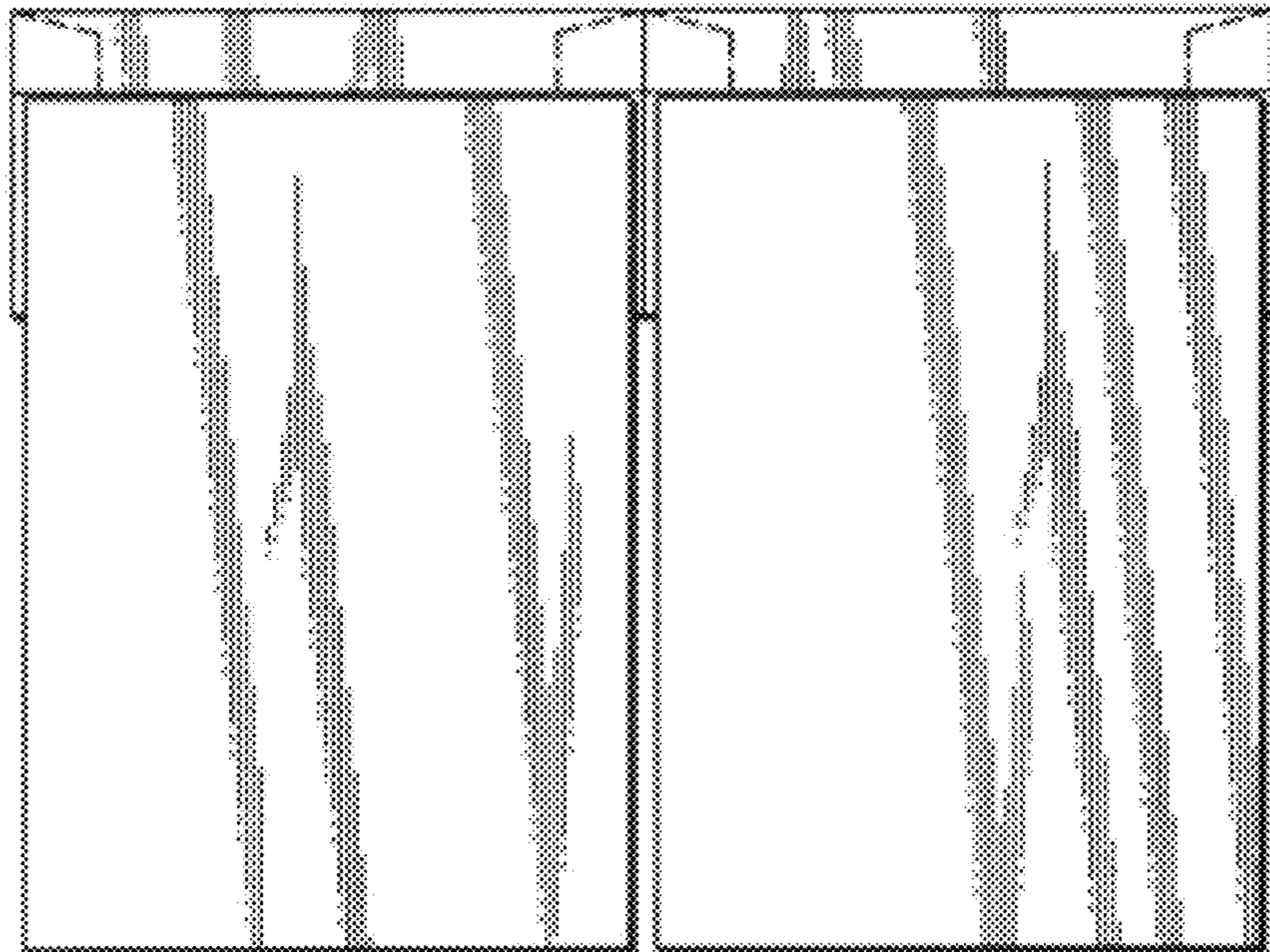


FIG. 17

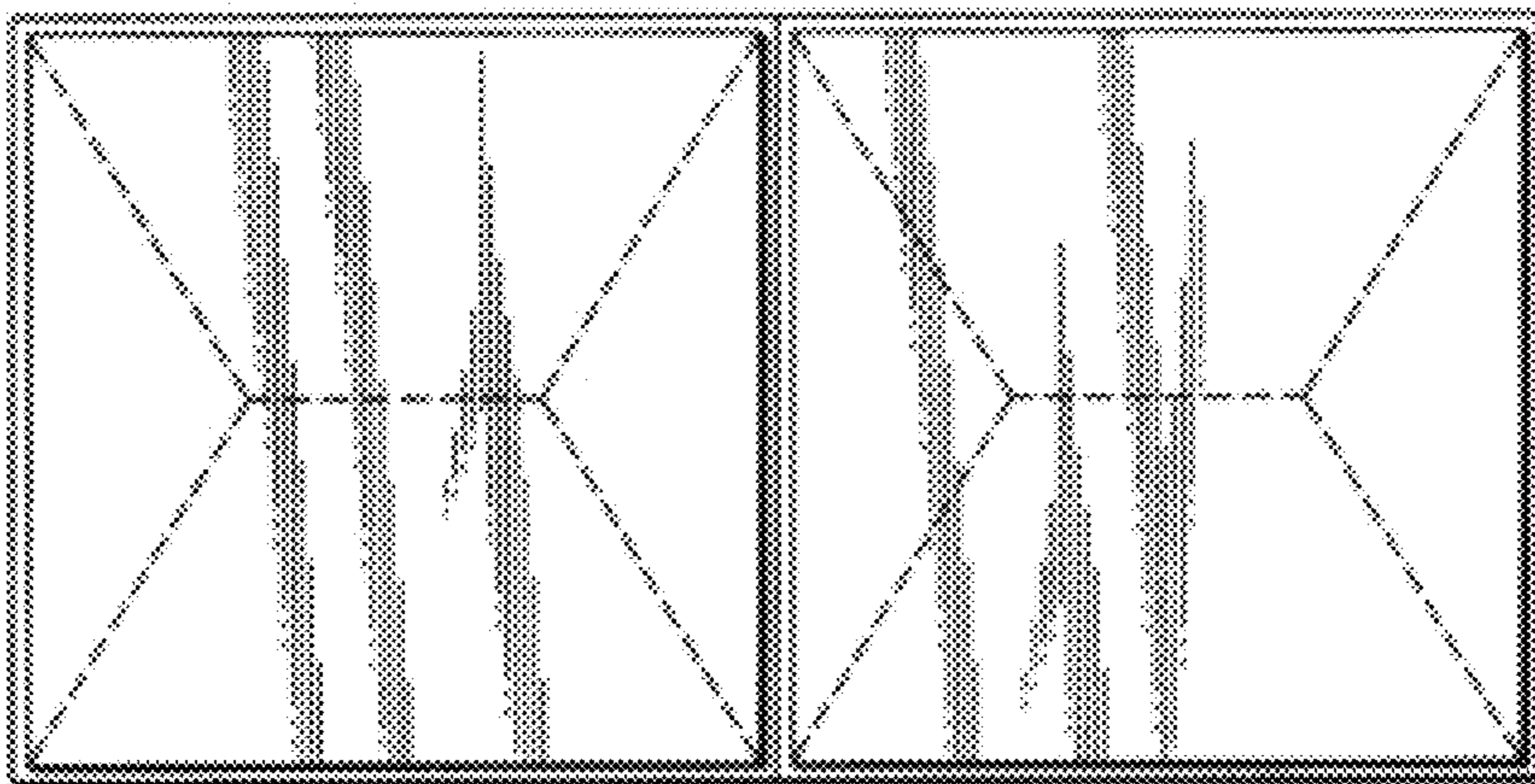


FIG. 18

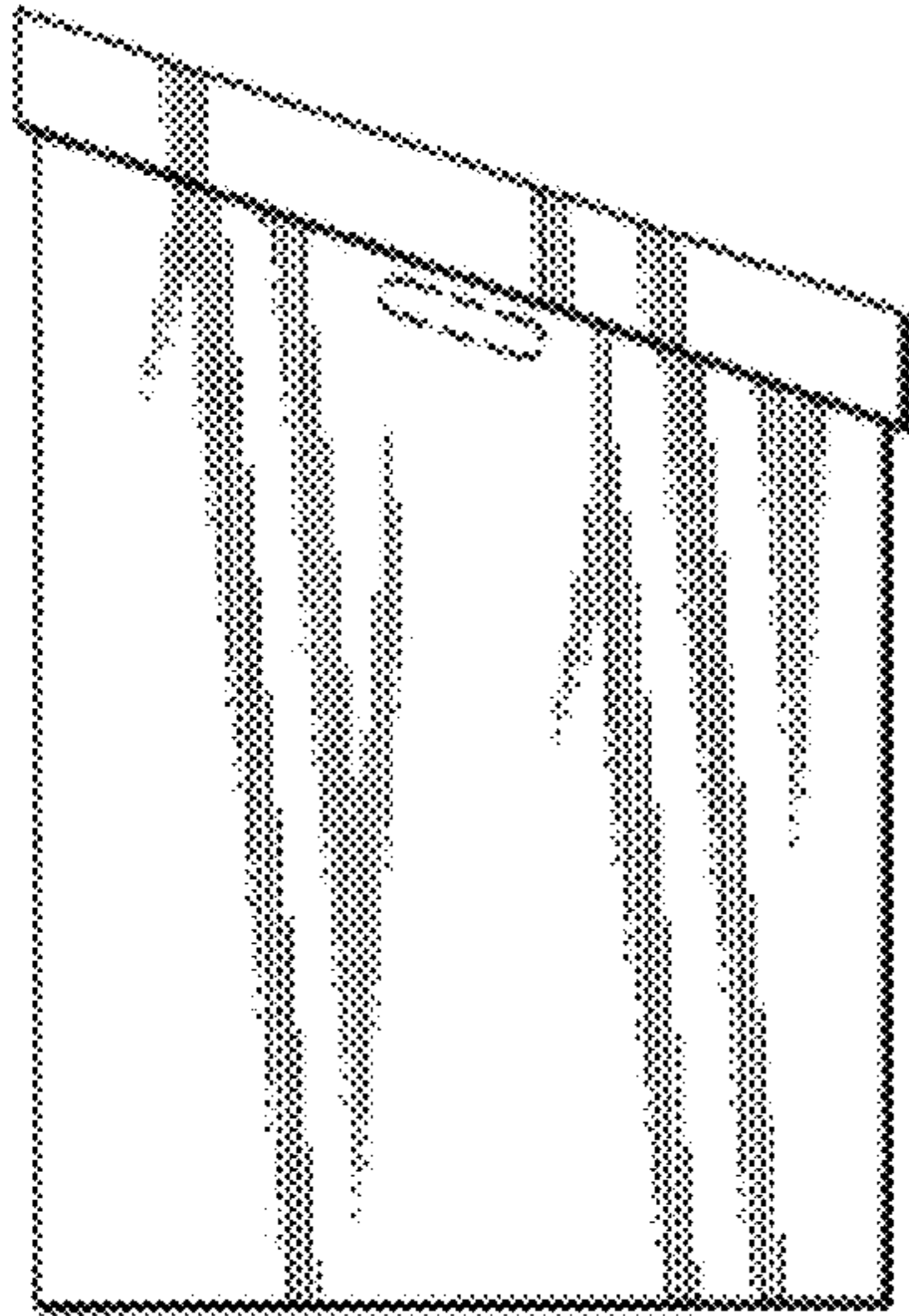


FIG. 19

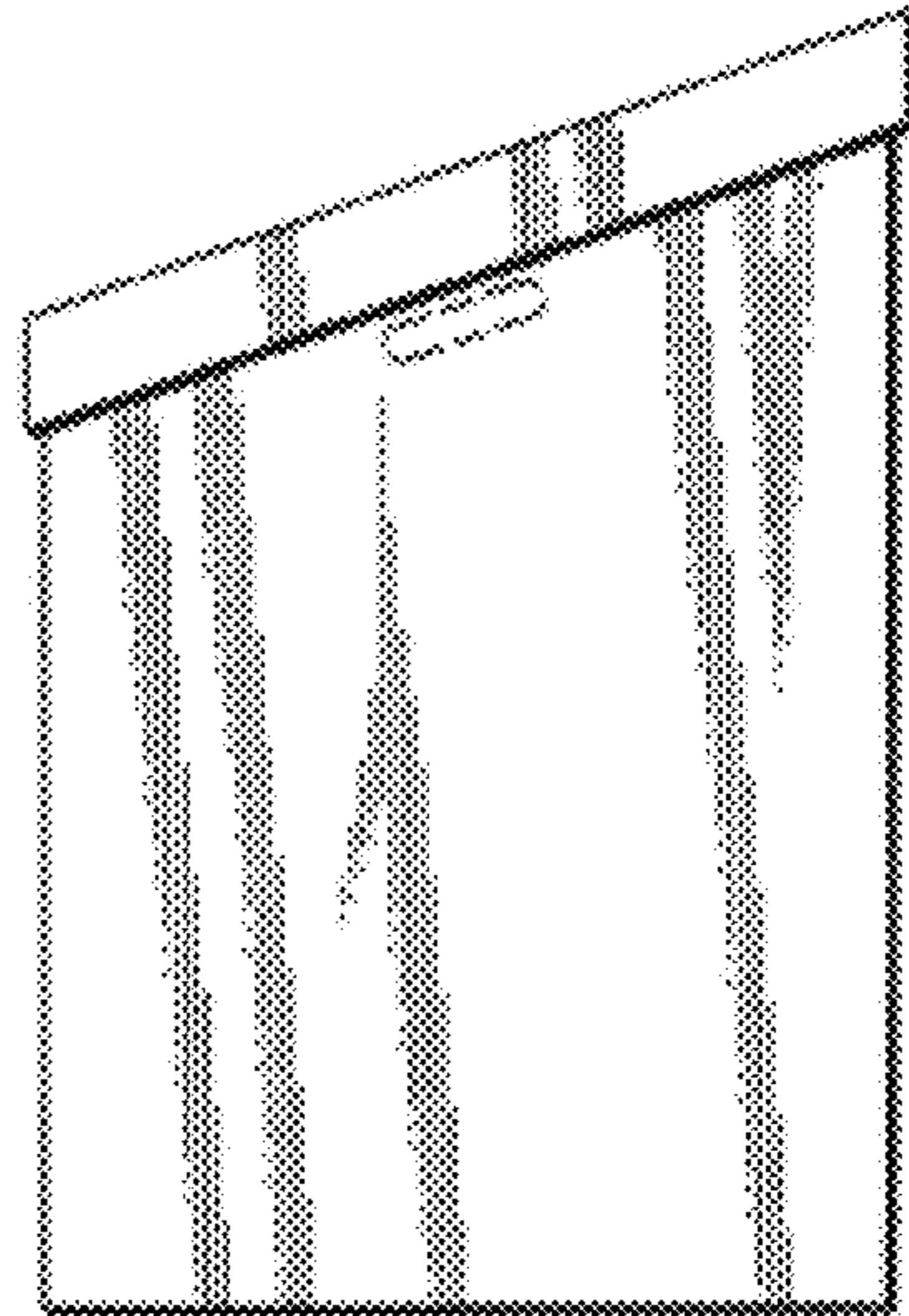


FIG. 20

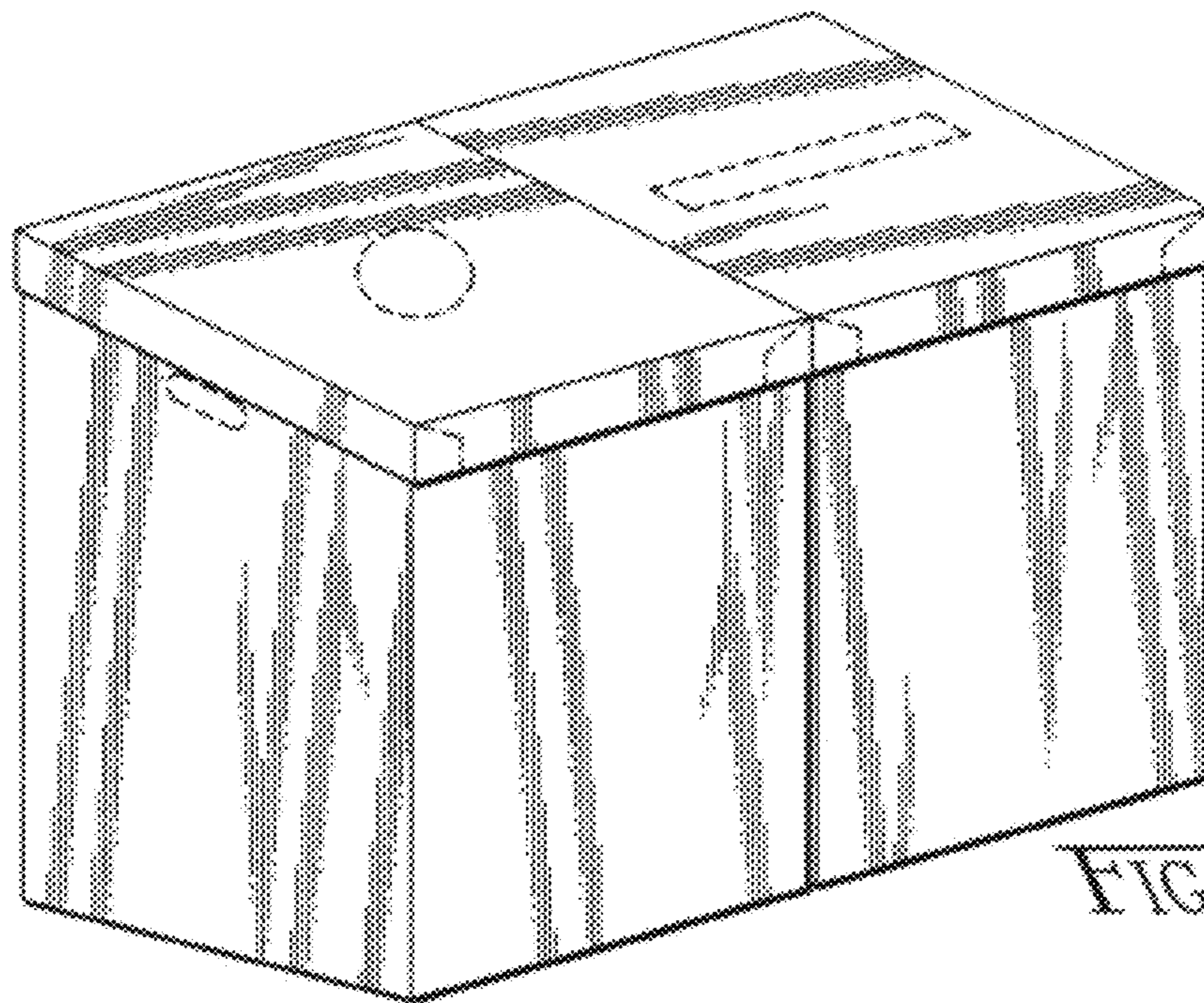


FIG. 21