

US00D668412S

(12) **United States Design Patent**
Bergman et al.

(10) **Patent No.:** **US D668,412 S**
(45) **Date of Patent:** **** Oct. 2, 2012**

(54) **PAINT TRAY**

(76) Inventors: **Mark W. Bergman**, Minnetonka, MN (US); **Christopher M. Bergman**, Hopkins, MN (US); **Matthew V. Leyden**, St. Paul, MN (US); **Jeffrey B. Waffensmith**, North Oaks, MN (US); **Jeffrey T. Given**, St. Paul, MN (US)

(**) Term: **14 Years**

(21) Appl. No.: **29/412,731**

(22) Filed: **Feb. 7, 2012**

Related U.S. Application Data

(62) Division of application No. 29/356,266, filed on Feb. 23, 2010, now Pat. No. Des. 656,284, which is a division of application No. 29/345,396, filed on Oct. 15, 2009, now Pat. No. Des. 613,016, which is a division of application No. 29/332,142, filed on Feb. 10, 2009, now Pat. No. Des. 604,920.

(51) **LOC (9) Cl.** **07-07**

(52) **U.S. Cl.** **D32/53.1**

(58) **Field of Classification Search** D32/53, D32/53.1, 54; 15/257.01–257.06, 570
See application file for complete search history.

(56) **References Cited**

U.S. PATENT DOCUMENTS

| | | | |
|-----------|---|---------|-----------------|
| 2,922,176 | A | 1/1960 | Bernhardt |
| 2,950,032 | A | 8/1960 | Willis et al. |
| D193,382 | S | 8/1962 | Goetz |
| 3,157,902 | A | 11/1964 | Hardwick |
| D208,969 | S | 10/1967 | Paxton |
| D211,611 | S | 7/1968 | Fox, Jr. et al. |
| 3,828,389 | A | 8/1974 | Heisler |
| 3,947,135 | A | 3/1976 | Hawk |
| 4,023,702 | A | 5/1977 | McKnight |

| | | | |
|--------------|----|---------|----------------|
| 4,445,250 | A | 5/1984 | Seidl |
| D301,785 | S | 6/1989 | Goetz |
| D302,614 | S | 8/1989 | Beatty |
| 5,201,439 | A | 4/1993 | Davies |
| 6,019,241 | A | 2/2000 | Burns |
| D444,604 | S | 7/2001 | Hoffert et al. |
| 6,622,340 | B2 | 9/2003 | Rosa |
| 6,802,431 | B2 | 10/2004 | Schinkel |
| D524,501 | S | 7/2006 | Prokop et al. |
| D526,748 | S | 8/2006 | Van Skiver |
| 7,083,044 | B1 | 8/2006 | Kilian et al. |
| 7,134,576 | B2 | 11/2006 | Gringer et al. |
| D553,818 | S | 10/2007 | Moon |
| D569,567 | S | 5/2008 | Kohn |
| D571,969 | S | 6/2008 | Byers |
| D586,056 | S | 2/2009 | Shea |
| 2002/0005409 | A1 | 1/2002 | Rose |
| 2005/0252920 | A1 | 11/2005 | Cumming et al. |
| 2009/0127266 | A1 | 5/2009 | Arvinte et al. |

Primary Examiner — Robin V Webster

(74) *Attorney, Agent, or Firm* — James L. Young; Westman, Champlin & Kelly, P.A.

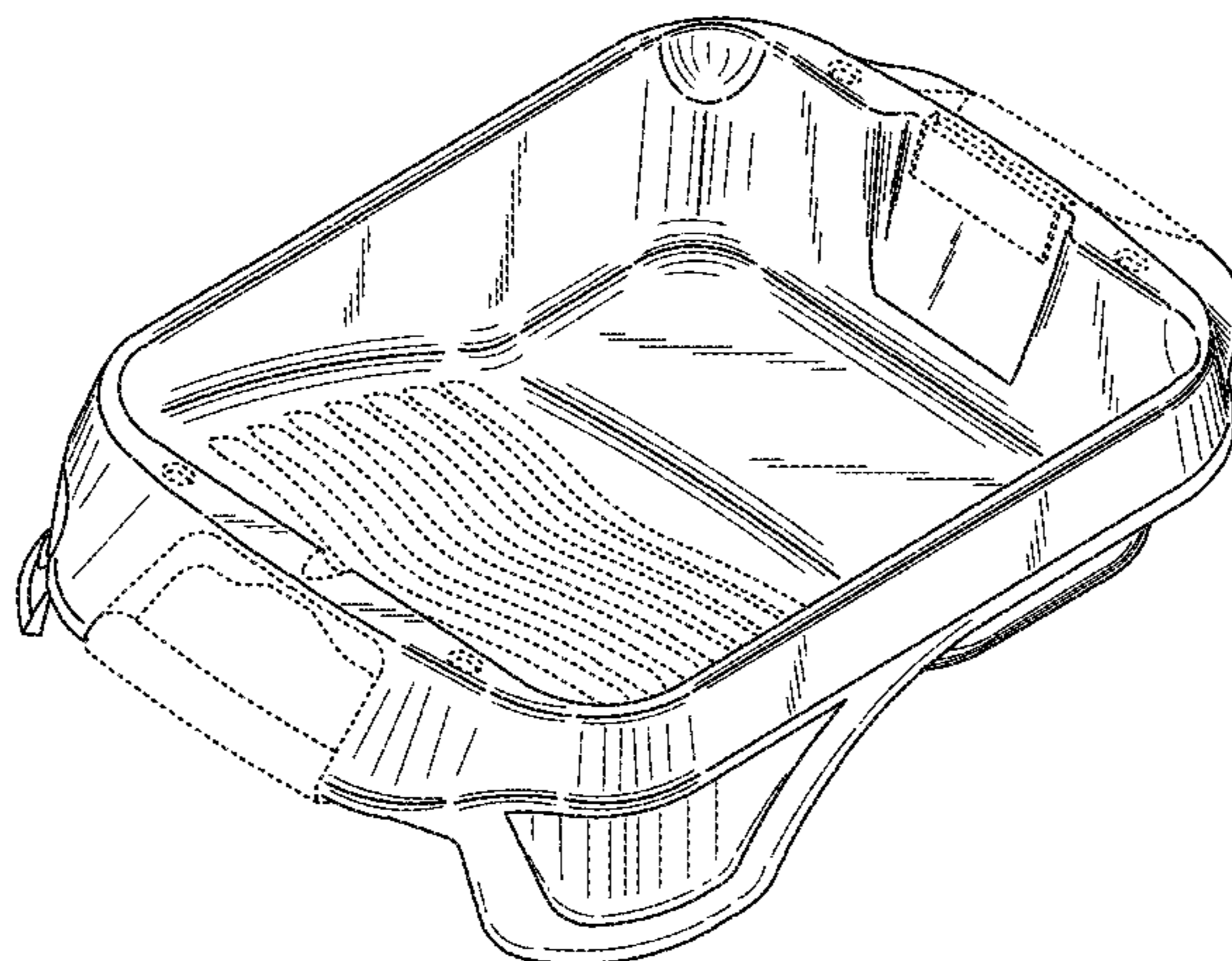
(57) **CLAIM**

The ornamental design for a paint tray, as shown and described.

DESCRIPTION

FIG. 1 is an isometric view of a paint tray;
FIG. 2 is a side view thereof, as taken from the left (unseen) side of FIG. 1;
FIG. 3 is a side view thereof, as taken from the right side of FIG. 1 (the side views are mirror images of one another);
FIG. 4 is a front end view thereof;
FIG. 5 is a rear end view thereof;
FIG. 6 is a top view thereof; and,
FIG. 7 is a bottom view thereof.
The broken lines in FIGS. 1-7 are for illustrative purposes only and form no part of the claimed design in those embodiments.

1 Claim, 5 Drawing Sheets



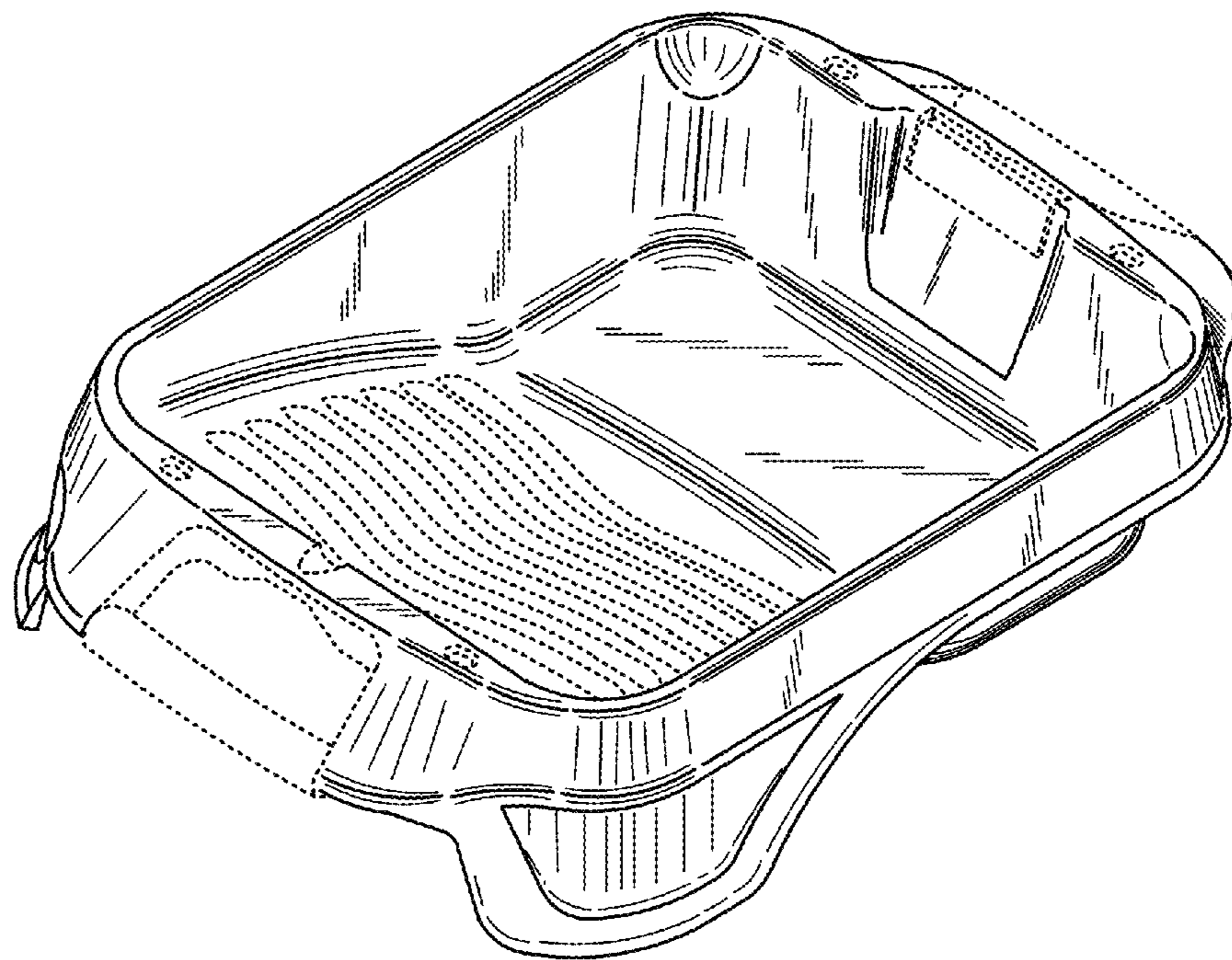


FIG. 1

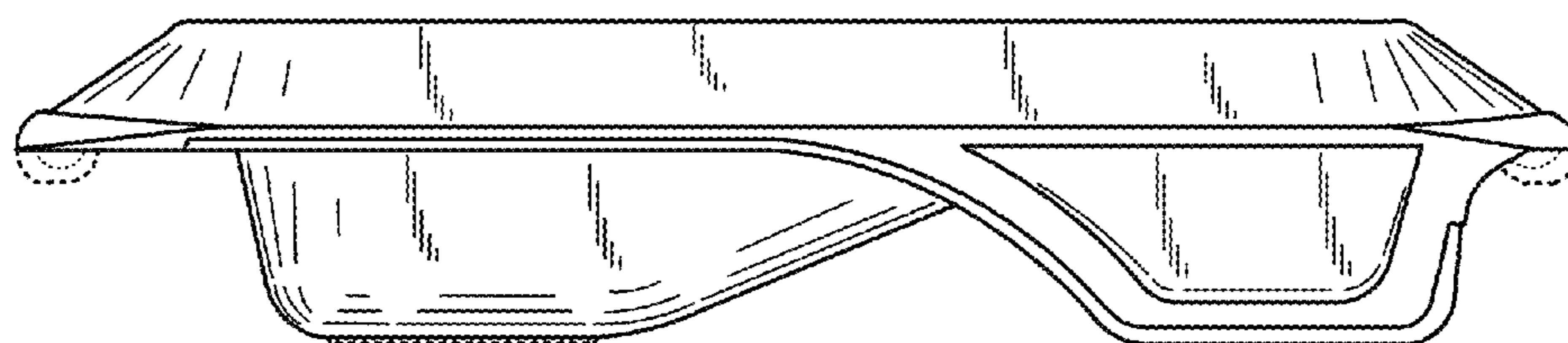


FIG. 2

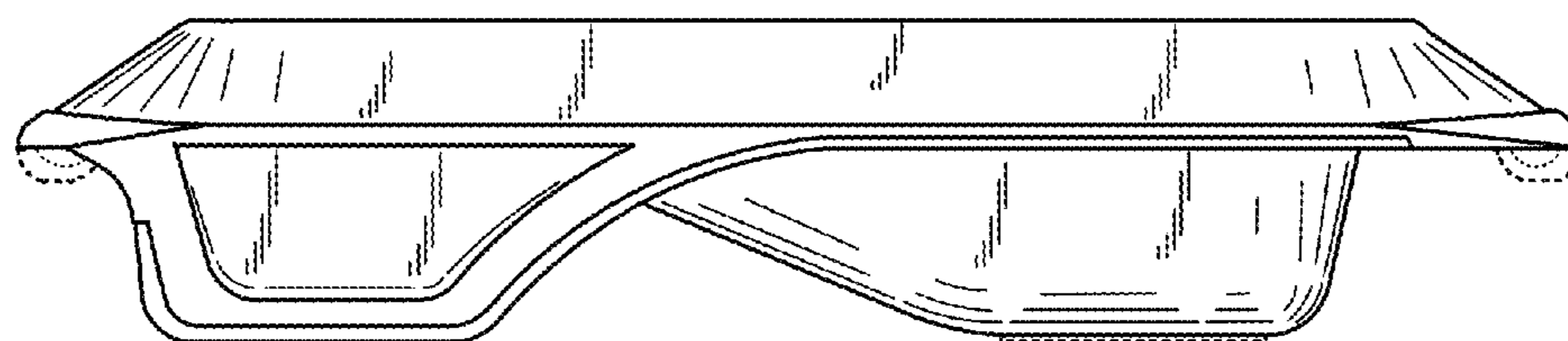


FIG. 3



FIG. 4

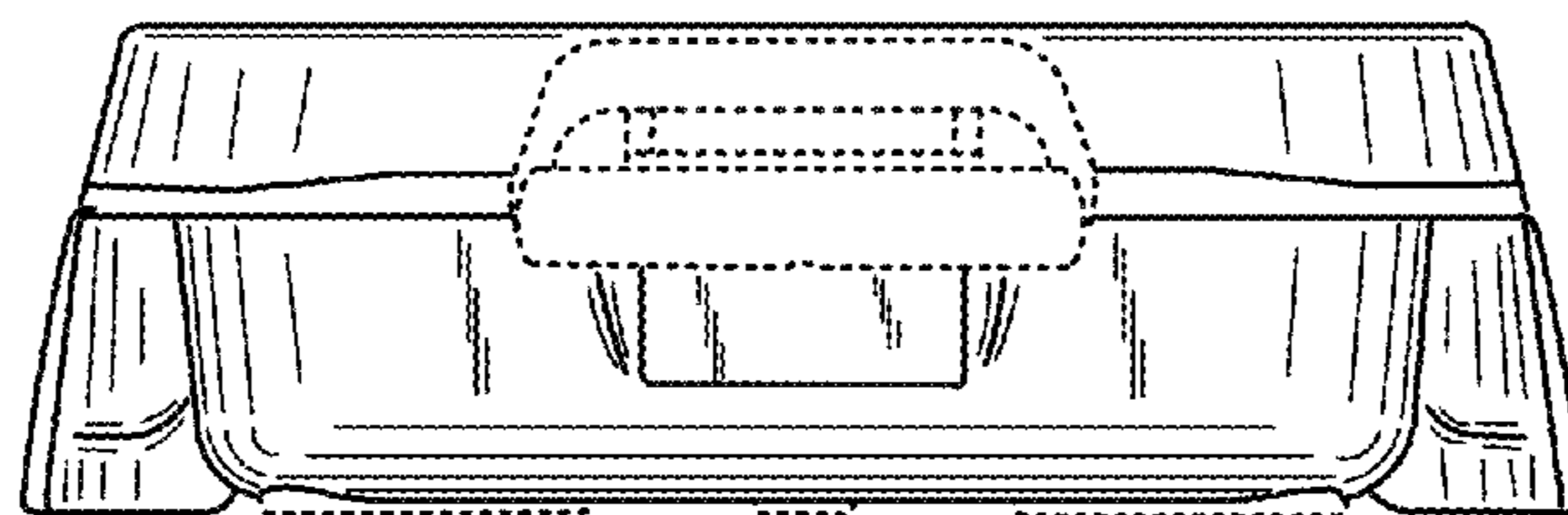


FIG. 5

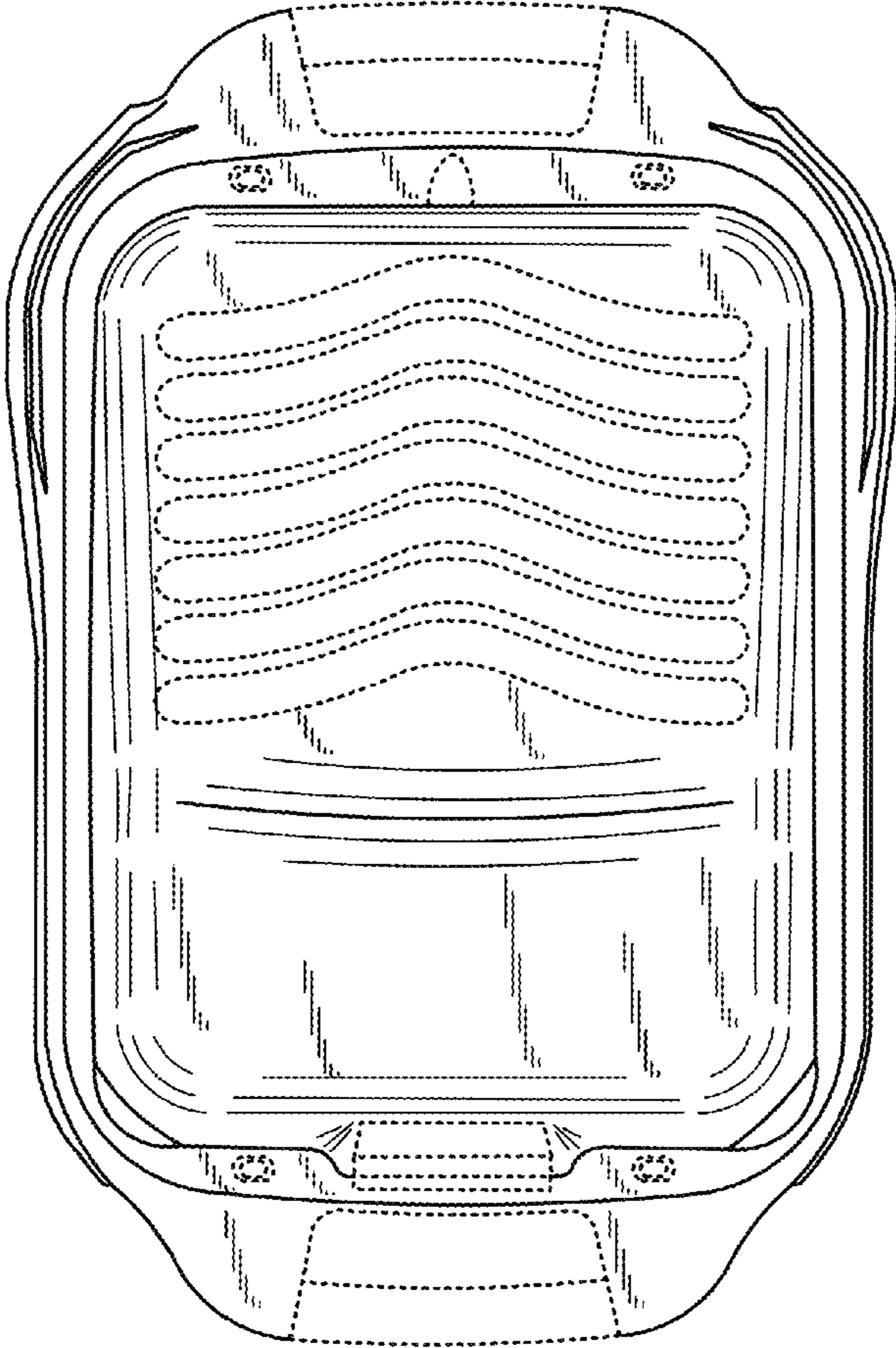


FIG. 6

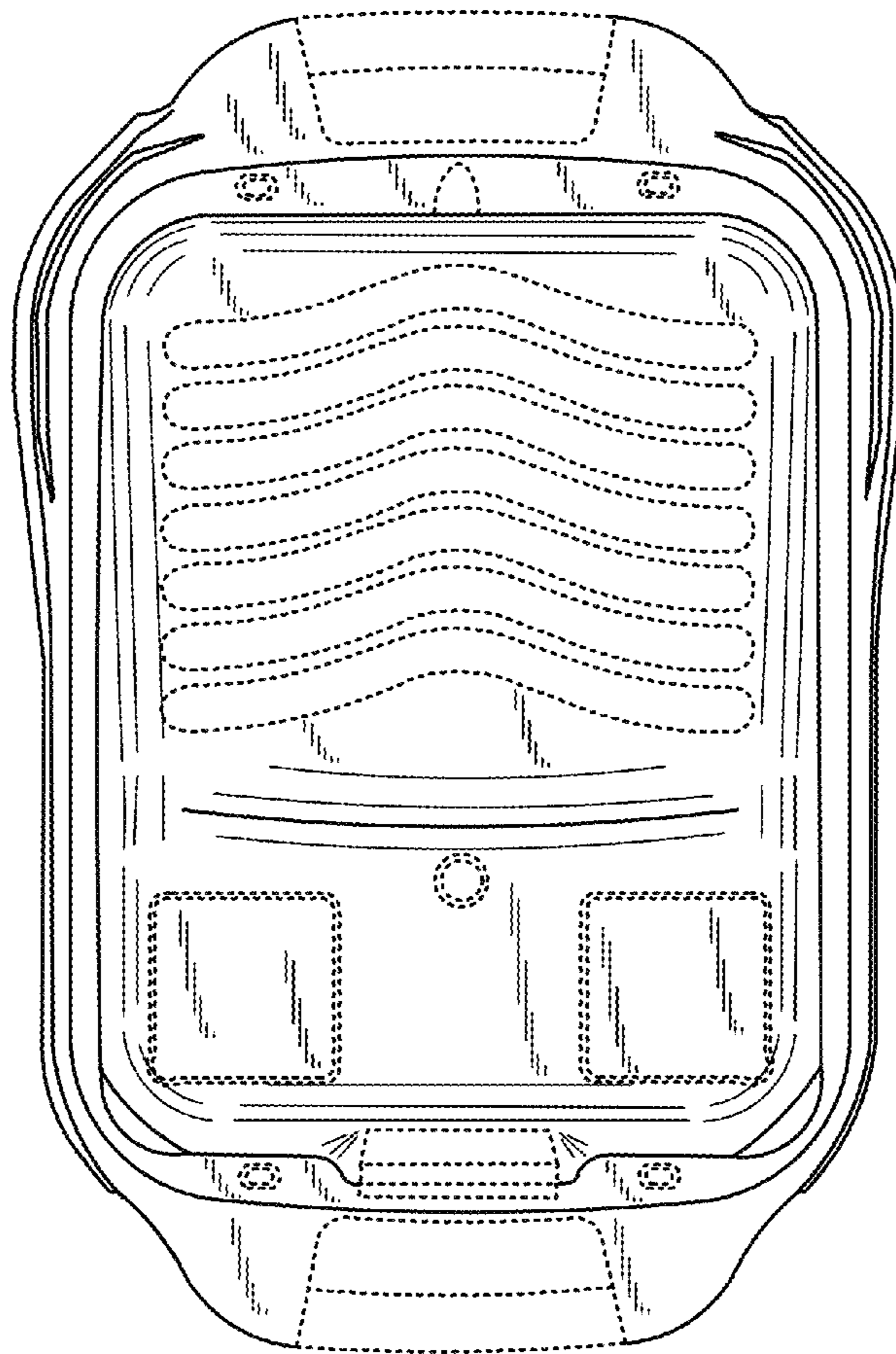


FIG. 7