



US00D668410S

(12) **United States Design Patent**  
**Khubani**

(10) **Patent No.:** **US D668,410 S**  
(45) **Date of Patent:** **\*\* Oct. 2, 2012**

(54) **VACUUM CLEANER ATTACHMENT ADAPTER**

(75) Inventor: **Ajit Khubani**, Saddle River, NJ (US)

(73) Assignee: **Telebrands Corp.**, Fairfield, NJ (US)

(\*\*) Term: **14 Years**

(21) Appl. No.: **29/406,340**

(22) Filed: **Nov. 11, 2011**

(51) **LOC (9) Cl.** ..... **15-05**

(52) **U.S. Cl.** ..... **D32/31**

(58) **Field of Classification Search** ..... D32/31-33,  
D32/25; 15/246.2, 366, 383, 179, 182, 183,  
15/392, 414, 415.1, 400; 285/7, 12; 251/340  
See application file for complete search history.

(56) **References Cited**

**U.S. PATENT DOCUMENTS**

2,941,822	A *	6/1960	Moecker	.....	285/7
2,978,733	A	4/1961	Wahlborg		
2,980,449	A	4/1961	Dunton		
3,048,876	A	8/1962	Kamintz		
4,053,962	A	10/1977	McDowell		
4,116,474	A	9/1978	Wolf		
4,173,362	A	11/1979	Glover et al.		
4,459,720	A	7/1984	Ahlf et al.		
4,694,529	A	9/1987	Choiniere		
D301,177	S *	5/1989	Von Bischoffshausen	....	D32/31
4,961,245	A	10/1990	Barnes, Jr. et al.		
4,997,209	A	3/1991	McGrath et al.		
5,050,266	A	9/1991	Schneider		
D368,996	S *	4/1996	Boyer	.....	D32/32
5,535,478	A	7/1996	Thompson		
5,652,997	A	8/1997	Na		
5,704,090	A	1/1998	Berfield		
D453,866	S *	2/2002	Nighy et al.	.....	D32/31
6,378,166	B1	4/2002	Bruno et al.		
D470,983	S *	2/2003	Svaldi	.....	D32/31
D477,445	S *	7/2003	Schroter	.....	D32/31
D480,848	S *	10/2003	Smith et al.	.....	D32/31
D491,326	S *	6/2004	Schroter	.....	D32/31
6,785,934	B2 *	9/2004	Bruno et al.	.....	15/414
D502,578	S *	3/2005	Roschi	.....	D32/31
D513,101	S *	12/2005	Allard et al.	.....	D32/32

D545,512	S *	6/2007	Genoa et al.	.....	D32/31
D597,715	S *	8/2009	Barker	.....	D32/31
7,611,490	B2	11/2009	Foley		
D610,760	S *	2/2010	Zugen et al.	.....	D32/31
D622,016	S *	8/2010	Hofmann-Kay et al.	.....	D32/32
7,779,860	B2	8/2010	Pears		
D642,754	S *	8/2011	Fjellman	.....	D32/31
D647,266	S *	10/2011	Kim et al.	.....	D32/31
D652,188	S *	1/2012	Escobar	.....	D32/32
2002/0178696	A1	12/2002	Korff		
2009/0302601	A1	12/2009	Sarkisyan et al.		
2010/0306960	A1*	12/2010	Jonsson et al.	.....	15/414

**OTHER PUBLICATIONS**

Dryer Vent Vacuum Cleaner Attachment, retrieved from internet: "http://www.amazon.com/Dryer-Vent-Vacuum-Cleaner\_attachment/dp/B0002811M4", retrieved on Jun. 29, 2012.\*  
 Vacuum Cleaner Attachment Kit, retrieved from internet: "http://www.made-in-china.com/showroom/it9830/product-detailzeTENWqXEbaw/China-Vacuum-Cleaner-Attachment-Kit.html", retrieved on Jun. 29, 2012.\*  
 Lint Lizard Vac Attachment, Dryer Lint 1 attachment, retrieved from internet: "http://www.amazon.com/Lint-Lizard-Attachment-Dryer-attachment/dp/B006ZV3LJ0", retrieved on Jun. 29, 2012.\*  
 Lint Lizard Vacuum Attachment, retrieved from internet: "http://www.asontvinformercials.com/lint-lizard.html", retrieved on Jun. 29, 2012.\*

\* cited by examiner

*Primary Examiner* — Ruth McInroy

(74) *Attorney, Agent, or Firm* — Cooper & Dunham LLP

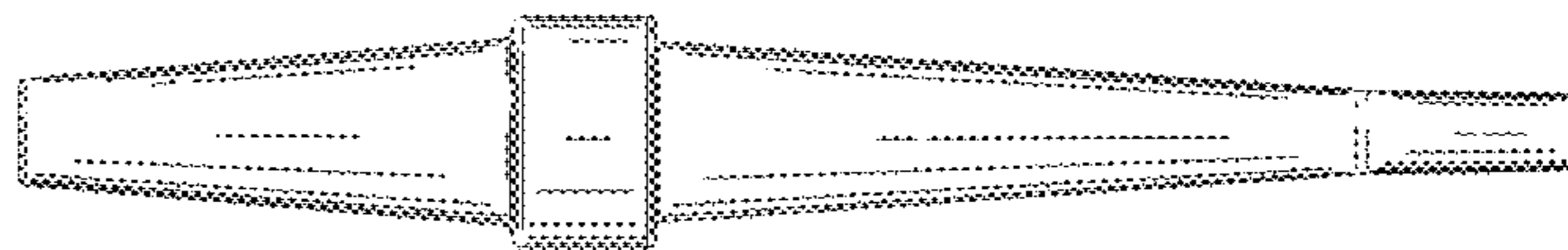
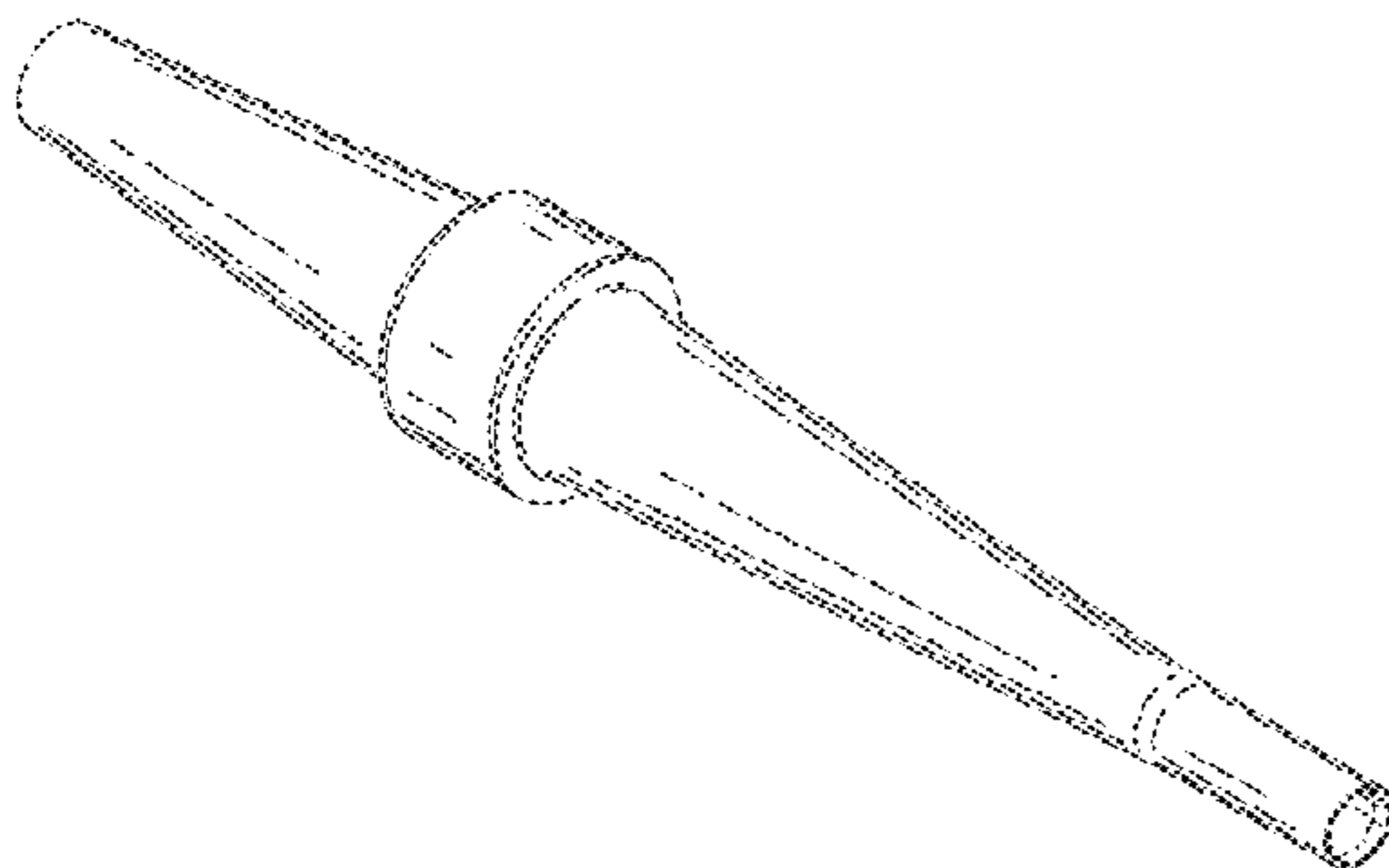
(57) **CLAIM**

The ornamental design for a vacuum cleaner attachment adapter, as shown and described.

**DESCRIPTION**

FIG. 1 is a perspective view of a vacuum cleaner attachment adapter showing my new design;  
 FIG. 2 is a side view thereof;  
 FIG. 3 is a bottom view thereof;  
 FIG. 4 is a top view thereof; and,  
 FIG. 5 is an exploded perspective view thereof.

**1 Claim, 4 Drawing Sheets**



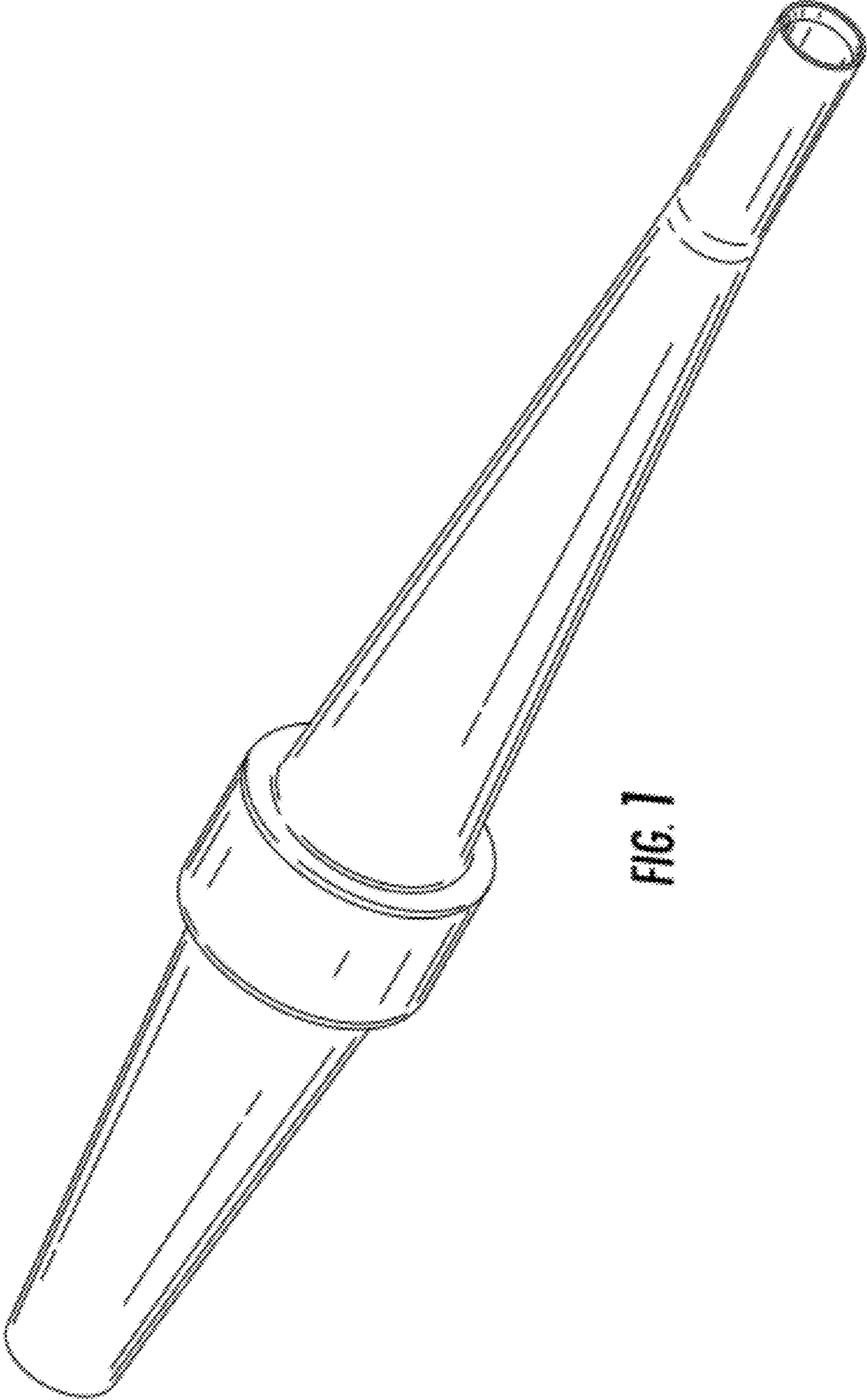


FIG. 1

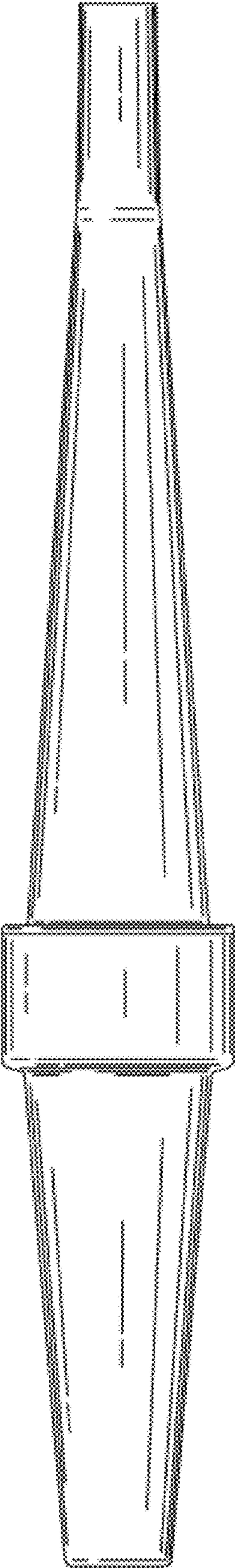


FIG. 2

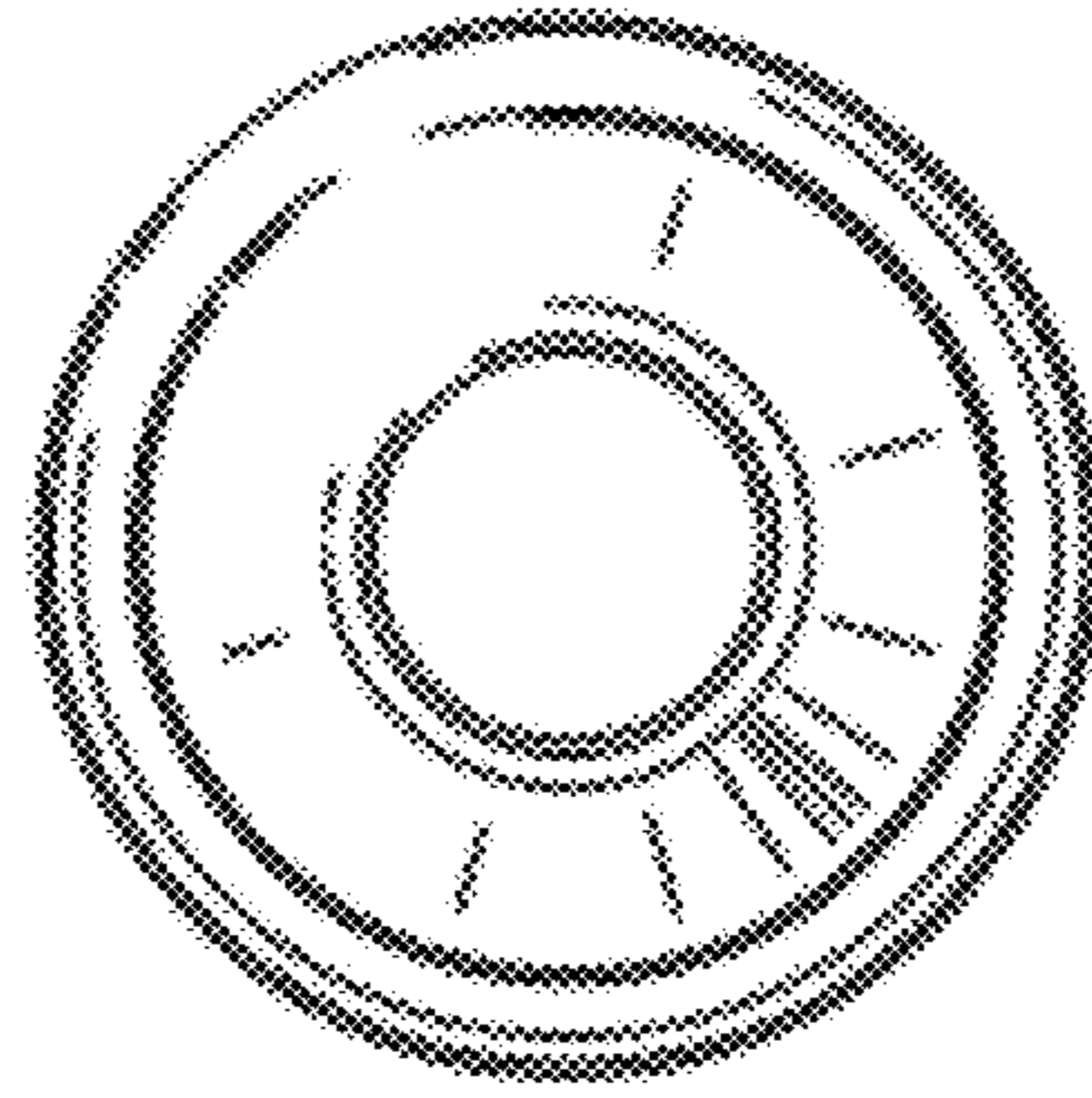


FIG. 3

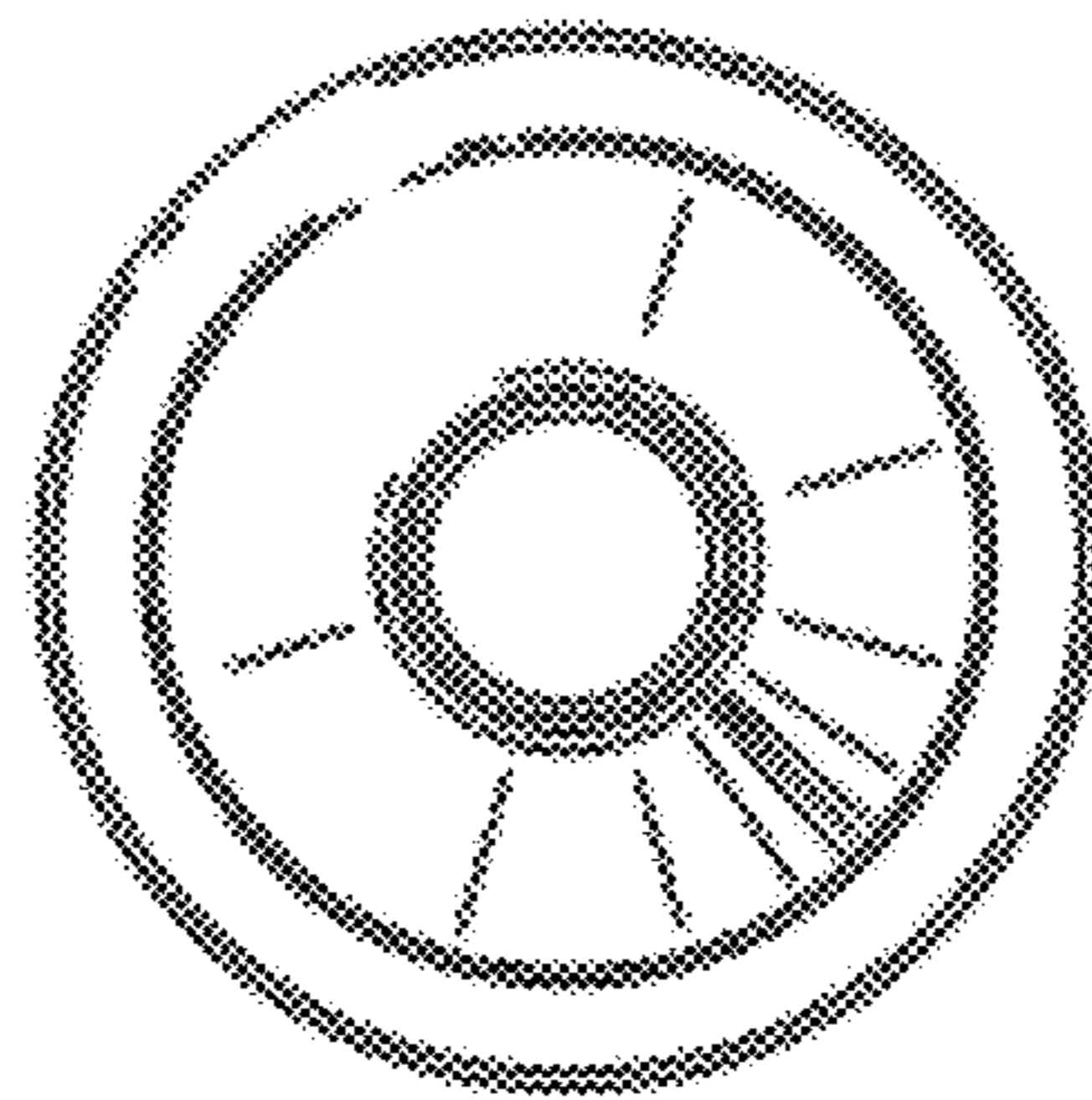


FIG. 4

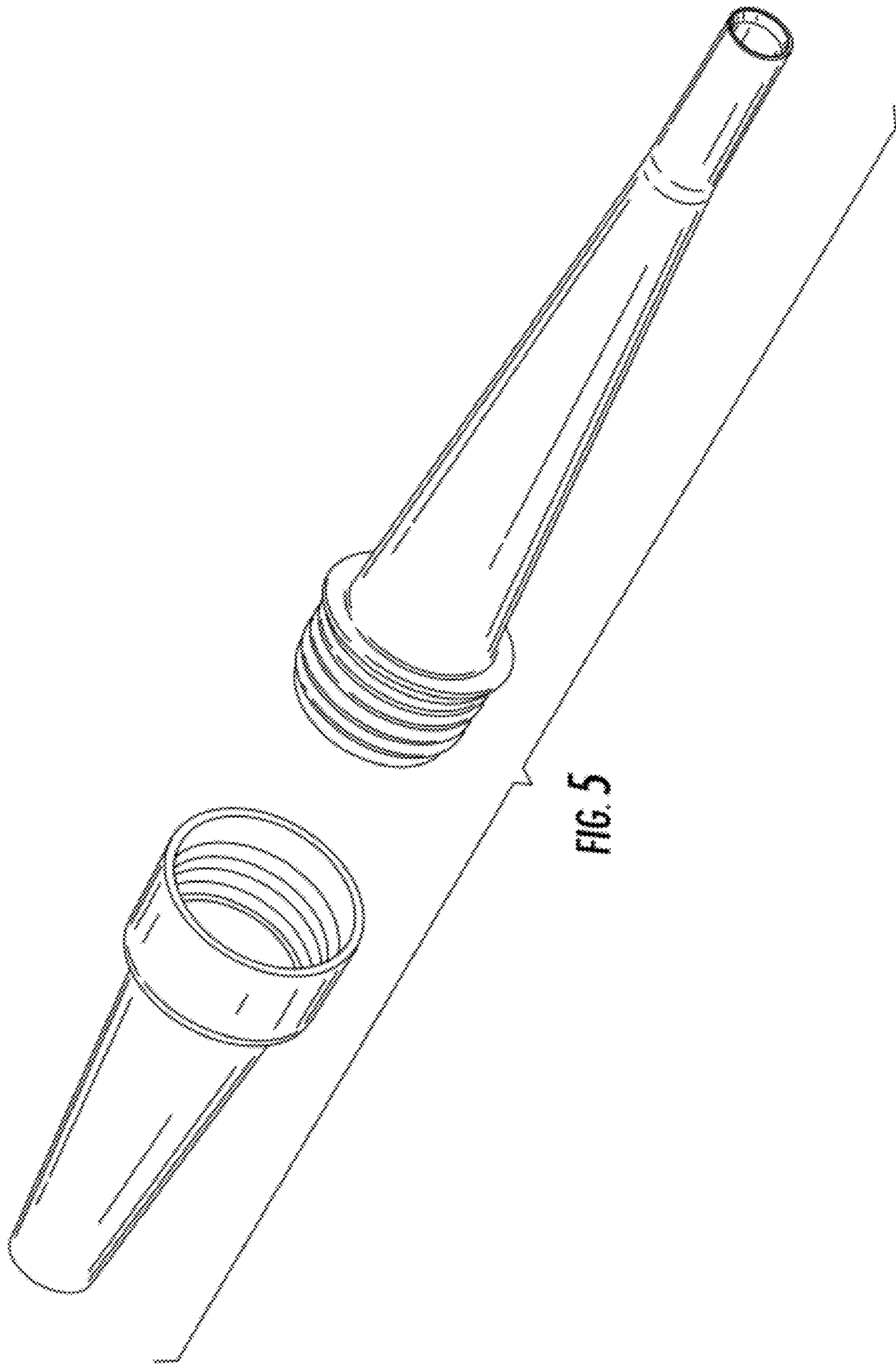


FIG. 5