



US00D668408S

(12) **United States Design Patent**
Kim et al.

(10) **Patent No.:** **US D668,408 S**

(45) **Date of Patent:** **** Oct. 2, 2012**

(54) **DUST COLLECTING CASE FOR A VACUUM CLEANER**

(75) Inventors: **Joo-Hyung Kim**, Seoul (KR); **Yuna Park**, Seoul (KR)

(73) Assignee: **Samsung Electronics Co., Ltd**, Suwon-si (KE)

(**) Term: **14 Years**

(21) Appl. No.: **29/385,465**

(22) Filed: **Feb. 15, 2011**

(51) **LOC (9) Cl.** **15-05**

(52) **U.S. Cl.** **D32/31**

(58) **Field of Classification Search** D32/16, D32/17, 22, 31, 34; 15/347, 353, 320, 340.2, 15/350-351, 363, 410-411, 327.1, 71.1, 15/79.1, 79.2; 55/337, 459.1, DIG. 3, 429
See application file for complete search history.

(56) **References Cited**

U.S. PATENT DOCUMENTS

6,896,711	B2 *	5/2005	Oh	55/337
6,925,680	B2 *	8/2005	Oh	15/350
6,968,596	B2 *	11/2005	Oh et al.	15/353
7,047,594	B2 *	5/2006	Inoue	15/353

D541,997	S *	5/2007	Greene	D32/31
2004/0134022	A1 *	7/2004	Murphy et al.	15/353
2004/0237248	A1 *	12/2004	Oh et al.	15/353
2004/0261214	A1 *	12/2004	Park et al.	15/351
2007/0039292	A1 *	2/2007	Oh et al.	55/337
2007/0084159	A1 *	4/2007	Oh et al.	55/337

* cited by examiner

Primary Examiner — Ruth McInroy

(74) *Attorney, Agent, or Firm* — Ladas & Parry LLP

(57) **CLAIM**

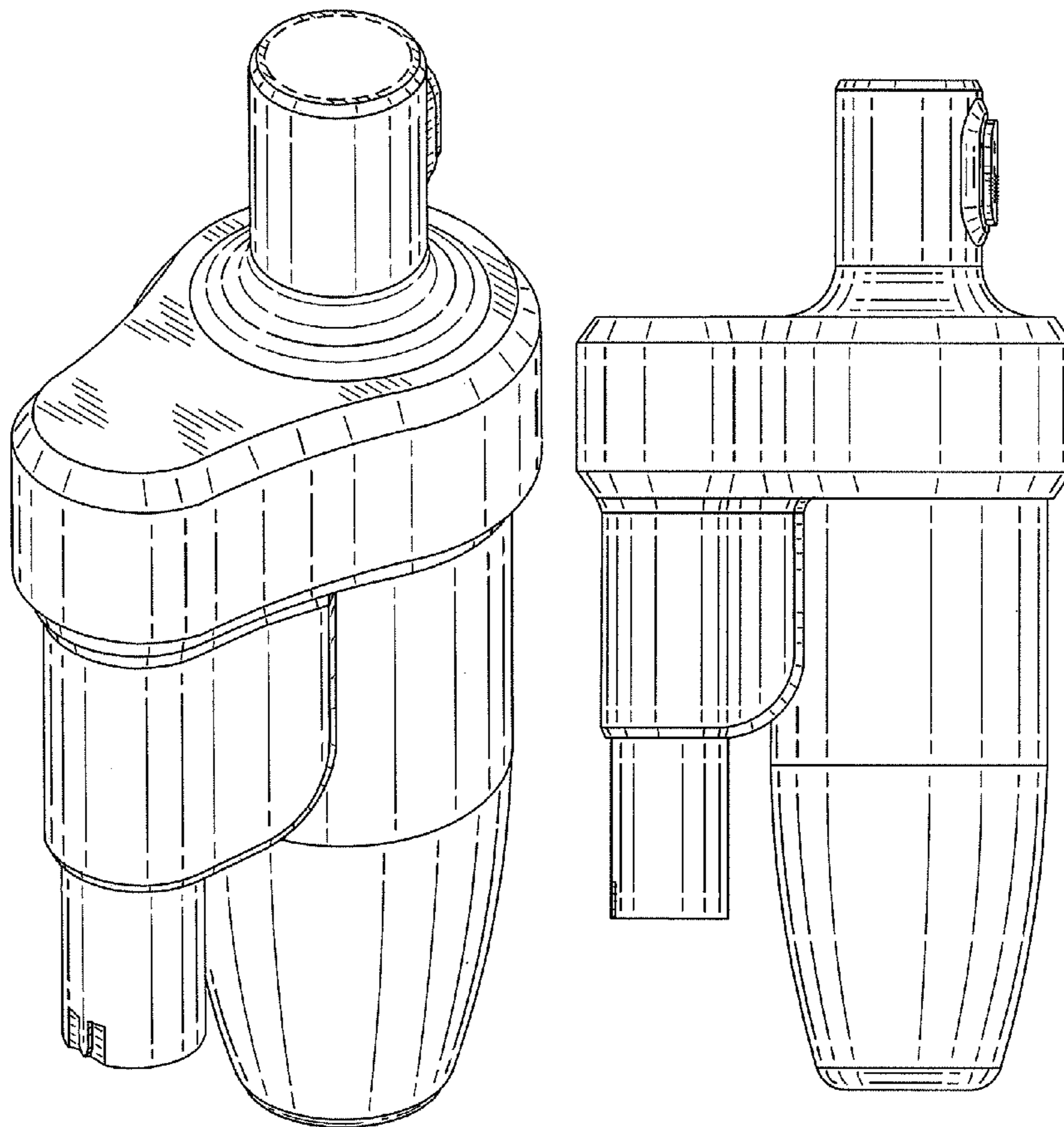
We claim the ornamental design for a dust collecting case for a vacuum cleaner, as shown and described.

DESCRIPTION

FIG. 1 is a top, front and right-side perspective view of a dust collecting case for a vacuum cleaner showing our new design; FIG. 2 is a front elevational view thereof; FIG. 3 is a rear elevational view thereof; FIG. 4 is a left-side elevational view thereof; FIG. 5 is a right-side elevational view thereof; FIG. 6 is a top plan view thereof; and, FIG. 7 is a bottom plan view thereof.

The details shown in broken lines form no part of the claimed design.

1 Claim, 6 Drawing Sheets



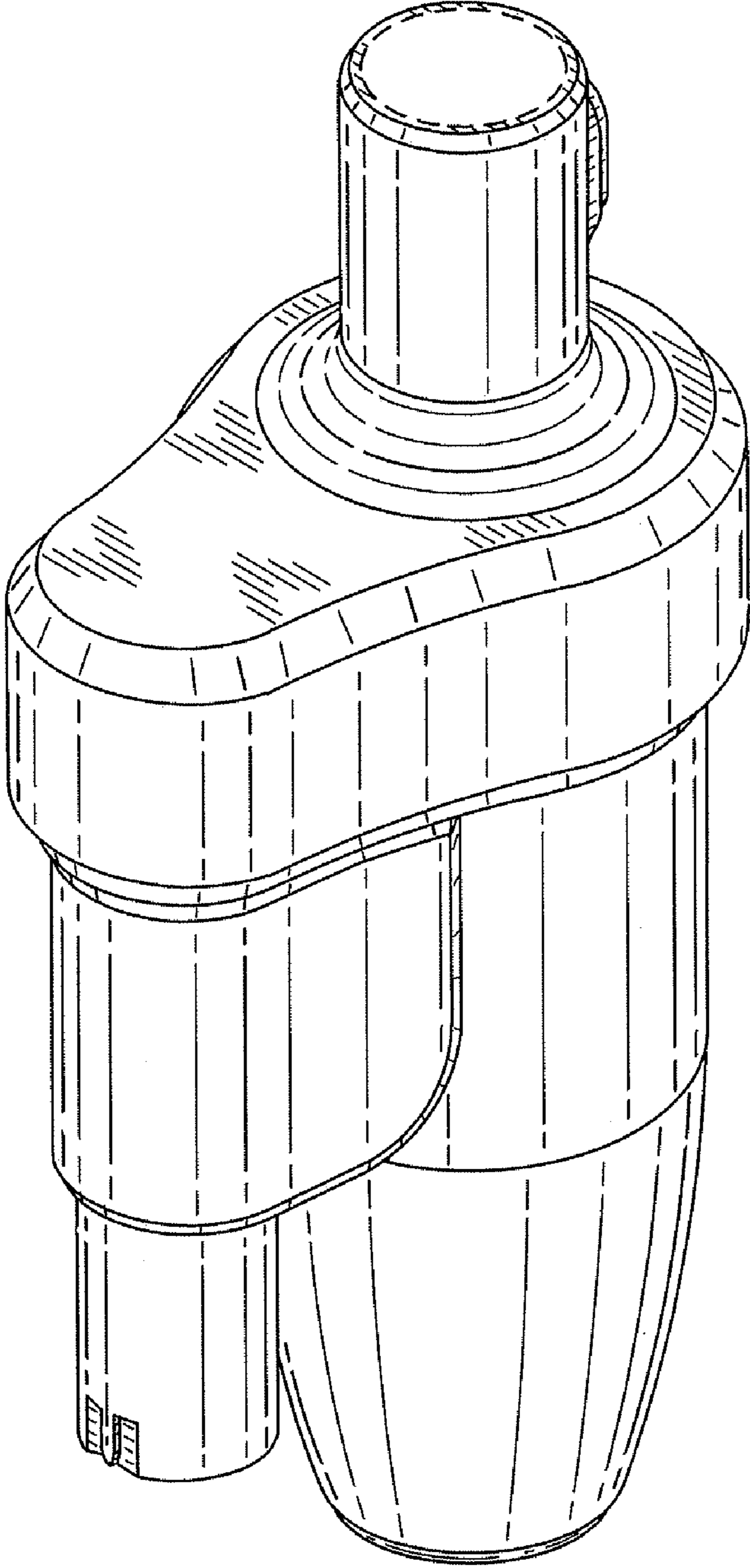


FIG. 1

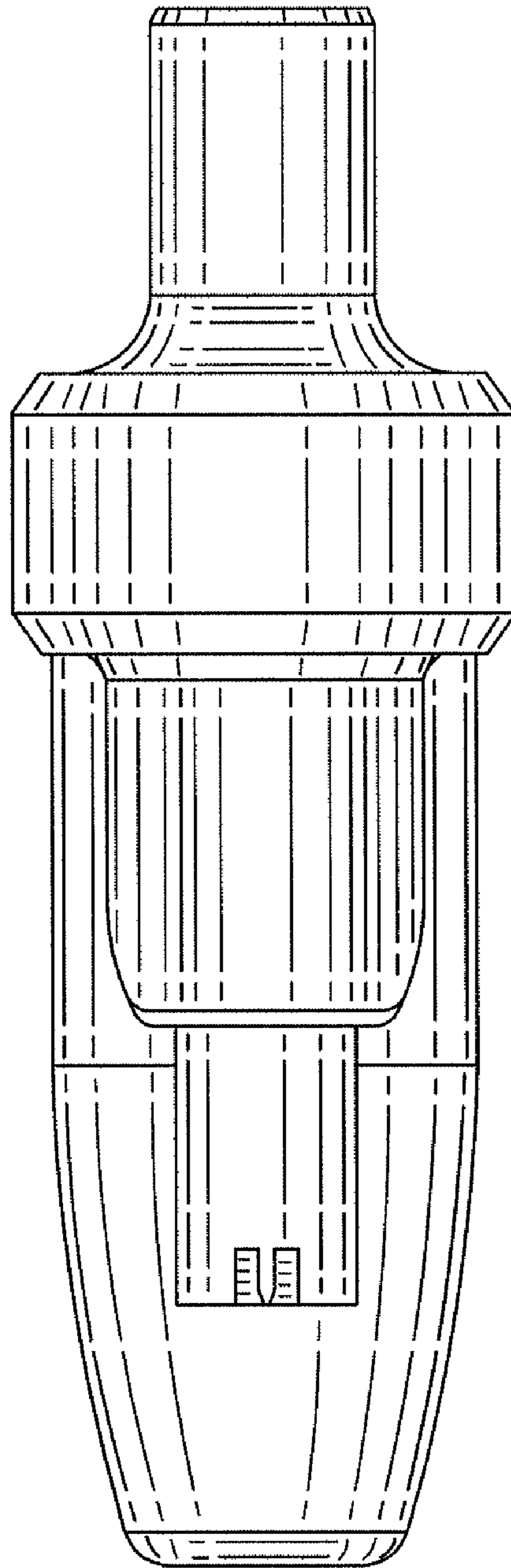


FIG. 2

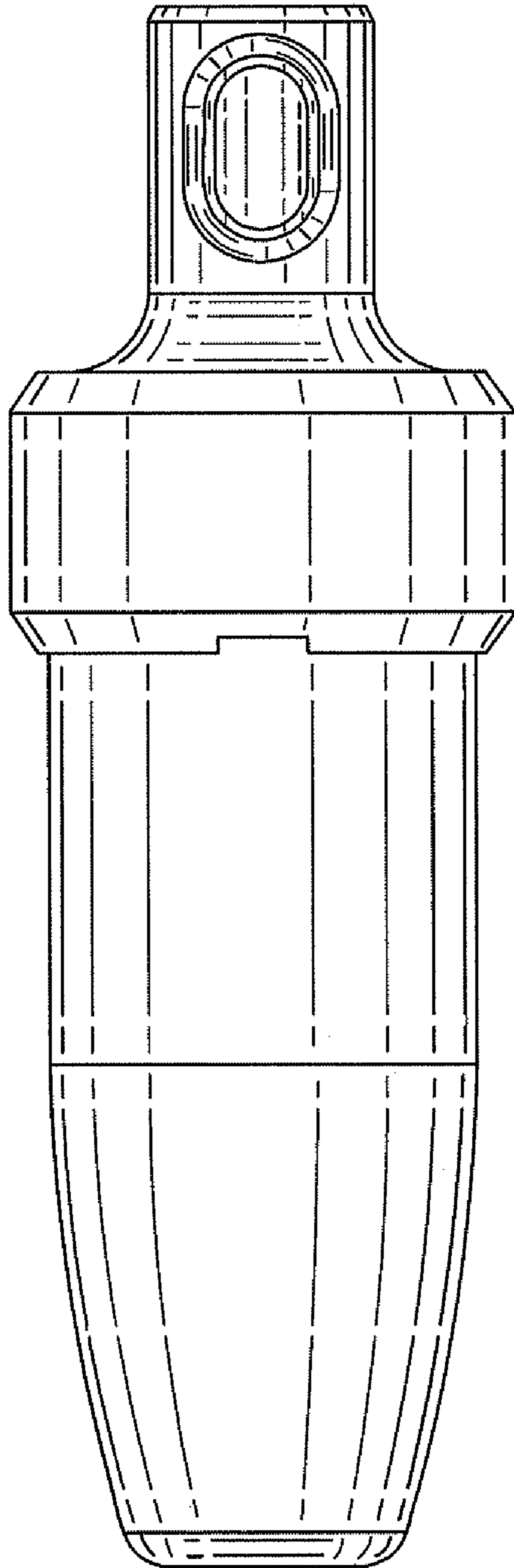


FIG. 3

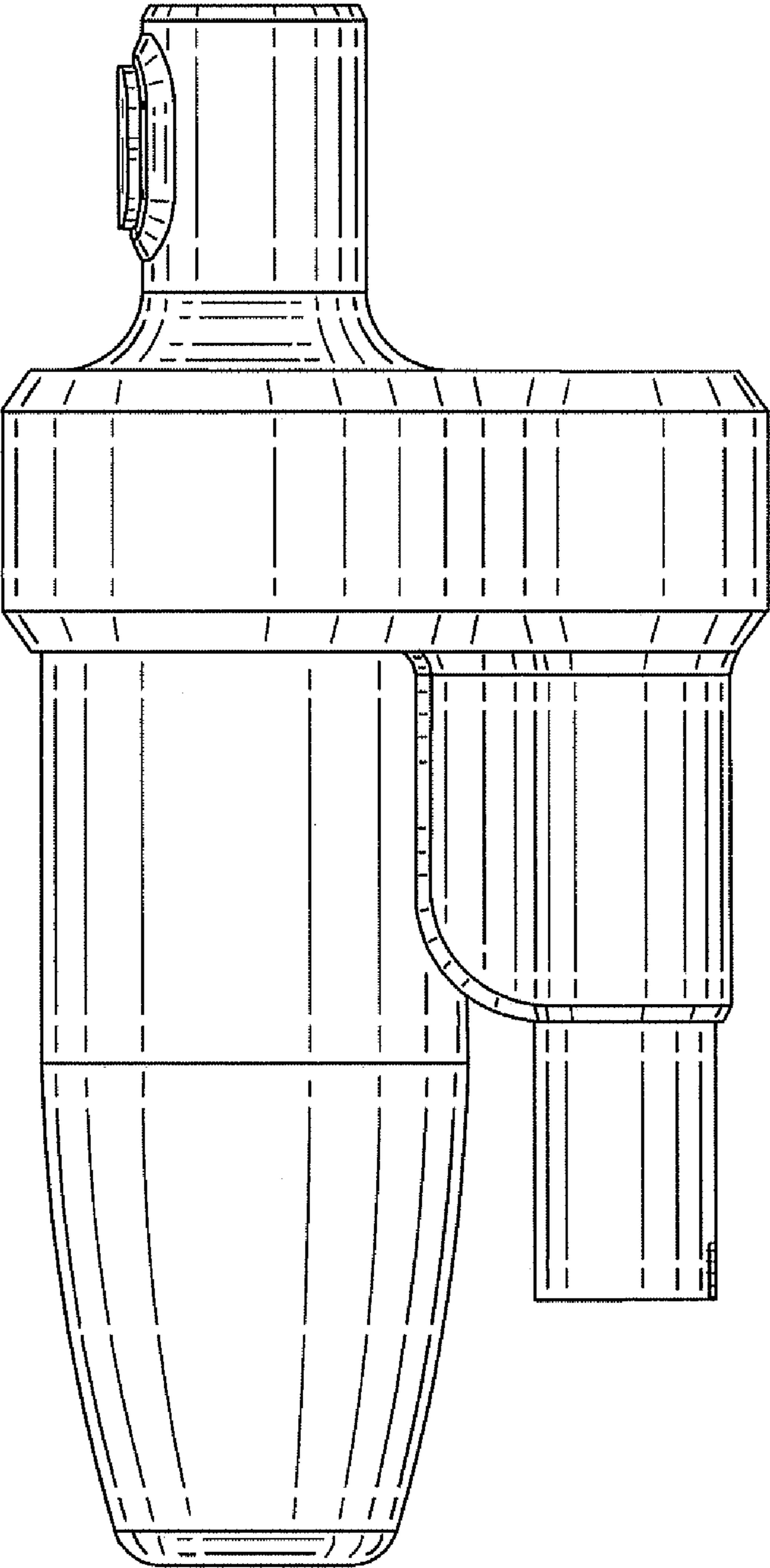


FIG. 4

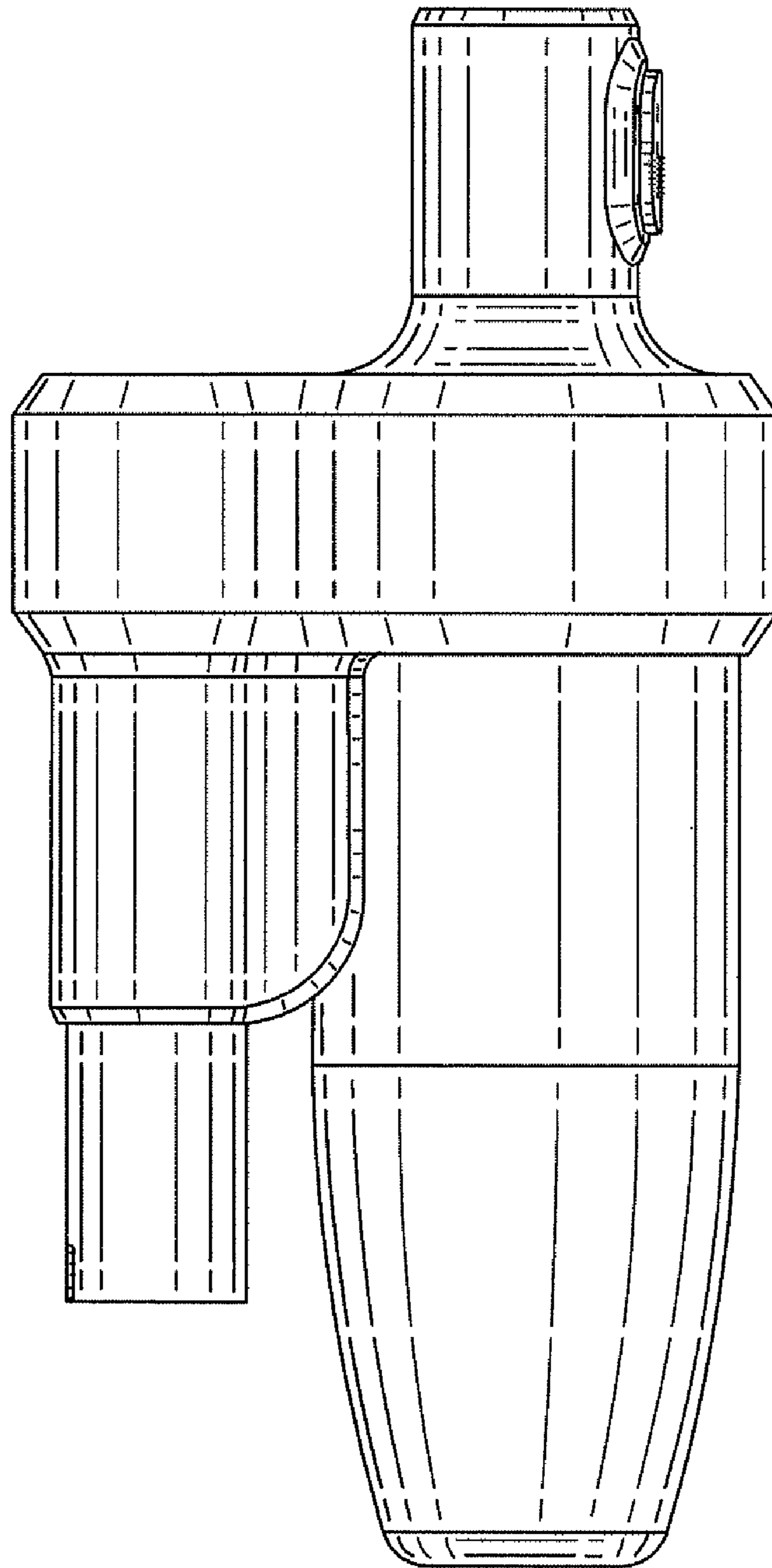


FIG. 5

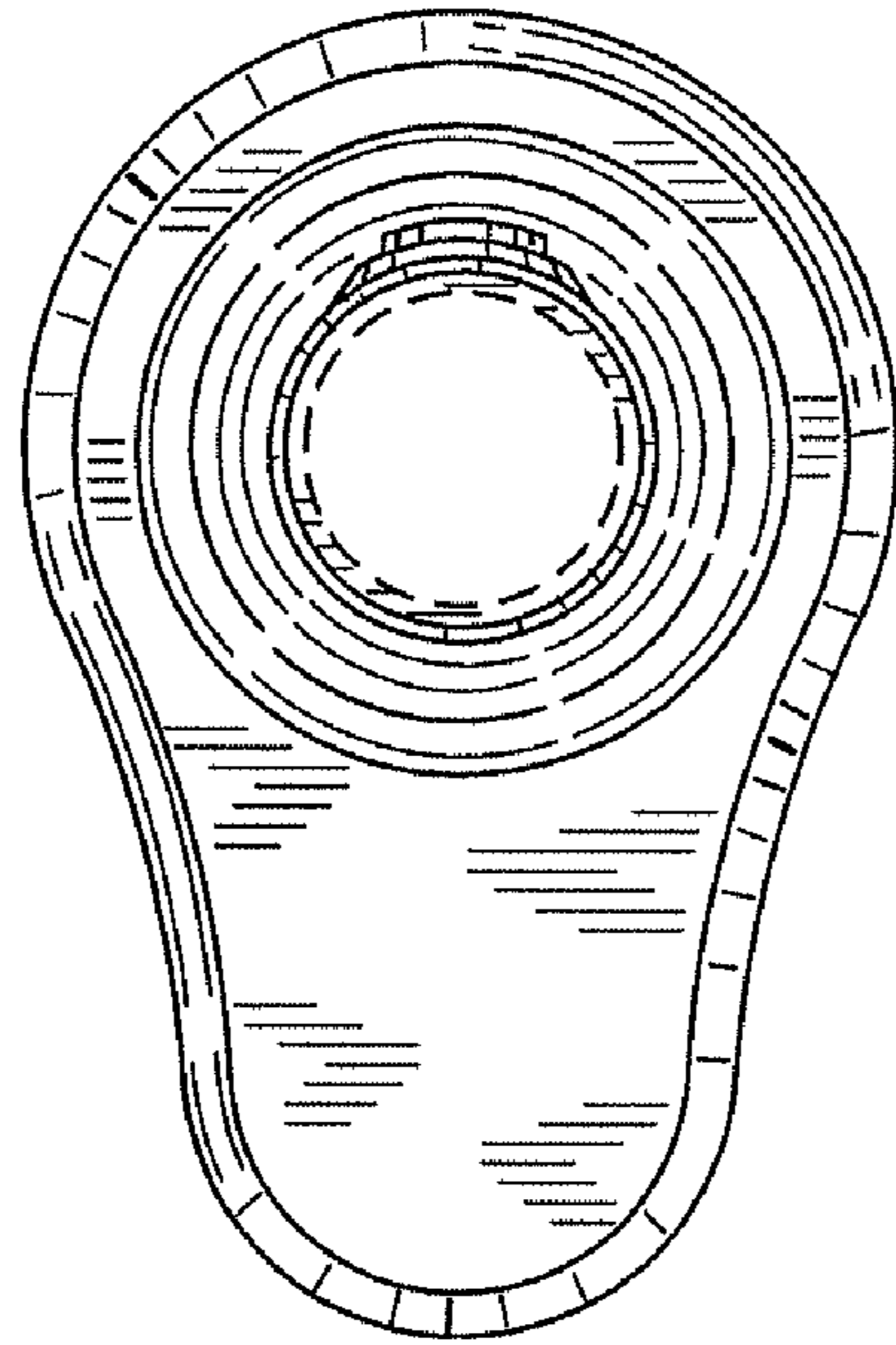


FIG. 6

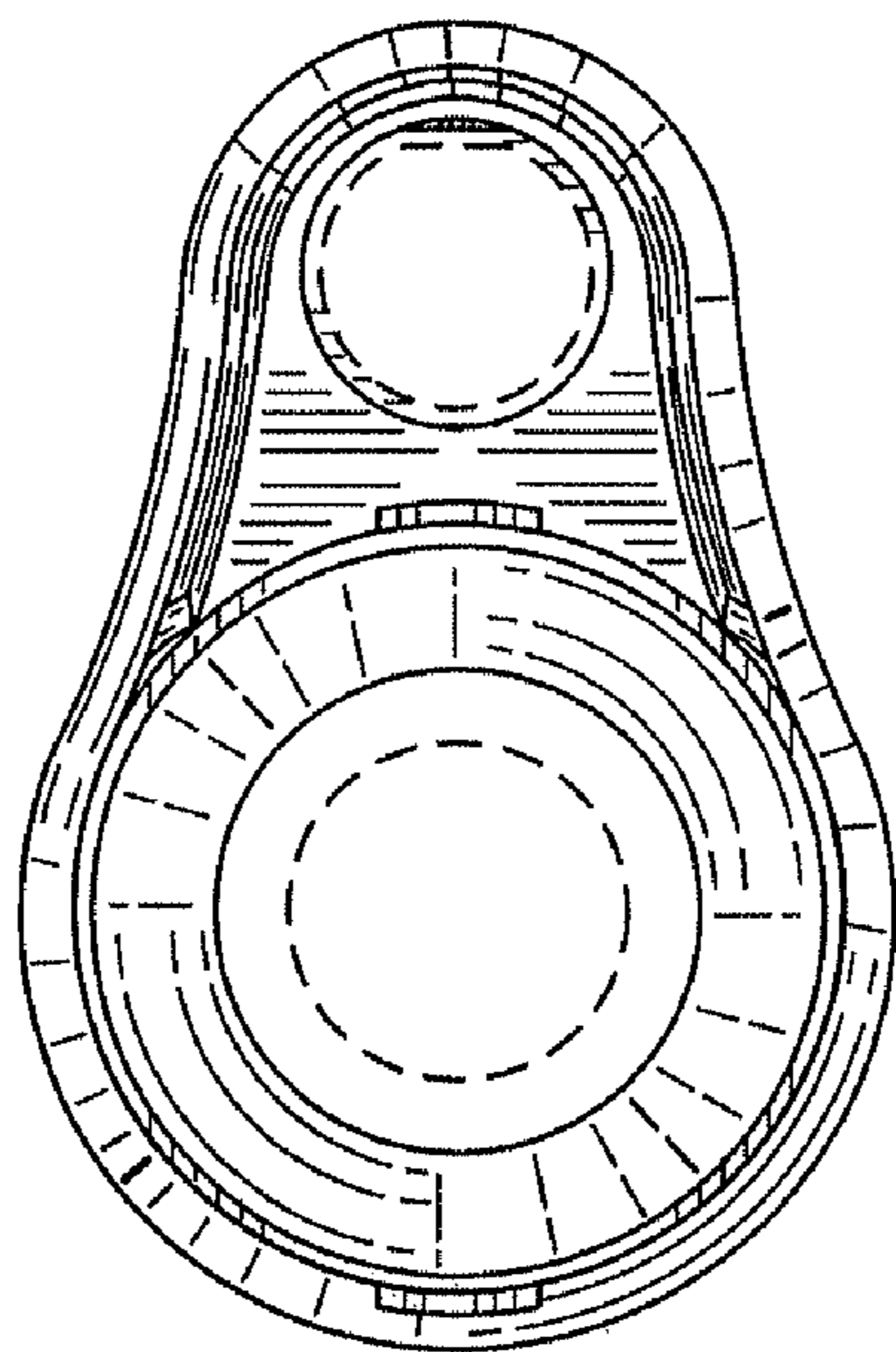


FIG. 7