



US00D668406S

(12) **United States Design Patent**
Choi et al.

(10) **Patent No.:** **US D668,406 S**

(45) **Date of Patent:** **** Oct. 2, 2012**

(54) **VACUUM CLEANER**

(75) Inventors: **Gyoo Sang Choi**, Seoul (KR);
Gwanwoo Shin, Kyungki-Do (KR)

(73) Assignee: **Saumsung Electronics Co. Ltd.**,
Suwon-si (KR)

(**) Term: **14 Years**

(21) Appl. No.: **29/368,192**

(22) Filed: **Aug. 19, 2010**

(51) **LOC (9) Cl.** **15-05**

(52) **U.S. Cl.** **D32/21**

(58) **Field of Classification Search** D32/21-24,
D32/31; 15/327.1-327.7, 329, 412, 320-321;
55/DIG. 3, 345, 357, 429, 271; 95/271
See application file for complete search history.

(56) **References Cited**

U.S. PATENT DOCUMENTS

D391,700 S * 3/1998 Hughes D32/21
D394,528 S * 5/1998 Pochopien et al. D32/21
D503,250 S * 3/2005 Choi D32/21

D559,482 S * 1/2008 Jansson et al. D32/21
D596,814 S * 7/2009 Macleod et al. D32/21
D597,713 S * 8/2009 Brown et al. D32/21
D599,512 S * 9/2009 Lee et al. D32/21
D600,415 S * 9/2009 Svantesson D32/21
D617,963 S * 6/2010 Ayers D32/21

* cited by examiner

Primary Examiner — Ruth McInroy

(74) *Attorney, Agent, or Firm* — Ladas & Parry LLP

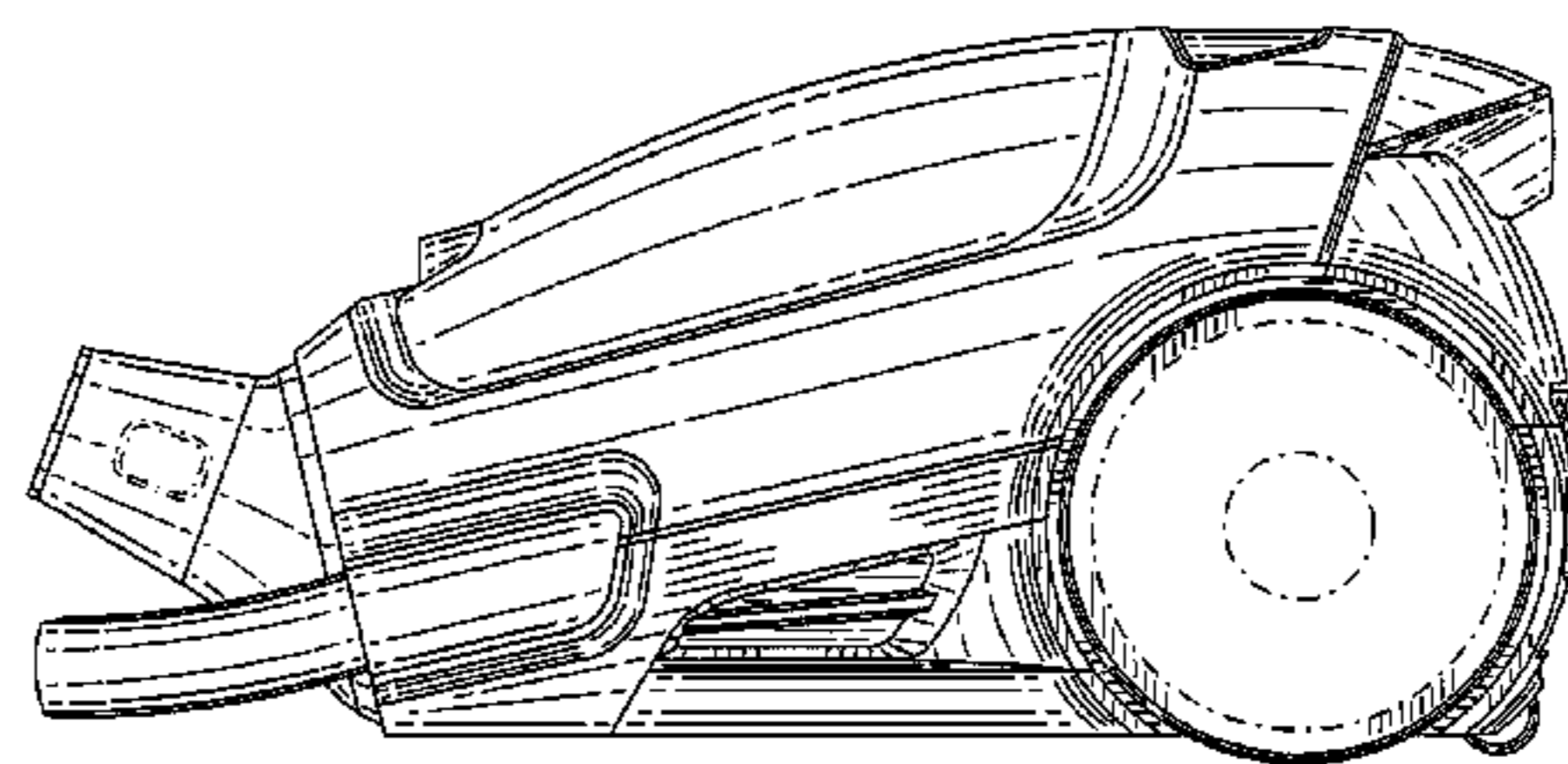
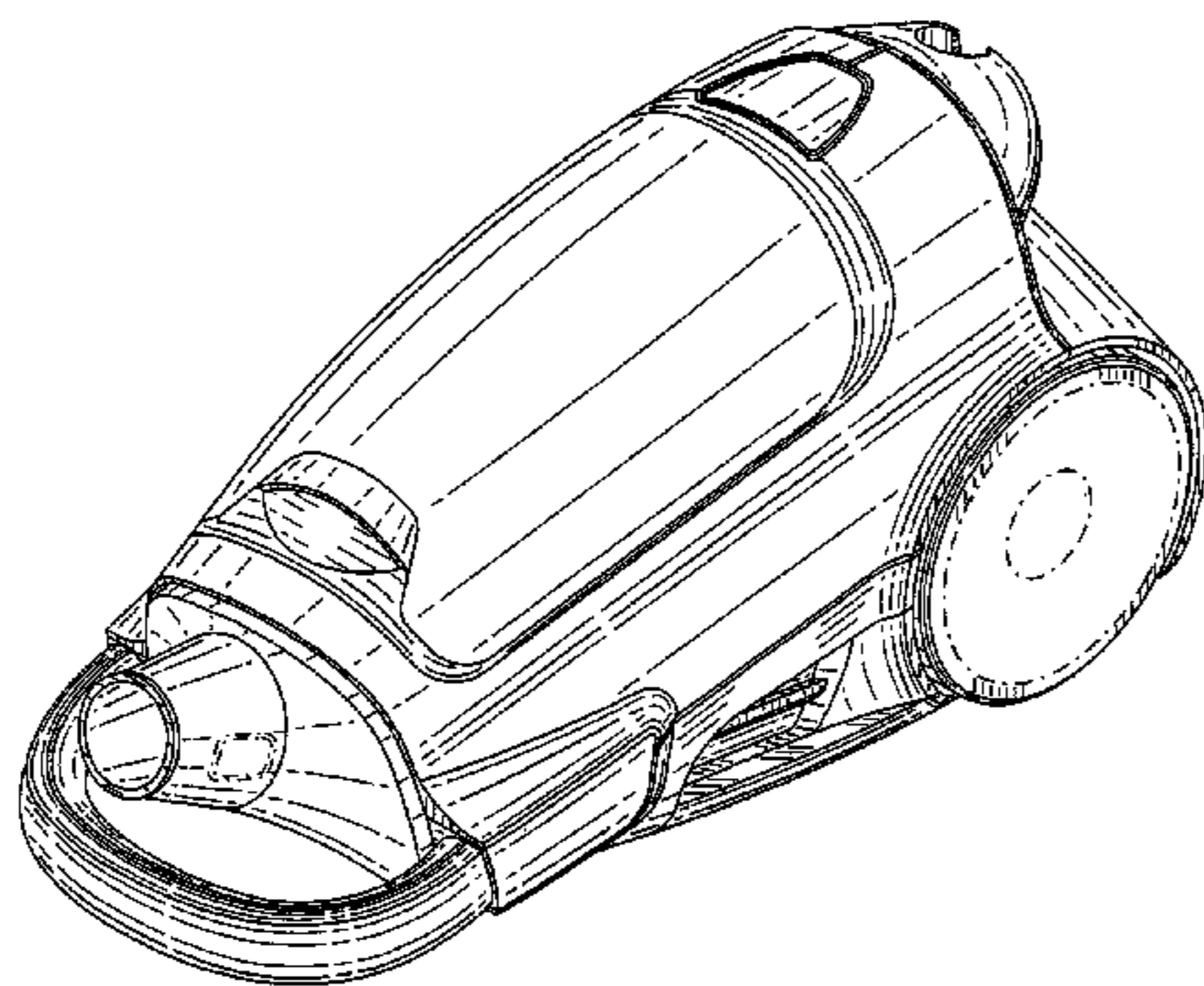
(57) **CLAIM**

We claim the ornamental design for a vacuum cleaner, as shown and described.

DESCRIPTION

FIG. 1 is a top, front and right side perspective view of a vacuum cleaner showing our new design;
FIG. 2 is a front elevational view thereof;
FIG. 3 is a rear elevational view thereof;
FIG. 4 is a left-side elevational view thereof;
FIG. 5 is a right-side elevational view thereof;
FIG. 6 is a top plan view thereof; and,
FIG. 7 is a bottom plan view thereof.

1 Claim, 5 Drawing Sheets



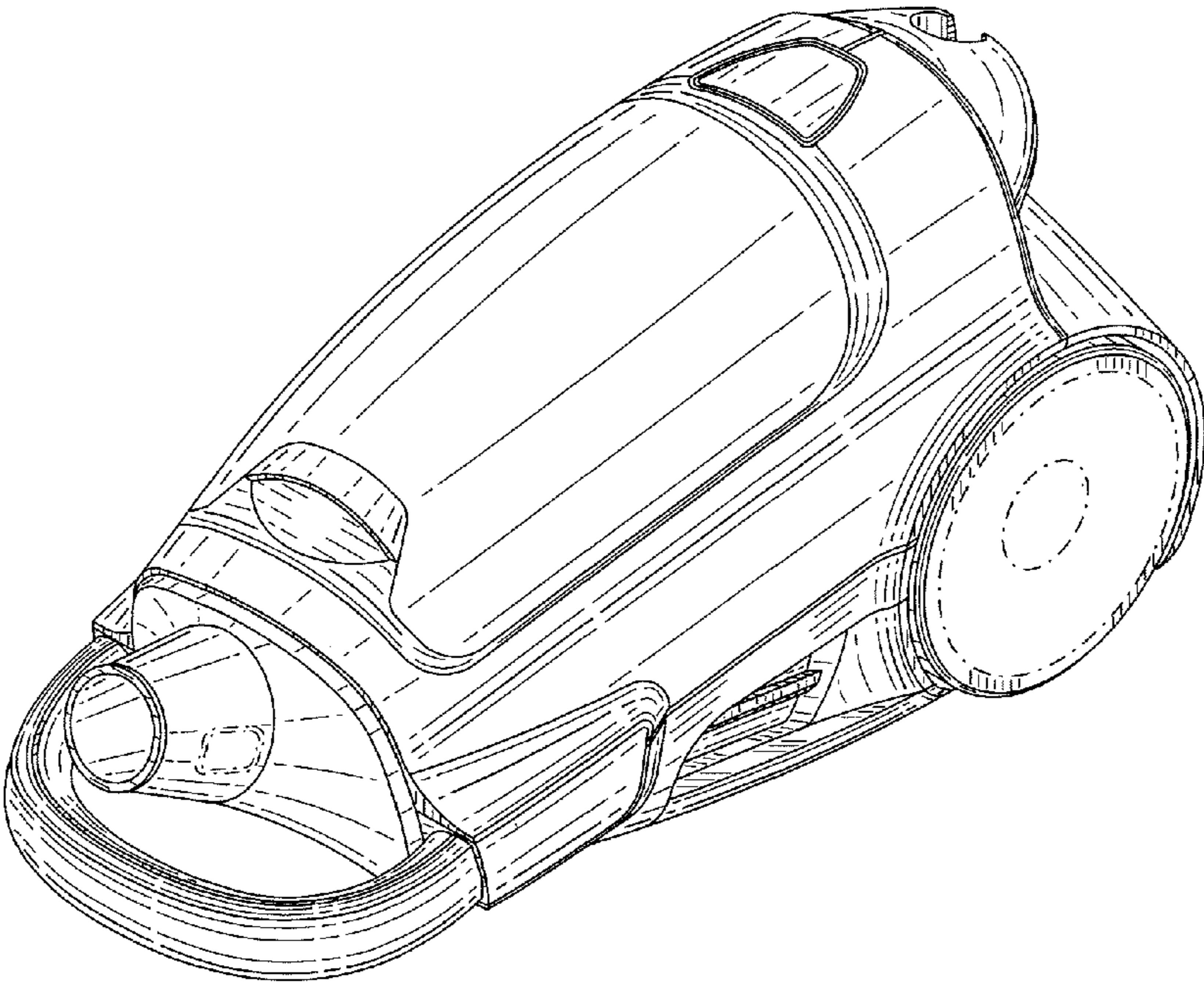


FIG. 1

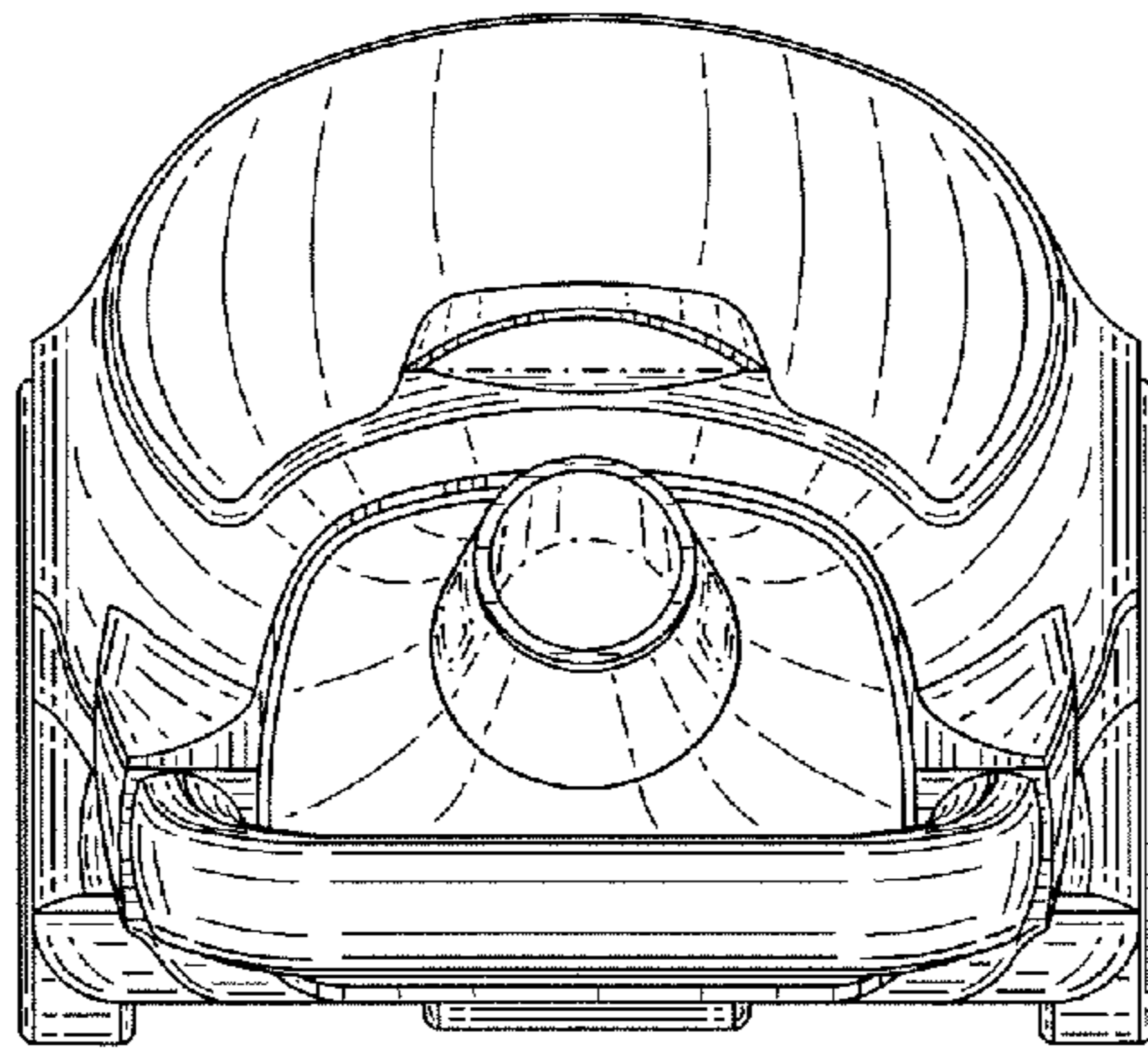


FIG. 2

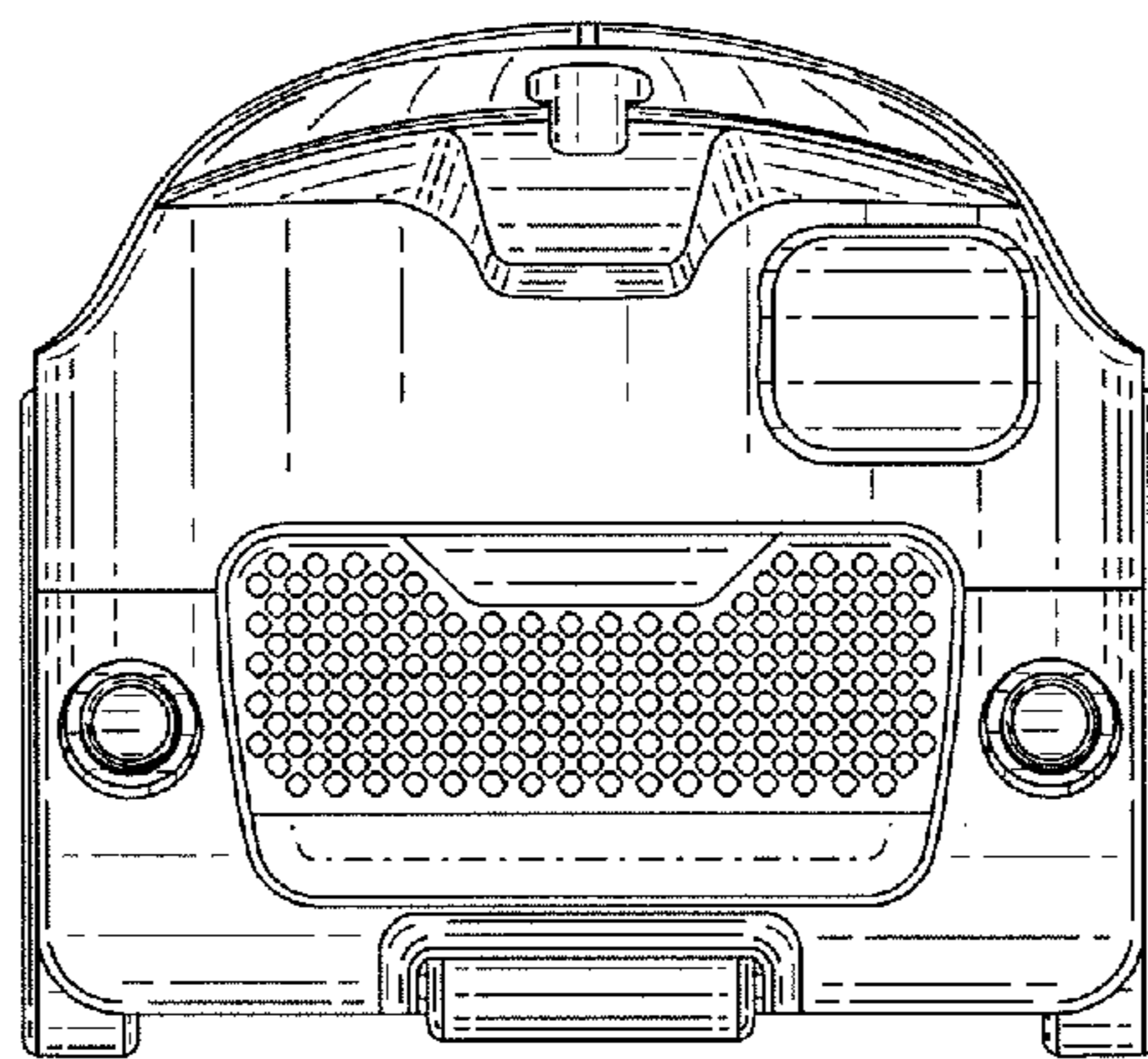


FIG. 3

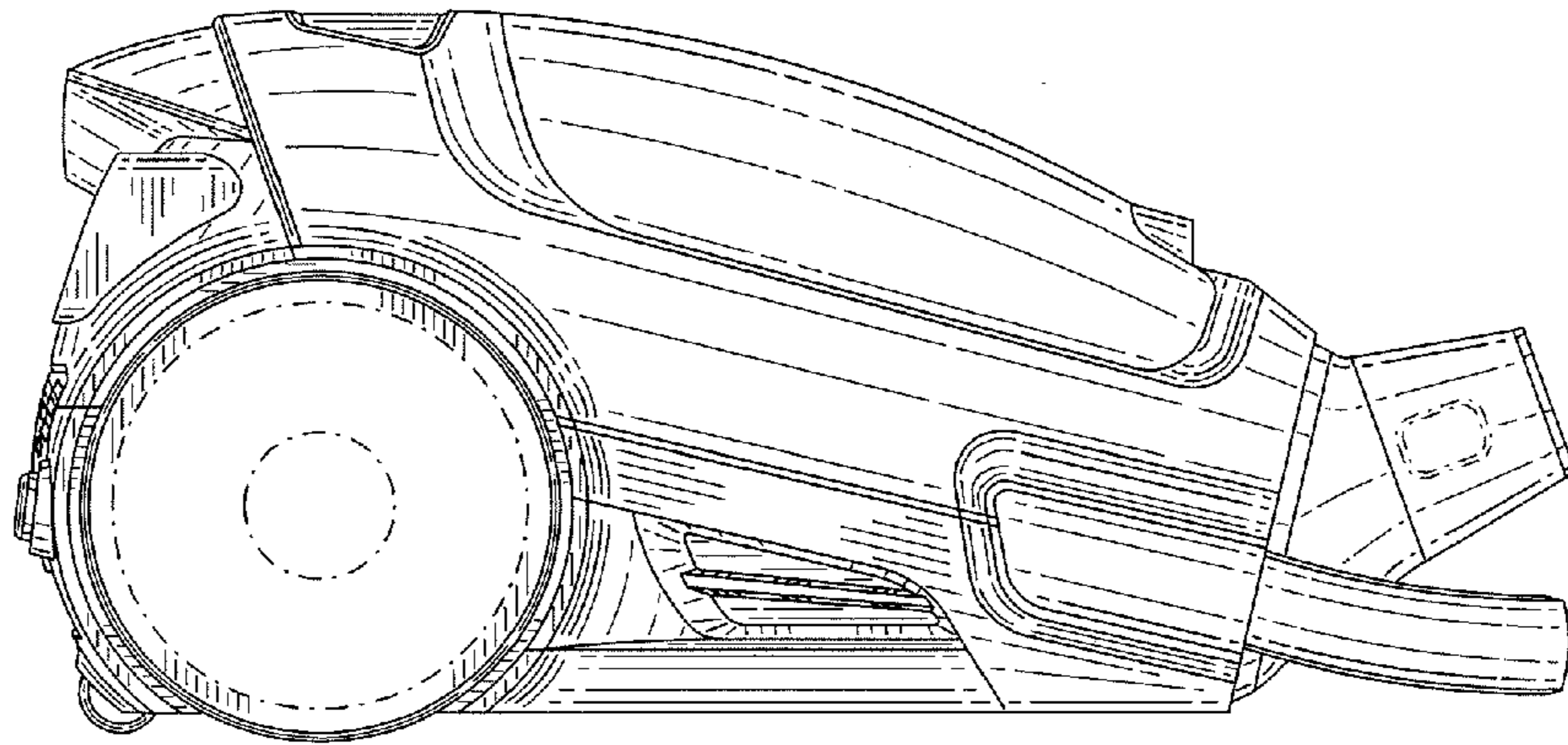


FIG. 4

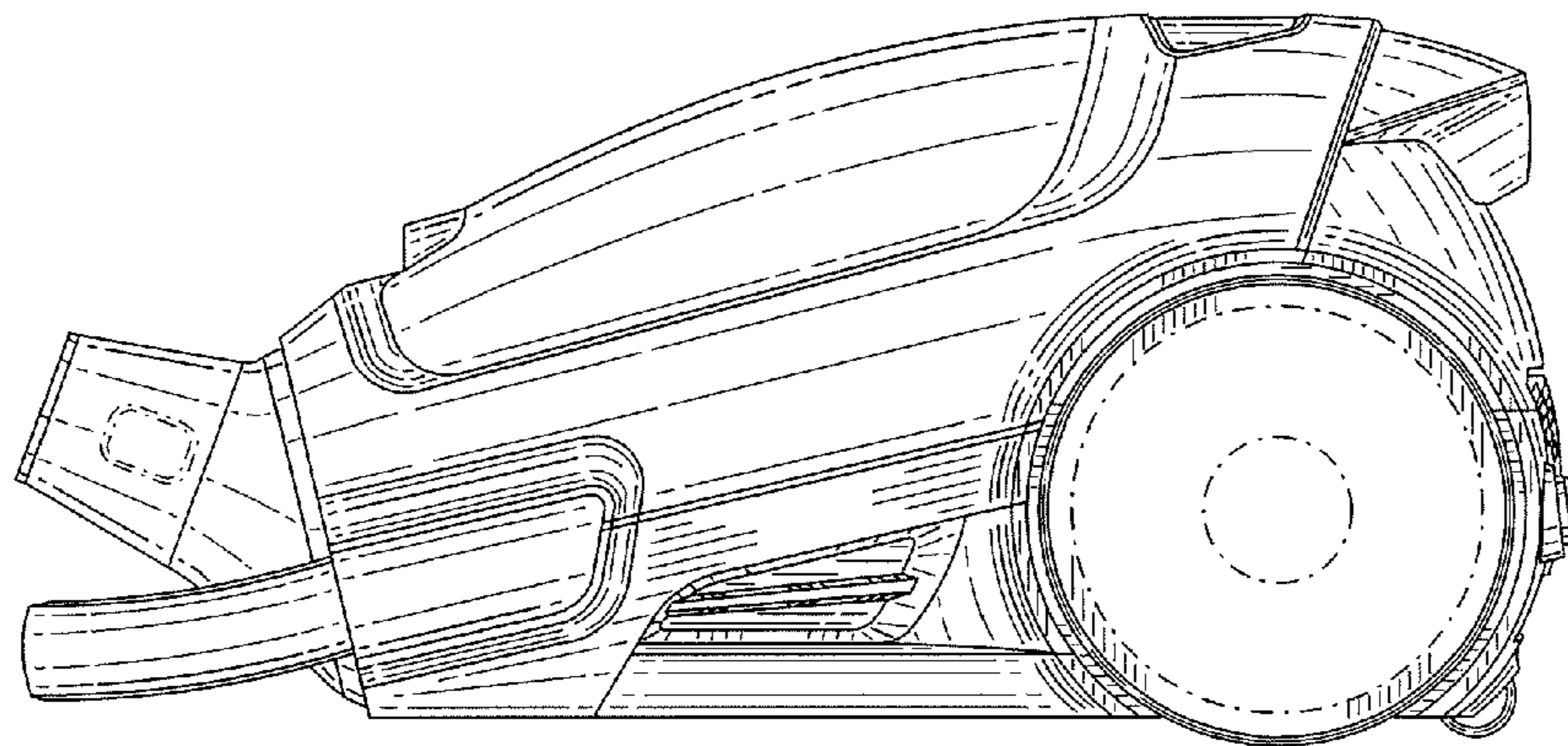


FIG. 5

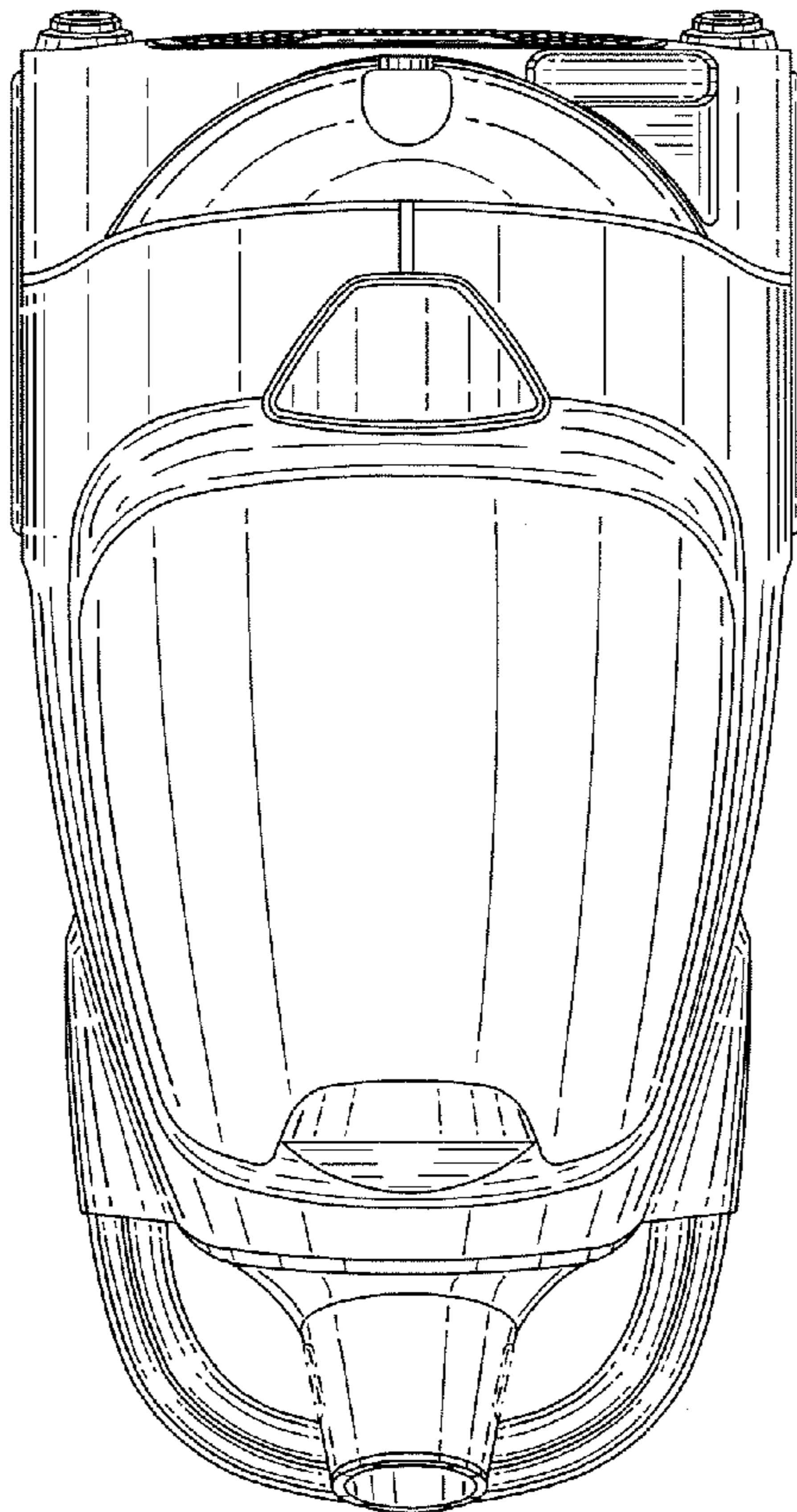


FIG. 6

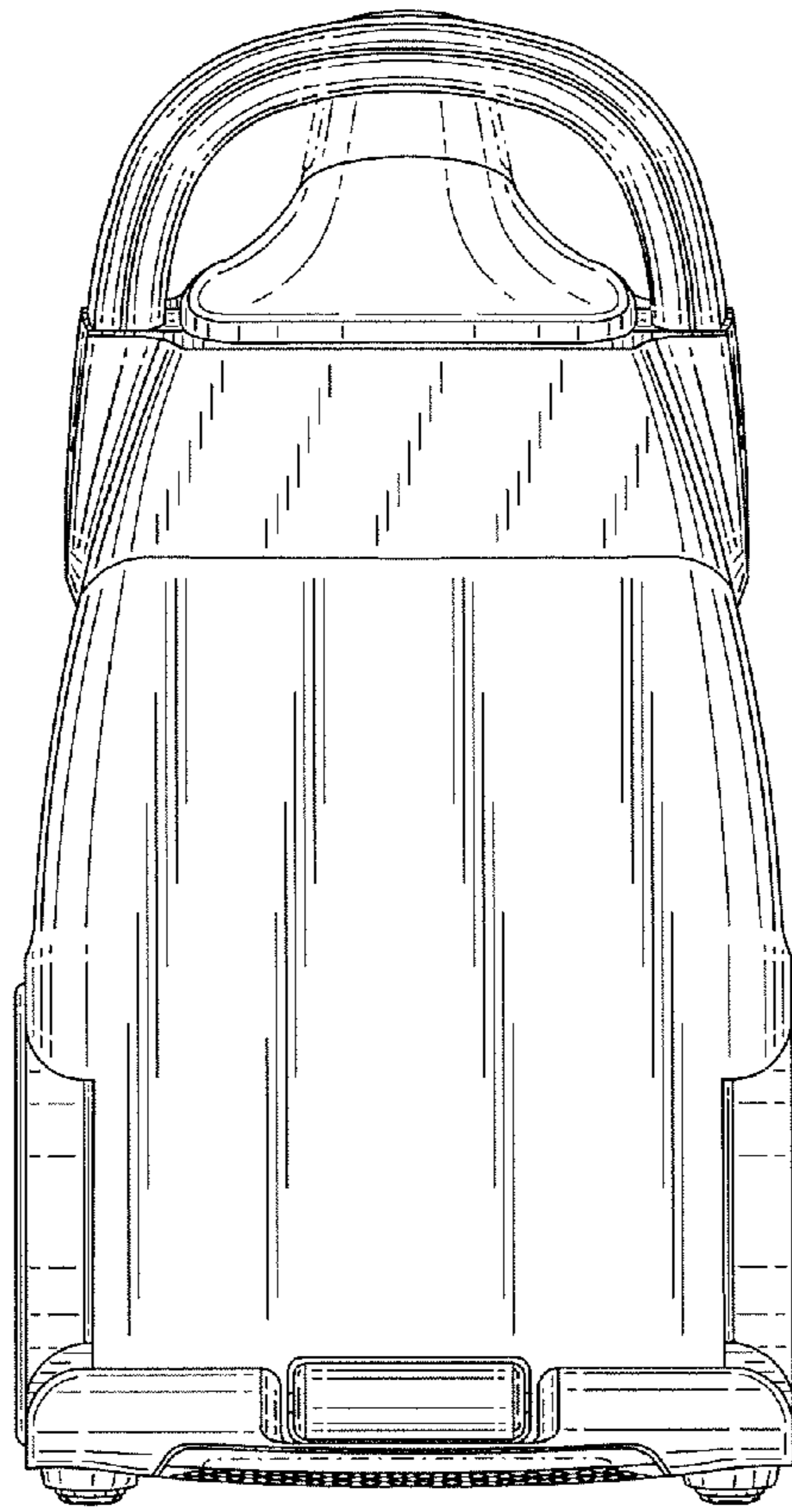


FIG. 7

UNITED STATES PATENT AND TRADEMARK OFFICE
CERTIFICATE OF CORRECTION

PATENT NO. : D668,406 S
APPLICATION NO. : 29/368192
DATED : October 2, 2012
INVENTOR(S) : Gyoo Sang Choi et al.

Page 1 of 1

It is certified that error appears in the above-identified patent and that said Letters Patent is hereby corrected as shown below:

Title Page, item (73), Assignee: "Saumsung" should read --Samsung--.

Signed and Sealed this
Fifth Day of February, 2013



Teresa Stanek Rea
Acting Director of the United States Patent and Trademark Office