

US00D668405S

(12) **United States Design Patent**
Crawley

(10) **Patent No.:** **US D668,405 S**

(45) **Date of Patent:** **** Oct. 2, 2012**

(54) **HAND-HELD VACUUM CLEANER**

(75) Inventor: **Graeme Crawley**, Newcastle-upon-Tyne
(GB)

(73) Assignee: **Black & Decker Inc.**, Newark, DE (US)

(**) Term: **14 Years**

(21) Appl. No.: **29/402,456**

(22) Filed: **Sep. 23, 2011**

(30) **Foreign Application Priority Data**

Jun. 3, 2011 (EM) 001279087

(51) **LOC (9) Cl.** **15-05**

(52) **U.S. Cl.** **D32/18**

(58) **Field of Classification Search** D32/17-18,
D32/22, 31; 15/320-321, 350-354, 415.1-422,
15/329, 344, 361, 410-411, 347, 1.7, DIG. 1;
55/DIG. 3

See application file for complete search history.

(56) **References Cited**

U.S. PATENT DOCUMENTS

D536,492	S	*	2/2007	Rosenzweig	D32/17
D541,495	S	*	4/2007	DiPasquale et al.	D32/18
D549,406	S	*	8/2007	Rosenzweig	D32/17
D555,848	S	*	11/2007	DiPasquale et al.	D32/18
D595,462	S	*	6/2009	Crawley	D32/18
2011/0219570	A1	*	9/2011	Conrad	15/344

* cited by examiner

Primary Examiner — Ruth McInroy

(74) *Attorney, Agent, or Firm* — John Yun

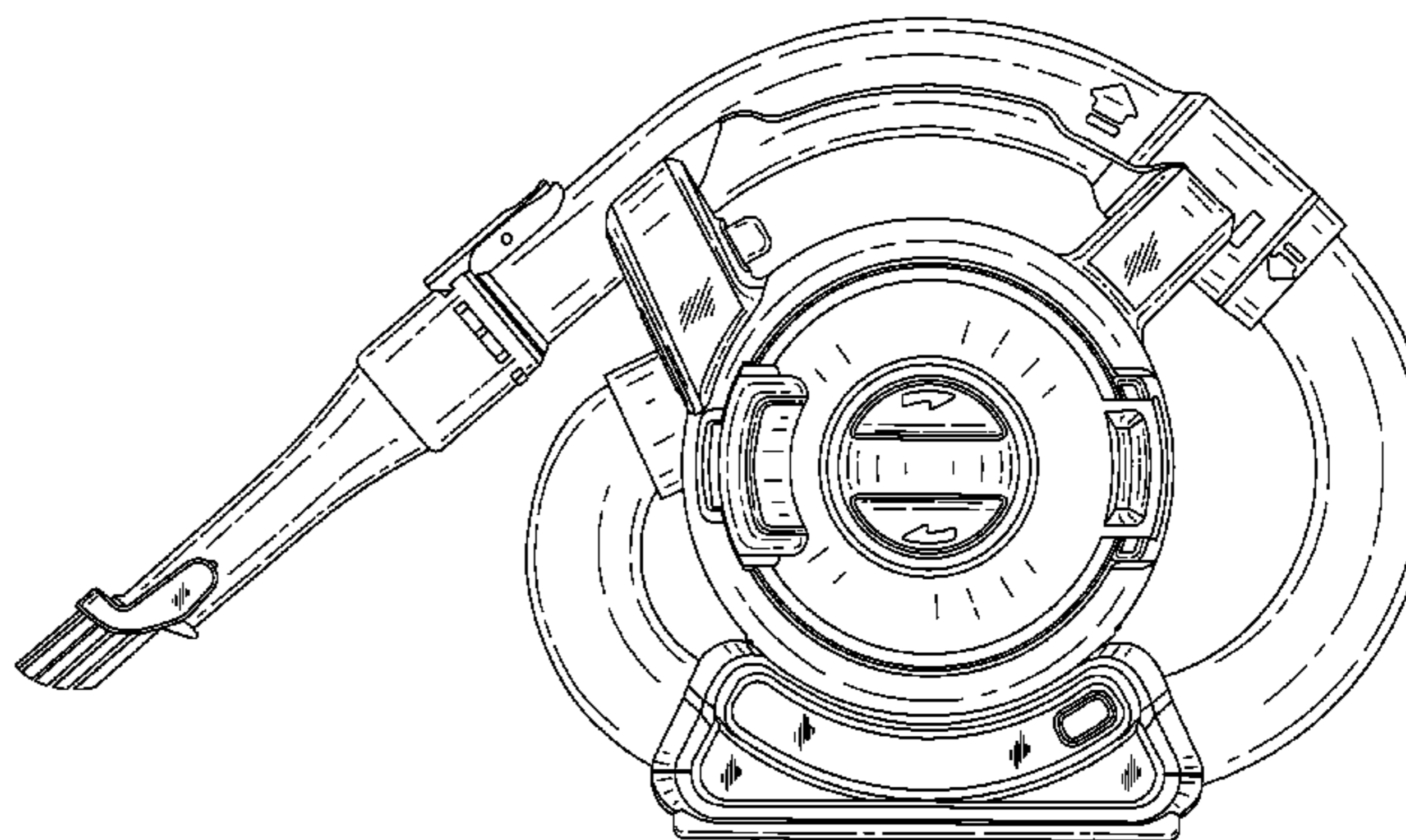
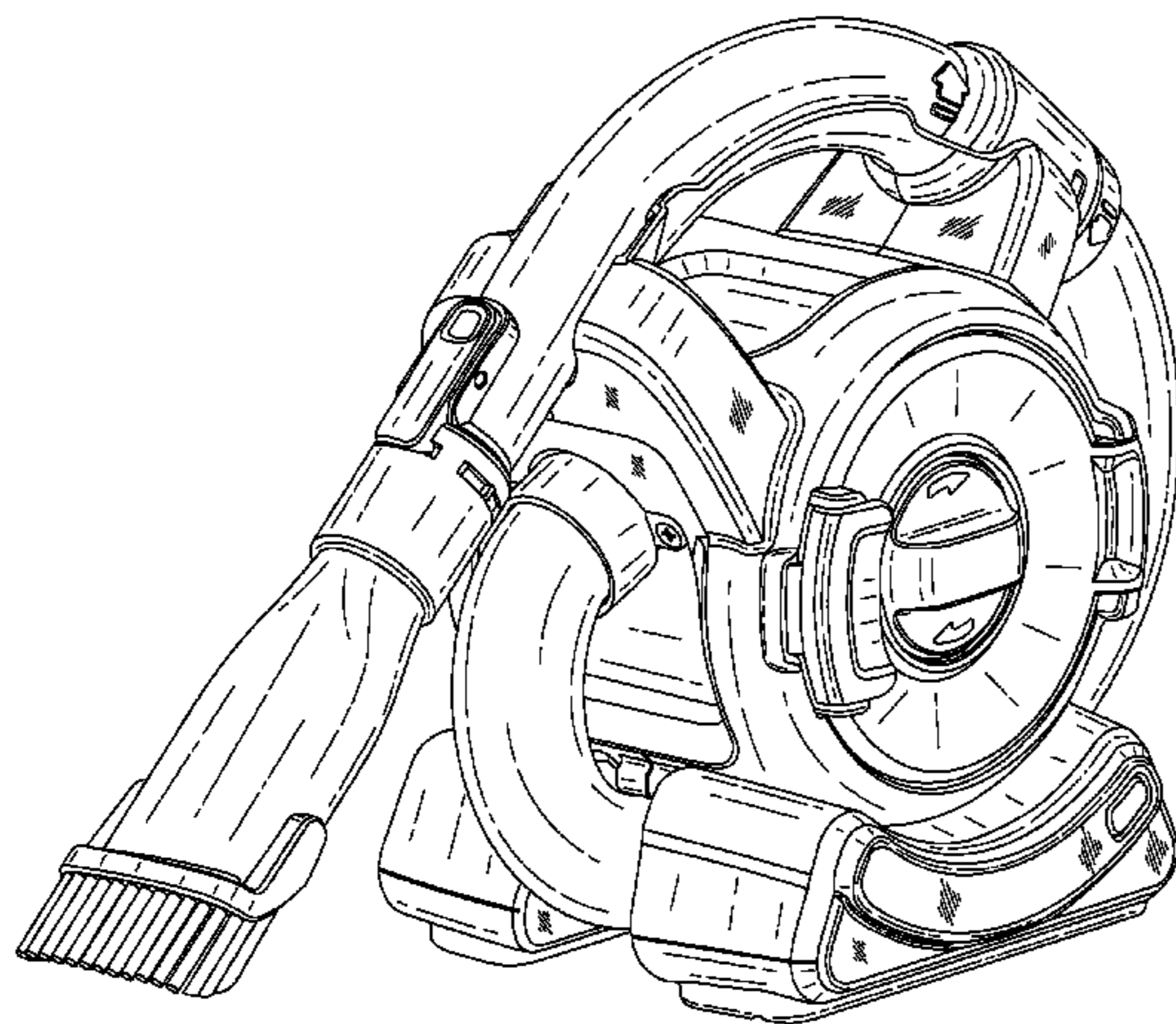
(57) **CLAIM**

The ornamental design for a hand-held vacuum cleaner, as shown and described.

DESCRIPTION

FIG. 1 is a perspective view of a hand-held vacuum cleaner showing my new design;
FIG. 2 is a left side view thereof
FIG. 3 is a right side view thereof;
FIG. 4 is a front view thereof;
FIG. 5 is a rear view thereof;
FIG. 6 is a top plan view thereof; and,
FIG. 7 is a bottom plan view thereof.

1 Claim, 7 Drawing Sheets



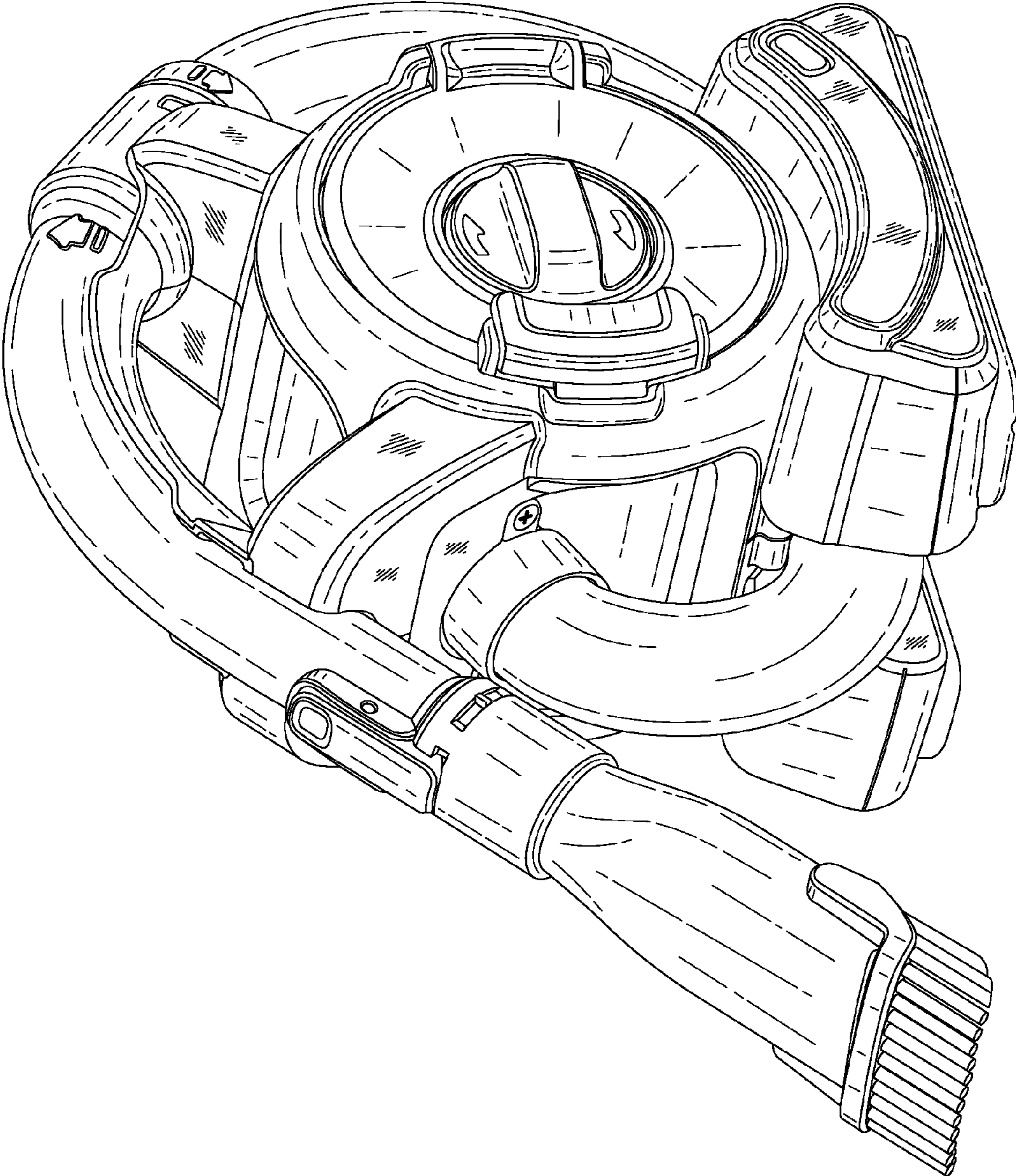


FIG. 1

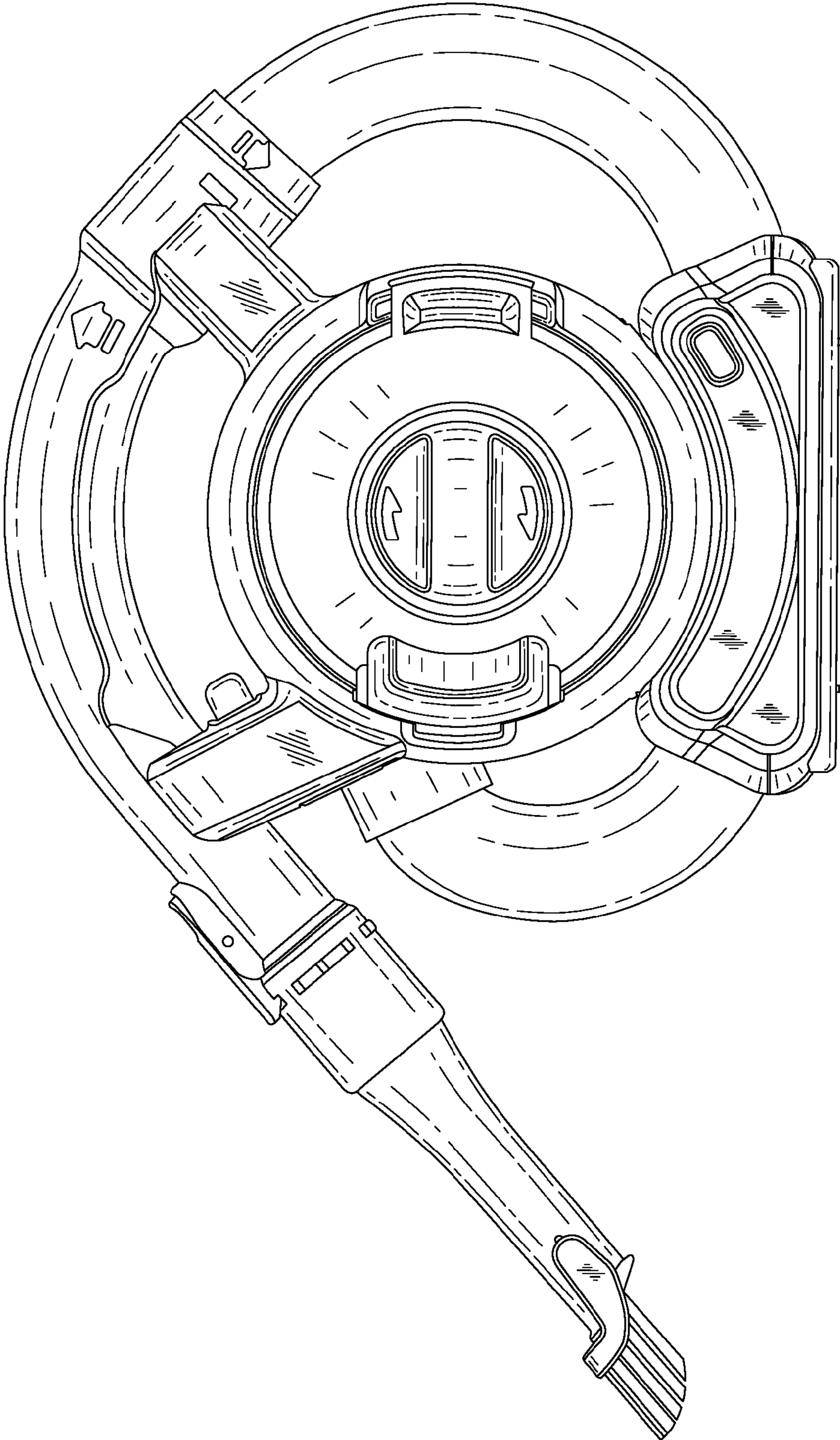


FIG. 2

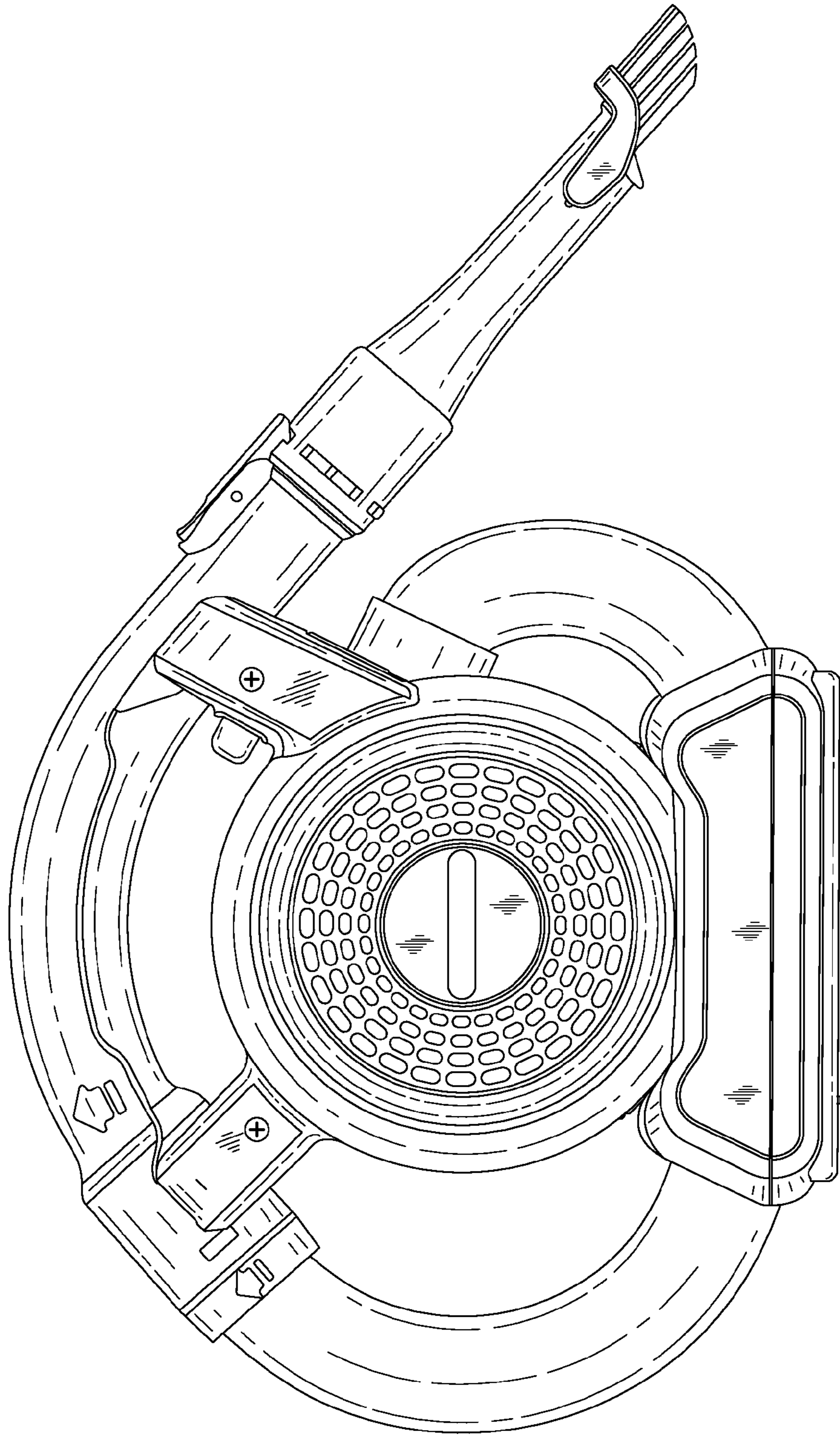


FIG. 3

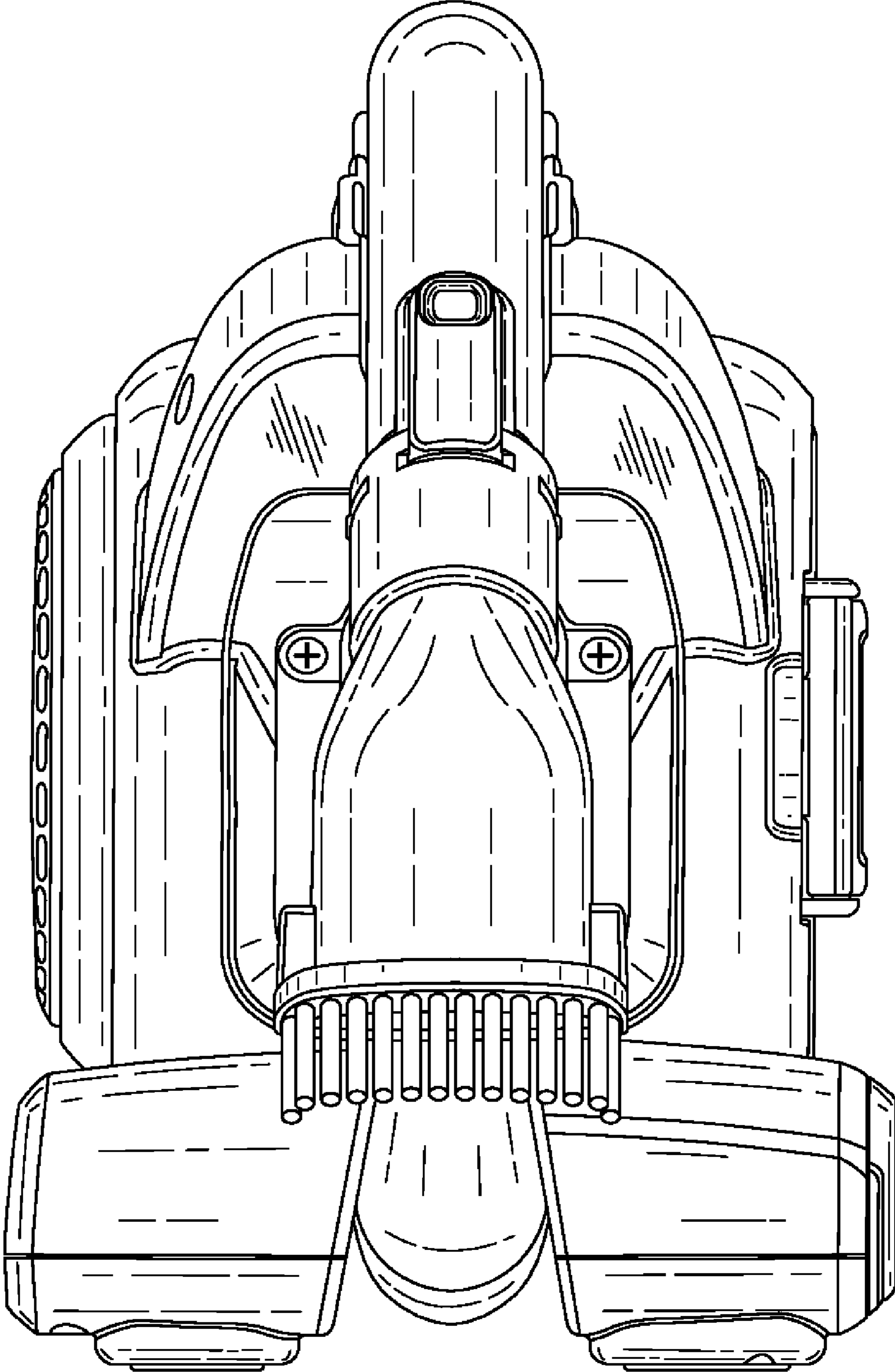


FIG. 4

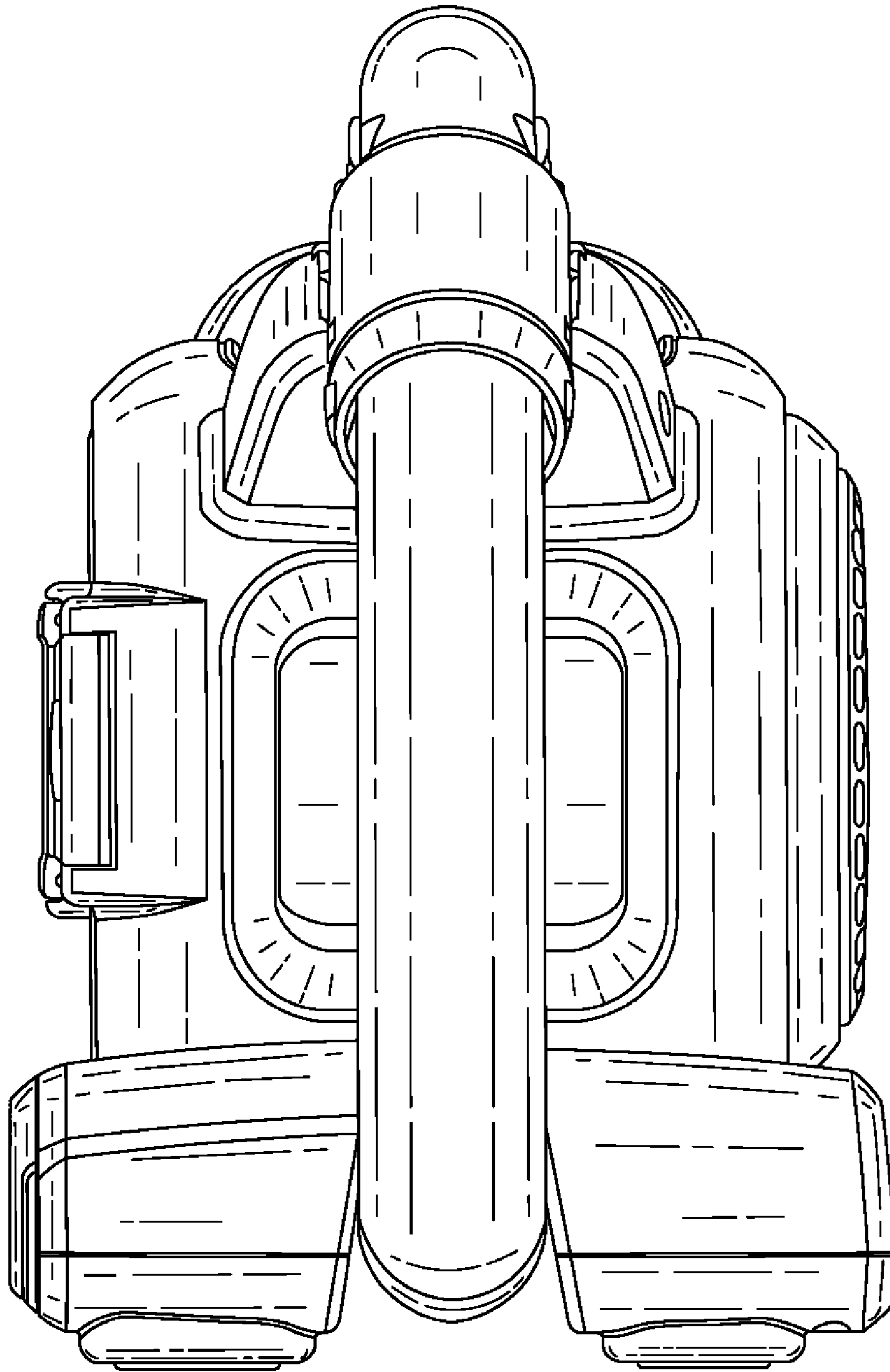


FIG. 5

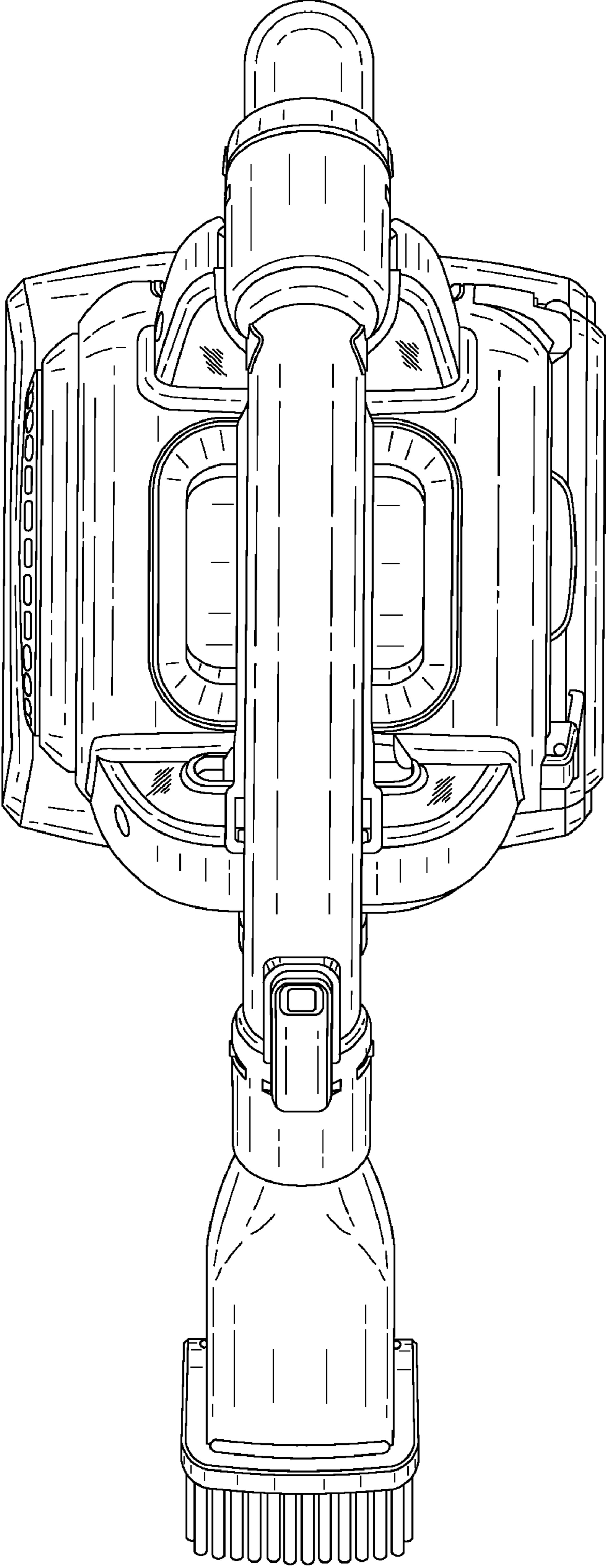


FIG. 6

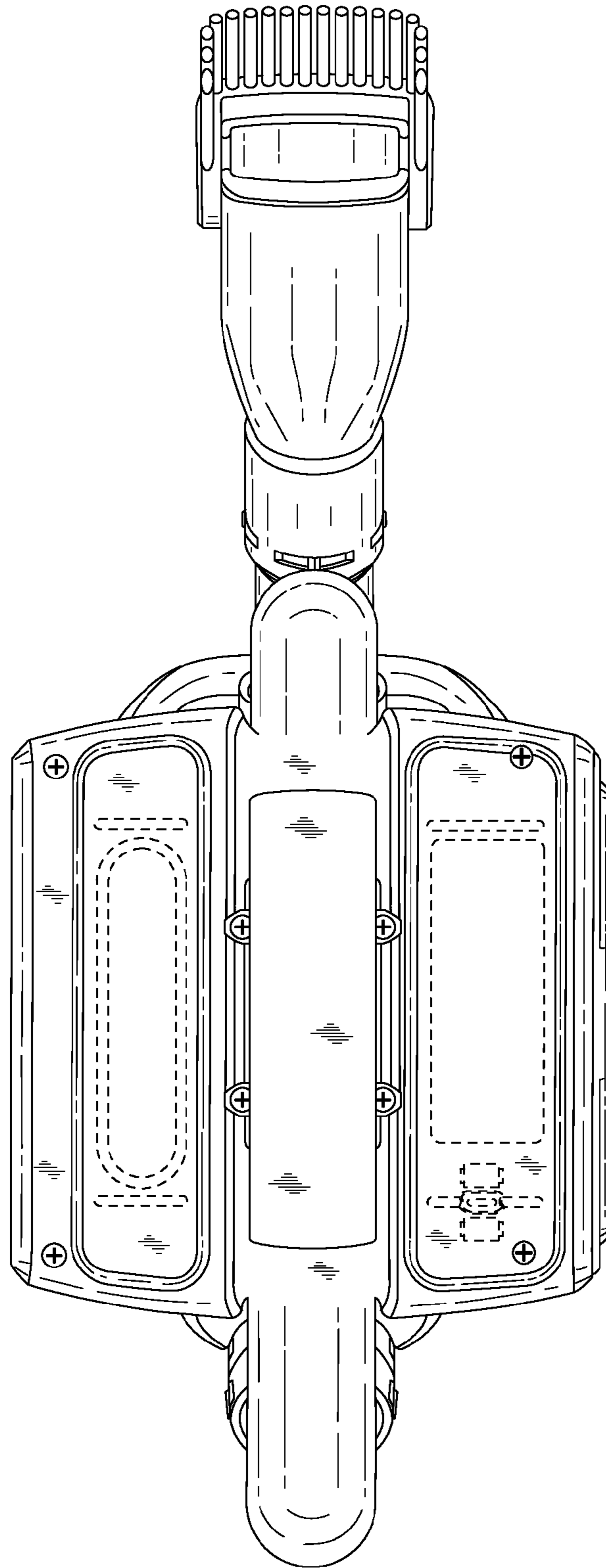


FIG. 7