



US00D668404S

(12) **United States Design Patent**
Eng et al.

(10) **Patent No.:** **US D668,404 S**
(45) **Date of Patent:** **** Oct. 2, 2012**

(54) **DISHWASHER DOOR**

(75) Inventors: **Lindsay Eng**, Long Beach, CA (US);
Thomas Ott, Neubiberg (DE)
(73) Assignee: **BSH Home Appliances Corporation**,
Irvine, CA (US)
(**) Term: **14 Years**

(21) Appl. No.: **29/418,059**

(22) Filed: **Apr. 12, 2012**

(51) **LOC (9) Cl.** **15-05**

(52) **U.S. Cl.** **D32/3**

(58) **Field of Classification Search** D32/1,
D32/2, 3, 25, 28; 312/31, 109, 228; 134/56 D,
134/57 D, 58 D, 58 DL, 201; D7/340, 348,
D7/349, 350, 405

See application file for complete search history.

(56) **References Cited**

U.S. PATENT DOCUMENTS

D191,224 S *	8/1961	Fay	D32/2
5,365,959 A *	11/1994	Favaro	134/113
D493,582 S *	7/2004	Ott et al.	D32/3
D493,583 S *	7/2004	Kaczmarek	D32/3
D501,963 S *	2/2005	Kaczmarek	D32/3
D519,689 S *	4/2006	Ott et al.	D32/3
D544,657 S *	6/2007	Jung et al.	D32/2
D554,305 S	10/2007	Pietruska		
D559,477 S	1/2008	Pietruska		
D580,603 S	11/2008	Busalt et al.		
D617,510 S	6/2010	Kaczmarek		
D618,403 S	6/2010	Kaczmarek		
D618,404 S	6/2010	Jenkins et al.		
D618,405 S	6/2010	Ott		
D618,406 S	6/2010	Ott		
D620,648 S	7/2010	Grobleben et al.		
D627,938 S *	11/2010	Kim	D32/2
D629,574 S	12/2010	Kaczmarek		
D629,979 S	12/2010	Kaczmarek		

(Continued)

OTHER PUBLICATIONS

U.S. Appl. No. 29/405,771, filed Nov. 7, 2011.

(Continued)

Primary Examiner — T. Chase Nelson

Assistant Examiner — Kathleen M Sims

(74) *Attorney, Agent, or Firm* — James E. Howard; Andre Pallapies

(57) **CLAIM**

The ornamental design for a dishwasher door, as shown and described.

DESCRIPTION

FIG. 1 is a front perspective view, from the top, according to a first embodiment a dishwasher door showing our new design;

FIG. 2 is a front view thereof;

FIG. 3 is a top view thereof;

FIG. 4 is a left side view thereof, with the right hand side view thereof being a mirror image thereof;

FIG. 5 is a partial front perspective view thereof from the bottom;

FIG. 6 is a front perspective view, from the top, according to a second embodiment of a dishwasher door showing our new design;

FIG. 7 is a front view thereof;

FIG. 8 is a top view thereof;

FIG. 9 is a left side view thereof, with the right side view thereof being a mirror image thereof; and,

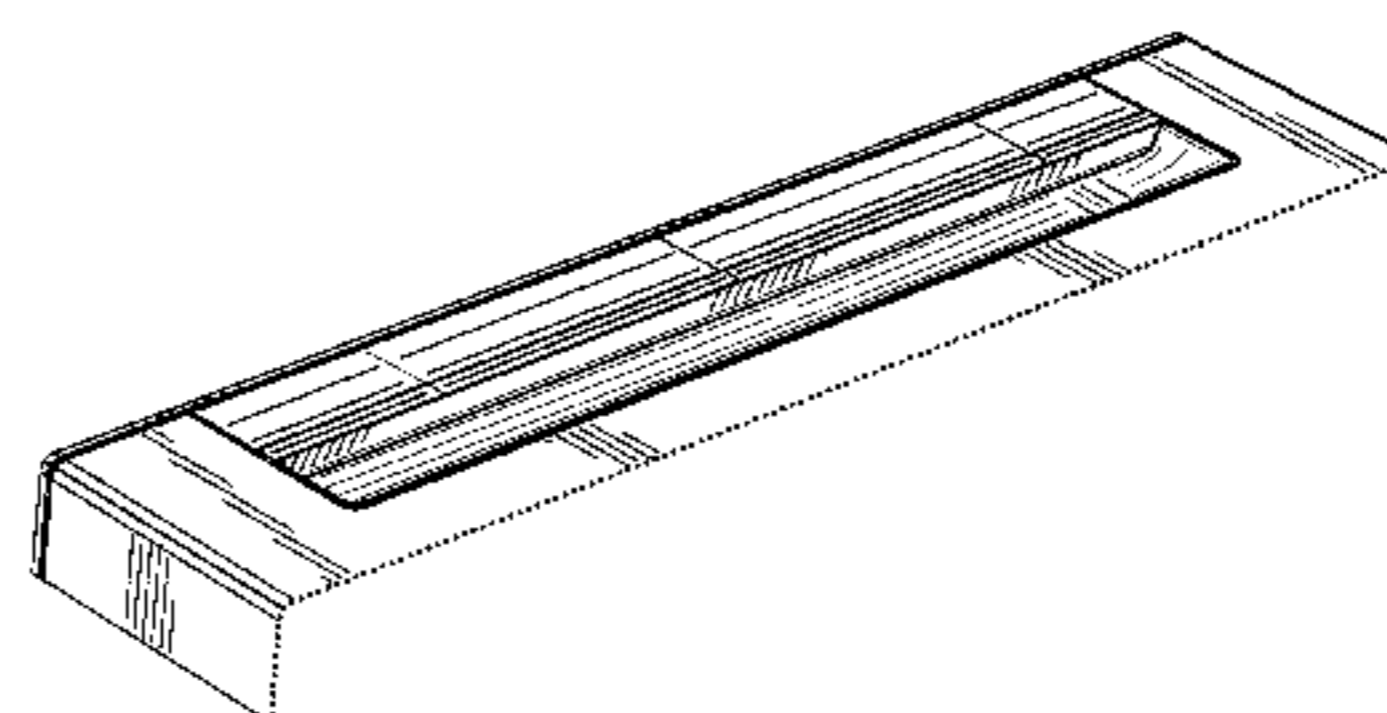
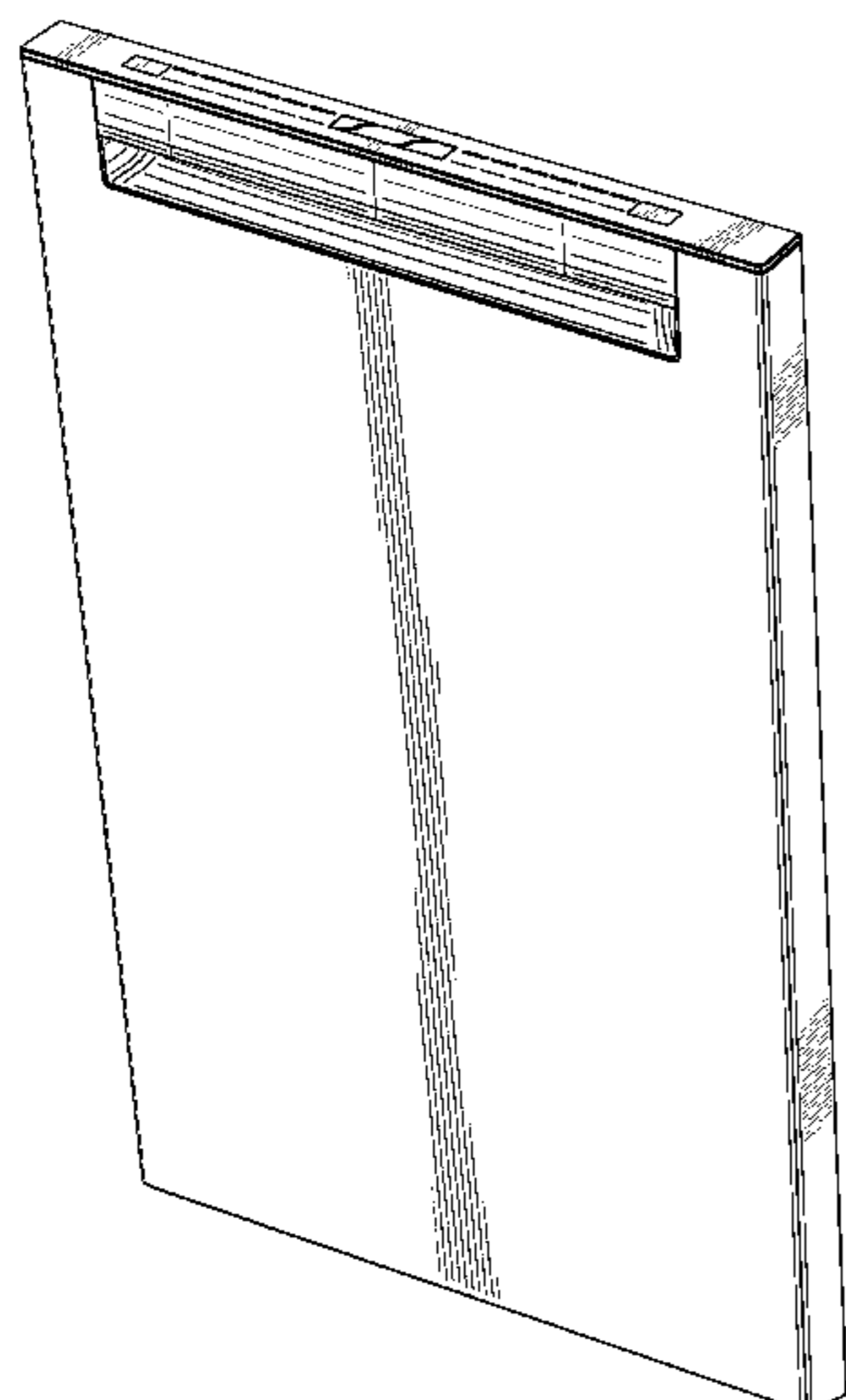
FIG. 10 is a partial front perspective view thereof taken from the bottom.

The dotted line showing of details in FIGS. 5 and 10 is included for the purpose of indicating the line along which the partial views are taken.

The broken lines of the dishwasher, dishwasher compartment and/or components thereof show surrounding structure or environment and do not form part of the claimed design.

The bottom and rear parts of the dishwasher door, and the bottom, rear and top of the dishwasher compartment are unornamented and form no part of the claimed design.

1 Claim, 8 Drawing Sheets



US D668,404 S

Page 2

U.S. PATENT DOCUMENTS

D630,804 S 1/2011 Ott
D630,805 S 1/2011 Ott
D630,806 S 1/2011 Kaczmarek
D633,664 S 3/2011 Jenkins et al.
D635,311 S 3/2011 Ott
D635,312 S 3/2011 Kaczmarek
D640,429 S 6/2011 Grobleben et al.
D641,939 S 7/2011 Ott
D642,751 S 8/2011 Jenkins et al.
D645,620 S 9/2011 Ott
D645,621 S 9/2011 Jenkins et al.
D647,916 S 11/2011 Kaczmarek

D648,740 S 11/2011 Kaczmarek
D649,559 S 11/2011 Kaczmarek
D653,821 S 2/2012 Grobleben et al.

OTHER PUBLICATIONS

U.S. Appl. No. 29/403,660, filed Oct. 10, 2011.
U.S. Appl. No. 29/403,659, filed Oct. 10, 2011.
U.S. Appl. No. 29/418,060, filed Apr. 12, 2012.
U.S. Appl. No. 29/417,549, filed Apr. 5, 2012.
U.S. Appl. No. 29/418,058, filed Apr. 12, 2012.
U.S. Appl. No. 29/403,658, filed Oct. 10, 2011.

* cited by examiner

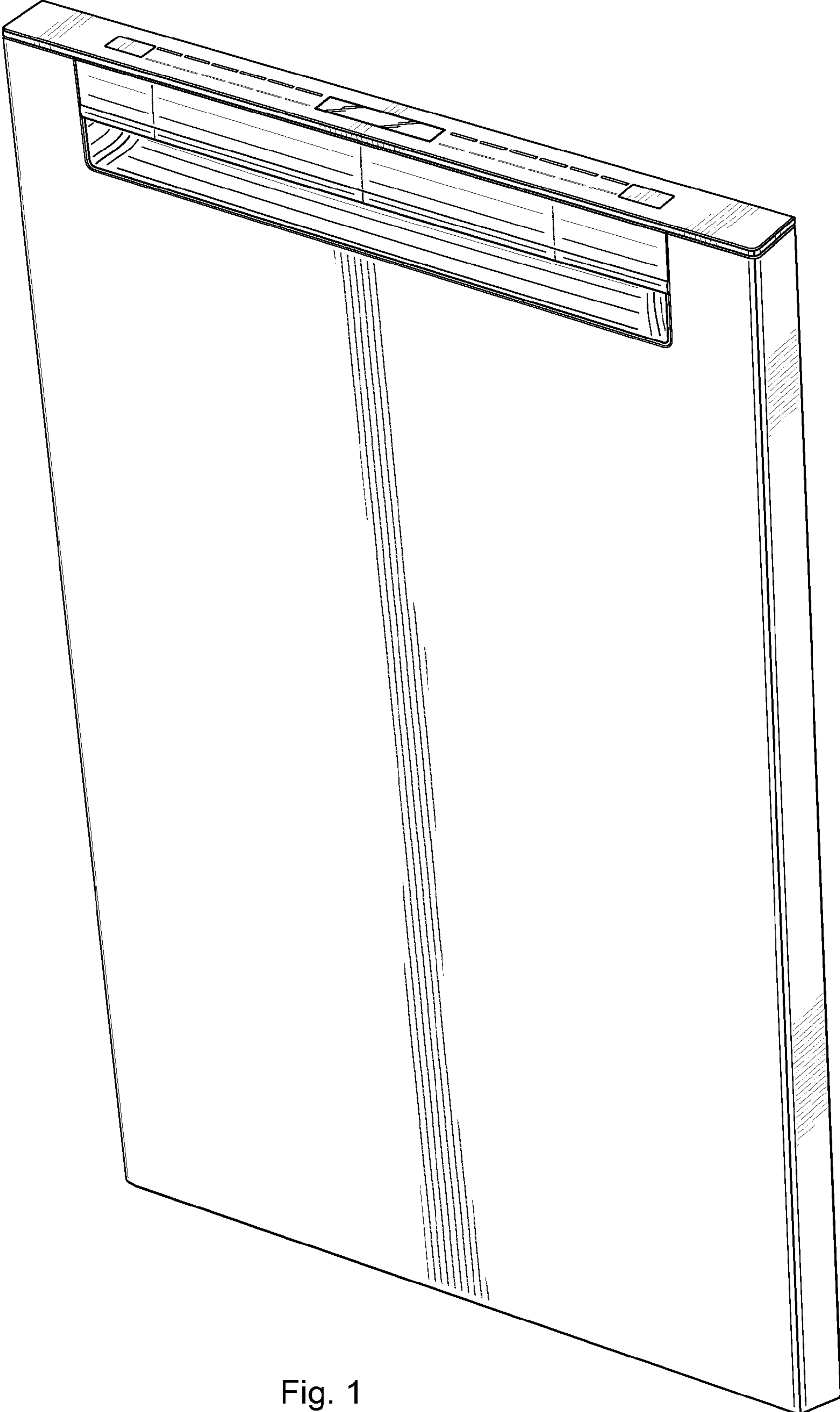


Fig. 1

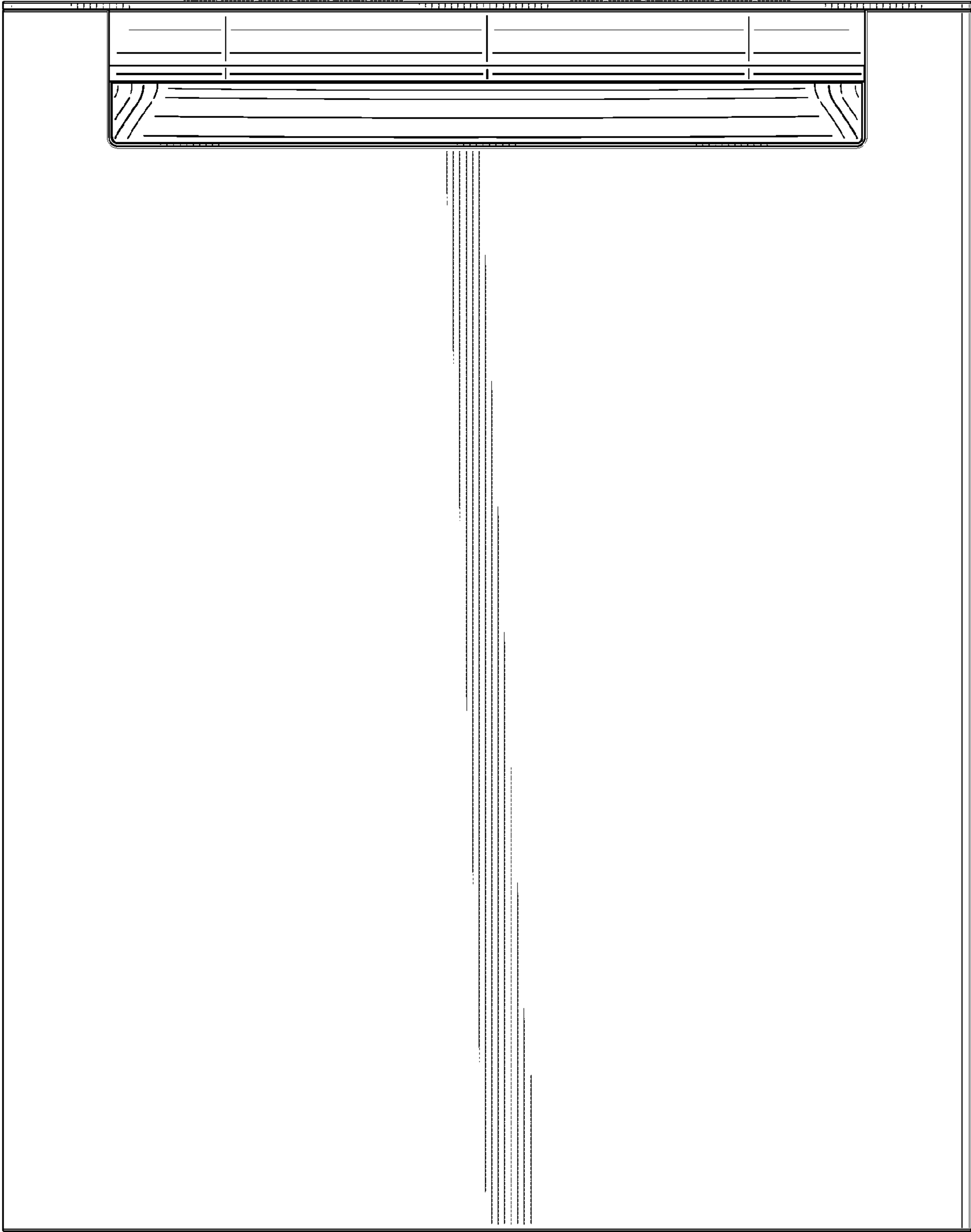


Fig. 2

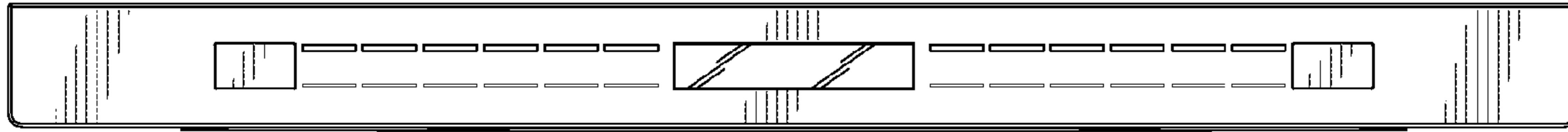


Fig. 3

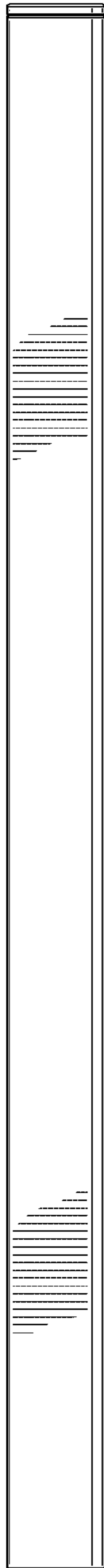


Fig. 4

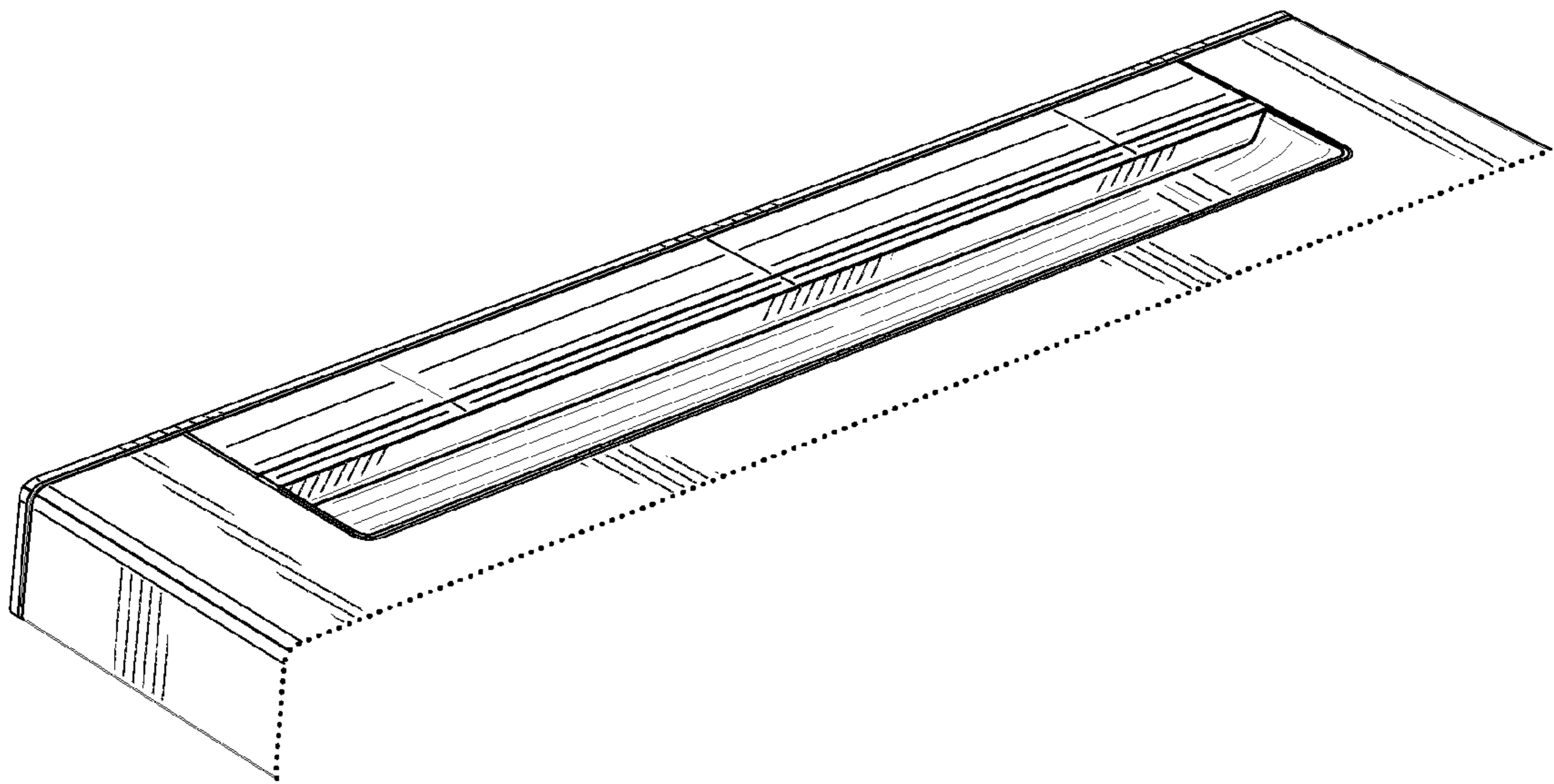


Fig. 5

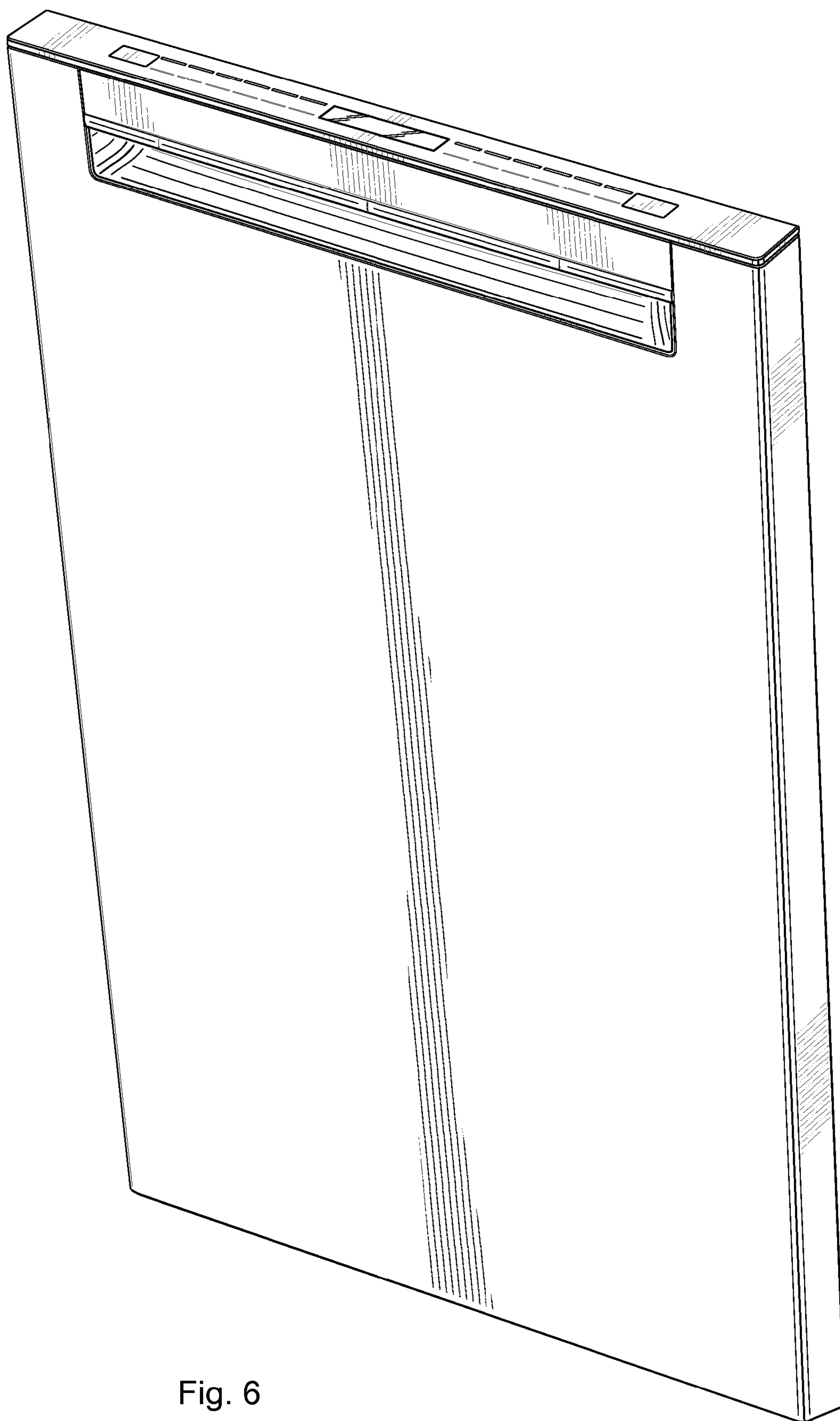


Fig. 6

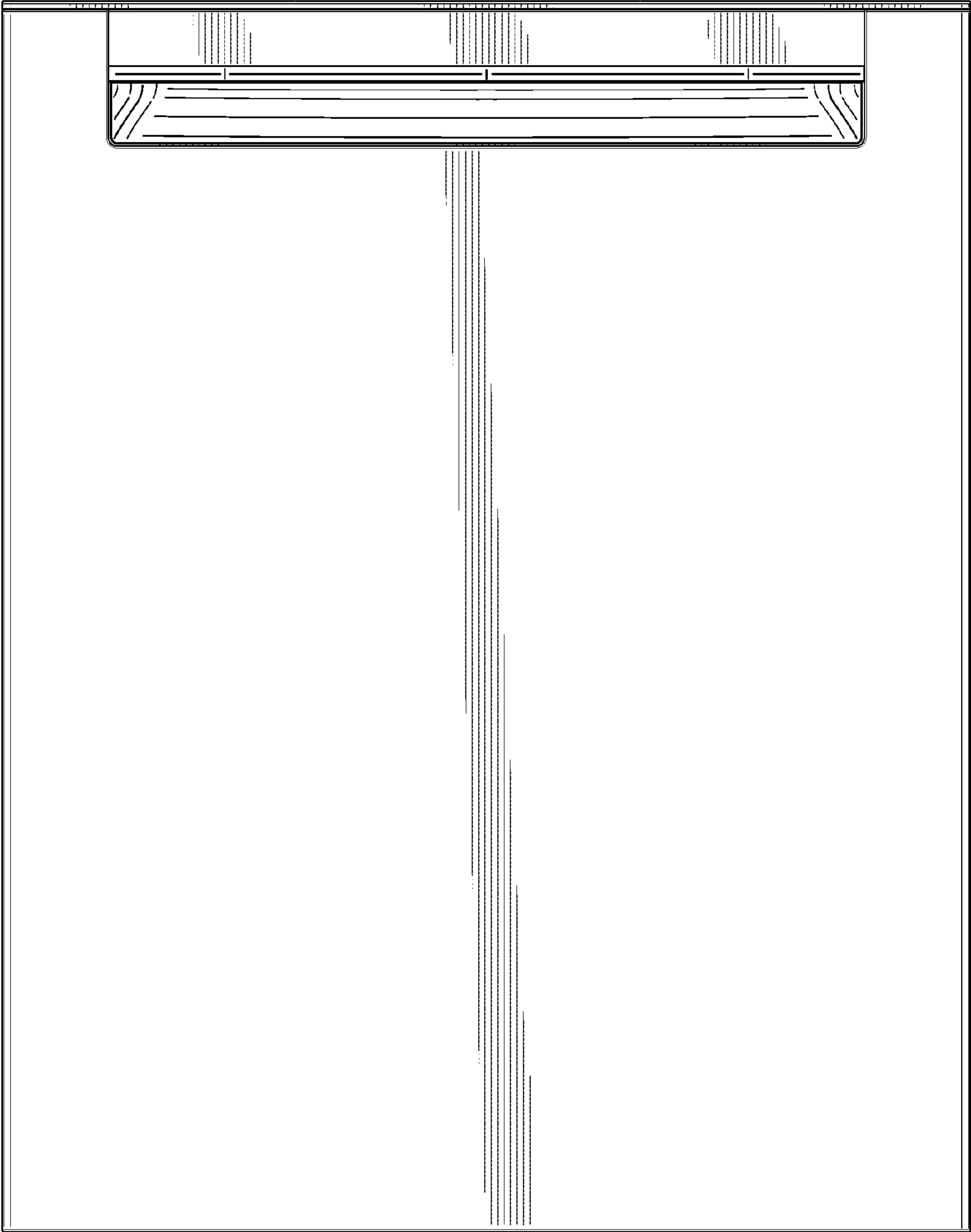


Fig. 7

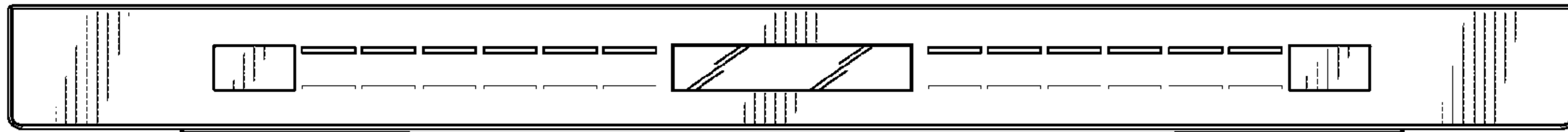


Fig. 8

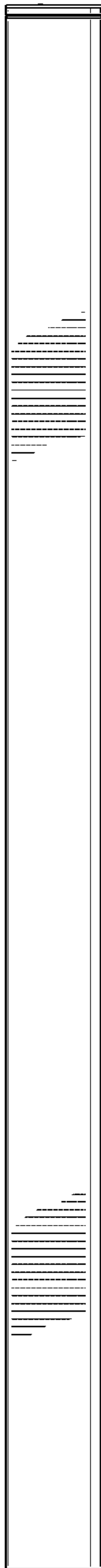


Fig. 9

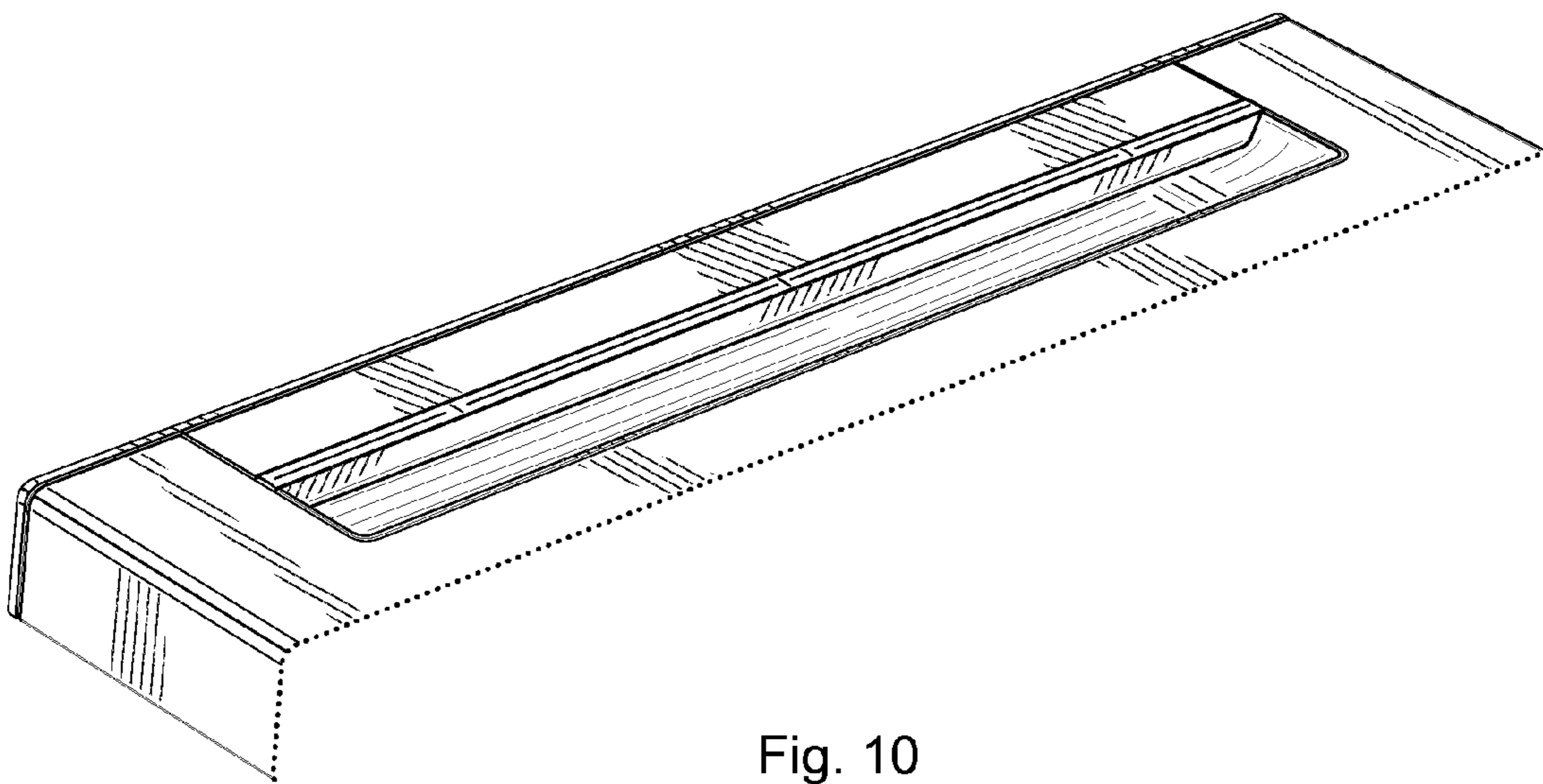


Fig. 10