



US00D668401S

(12) **United States Design Patent**
Eng

(10) **Patent No.:** **US D668,401 S**
(45) **Date of Patent:** **** Oct. 2, 2012**

(54) **DISHWASHER ACCESSORY**

DESCRIPTION

- (75) Inventor: **Lindsay Eng**, Long Beach, CA (US)
- (73) Assignee: **BSH Home Appliances Corporation**, Irvine, CA (US)
- (**) Term: **14 Years**
- (21) Appl. No.: **29/393,079**
- (22) Filed: **May 31, 2011**
- (51) **LOC (9) Cl.** **15-05**
- (52) **U.S. Cl.** **D32/3**
- (58) **Field of Classification Search** D32/1, D32/2, 3, 25; 134/56 D, 57 D, 58 D, 201; 211/41.8, 41.9; 220/488, 555; 68/212
See application file for complete search history.

FIG. 1 is a front perspective view of a dishwasher accessory according to a first embodiment showing my new ornamental design;

FIG. 2 is a front view thereof, with the rear view being identical;

FIG. 3 is a top view thereof;

FIG. 4 is a bottom view thereof;

FIG. 5 is a left side view thereof with the right side view thereof being a mirror image thereof;

FIG. 6 is a left side view thereof in a position in which the dishwasher accessory is assembled or attached to a dishwasher rack;

FIG. 7 is a perspective view thereof in the position where the dishwasher accessory is assembled or attached to the dishwasher rack;

FIG. 8 is a front perspective view of a dishwasher accessory according to a second embodiment showing my new ornamental design;

FIG. 9 is a front view thereof, with the rear view being identical;

FIG. 10 is a top view thereof;

FIG. 11 is a bottom view thereof;

FIG. 12 is a left side view thereof with the right side view thereof being a mirror image thereof;

FIG. 13 is a left side view thereof in a position in which the dishwasher accessory is assembled or attached to a dishwasher rack; and,

FIG. 14 is a perspective view thereof in the position where the dishwasher accessory is assembled or attached to the dishwasher rack.

The broken lines show surrounding structure or environment and do not form part of the claimed design.

In the embodiments of FIGS. 1-14, the dishwasher accessory is made of a resilient material that may be elastically deformed such that the claws may be stretched in opposite directions, after which they tend to return to their original position where the legs of the support structure (e.g., for pots/bowls, etc.) may be parallel to one another (e.g., see FIG. 7) rather than converging towards one another (e.g., see FIG. 2).

(56) **References Cited**

U.S. PATENT DOCUMENTS

D164,197 S *	8/1951	Planeta	D32/55
2,708,037 A *	5/1955	Planeta	211/74
2,798,616 A *	7/1957	Maslow	211/41.8
2,971,652 A *	2/1961	Getchell et al.	211/41.8
3,454,018 A *	7/1969	Ruddick	134/57 R
3,669,278 A *	6/1972	Heroy	211/184
4,589,556 A *	5/1986	Peretz	211/41.9

(Continued)

OTHER PUBLICATIONS

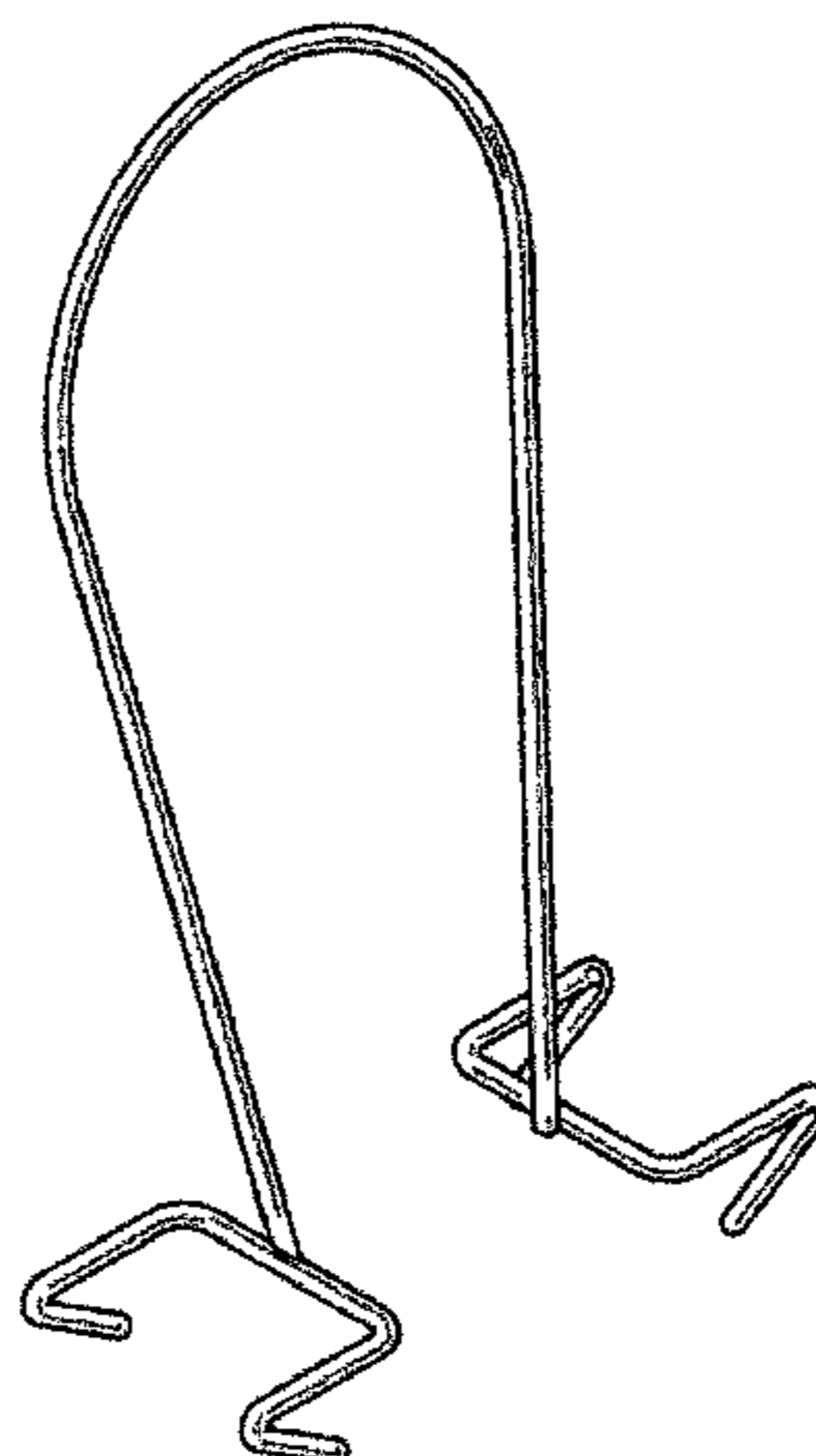
Bosch, 2009 Home Appliances Full Product Line, catalog printed Jul. 2009, featuring on p. 23 Dishwasher Accessory Kit.

Primary Examiner — T. Chase Nelson
Assistant Examiner — Kathleen M Sims
(74) *Attorney, Agent, or Firm* — James E. Howard; Andre Pallapies

(57) **CLAIM**

The ornamental design for a dishwasher accessory, as shown and described.

1 Claim, 6 Drawing Sheets



US D668,401 S

Page 2

U.S. PATENT DOCUMENTS

4,592,471	A *	6/1986	Bross	211/41.2	D518,615	S *	4/2006	Yang et al.	D32/55
5,119,947	A *	6/1992	Stewart	211/41.2	7,228,975	B2 *	6/2007	Yang et al.	211/41.4
D337,345	S *	7/1993	Gracie	D17/99	7,766,175	B2 *	8/2010	Jadhav et al.	211/41.9
D370,323	S *	5/1996	Lafond	D32/55	2009/0090681	A1 *	4/2009	Graute	211/41.9
D439,716	S *	3/2001	Wright	D32/55	2009/0120883	A1 *	5/2009	Jadhav et al.	211/41.9
6,364,130	B2 *	4/2002	Wright	211/41.3						

* cited by examiner

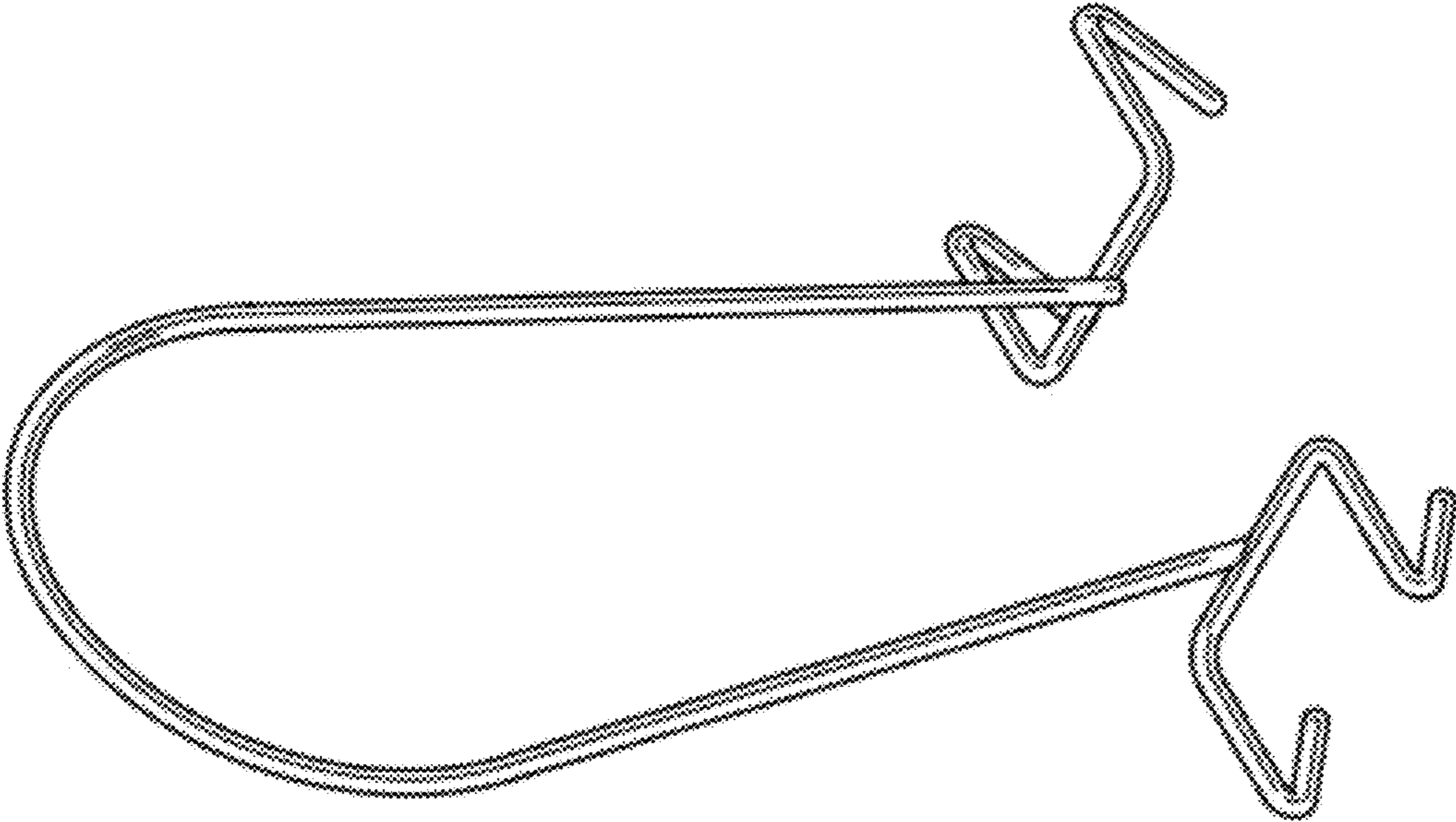


FIG. 1

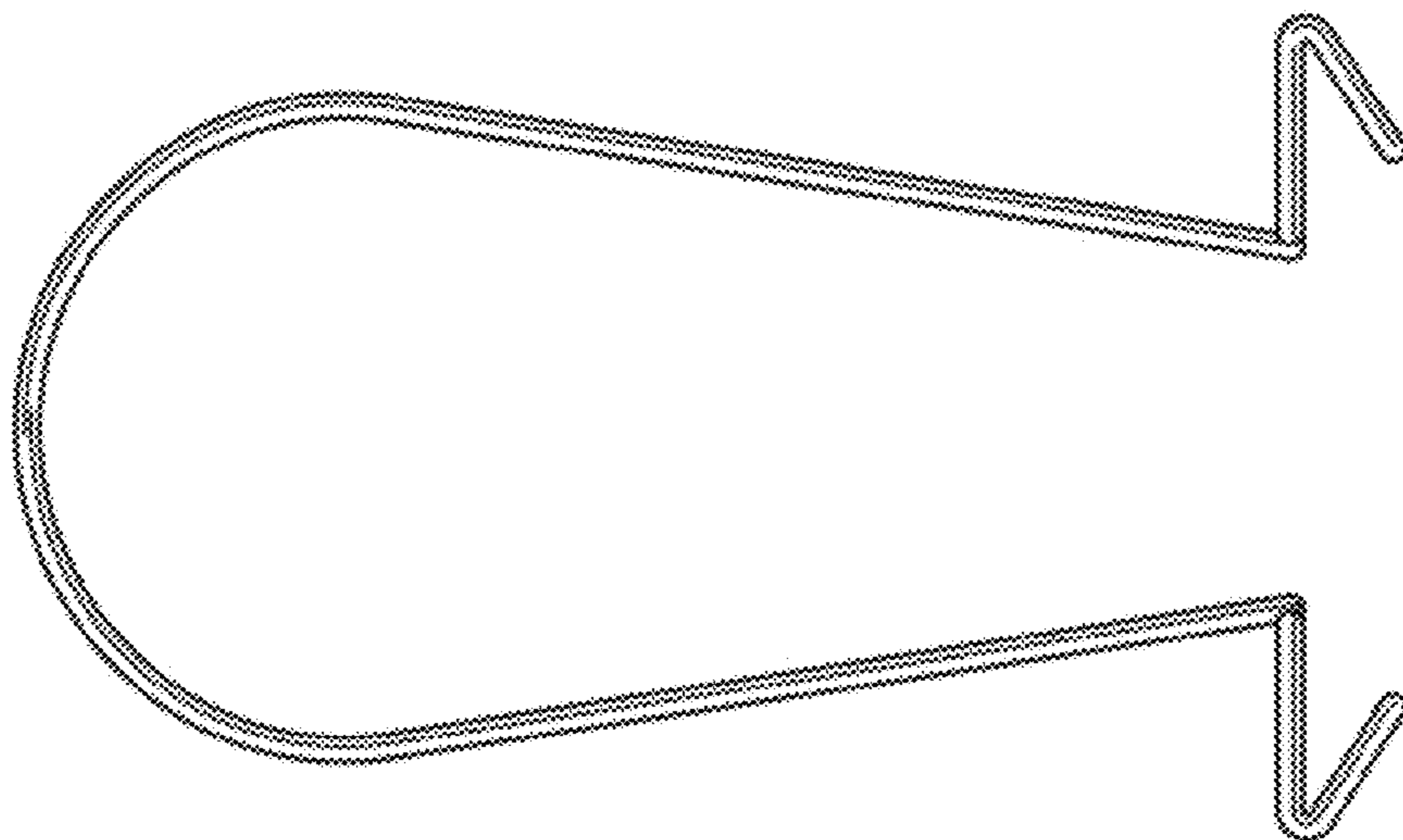


FIG. 2

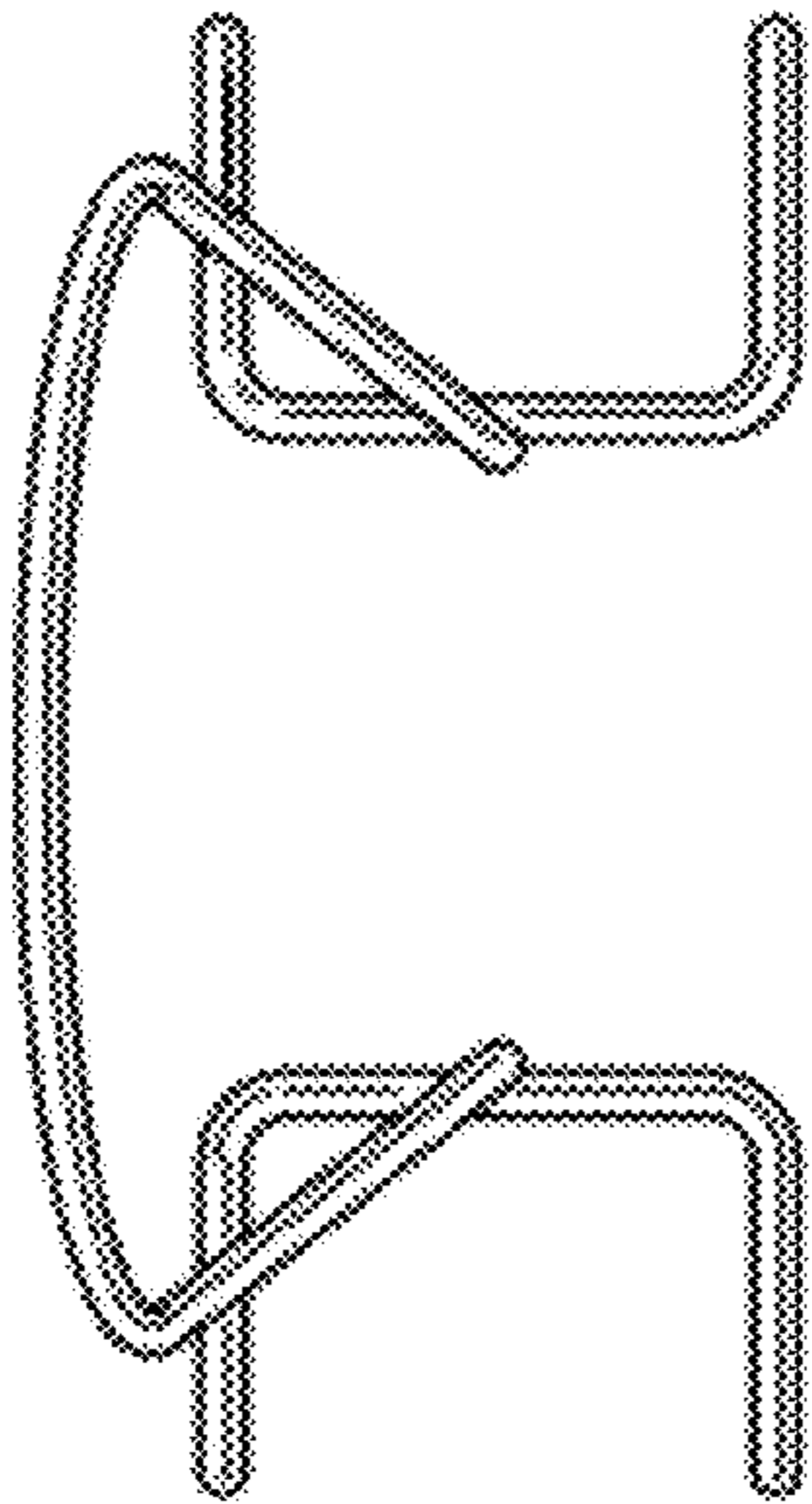


FIG. 3

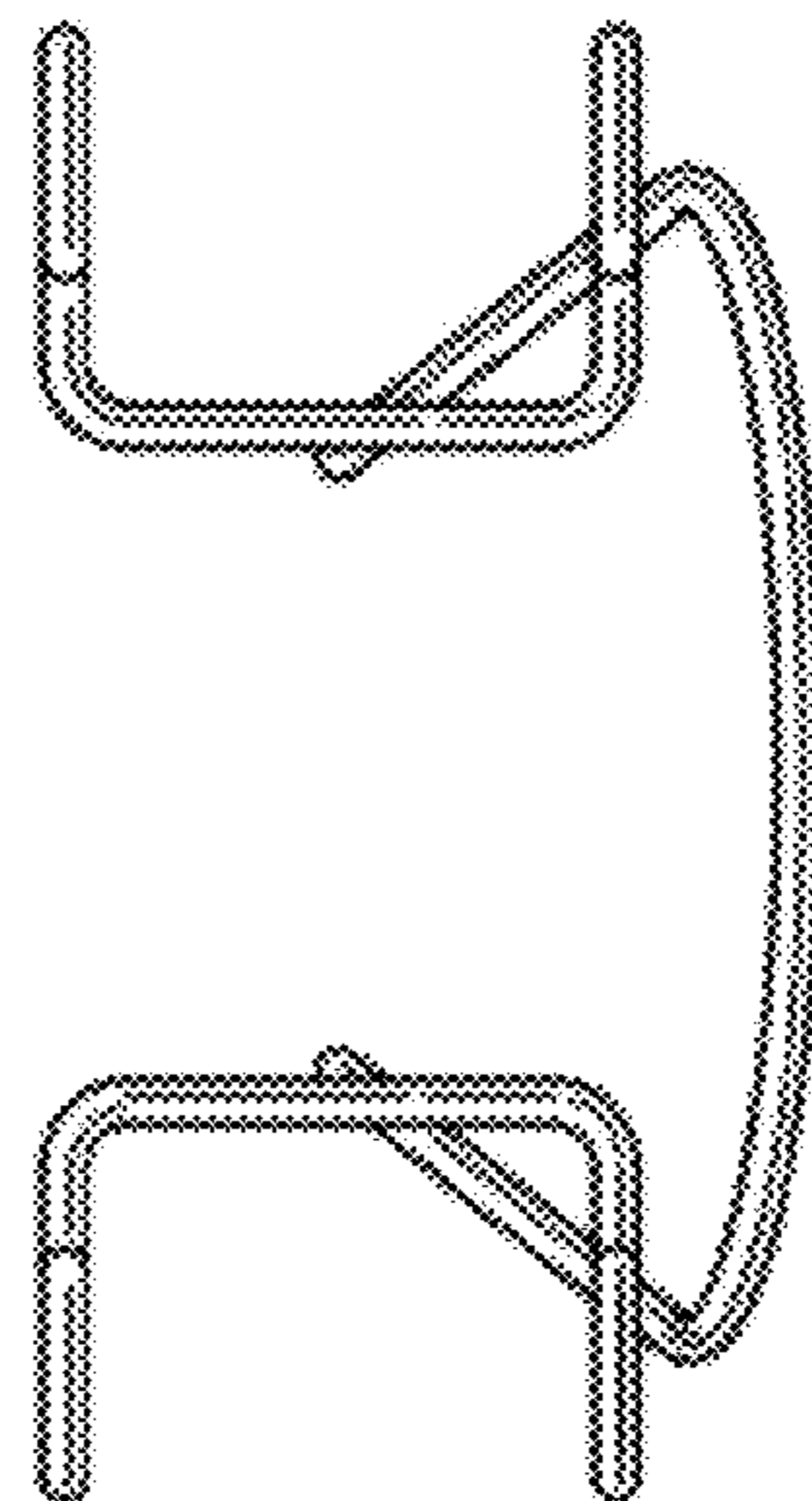


FIG. 4

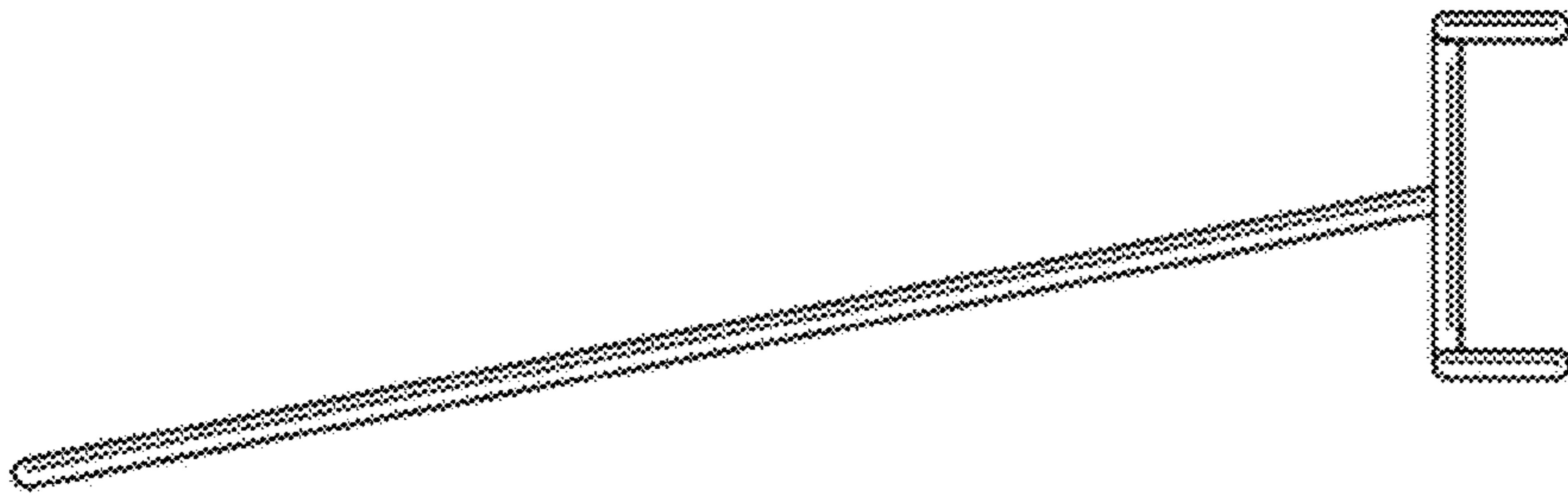


FIG. 5

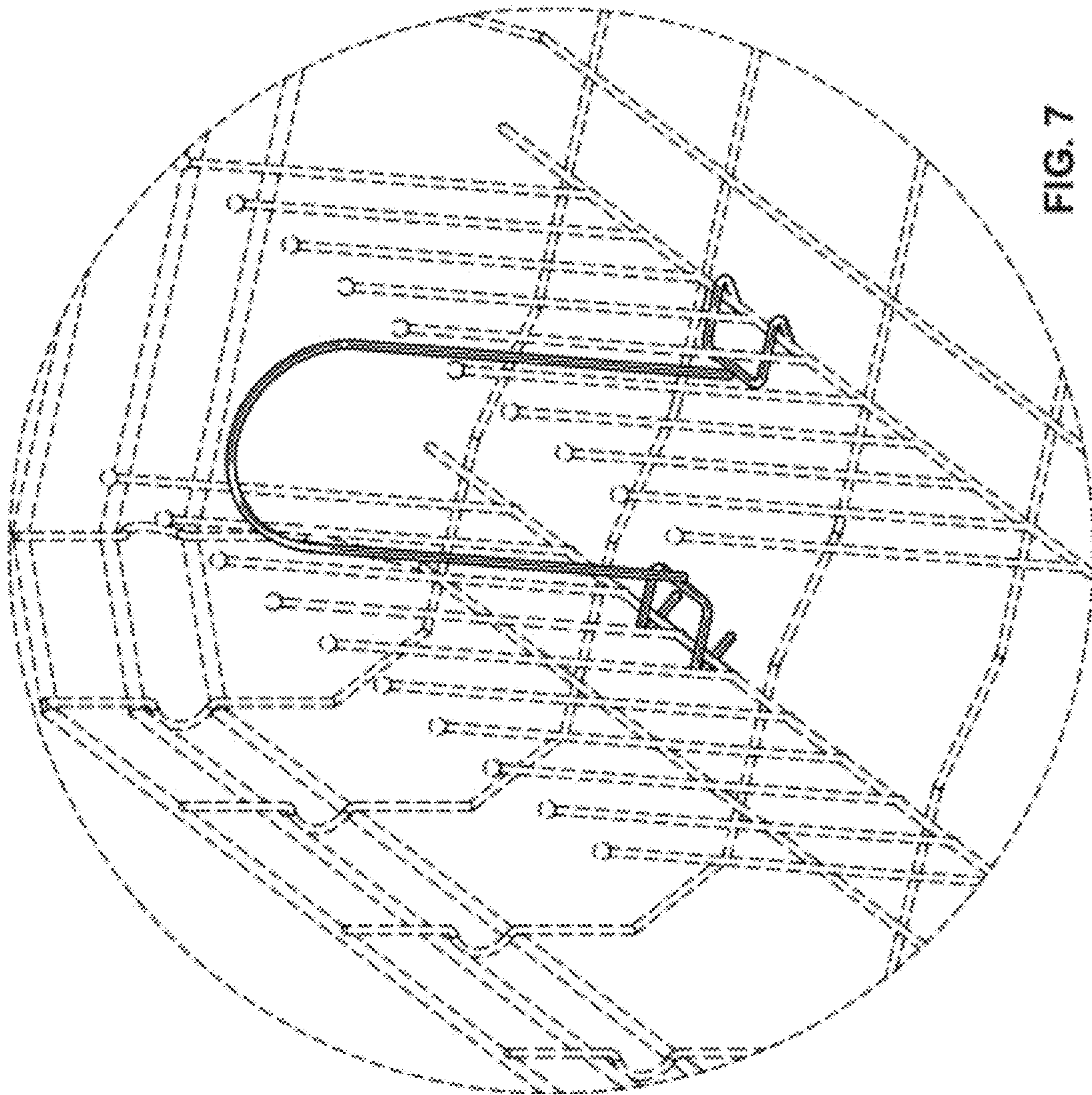


FIG. 7

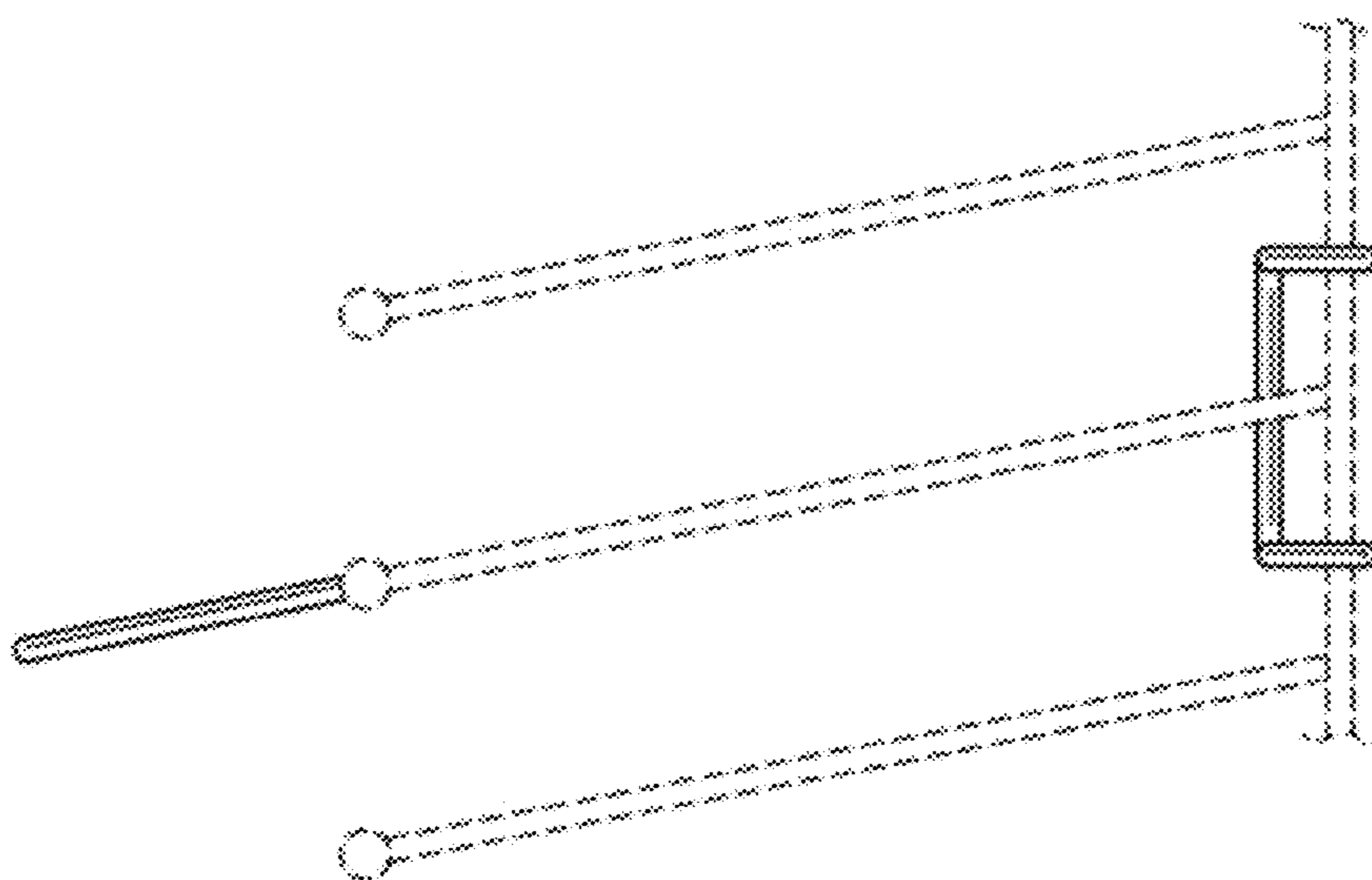


FIG. 6

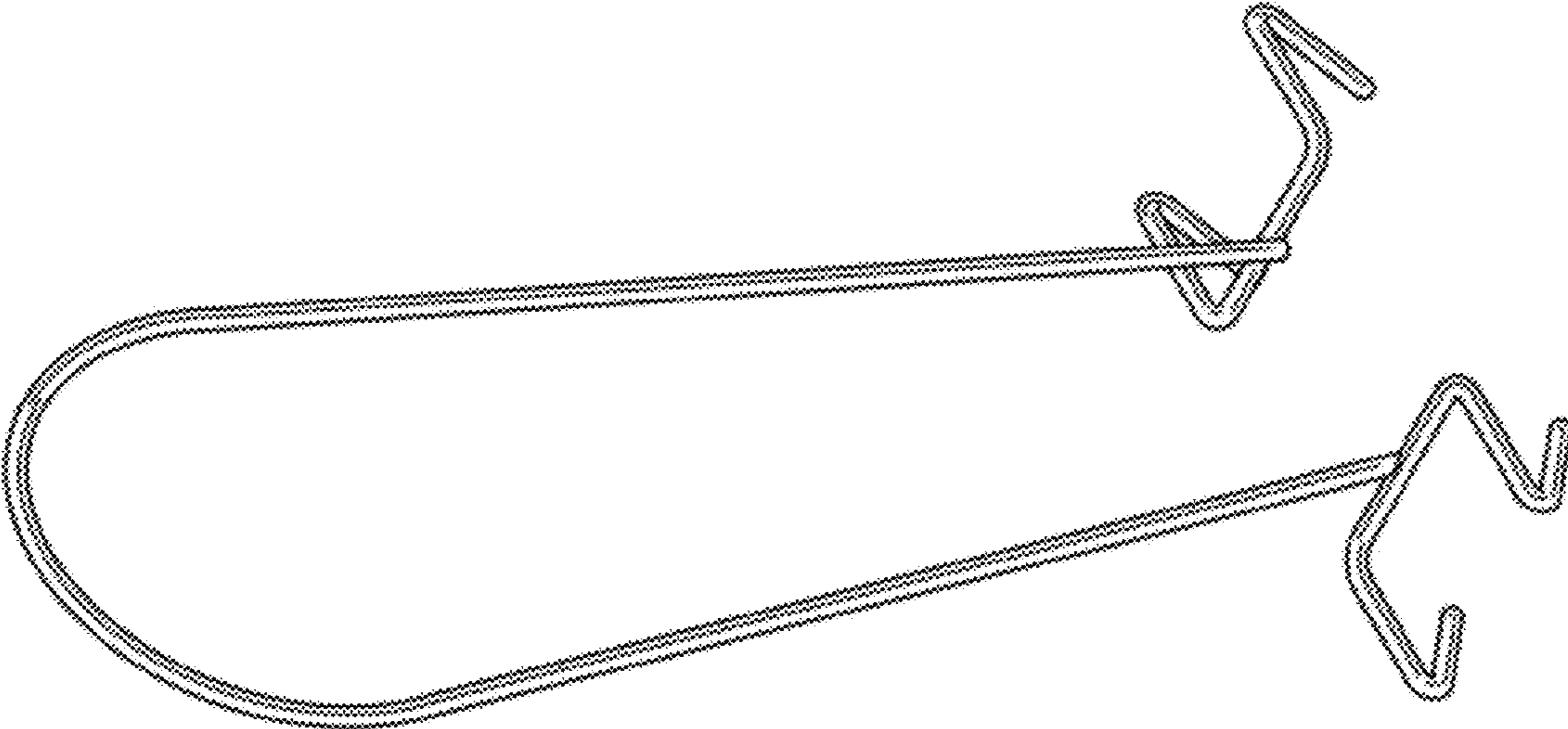


FIG. 8

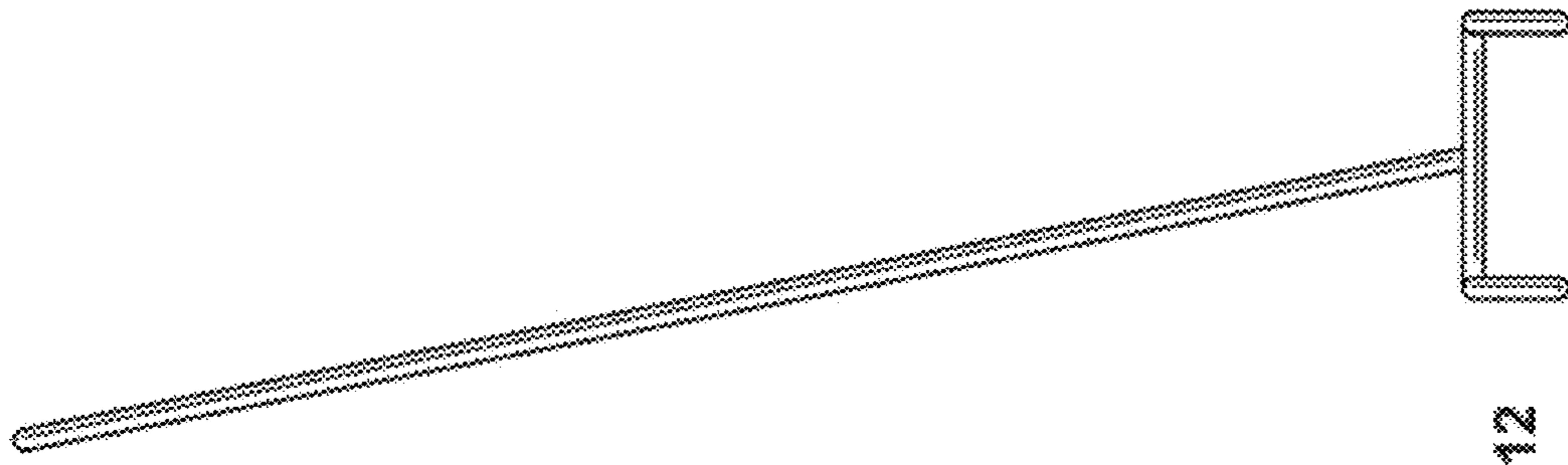


FIG. 12

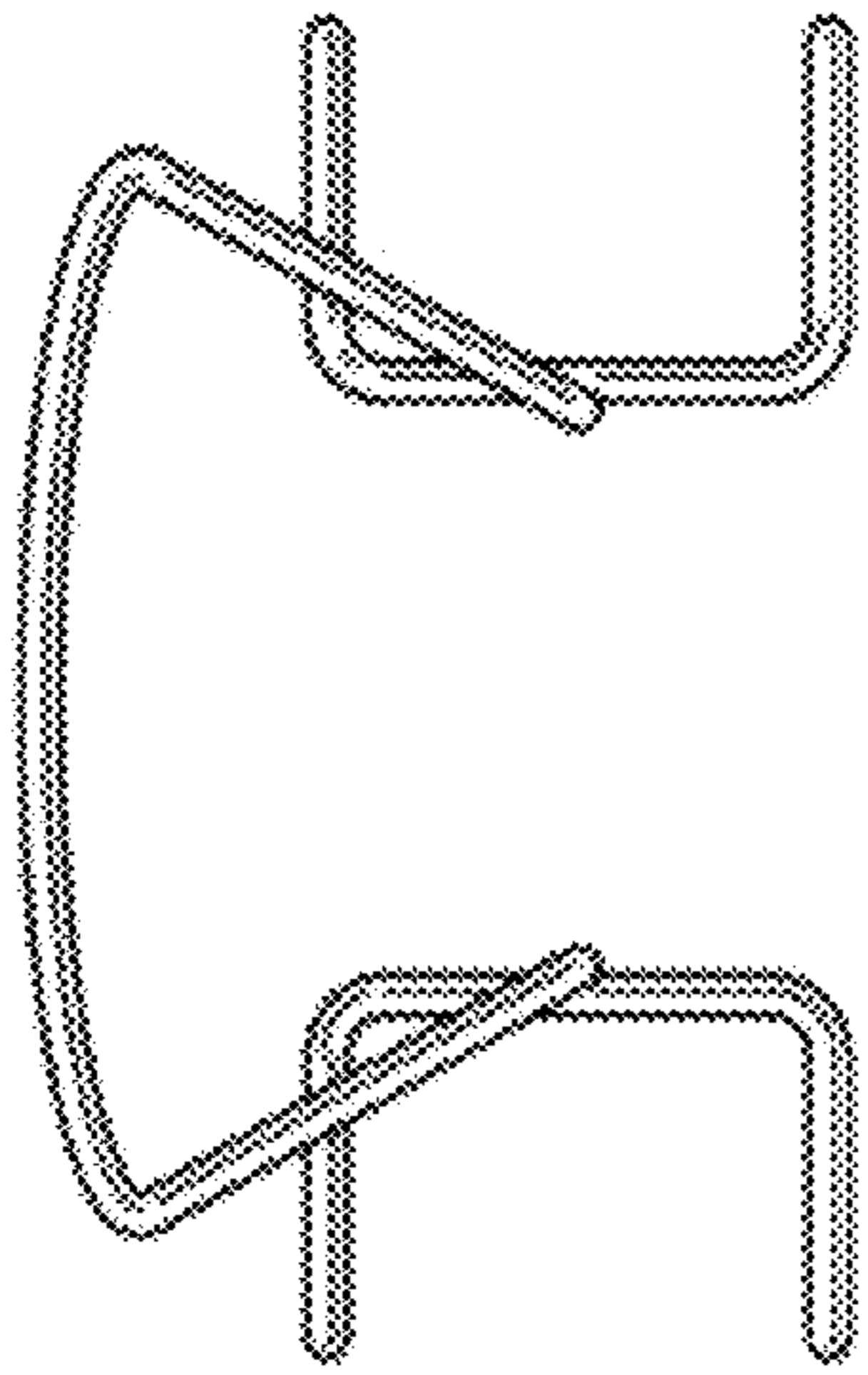


FIG. 10

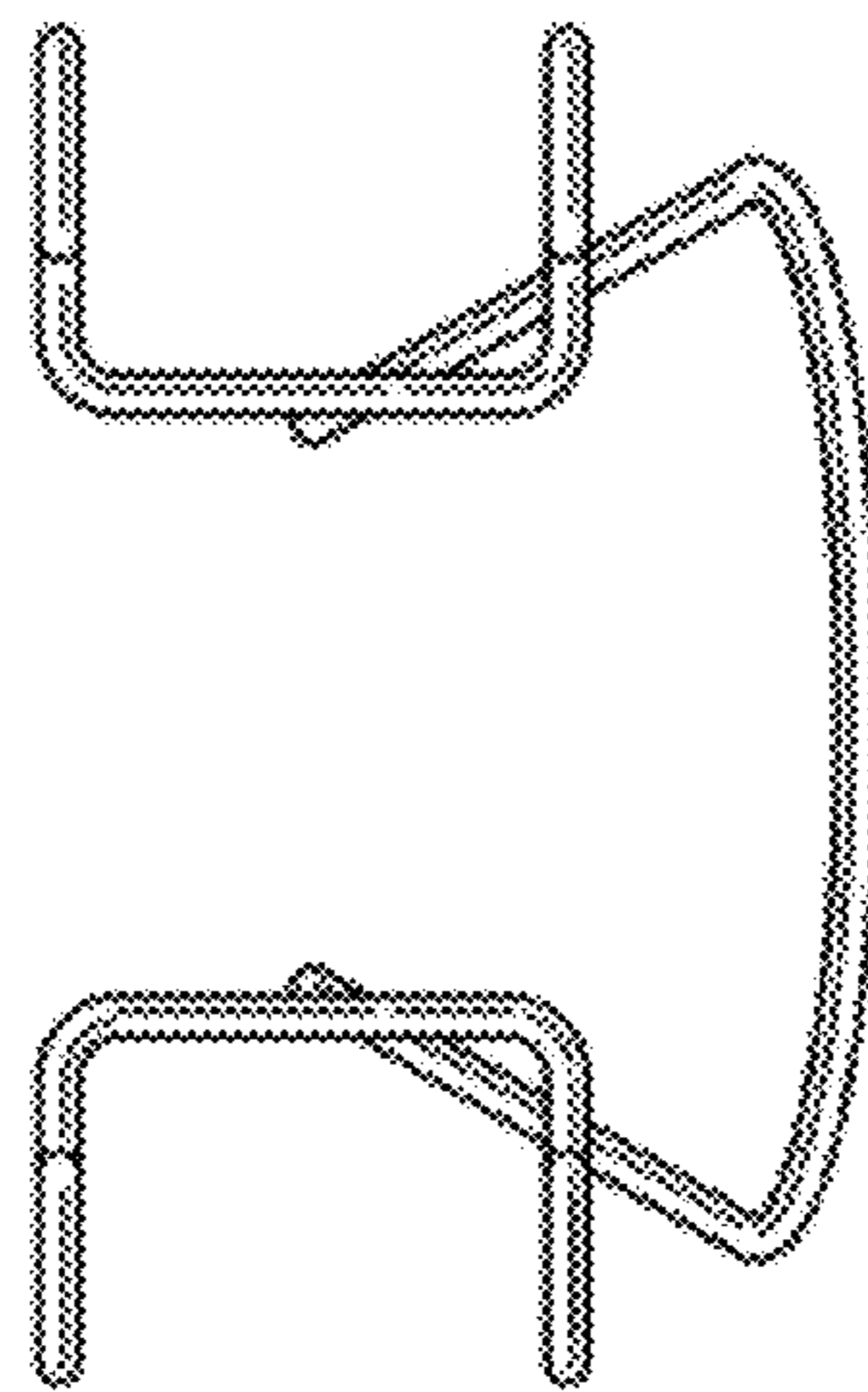


FIG. 11

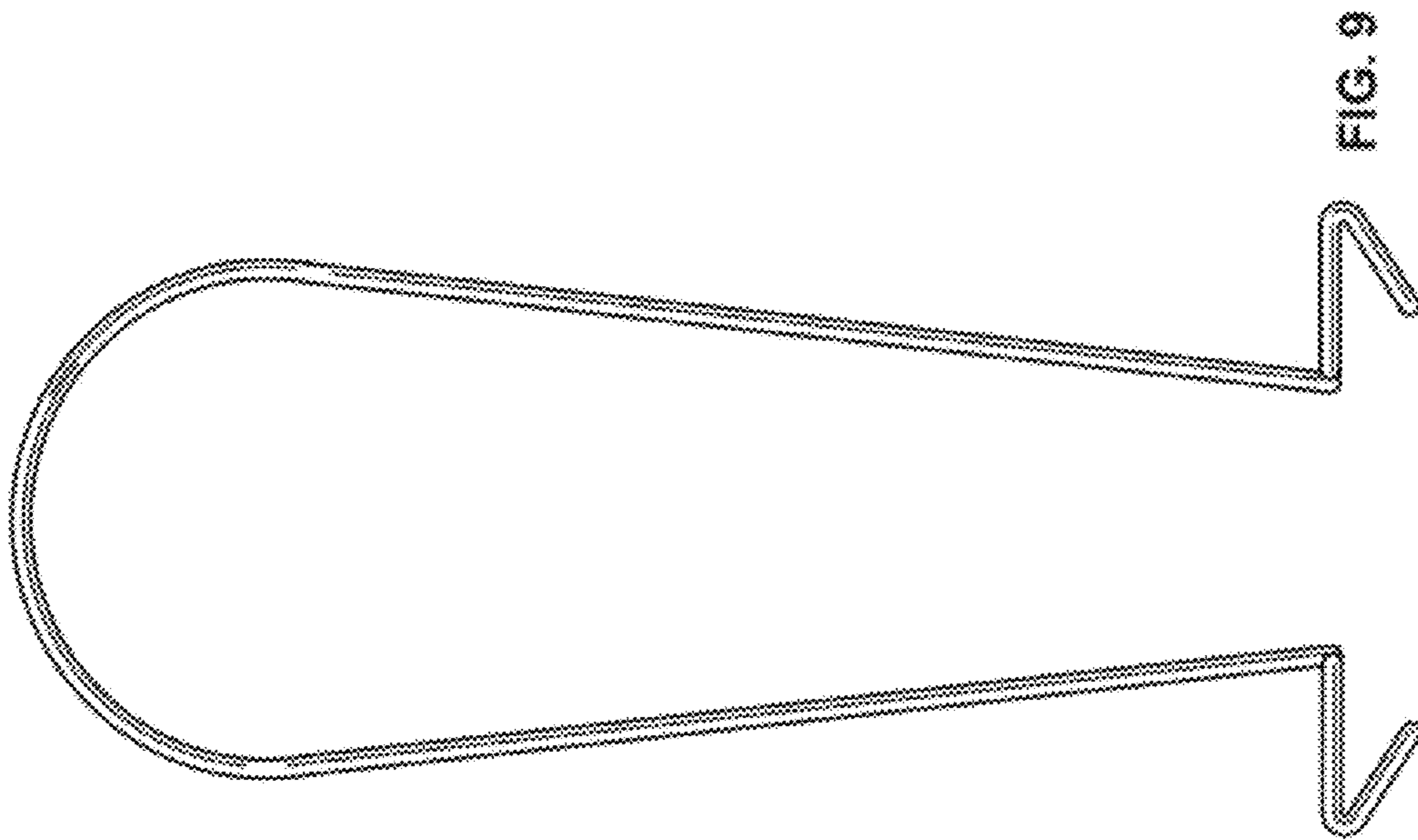


FIG. 9

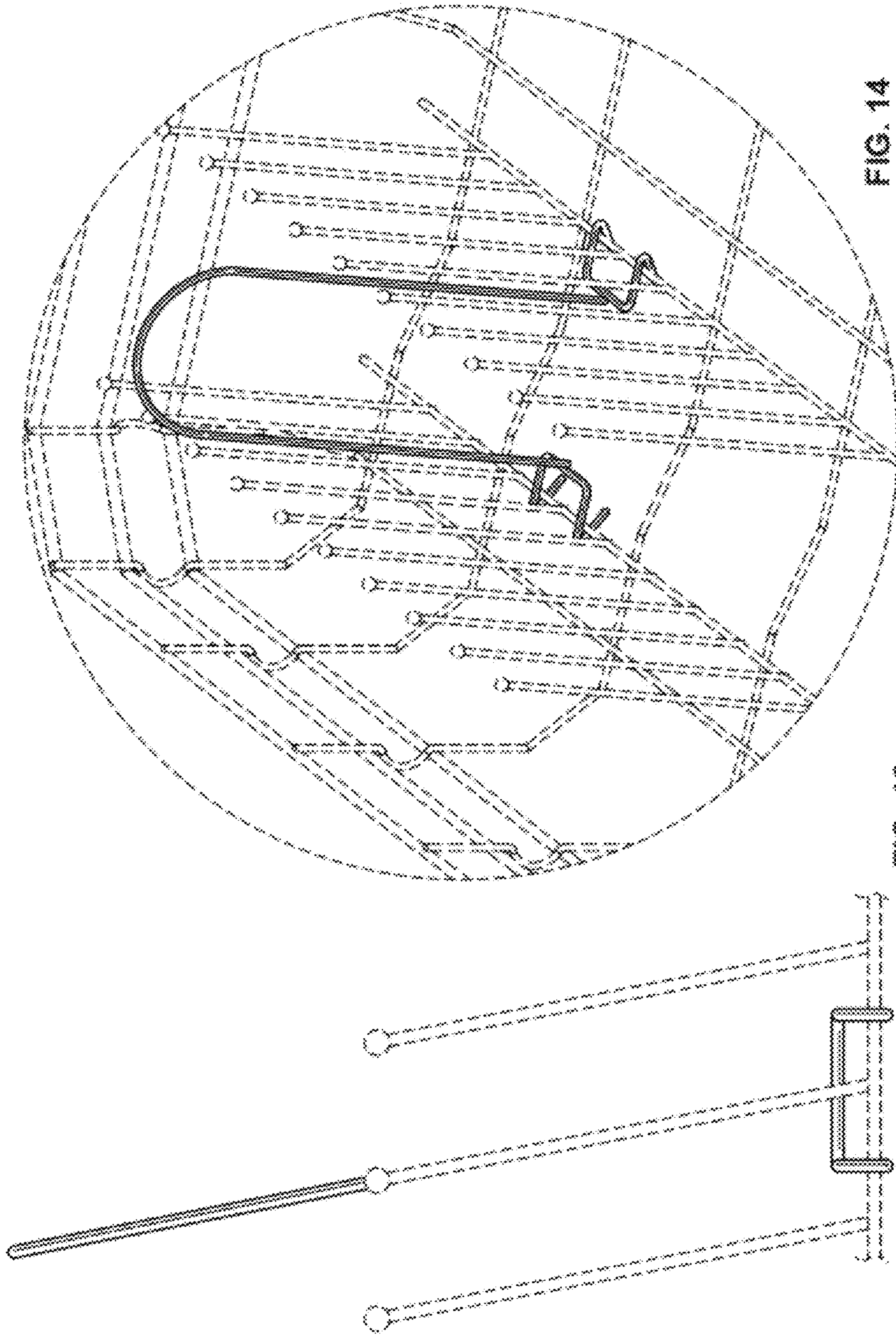


FIG. 14

FIG. 13