

US00D668397S

(12) **United States Design Patent**
Cantwell et al.

(10) **Patent No.:** **US D668,397 S**

(45) **Date of Patent:** **** Oct. 2, 2012**

(54) **DIVIDER PANEL FOR AN ANIMAL CAGE**

(75) Inventors: **Brad Cantwell**, Muncie, IN (US);
Michael E. Greene, Muncie, IN (US);
Terrance L. Jones, Muncie, IN (US);
Robert Bemis, Yucaipa, CA (US)

(73) Assignee: **Mid-West Metal Products Co. Inc.**,
Muncie, IN (US)

(**) Term: **14 Years**

(21) Appl. No.: **29/384,062**

(22) Filed: **Jan. 26, 2011**

(51) **LOC (9) Cl.** **30-02**

(52) **U.S. Cl.** **D30/119**

(58) **Field of Classification Search** D30/114–117,
D30/119; 119/401, 452, 459, 461, 472–474,
119/481

See application file for complete search history.

D613,910 S * 4/2010 Clemmons et al. D30/116
7,958,850 B2 * 6/2011 Tsubai 119/472
2004/0045511 A1 * 3/2004 Migita 119/472
2010/0282179 A1 * 11/2010 Ho 119/474

OTHER PUBLICATIONS

Pet Gear Inc.; “Travel Lite Steel Crates”; www.petgearinc.com/product_info.asp?id=189; Pub. 2011 (“Pet Gear Inc.” publication); pp. 1-2, USA.

* cited by examiner

Primary Examiner — Cathy A MacCormac

(74) *Attorney, Agent, or Firm* — Taft Stettinius + Hollister, LLP; Stephen F. Rost, Esq.

(57) **CLAIM**

The ornamental design for a divider panel for an animal cage, as shown and described.

(56) **References Cited**

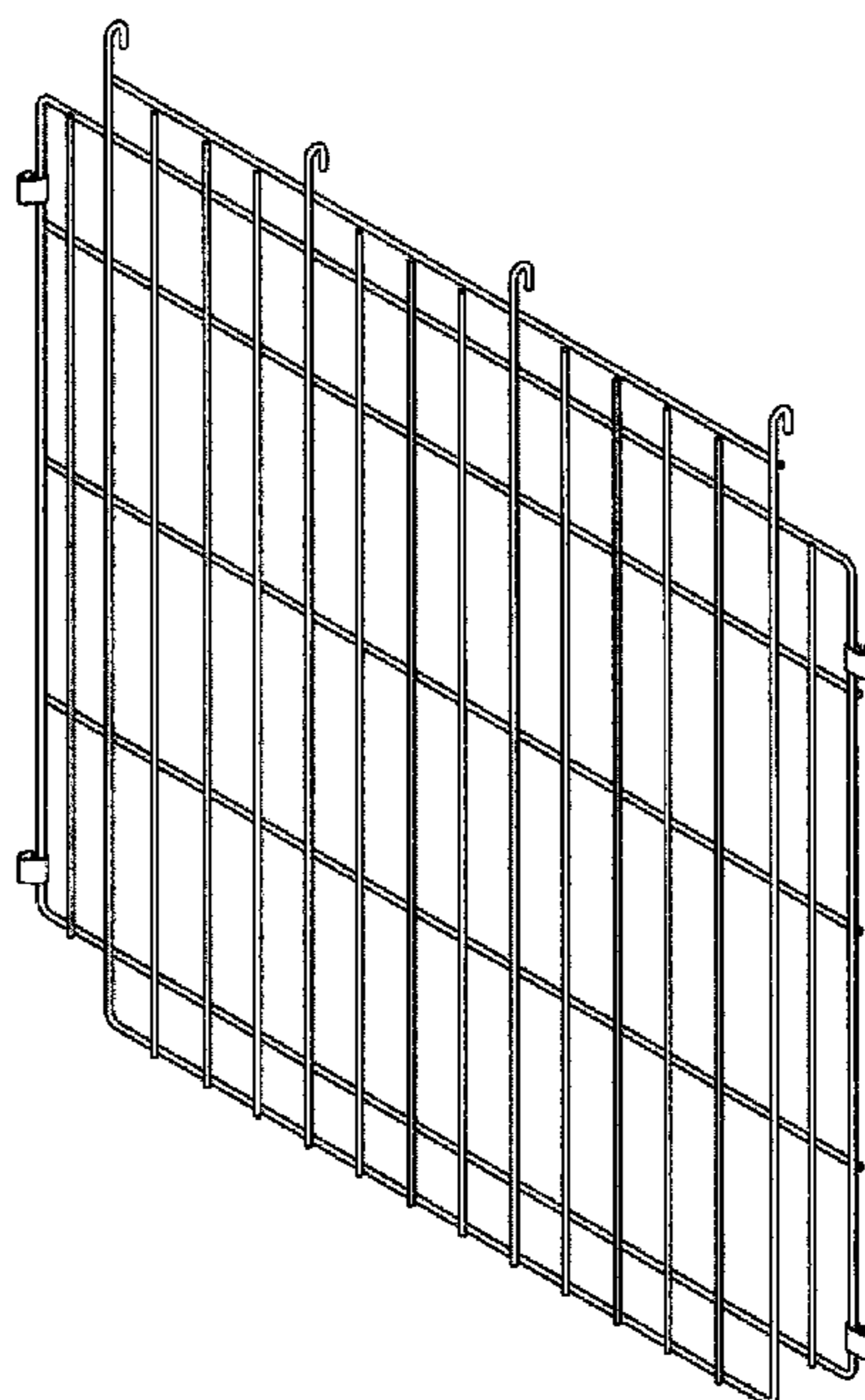
U.S. PATENT DOCUMENTS

862,659	A *	8/1907	Richards	119/472
969,285	A *	9/1910	Keipper	119/474
1,802,579	A *	4/1931	Scott	119/472
2,121,658	A *	6/1938	Gehret	119/474
2,346,001	A *	4/1944	Bate	119/472
4,819,582	A *	4/1989	Lichvar	119/474
5,233,939	A *	8/1993	Randolph	119/473
5,329,723	A *	7/1994	Liul	43/61
5,551,372	A *	9/1996	Nicholls	119/474
6,192,834	B1 *	2/2001	Kolozsvari	119/474
6,289,848	B1 *	9/2001	Estevez et al.	119/473
6,655,321	B1 *	12/2003	Ozeri et al.	119/452
6,763,784	B1 *	7/2004	Liu	119/452

DESCRIPTION

FIG. 1 is a perspective view of a divider panel for an animal cage that illustrates the novel design;
FIG. 2 is a top view of the divider panel of FIG. 1;
FIG. 3 is a left side elevational view of the divider panel of FIG. 1;
FIG. 4 is a right side elevational view of the divider panel of FIG. 1;
FIG. 5 is a bottom view of the divider panel of FIG. 1;
FIG. 6 is a front view of the divider panel of FIG. 1; and,
FIG. 7 is a back view of the divider panel of FIG. 1.

1 Claim, 7 Drawing Sheets



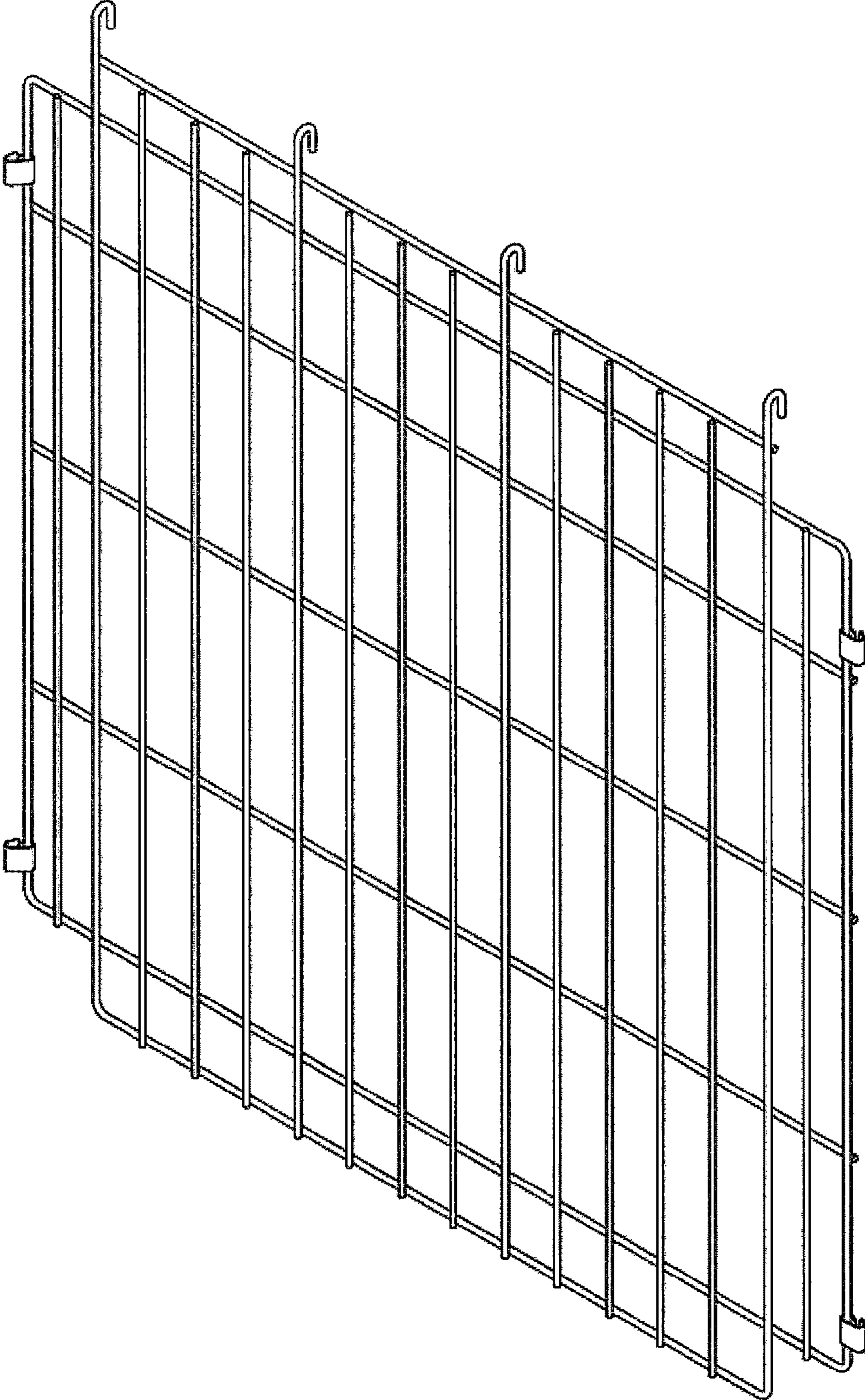


Figure 1

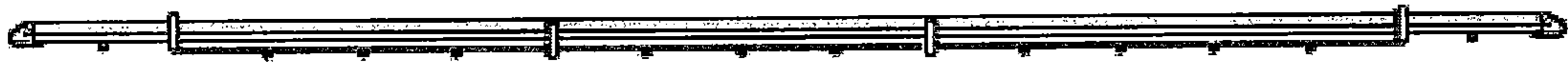


Figure 2



Figure 3



Figure 4

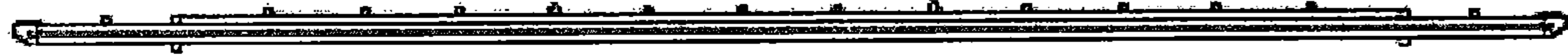


Figure 5

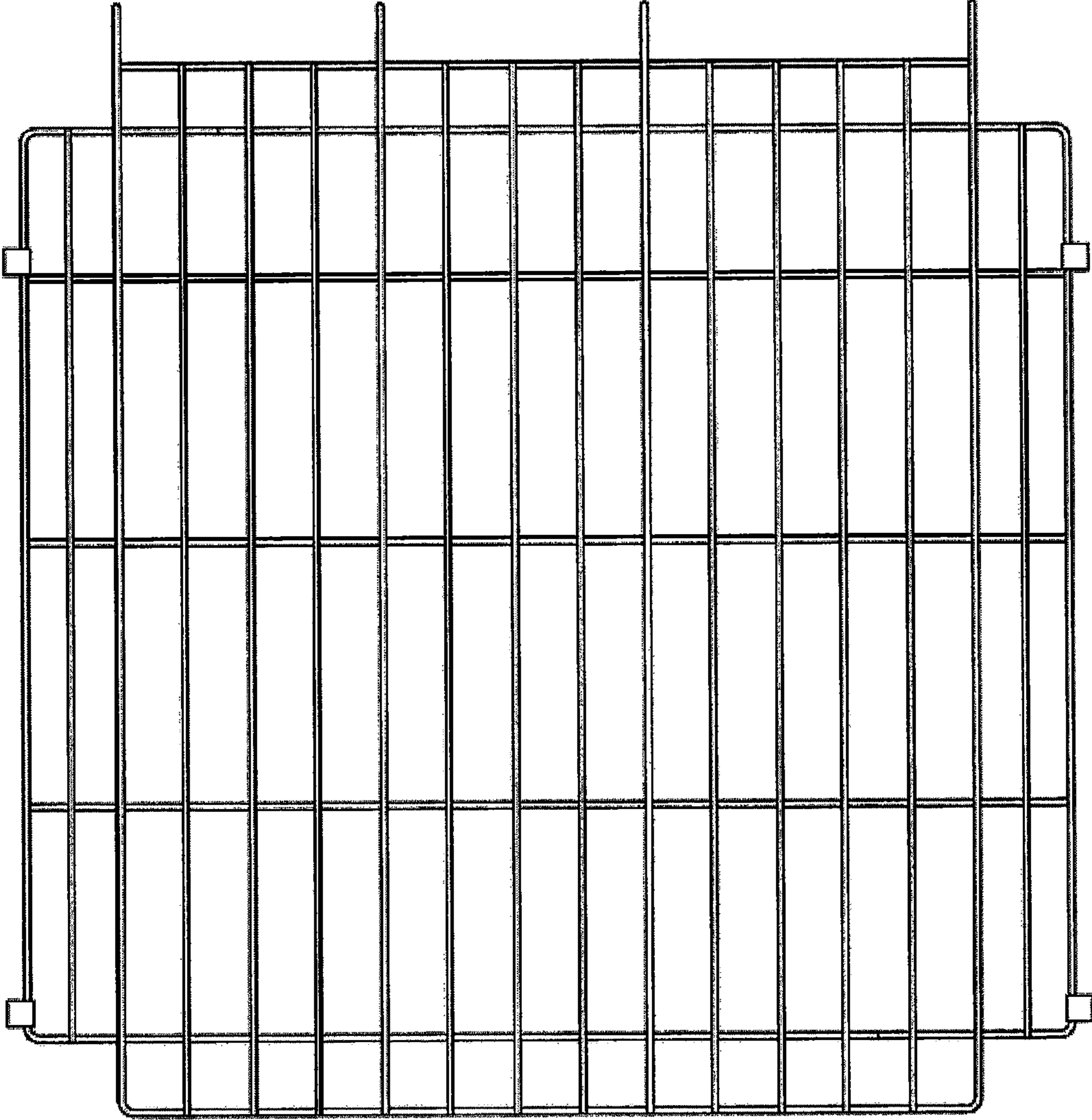


Figure 6

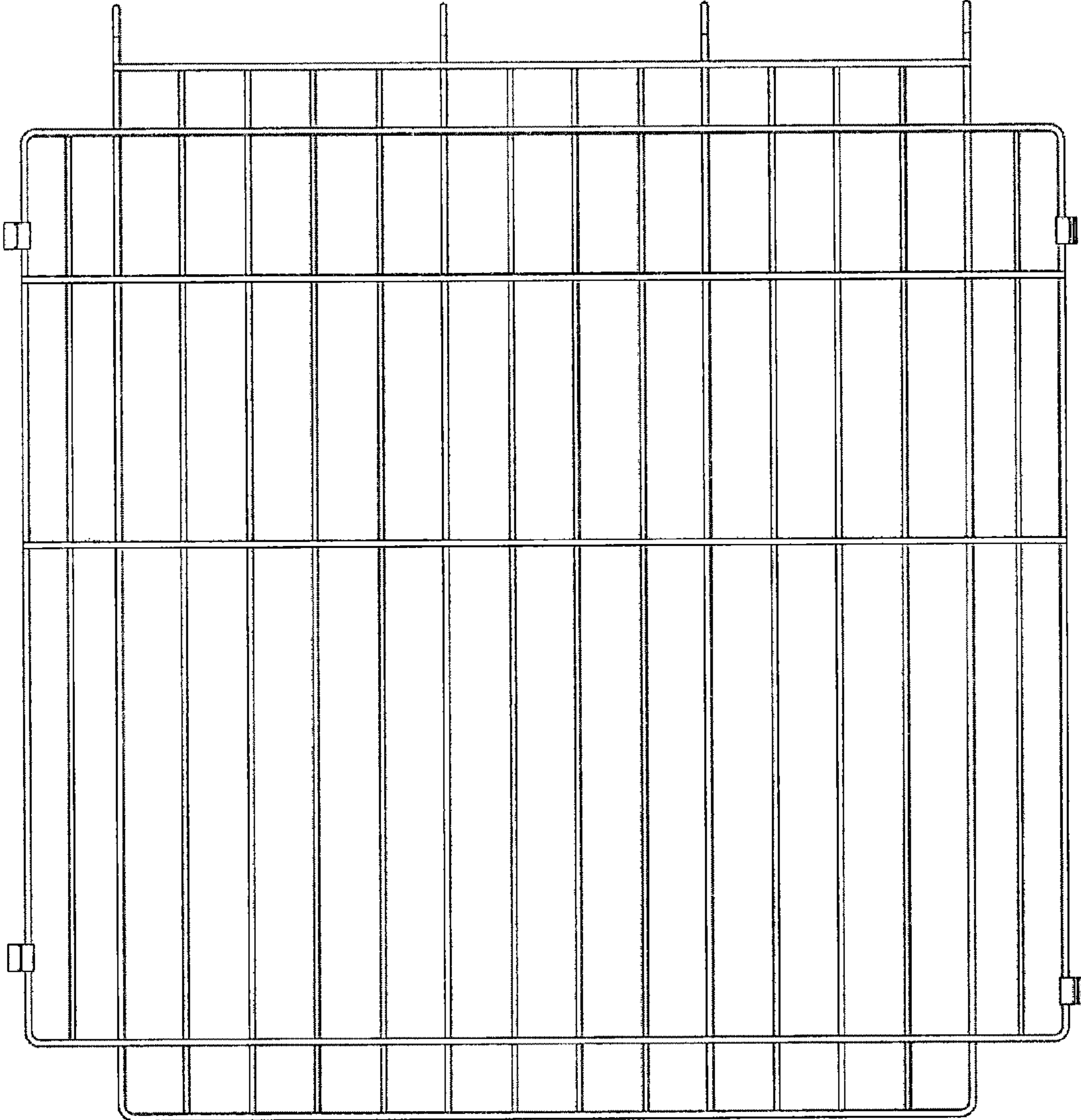


Figure 7