



US00D668392S

(12) **United States Design Patent**
Carlborg et al.

(10) **Patent No.:** **US D668,392 S**

(45) **Date of Patent:** **** Oct. 2, 2012**

(54) **HEARING PROTECTOR**

(75) Inventors: **Lars G. E. Carlborg**, Värnamo (SE);
Johan Rapp, Värnamo (SE); **Leif S. Johansson**, Mockfjärd (SE); **Martin L. Birath**, Lidingö (SE); **August H. Michael**, Enkede (SE); **Oskar E. Juhlin**, Gustavsberg (SE)

(73) Assignee: **3M Innovative Properties Company**, St. Paul, MN (US)

(**) Term: **14 Years**

(21) Appl. No.: **29/390,654**

(22) Filed: **Apr. 28, 2011**

(30) **Foreign Application Priority Data**

Nov. 4, 2010 (EM) 1243398

(51) **LOC (9) Cl.** **29-02**

(52) **U.S. Cl.** **D29/12; D29/122**

(58) **Field of Classification Search** D29/100,
D29/101.1, 102, 103, 105, 106, 108, 112,
D29/122; D14/205, 206, 223; 2/9, 209,
2/410, 423, 449, 455; 351/122, 123; 181/128,
181/129; 128/864, 866

See application file for complete search history.

(56) **References Cited**

U.S. PATENT DOCUMENTS

3,051,961 A * 9/1962 Clark 2/209
D206,256 S * 11/1966 Boyer D29/112
4,571,746 A * 2/1986 Gorike 2/209
D298,670 S * 11/1988 Palmaer D29/112
D385,665 S * 10/1997 Westerdal D29/112
D388,552 S * 12/1997 Weaver D29/112

D399,607 S * 10/1998 Davis D29/112
D545,001 S * 6/2007 Le Gette et al. D29/122
D590,547 S * 4/2009 Brace et al. D29/122
D590,548 S * 4/2009 Johnson et al. D29/122
D597,709 S * 8/2009 Juhlin D29/122
D604,911 S * 11/2009 Juhlin D29/122
D606,969 S * 12/2009 Semcken D14/205
D606,970 S * 12/2009 Semcken D14/205
D616,155 S * 5/2010 Juhlin D29/122
D617,770 S * 6/2010 Sanguinetti et al. D14/205
D638,586 S * 5/2011 Aaskov et al. D29/122
D644,199 S * 8/2011 Sugiyama D14/205
D651,764 S * 1/2012 Gresko et al. D29/112

FOREIGN PATENT DOCUMENTS

CN 300901844 4/2009
CN 300905842 4/2009
CN 300909833 4/2009
EM 000388051-001 9/2010
WO WO 01/03623 A1 1/2001

* cited by examiner

Primary Examiner — Elizabeth J Oswecki

(57) **CLAIM**

The ornamental design for a hearing protector, as shown and described.

DESCRIPTION

FIG. 1 is a perspective view of a hearing protector our new design;

FIG. 2 is a top view thereof;

FIG. 3 is a bottom view thereof;

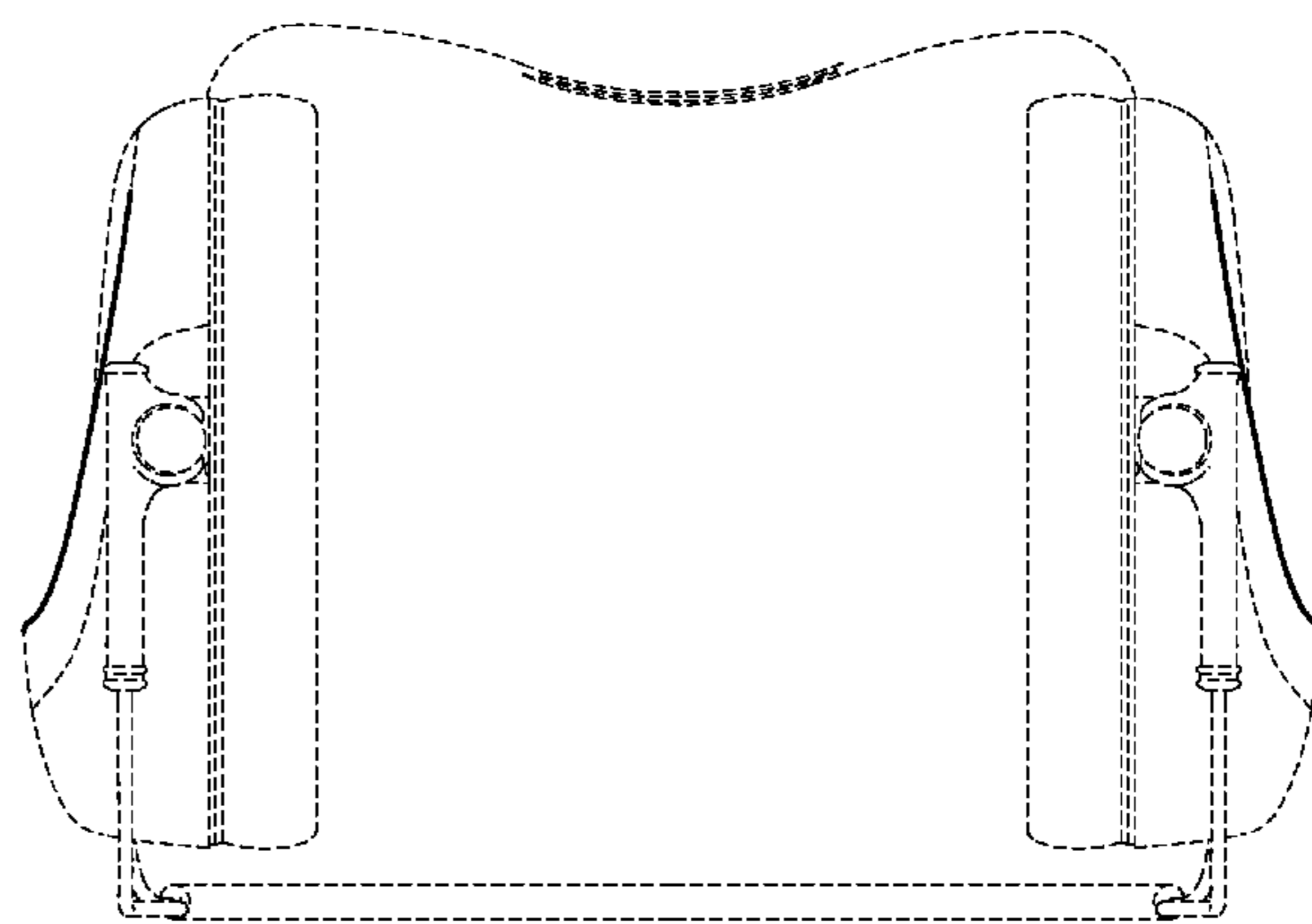
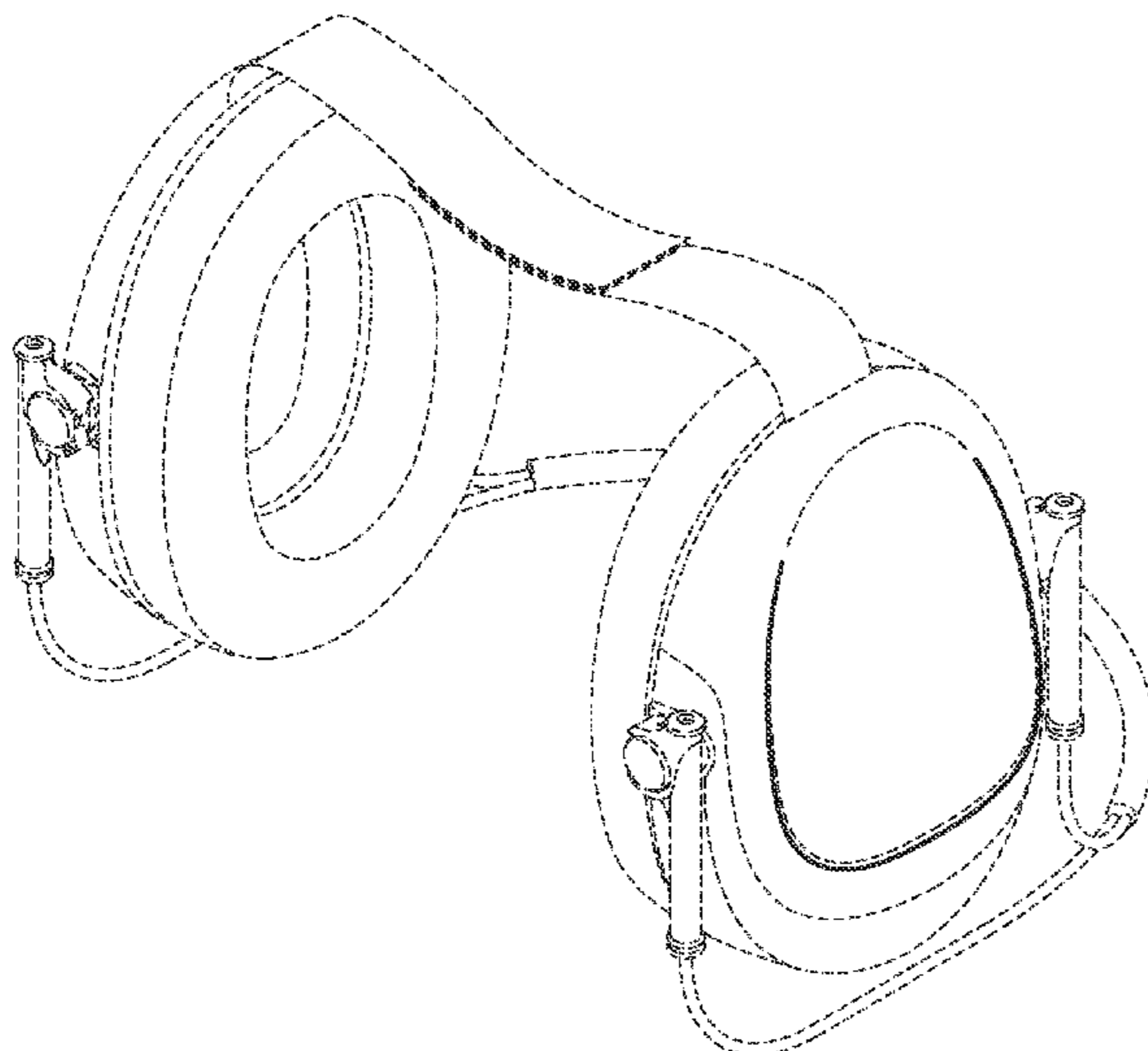
FIG. 4 is a front view thereof;

FIG. 5 is a rear view thereof; and,

FIG. 6 is a right side view thereof, the left side being a mirror image of the right side view.

Portions of the drawings shown in broken lines do not form part of the claimed design.

1 Claim, 3 Drawing Sheets



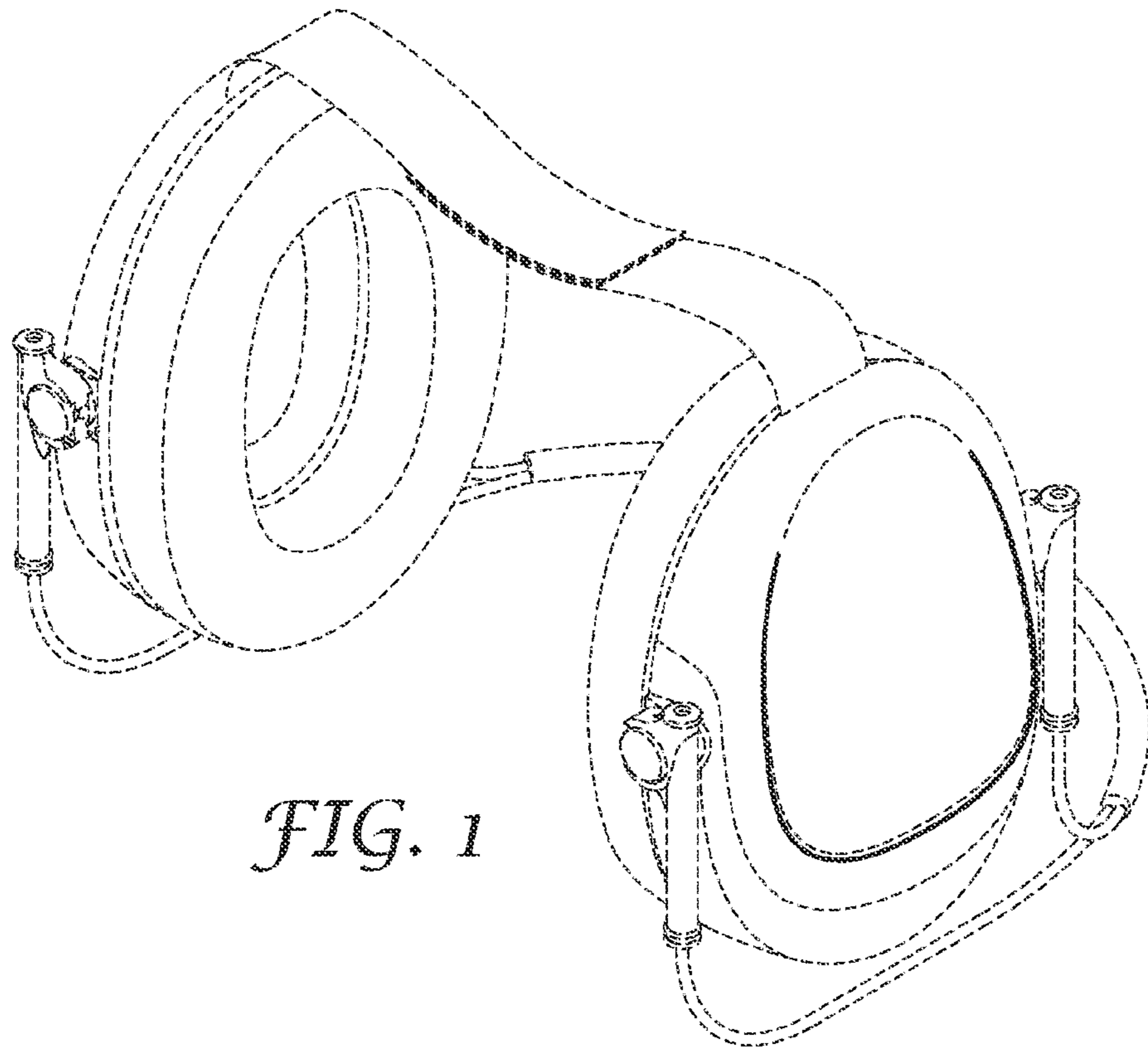


FIG. 1

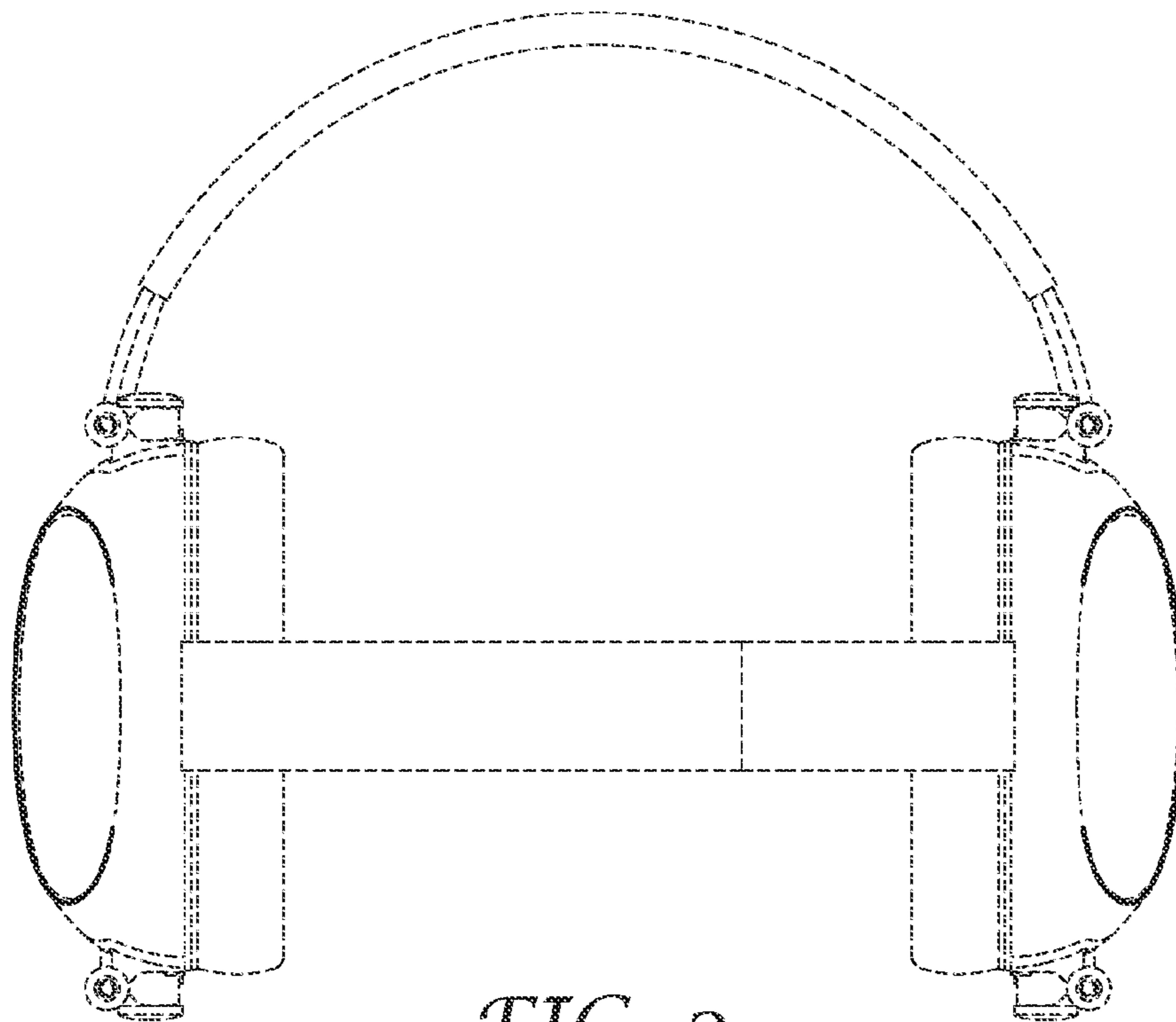


FIG. 2

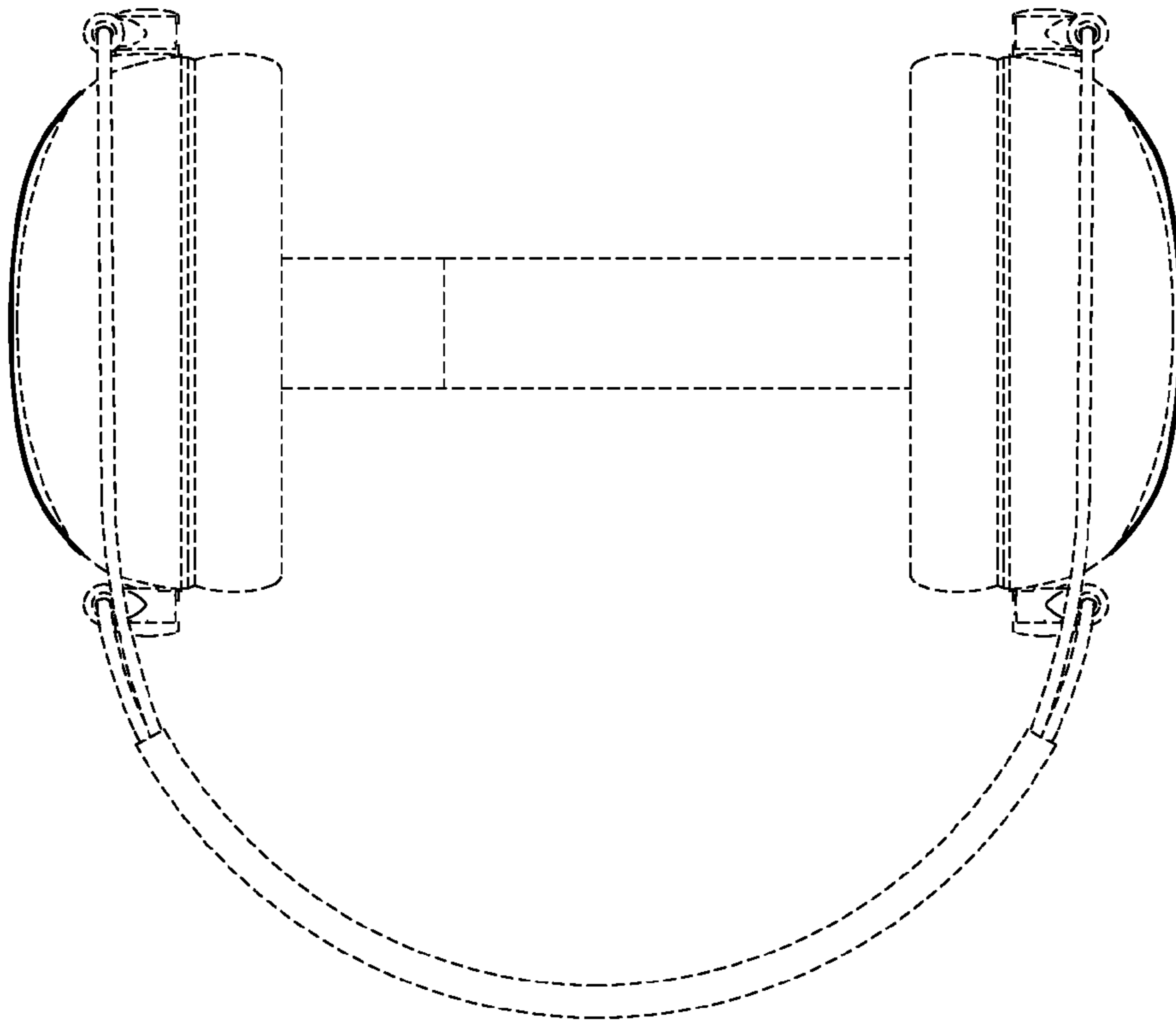


FIG. 3

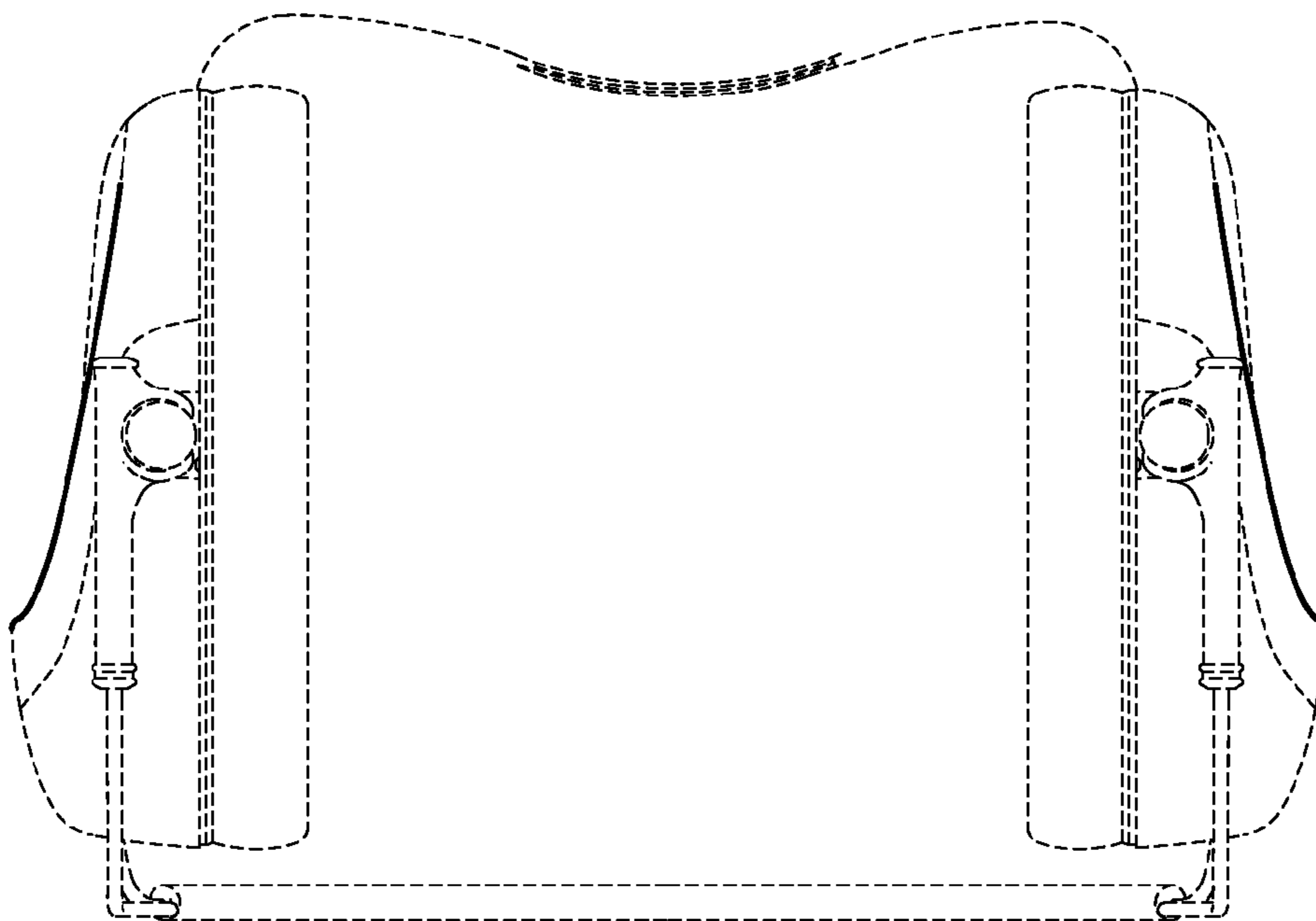


FIG. 4

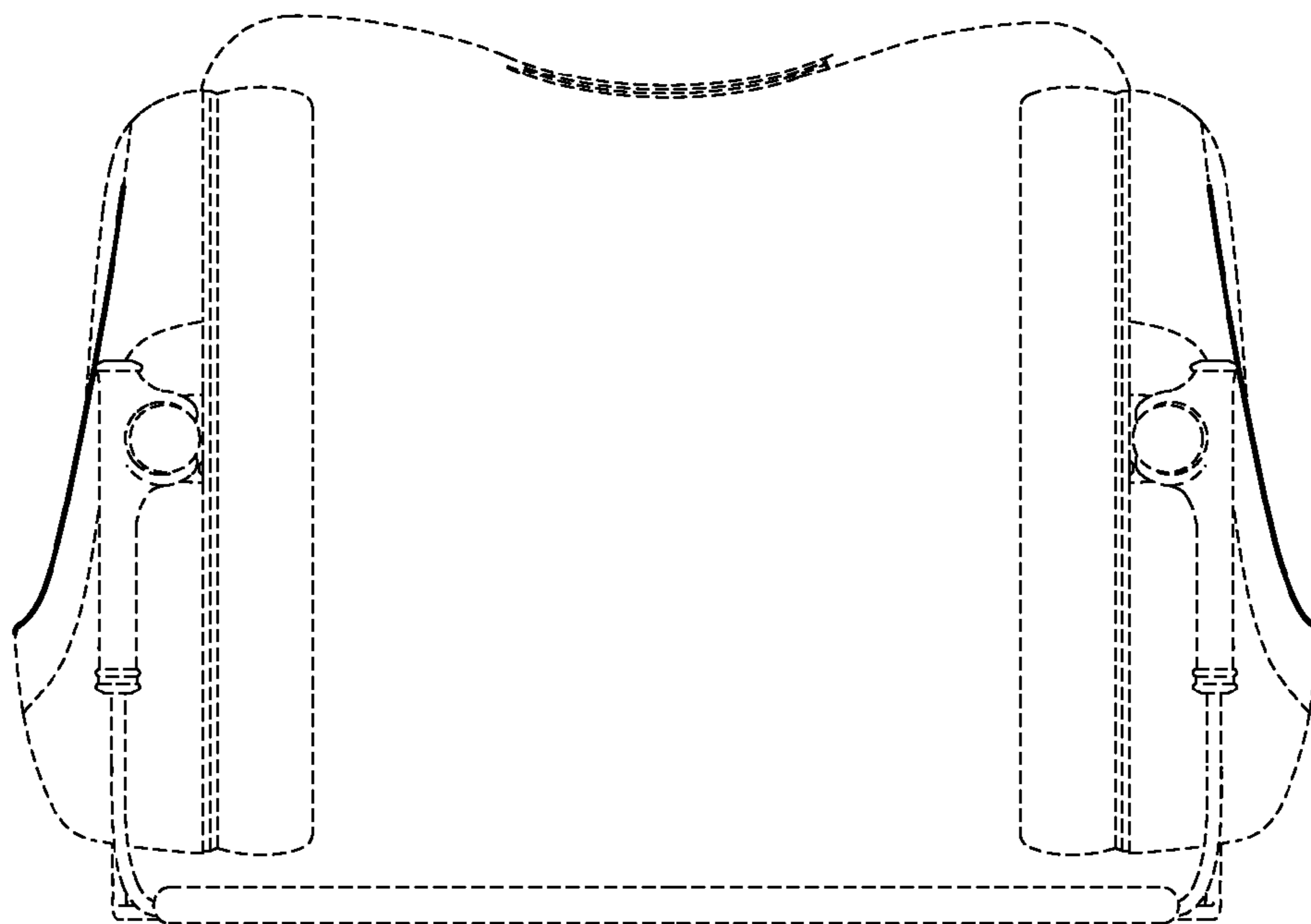


FIG. 5

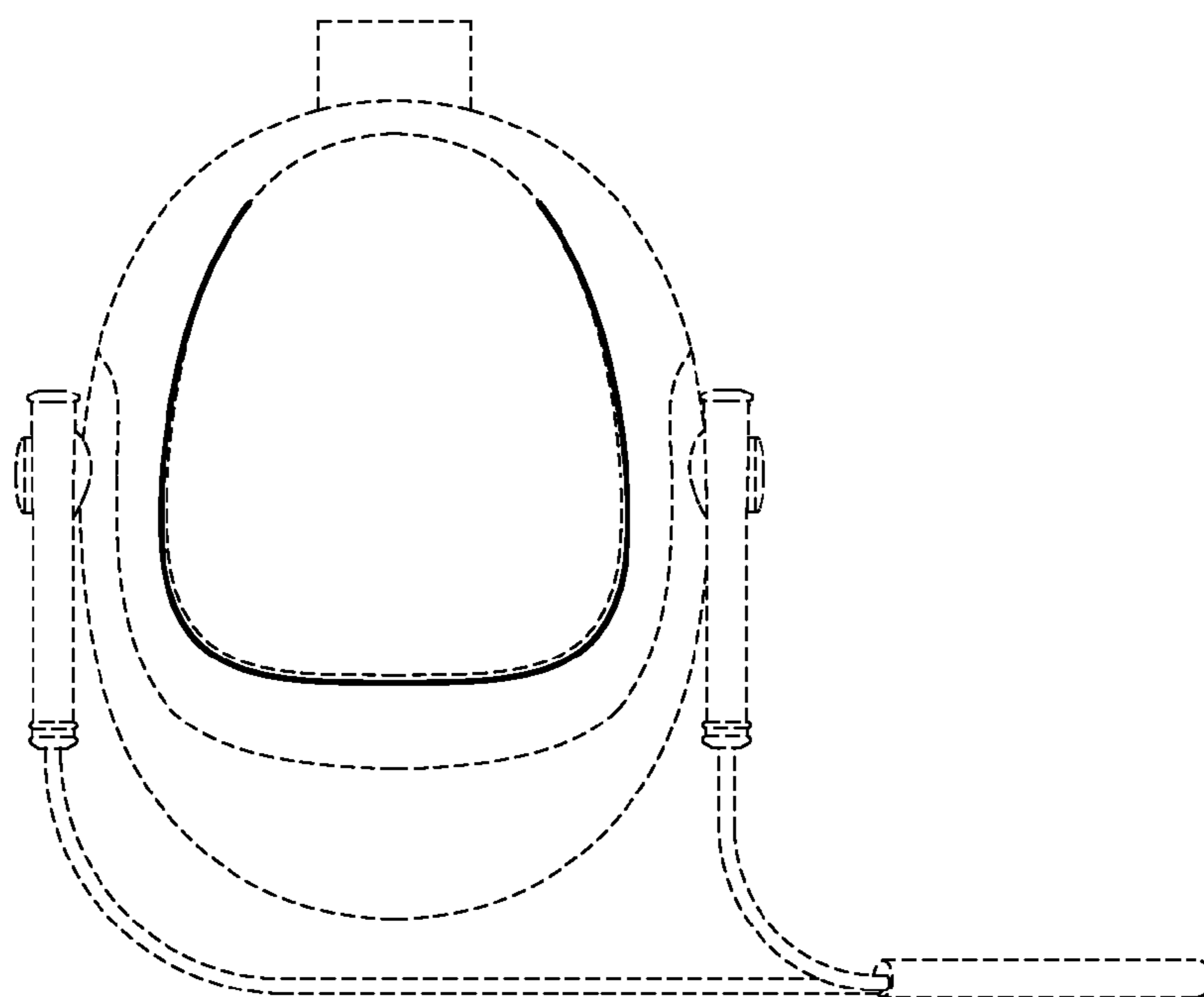


FIG. 6

UNITED STATES PATENT AND TRADEMARK OFFICE
CERTIFICATE OF CORRECTION

PATENT NO. : D668,392 S
APPLICATION NO. : 29/390654
DATED : October 2, 2012
INVENTOR(S) : Lars Carlborg

Page 1 of 1

It is certified that error appears in the above-identified patent and that said Letters Patent is hereby corrected as shown below:

Column 2

Line 1, delete "protector" and insert -- protector showing --, therefor.

Signed and Sealed this
Fifteenth Day of January, 2013

A handwritten signature in black ink that reads "David J. Kappos". The signature is written in a cursive style with a large initial "D" and "K".

David J. Kappos
Director of the United States Patent and Trademark Office