



US00D668388S

(12) **United States Design Patent**
Hsu

(10) **Patent No.:** **US D668,388 S**
(45) **Date of Patent:** **** Oct. 2, 2012**

(54) **ANNULAR BLOWER OF A DRYER**

D508,585 S * 8/2005 Moore D28/12
8,037,619 B2 * 10/2011 Liu 34/218
8,064,756 B2 * 11/2011 Liu 392/380

(75) Inventor: **Chi-Chin Hsu**, New Taipei (TW)

* cited by examiner

(73) Assignee: **Hokwang Industries Co., Ltd.**, New Taipei (TW)

Primary Examiner — Zenia Bennett

(**) Term: **14 Years**

(74) *Attorney, Agent, or Firm* — Muncy, Geissler, Olds & Lowe, PLLC

(21) Appl. No.: **29/387,482**

(57) **CLAIM**

The ornamental design for “annular blower of a dryer,” as shown and described.

(22) Filed: **Mar. 14, 2011**

DESCRIPTION

(51) **LOC (9) Cl.** **28-03**

(52) **U.S. Cl.** **D28/54.1**

(58) **Field of Classification Search** D28/12,
D28/54.1, 58; 34/266, 201, 202; 392/381,
392/380; D23/357, 361, 385
See application file for complete search history.

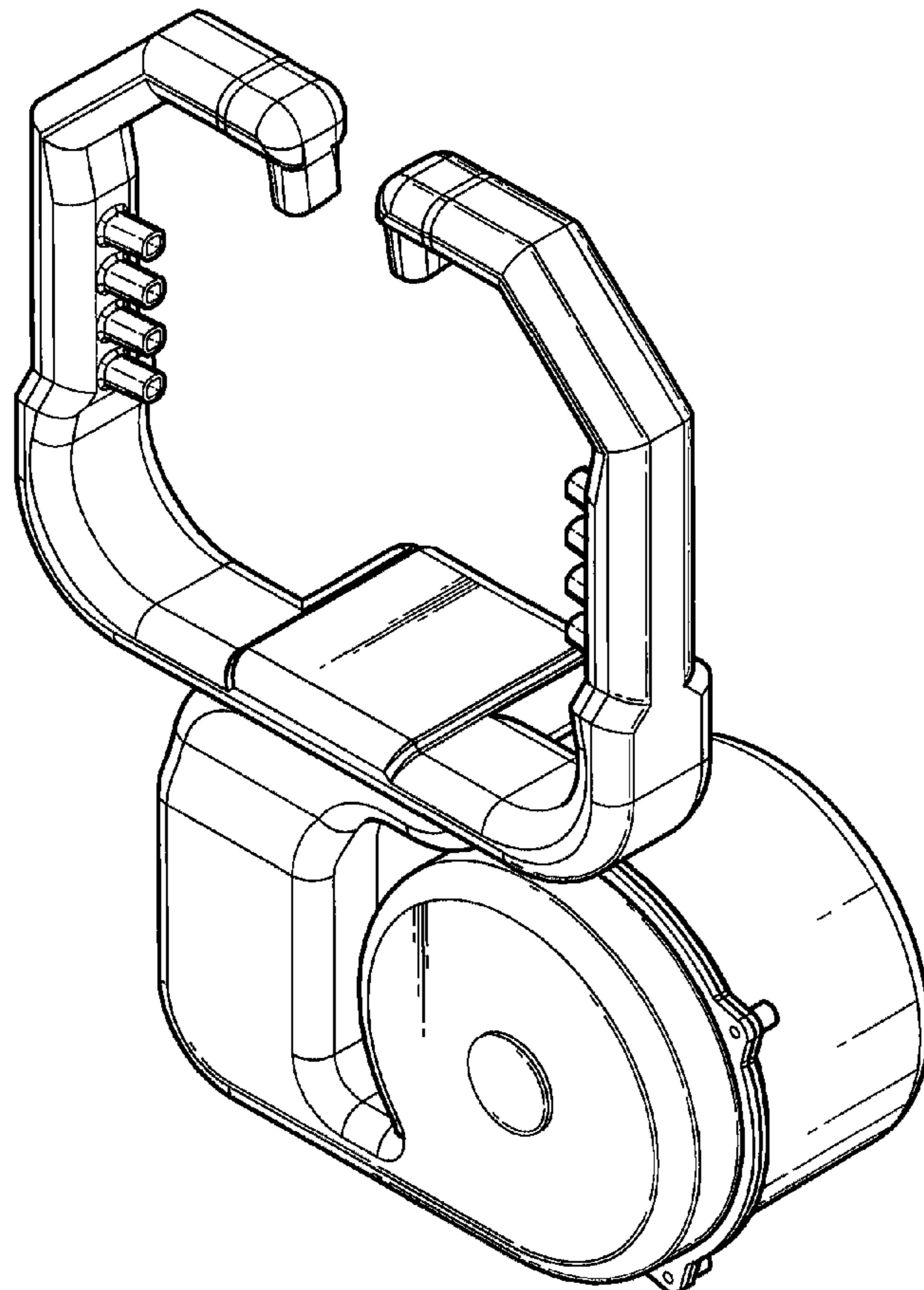
FIG. 1 is a perspective view of “annular blower of a dryer” showing my new design thereof;
FIG. 2 shows that a right side view thereof;
FIG. 3 is a top view thereof
FIG. 4 is a front side elevation view thereof;
FIG. 5 is a bottom plan view thereof;
FIG. 6 is a left side elevation view thereof; and
FIG. 7 is a rear perspective view; and,
FIG. 8 is another perspective view thereof.

(56) **References Cited**

U.S. PATENT DOCUMENTS

D372,772 S * 8/1996 Dubois et al. D23/382
D440,353 S * 4/2001 Johnson D28/12

1 Claim, 8 Drawing Sheets



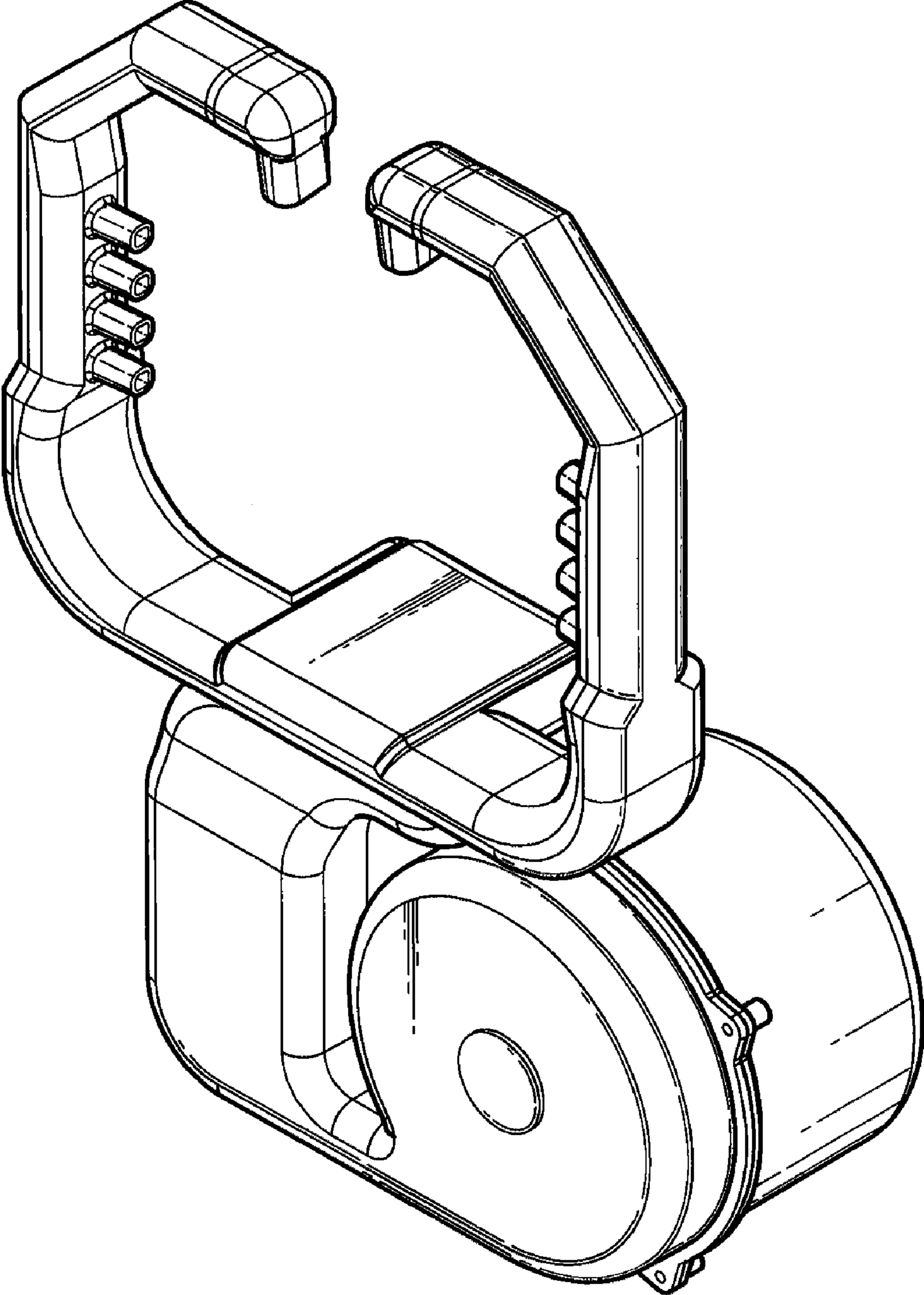


Fig. 1

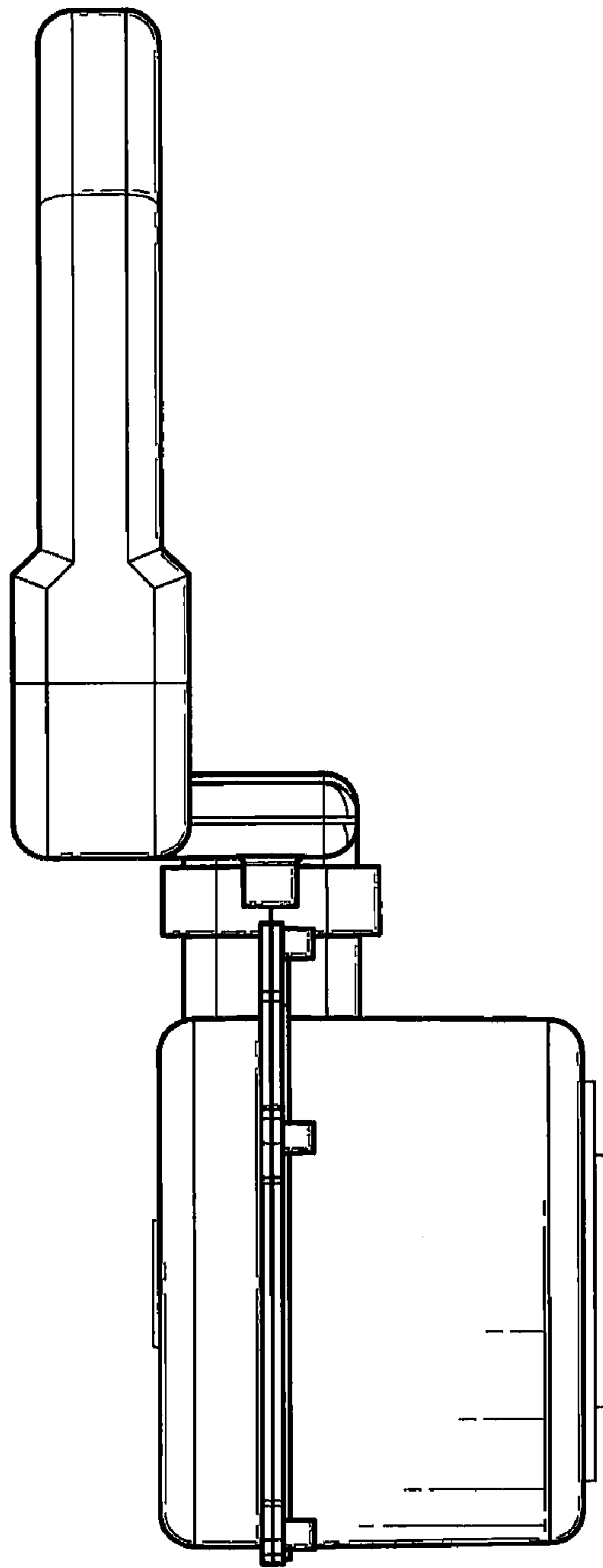


Fig. 2

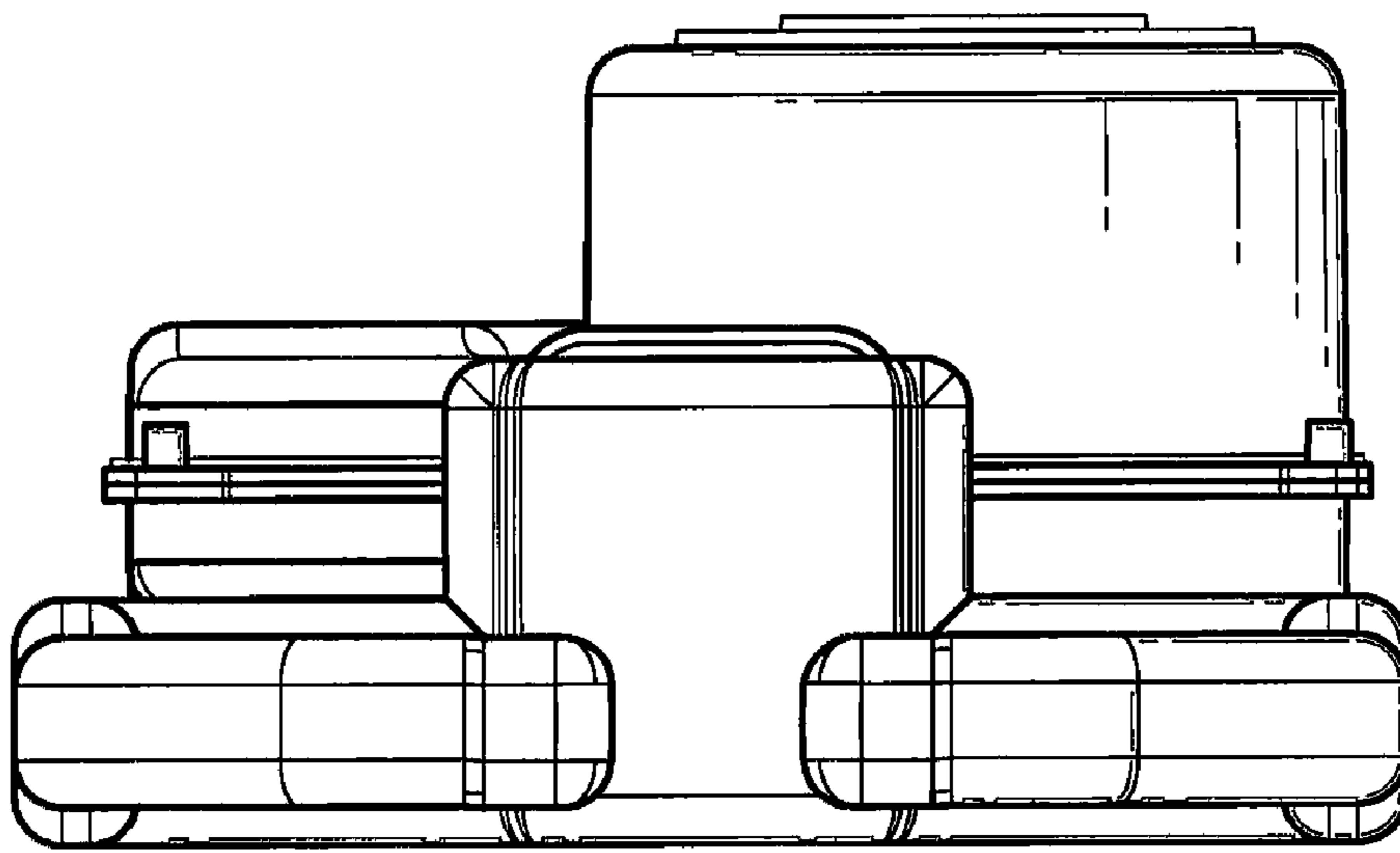


Fig. 3

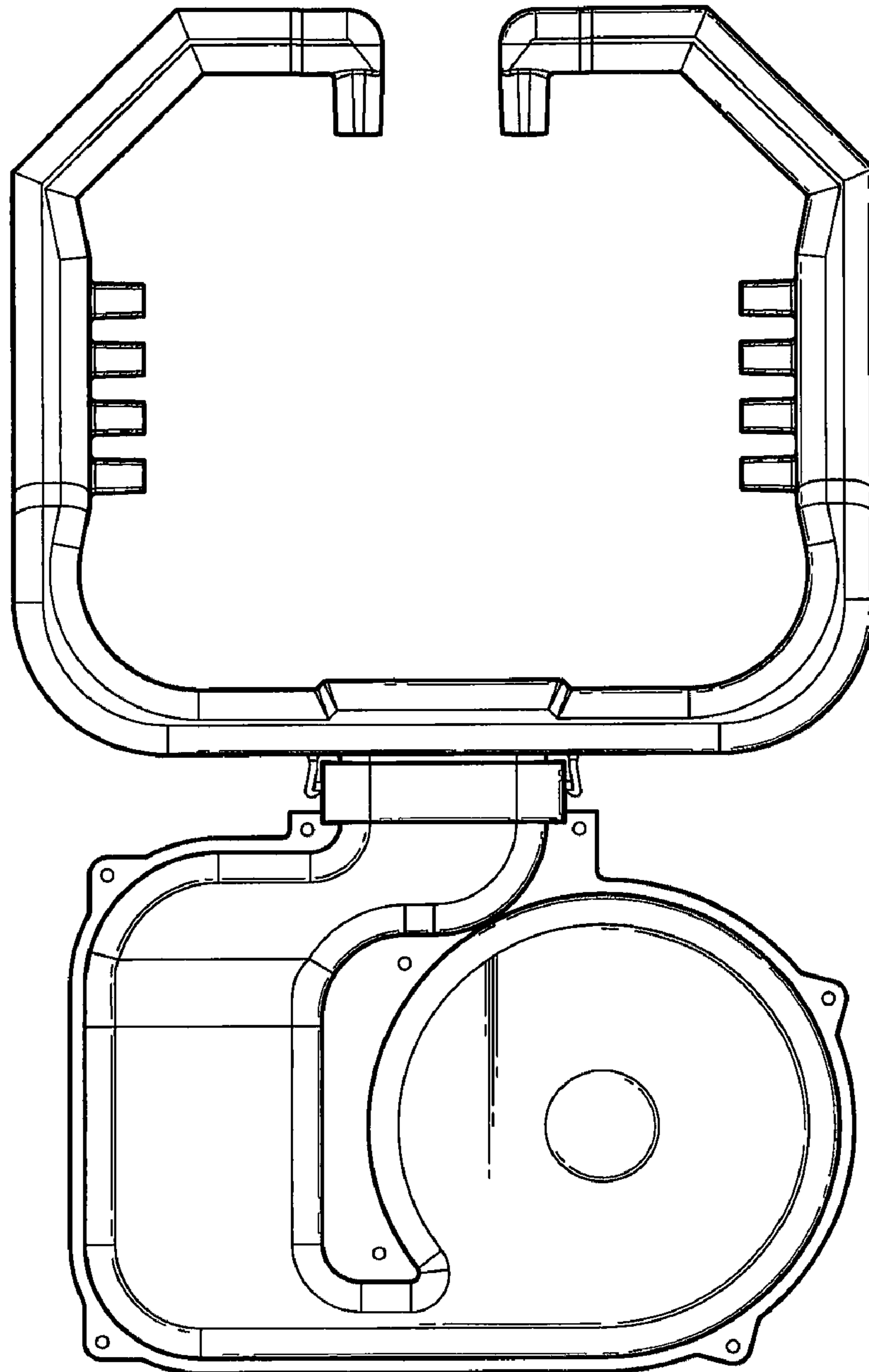


Fig. 4

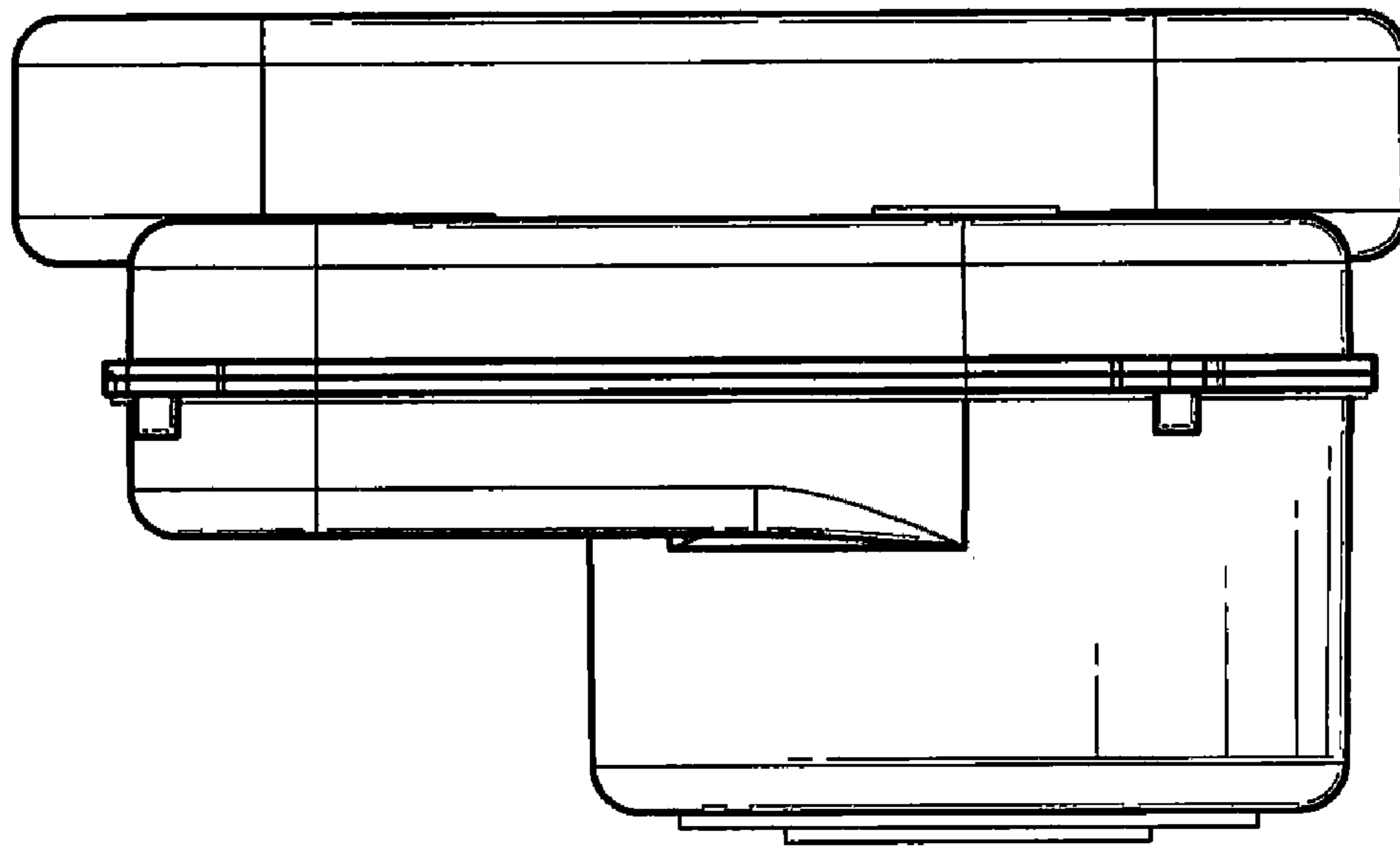


Fig. 5

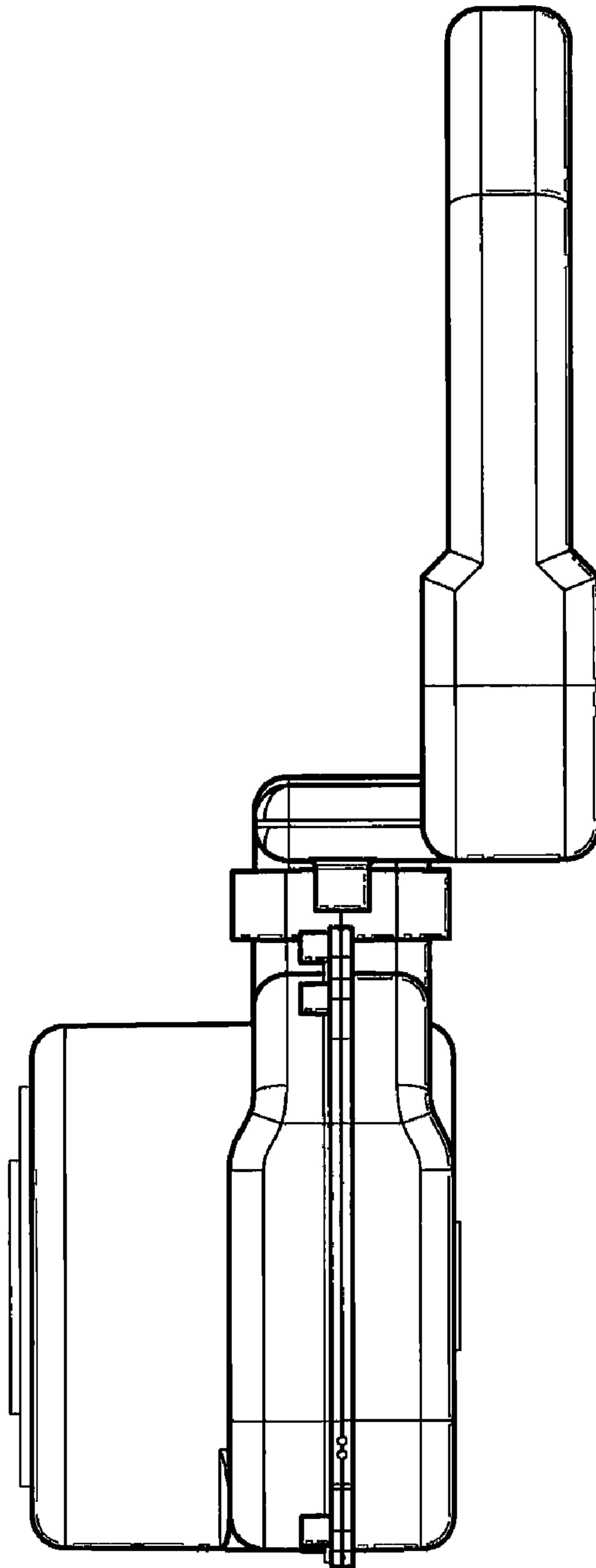


Fig. 6

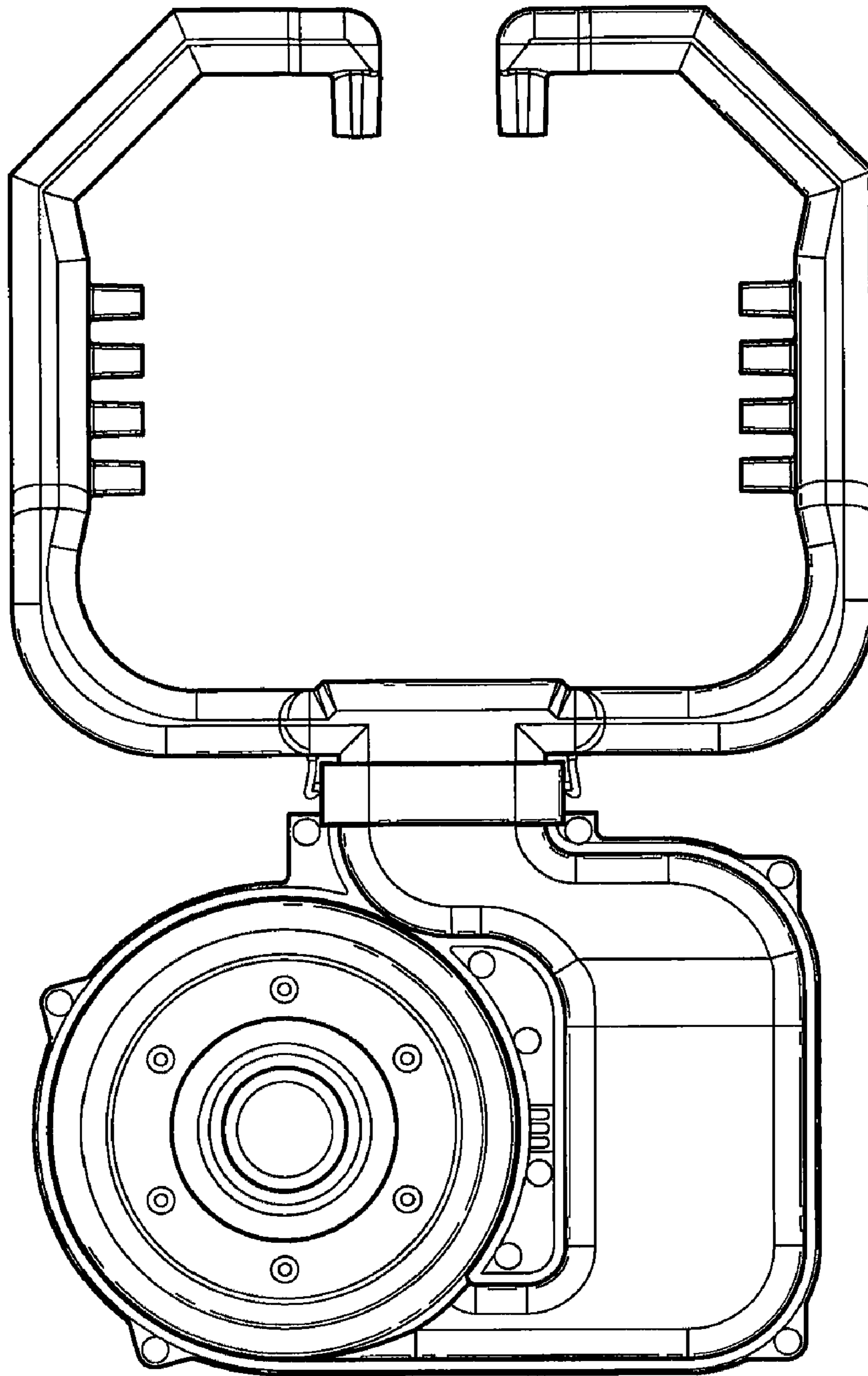


Fig. 7

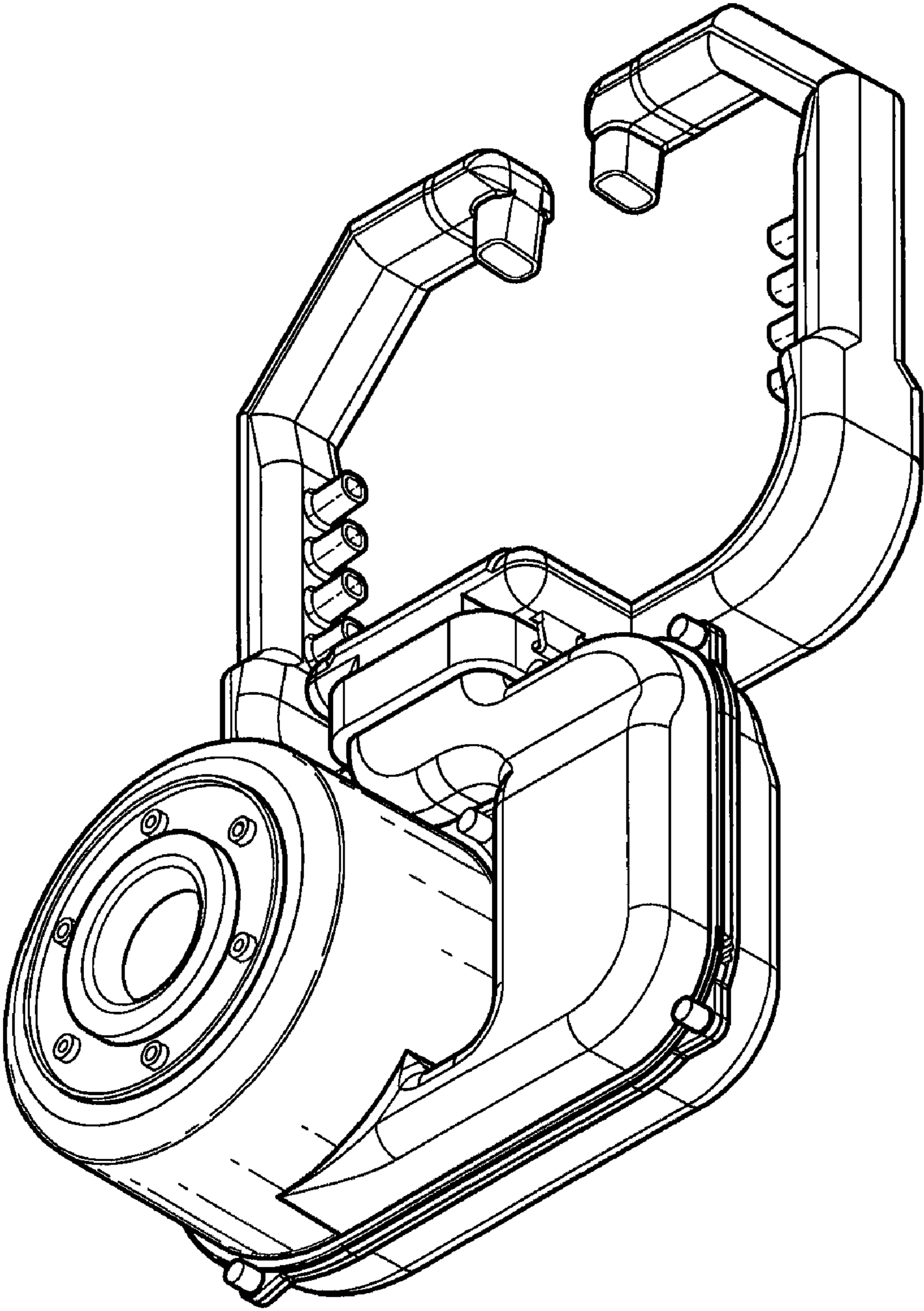


Fig. 8