

US00D668387S

(12) **United States Design Patent**
Grabes et al.

(10) **Patent No.:** **US D668,387 S**
(45) **Date of Patent:** **** Oct. 2, 2012**

(54) **SHAVER**

(75) Inventors: **Oliver Grabes**, Frankfurt (DE); **Björn Kling**, Glashütten (DE); **Markus Orthey**, Mainz (DE); **Gregor Ptok**, Frankfurt (DE); **Fritz Schubert**, Bad Camberg (DE); **Bernhard Sikora**, Kelkheim (DE); **Renke Joris Thye**, Westerstede (DE); **Phong Duy Vu**, Schwalbach (DE)

(73) Assignee: **Braun GmbH**, Cincinnati, OH (US)

(**) Term: **14 Years**

(21) Appl. No.: **29/390,034**

(22) Filed: **Apr. 19, 2011**

(30) **Foreign Application Priority Data**

Oct. 19, 2010 (WO) 56953201

(51) **LOC (9) Cl.** **28-03**

(52) **U.S. Cl.** **D28/51**

(58) **Field of Classification Search** 30/32, 34.05, 30/34.1-34.2, 30-31, 43-43.92, 44-45, 47-51, 30/77-84, 526-541, 346.5-346.61, 194-196, 30/198-205, 208-216, 233-233.5; D28/44-44.1, D28/45-54

See application file for complete search history.

(56) **References Cited**

U.S. PATENT DOCUMENTS

D513,541 S * 1/2006 Nishizawa D28/49
D551,801 S * 9/2007 Ullmann et al. D28/51
D571,957 S * 6/2008 Nishizawa D28/51
D571,960 S * 6/2008 Nishizawa D28/54

D572,408 S * 7/2008 Nishizawa D28/49
D587,849 S * 3/2009 Nishizawa D28/51
D632,434 S * 2/2011 Maguire et al. D28/51
2009/0133264 A1 * 5/2009 Eichhorn et al. 30/43.1
2011/0179648 A1 * 7/2011 Sakon et al. 30/34.2

* cited by examiner

Primary Examiner — Jennifer Rivard

(74) *Attorney, Agent, or Firm* — Brent M. Peebles; Kim William Zerby

(57) **CLAIM**

The ornamental design for a shaver, as shown and described above.

DESCRIPTION

FIG. 1 is a perspective view of a shaver;

FIG. 2 is a front view thereof;

FIG. 3 is a right side view thereof;

FIG. 4 is a rear view thereof;

FIG. 5 is a left side view thereof;

FIG. 6 is a top plan view thereof;

FIG. 7 is a bottom view thereof.

FIG. 8 is a perspective view of a shaver;

FIG. 9 is a front view thereof;

FIG. 10 is a right side view thereof;

FIG. 11 is a rear view thereof;

FIG. 12 is a left side view thereof;

FIG. 13 is a top plan view thereof;

FIG. 14 is a bottom view thereof.

FIG. 15 is a perspective view of a shaver;

FIG. 16 is a front view thereof;

FIG. 17 is a right side view thereof;

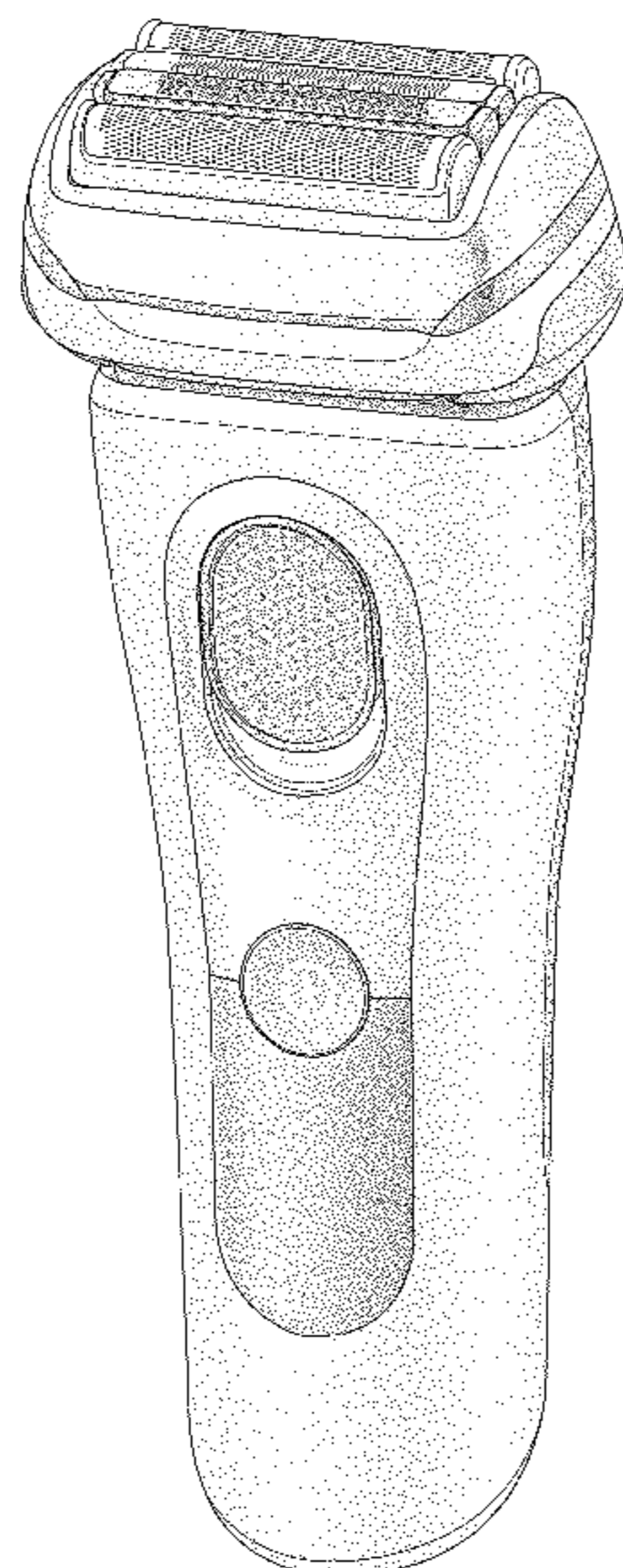
FIG. 18 is a rear view thereof;

FIG. 19 is a left side view thereof;

FIG. 20 is a top plan view thereof; and,

FIG. 21 is a bottom view thereof.

1 Claim, 8 Drawing Sheets



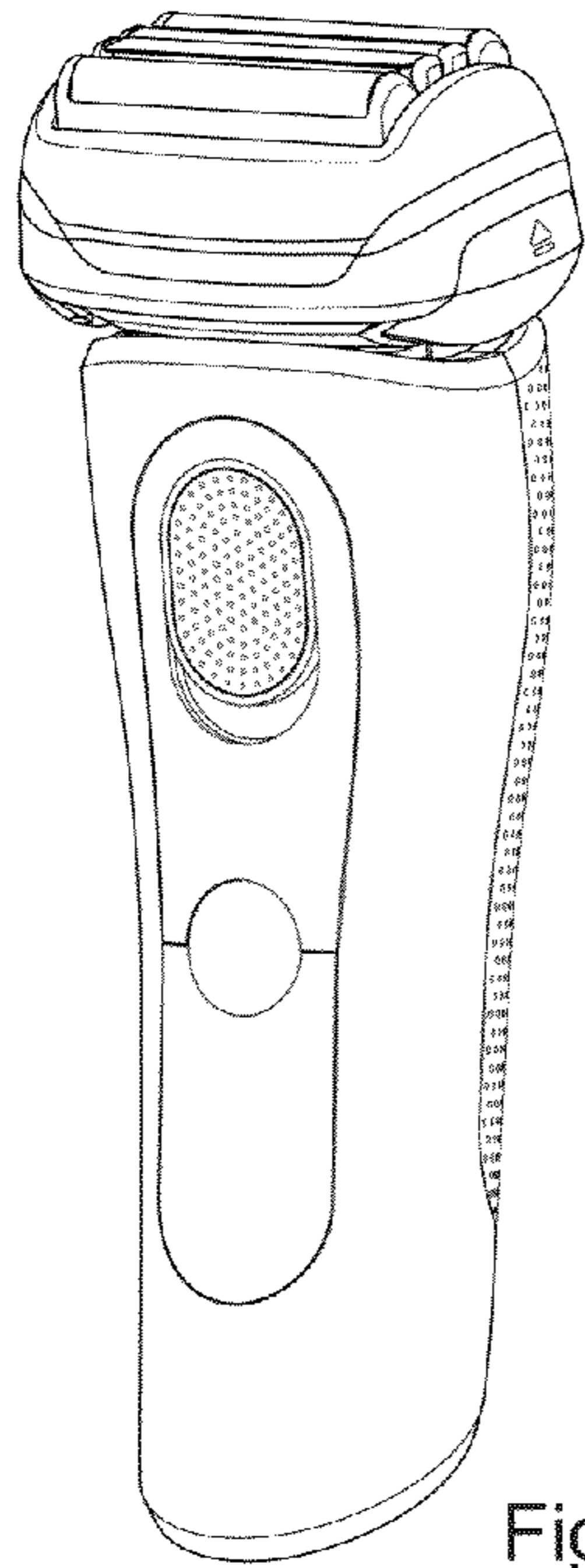


Fig. 1

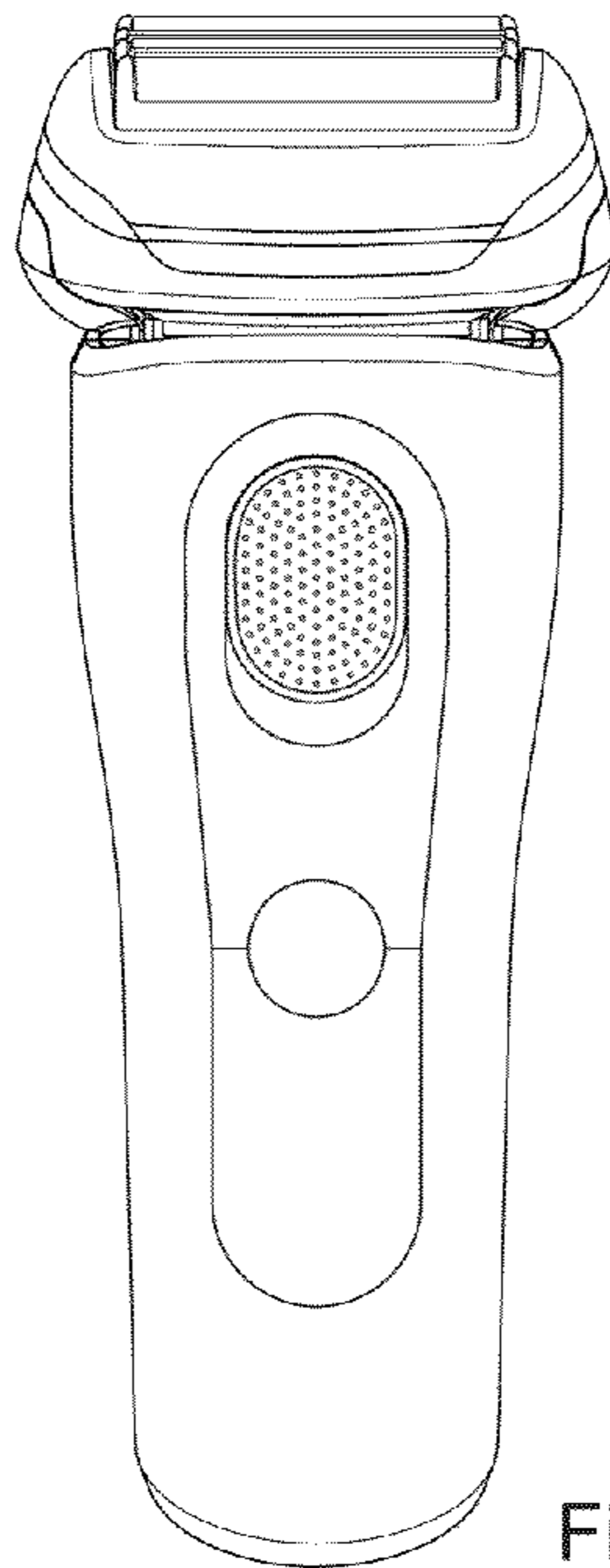


Fig. 2

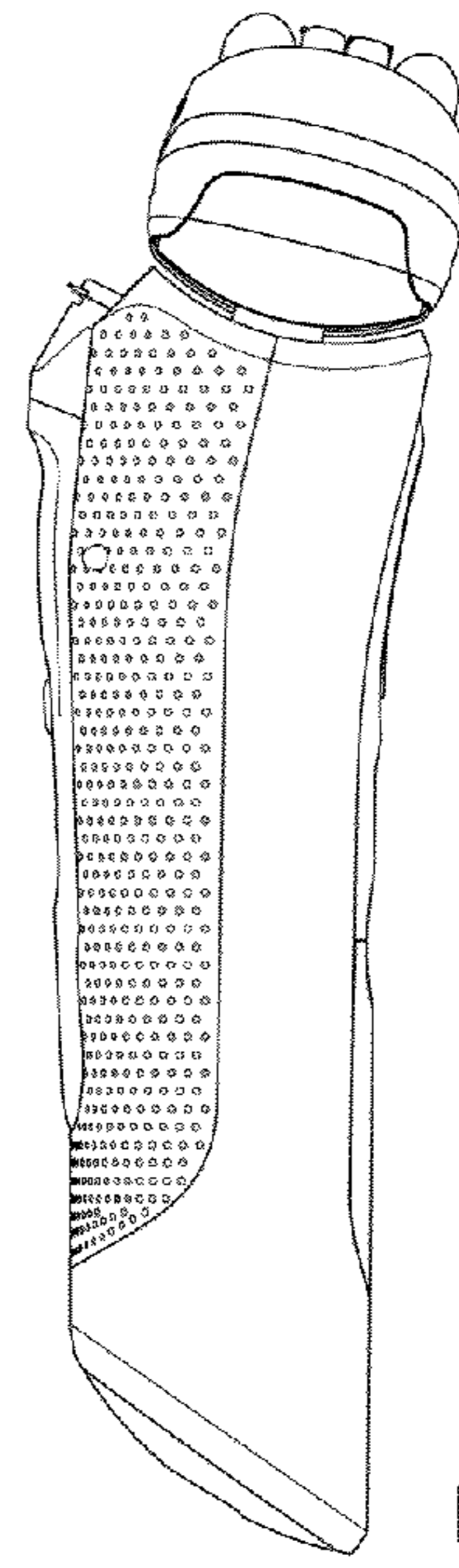


Fig. 3

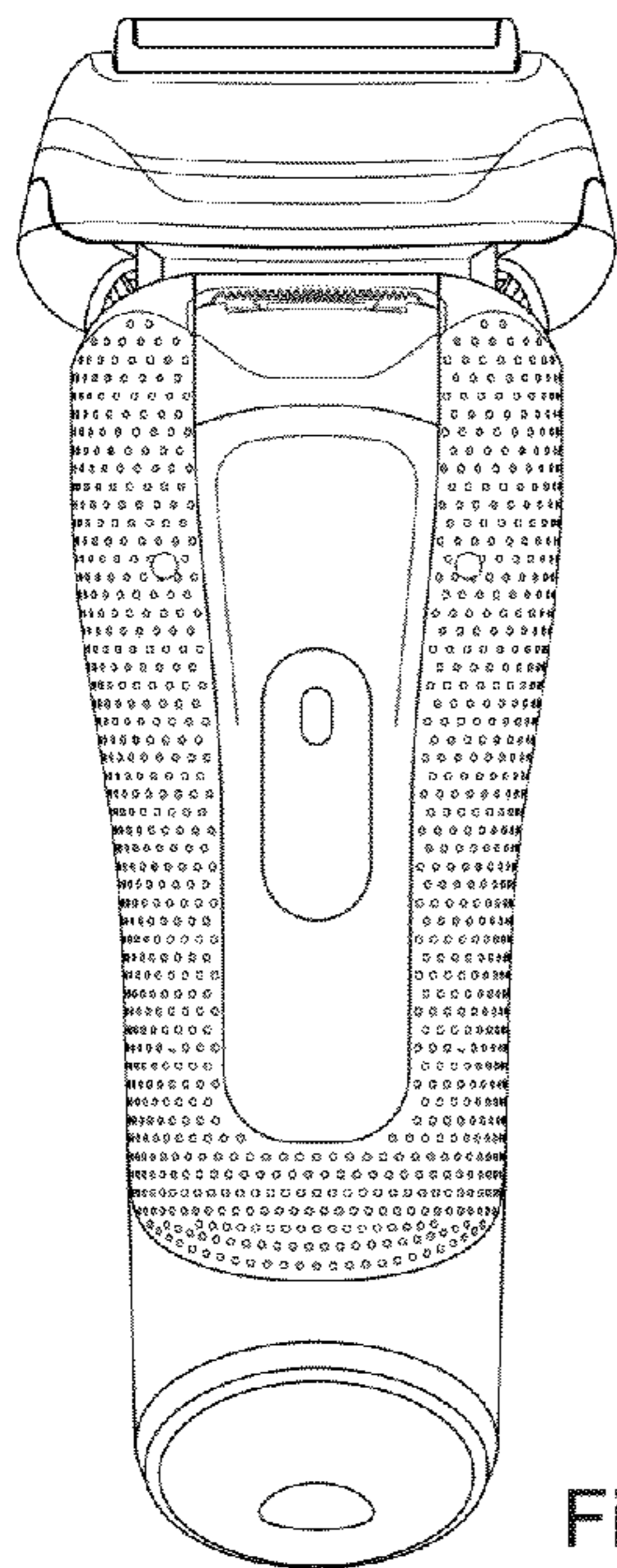


Fig. 4

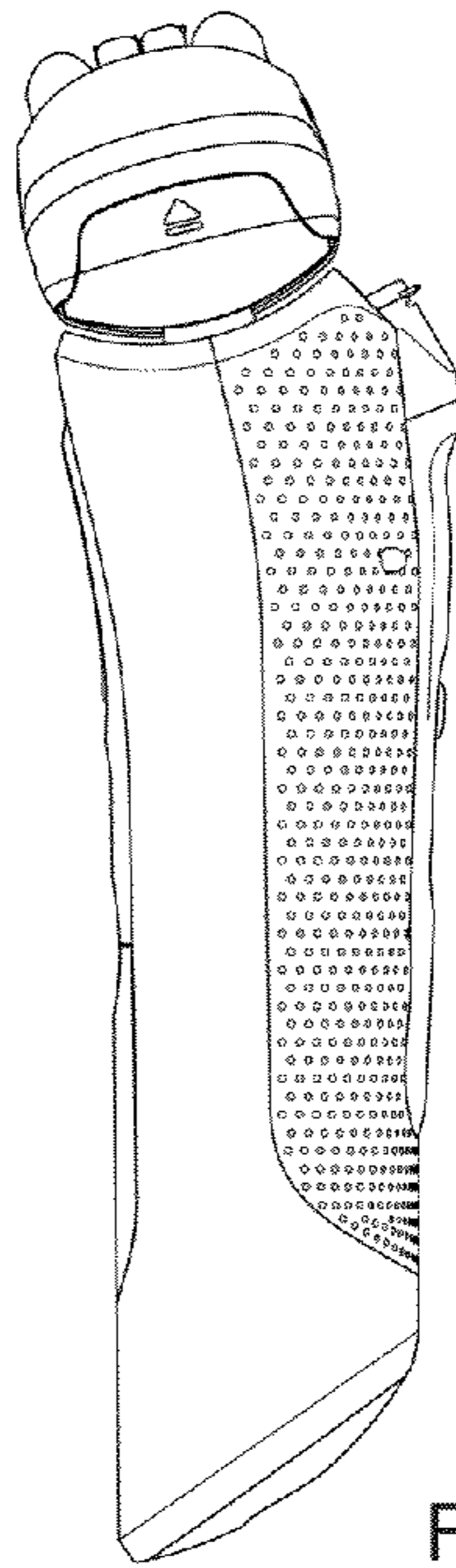


Fig. 5

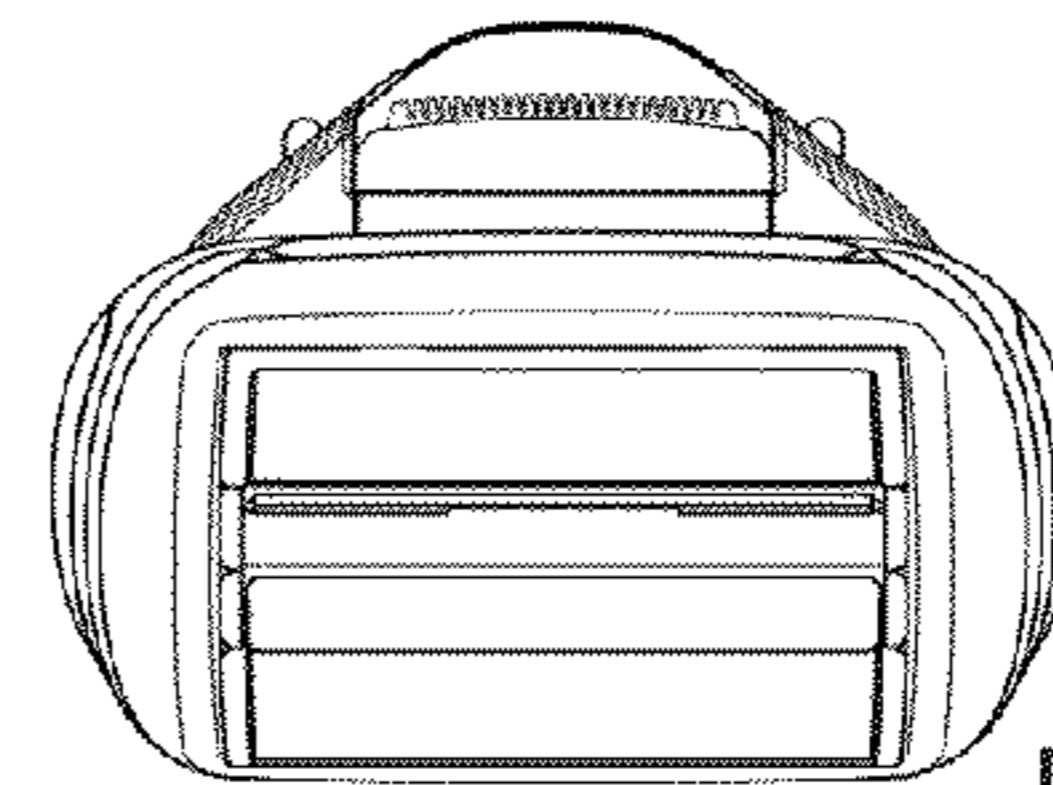


Fig. 6

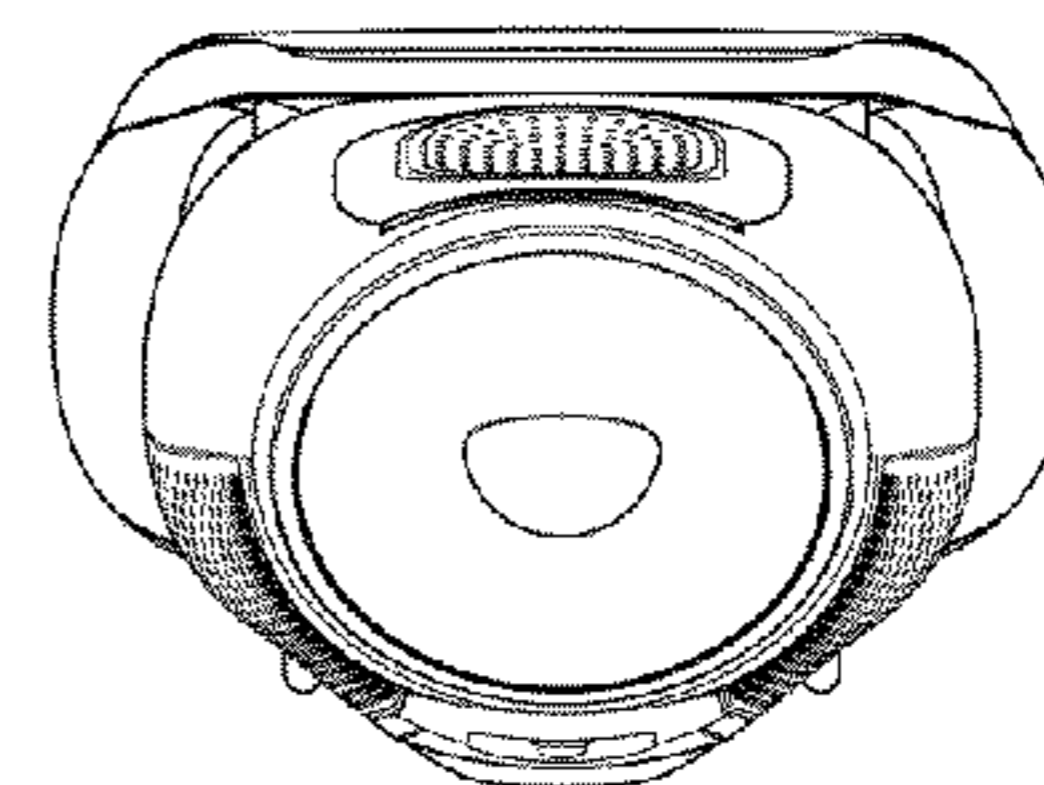


Fig. 7

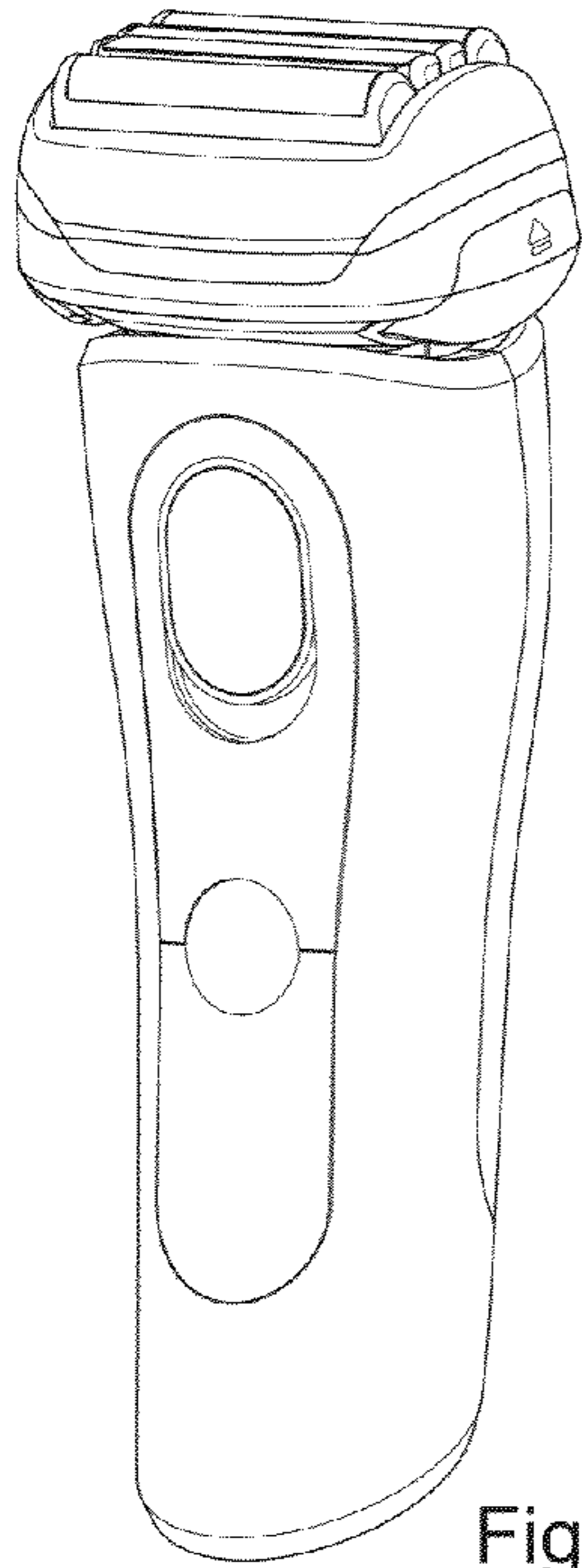


Fig. 8

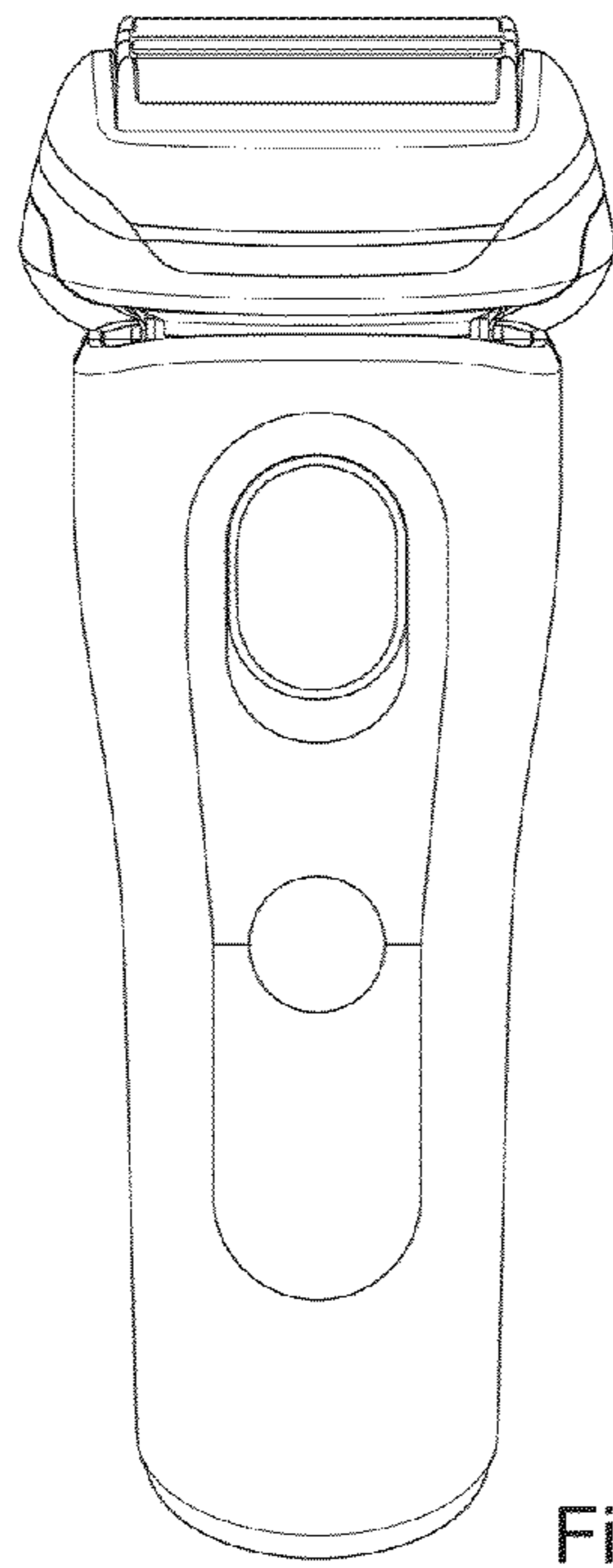


Fig. 9

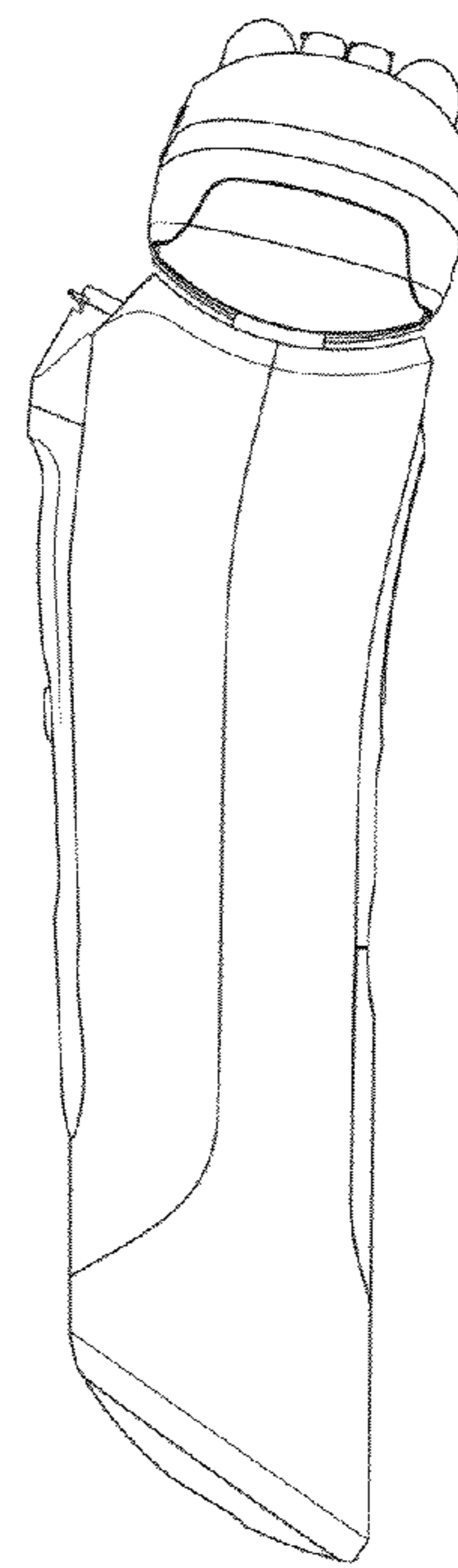


Fig. 10

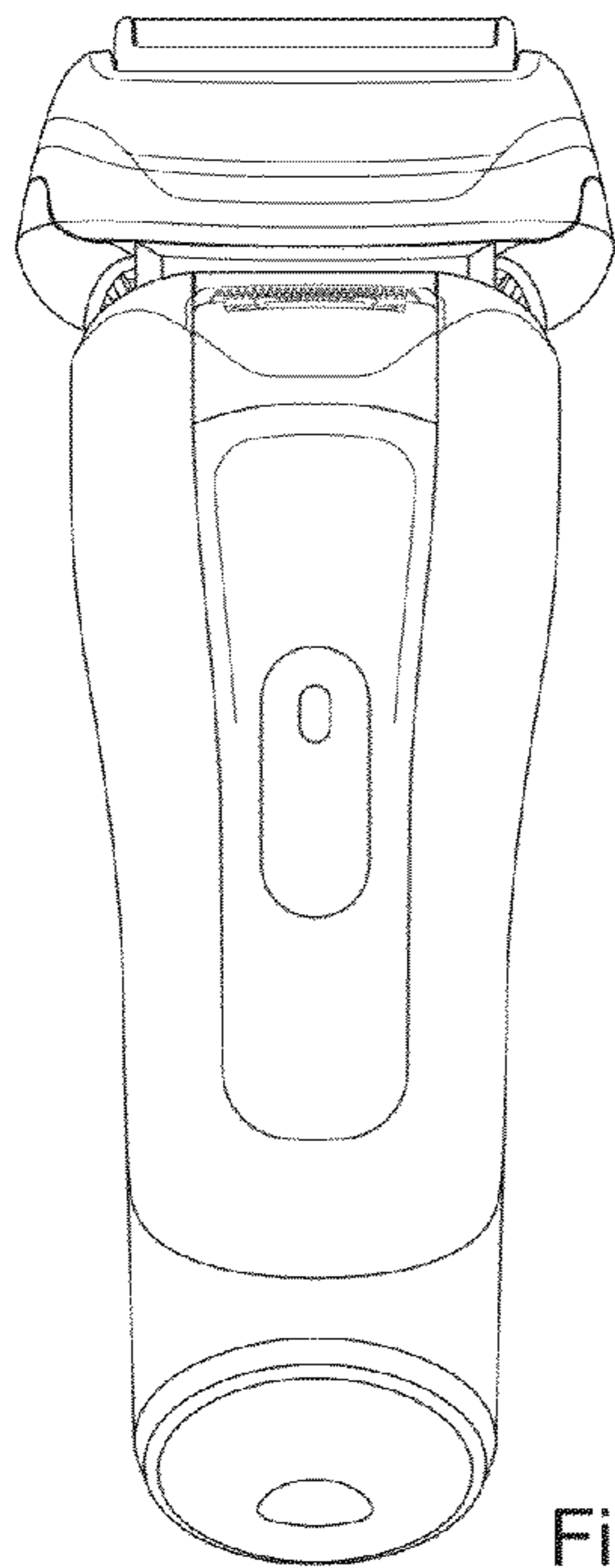


Fig. 11

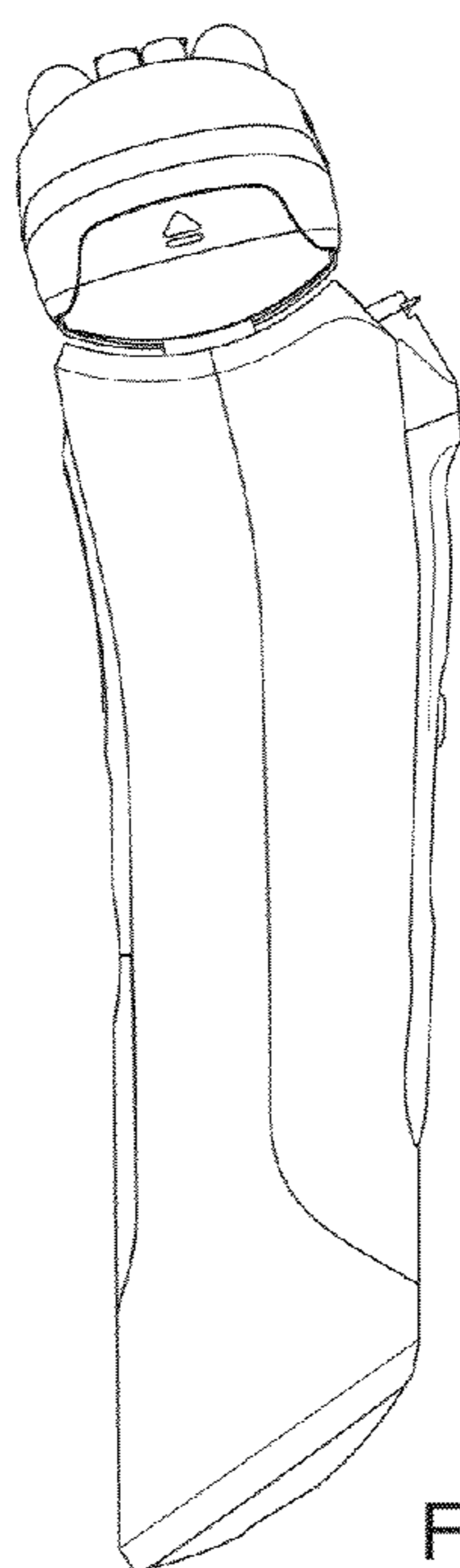


Fig. 12

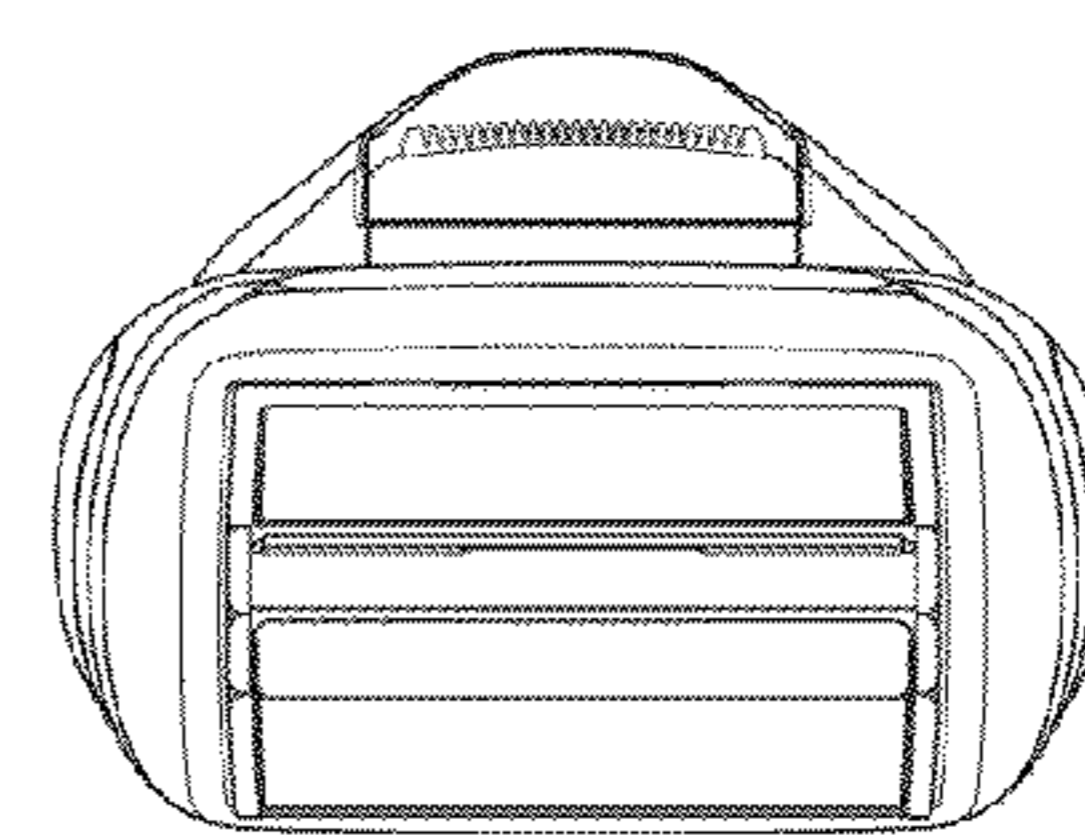


Fig. 13

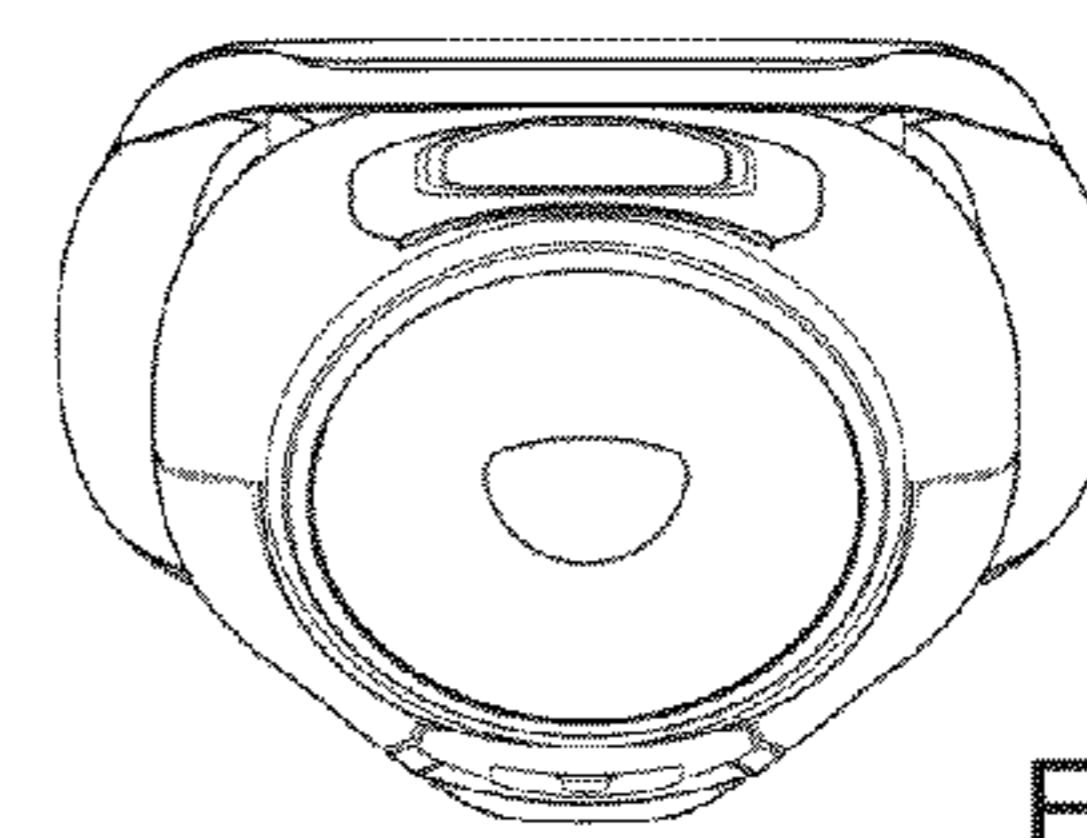


Fig. 14

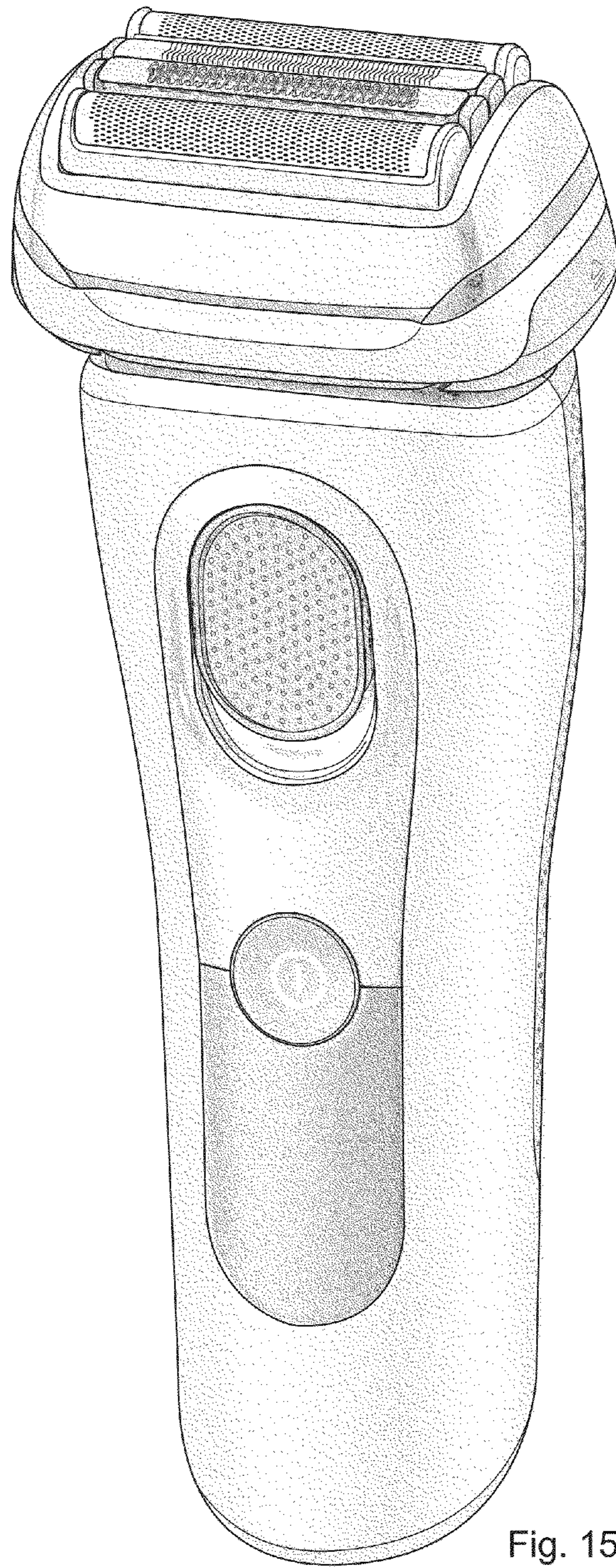


Fig. 15

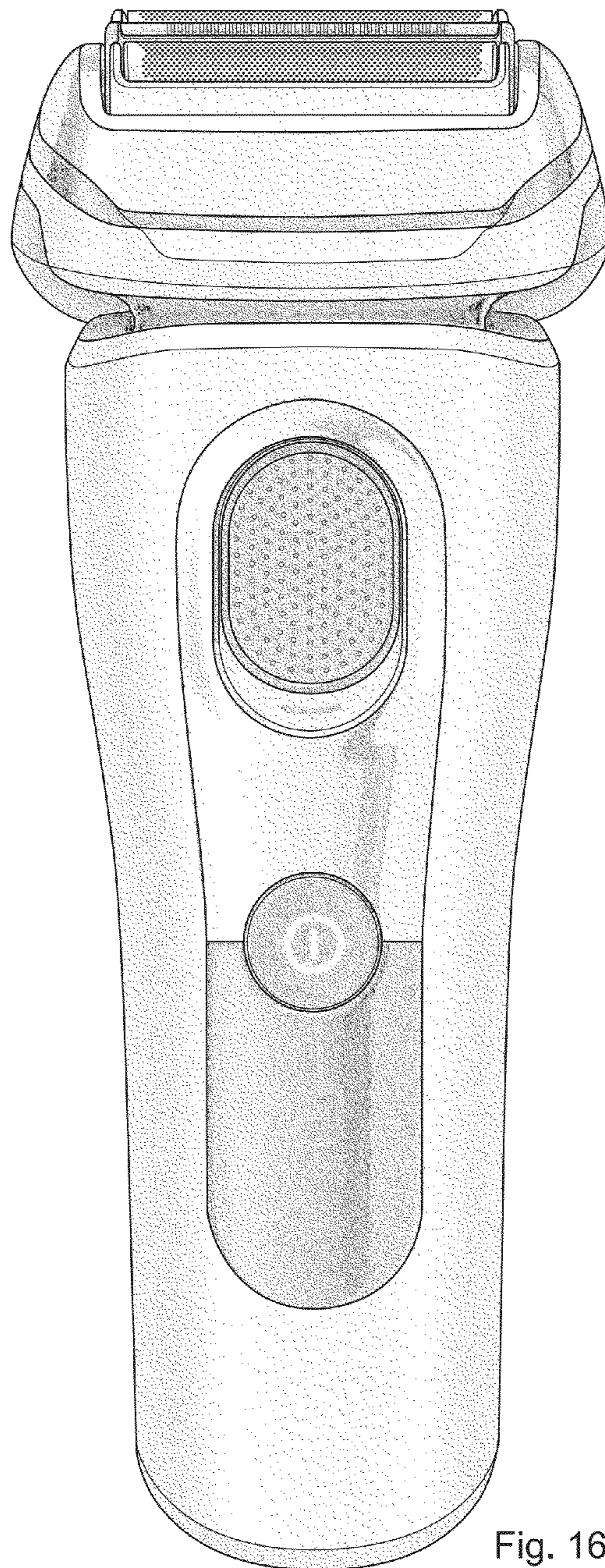


Fig. 16

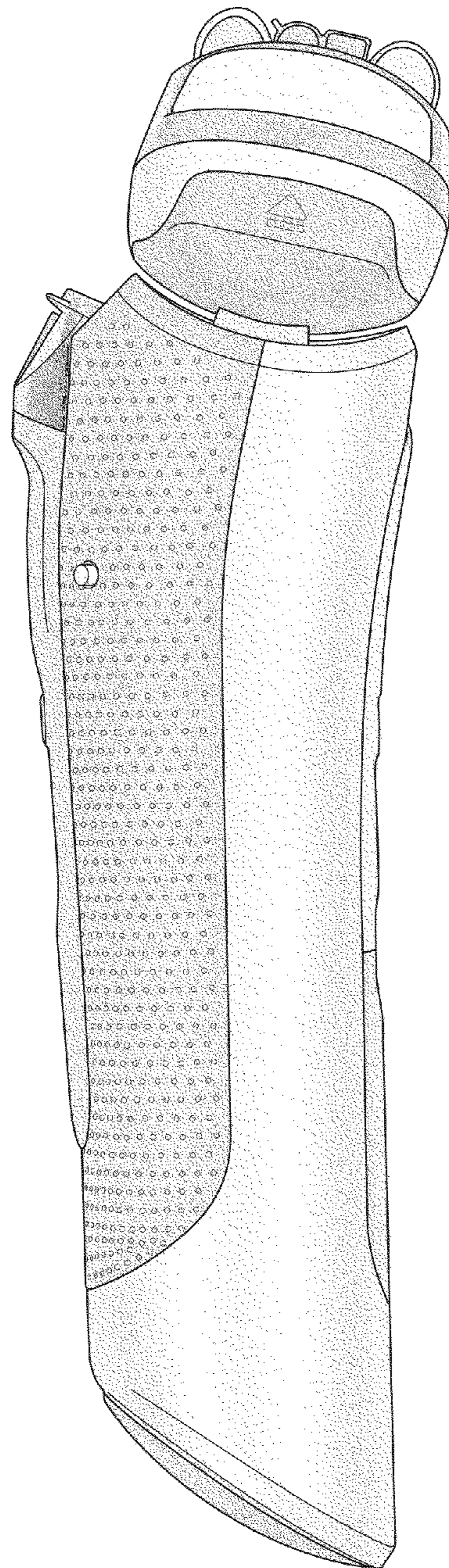


Fig. 17

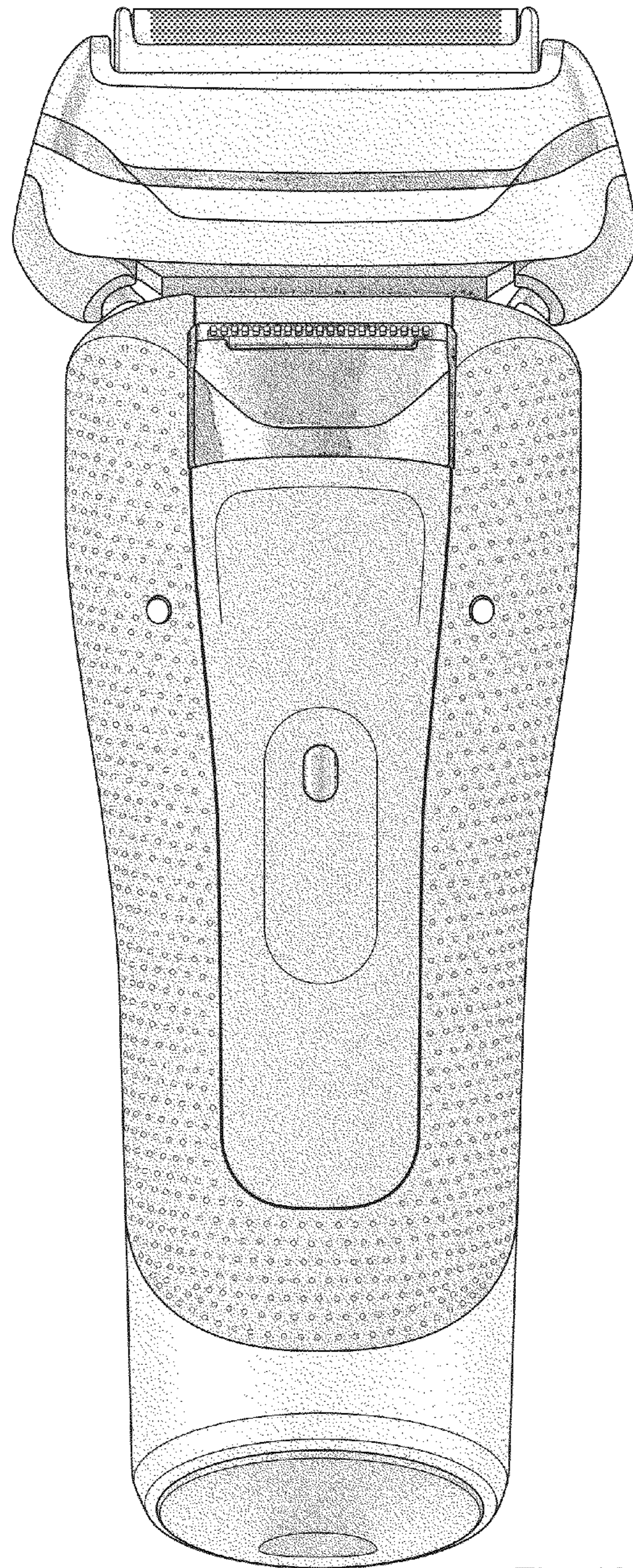


Fig. 18

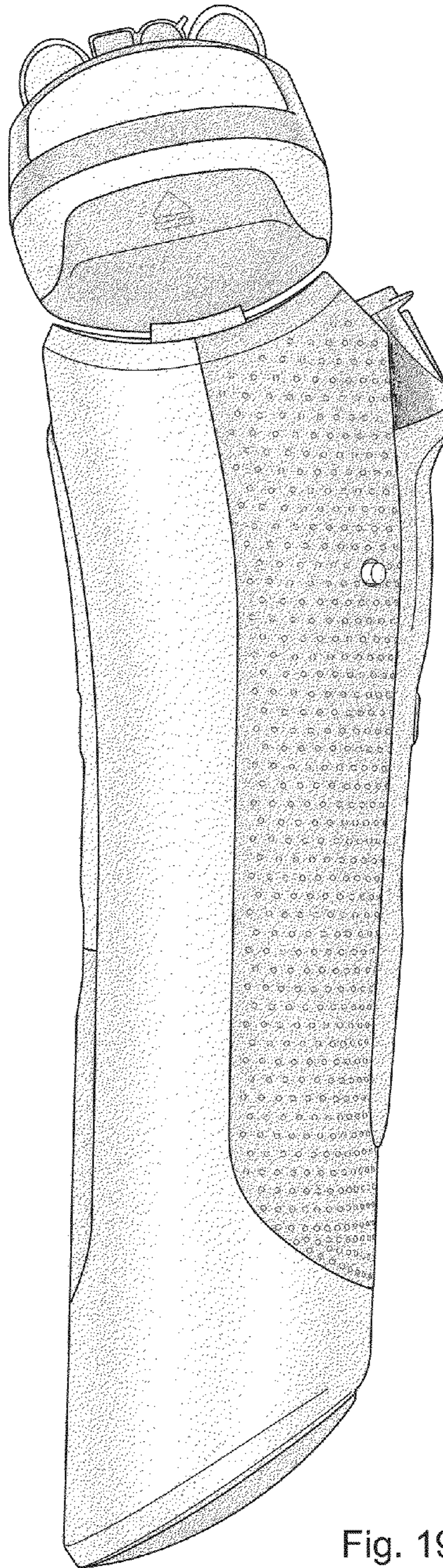


Fig. 19

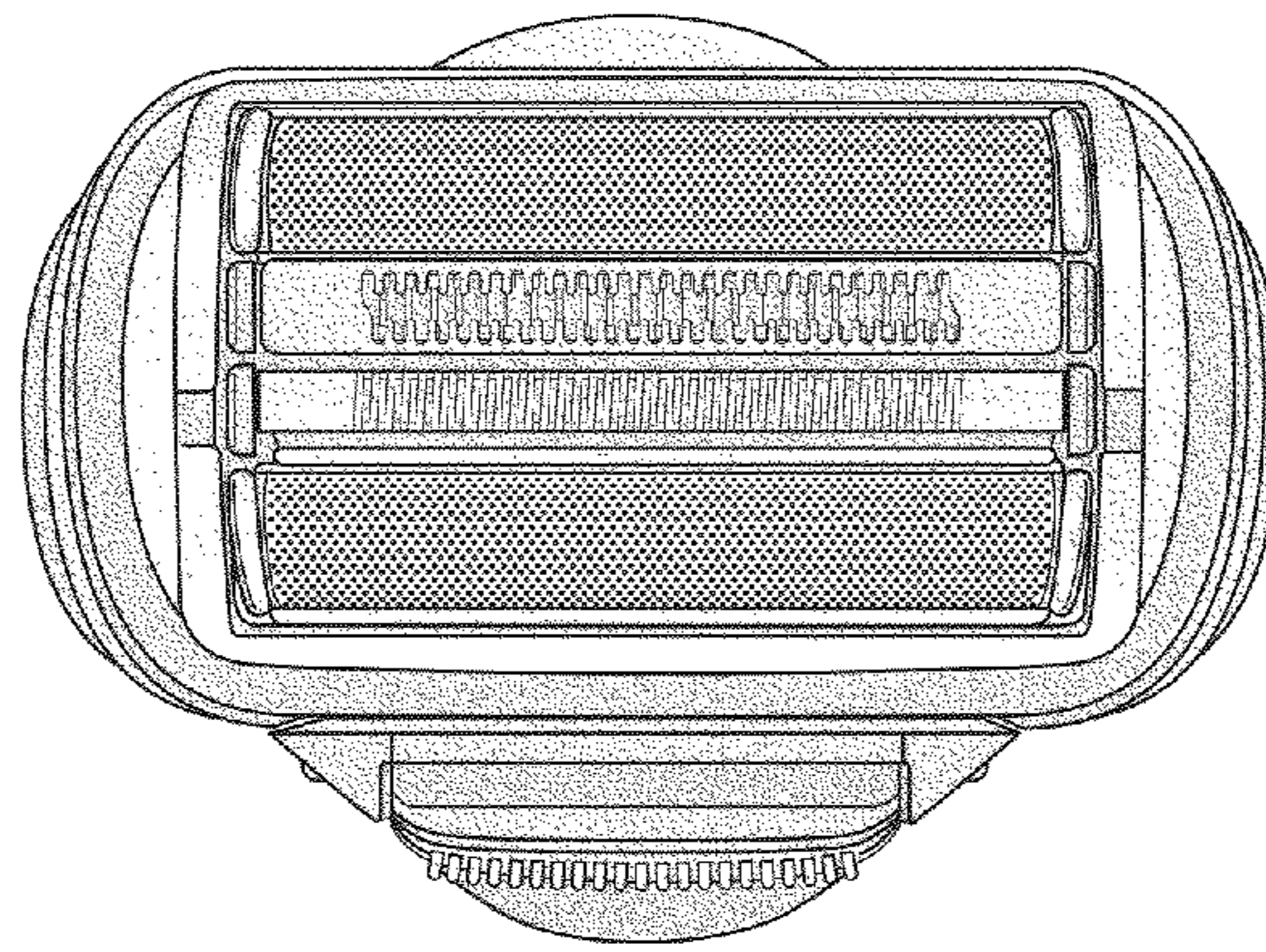


Fig. 20

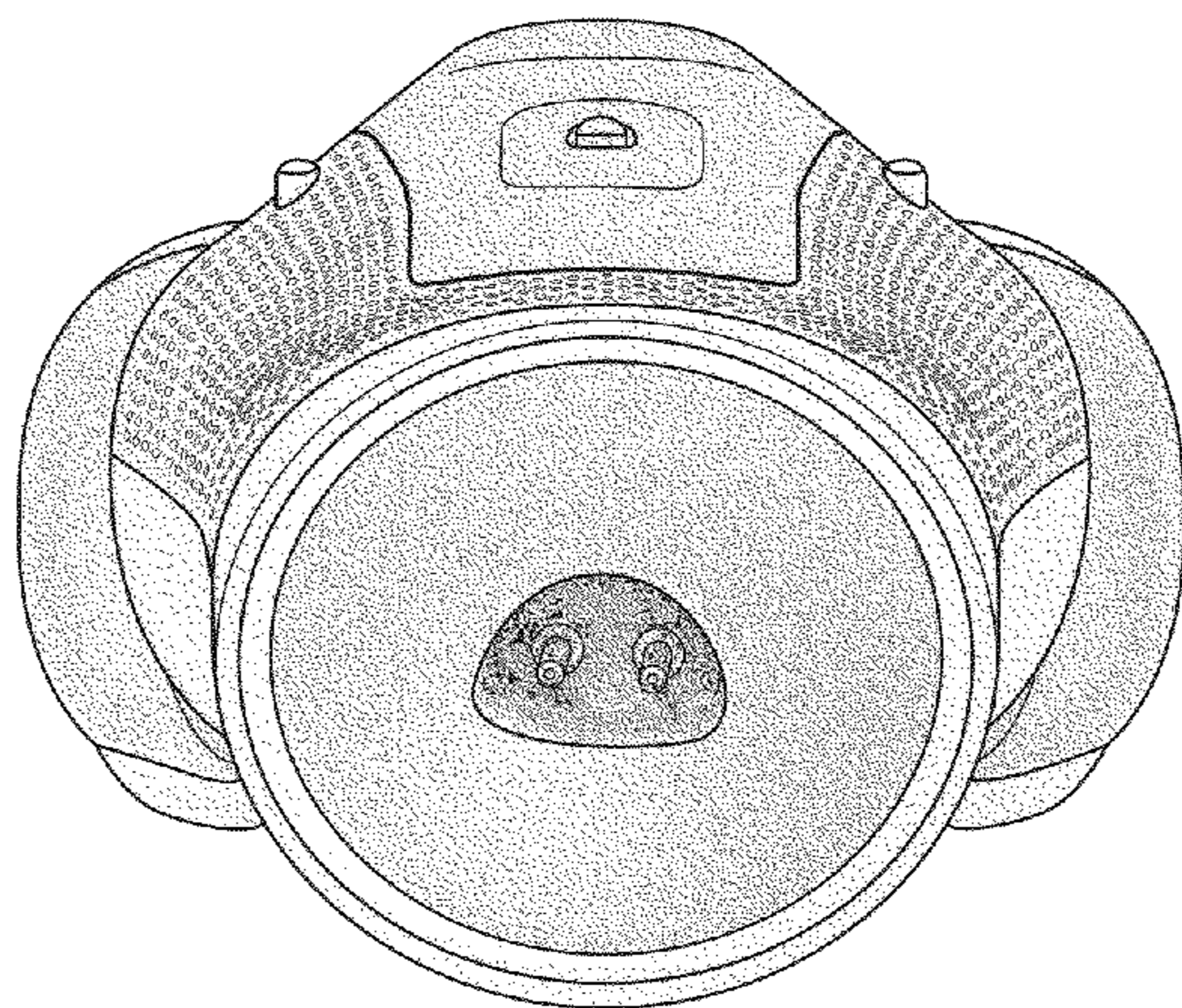


Fig. 21