



US00D668386S

(12) **United States Design Patent**  
**Hall**

(10) **Patent No.:** **US D668,386 S**

(45) **Date of Patent:** **\*\* Oct. 2, 2012**

(54) **NOZZLE ATTACHMENT FOR A HAIR DRYER**

*Primary Examiner* — Zenia Bennett

(75) **Inventor:** **Jeffrey P. Hall**, Naples, FL (US)

(74) *Attorney, Agent, or Firm* — Porter, Wright, Morris & Arthur, LLP

(73) **Assignee:** **Vexpro, LLC**, Naples, FL (US)

(\*\*) **Term:** **14 Years**

(57) **CLAIM**

(21) **Appl. No.:** **29/417,738**

The ornamental design for a nozzle attachment for a hair dryer, as shown and described.

(22) **Filed:** **Apr. 9, 2012**

(51) **LOC (9) Cl.** ..... **28-03**

(52) **U.S. Cl.** ..... **D28/18**

(58) **Field of Classification Search** ..... D28/12-19;  
34/96-101; 392/380-385; 219/222  
See application file for complete search history.

**DESCRIPTION**

FIG. 1 is a perspective view of a nozzle attachment for a hair dryer according to my new design;  
FIG. 2 is another perspective view thereof;  
FIG. 3 is a front view thereof;  
FIG. 4 is a rear view thereof;  
FIG. 5 is a bottom view thereof;  
FIG. 6 is a top view thereof; and,  
FIG. 7 is a right side view thereof, the left side view being a mirror image thereof.

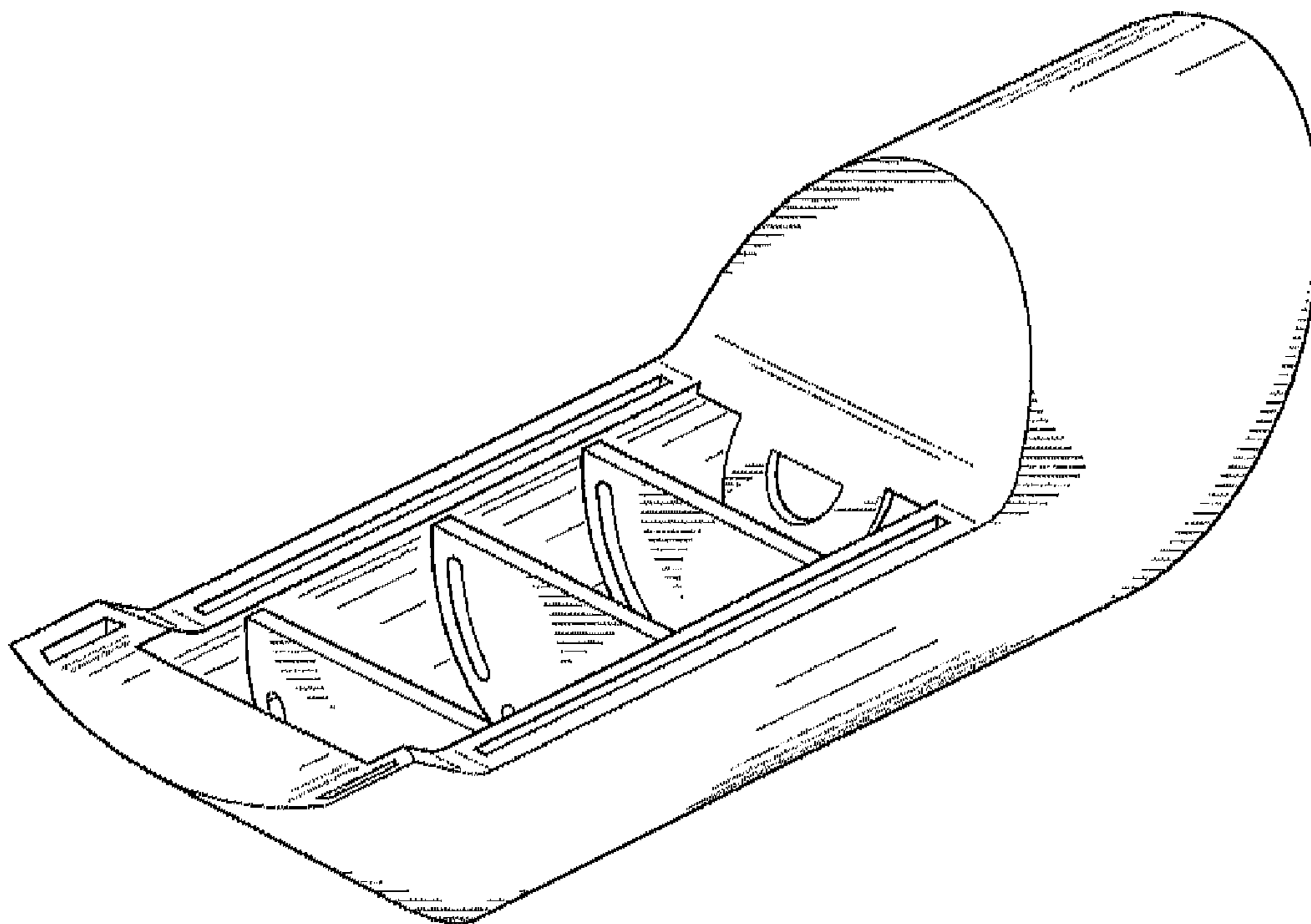
(56) **References Cited**

U.S. PATENT DOCUMENTS

D341,904 S *	11/1993	Smal .....	D28/15
D418,249 S *	12/1999	Elkerbout .....	D28/10
D421,152 S *	2/2000	Kwok .....	D28/18
D537,566 S *	2/2007	Kondo et al. ....	D28/13

\* cited by examiner

**1 Claim, 3 Drawing Sheets**



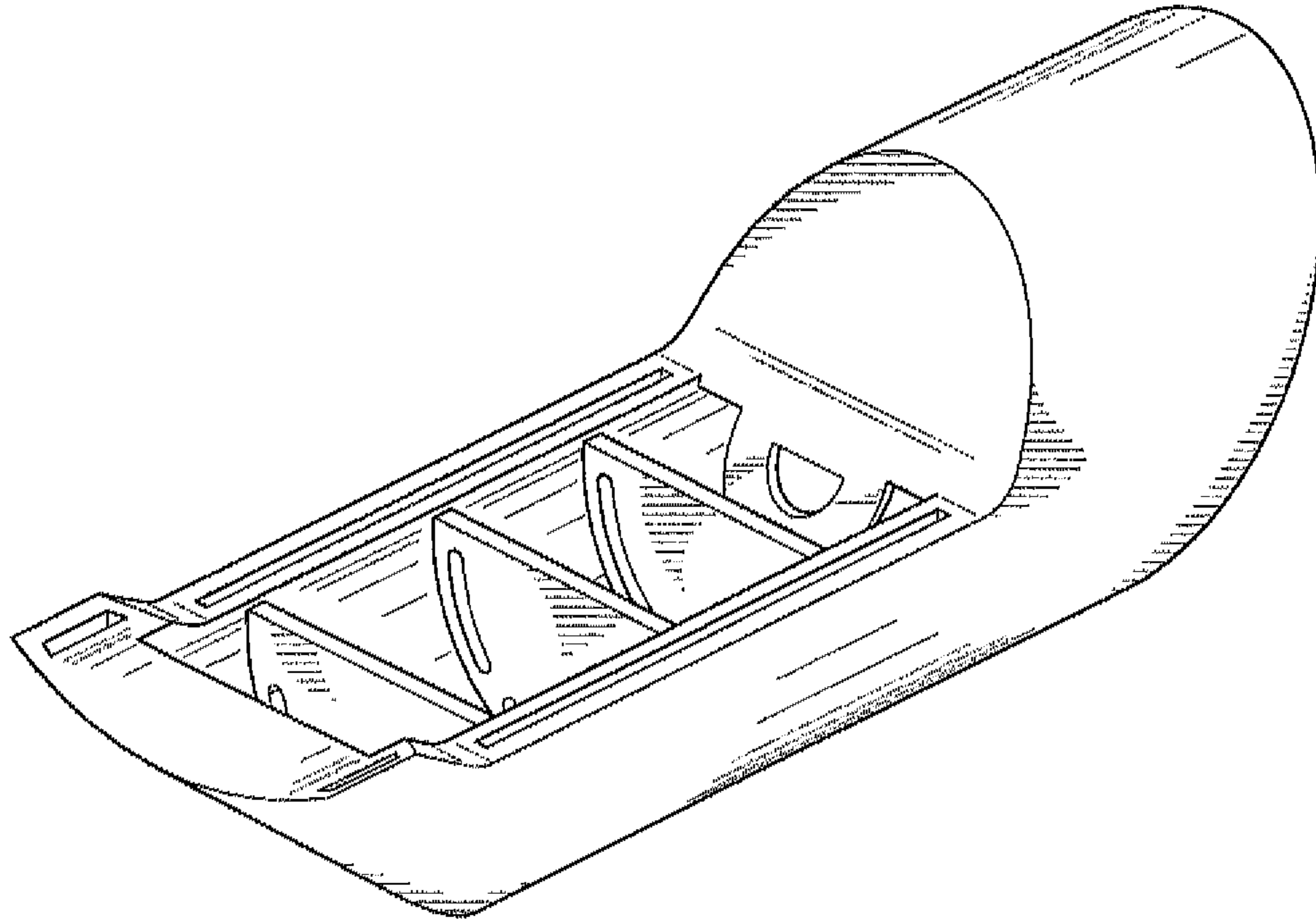


Fig. 1

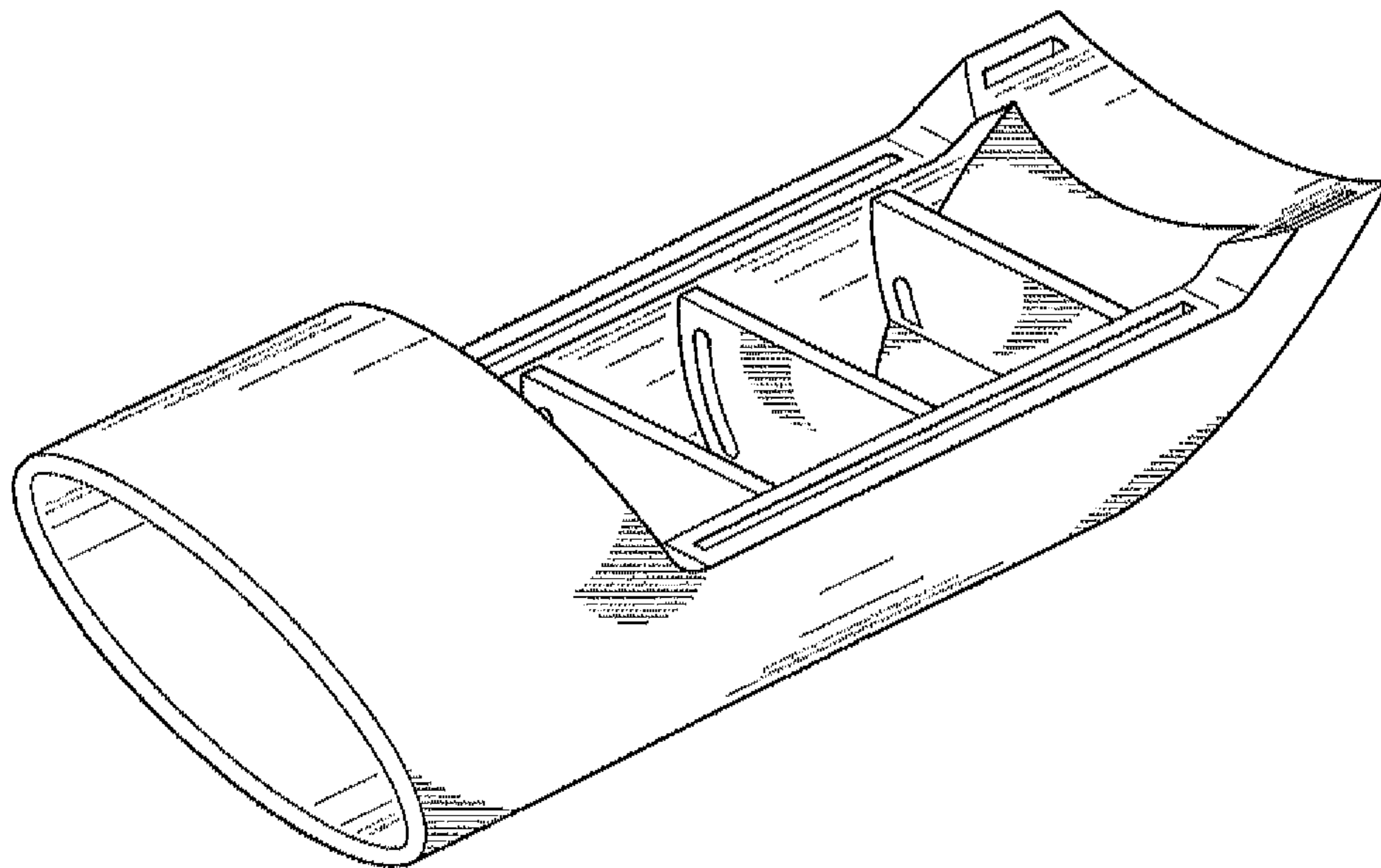
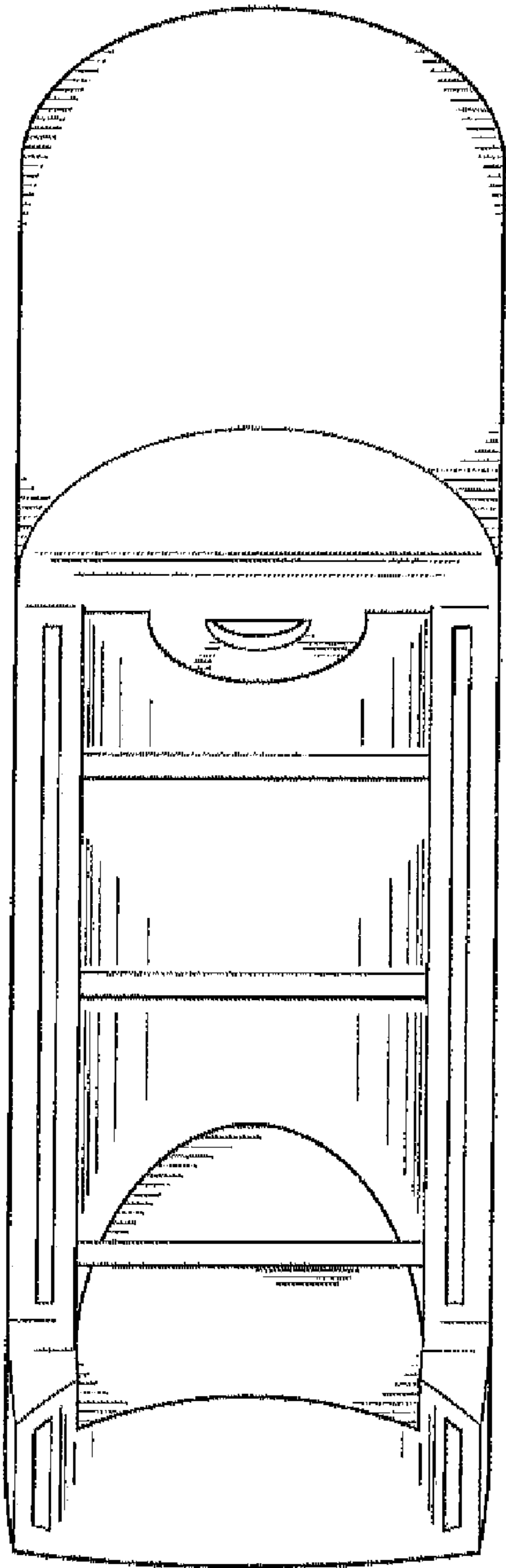
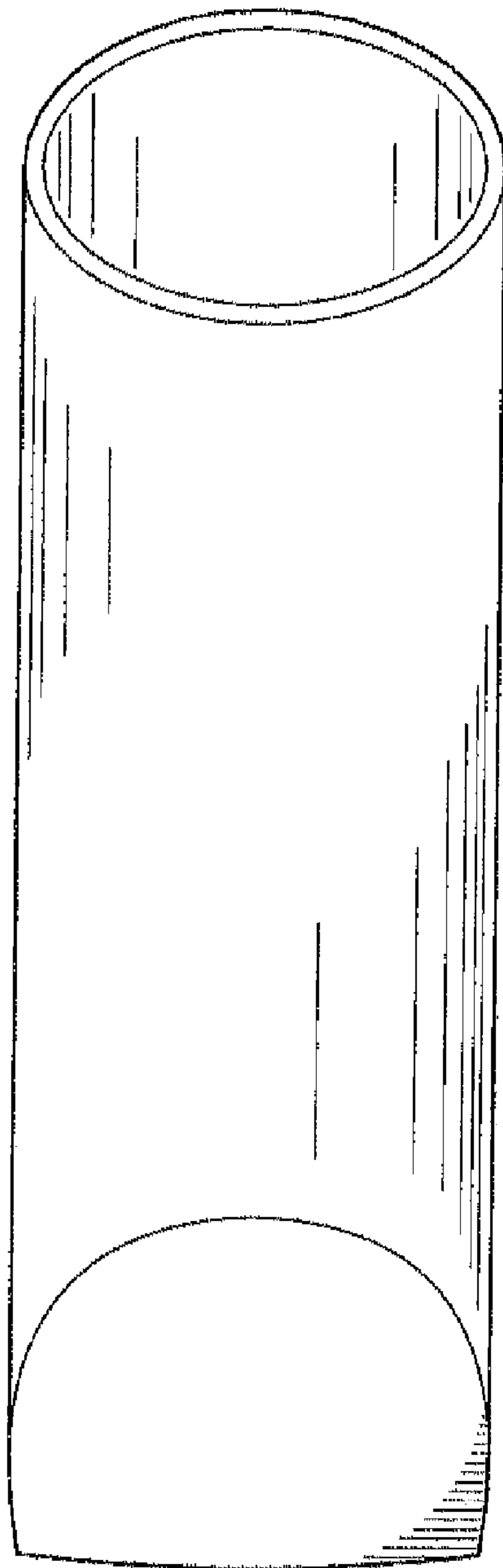


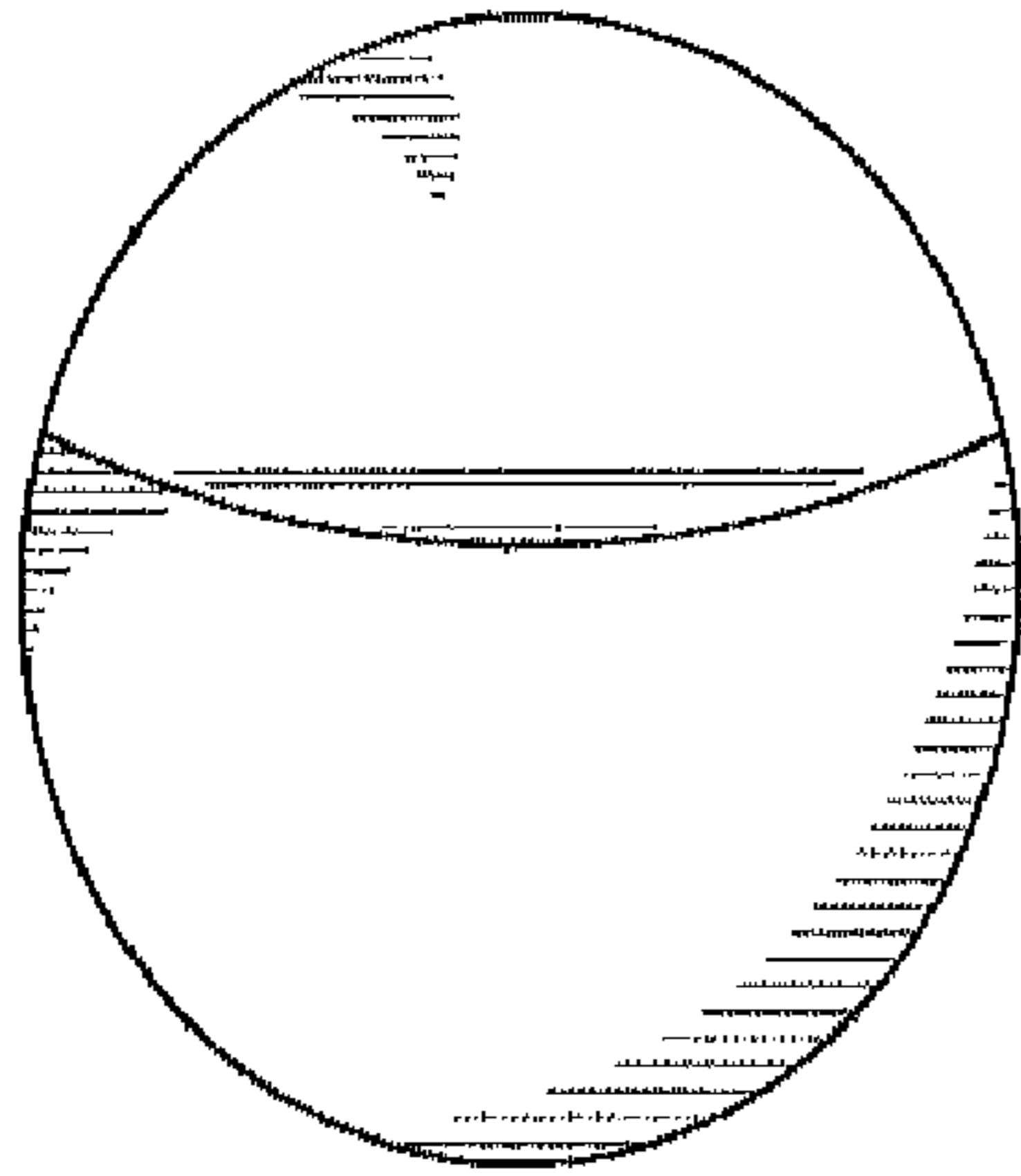
Fig. 2



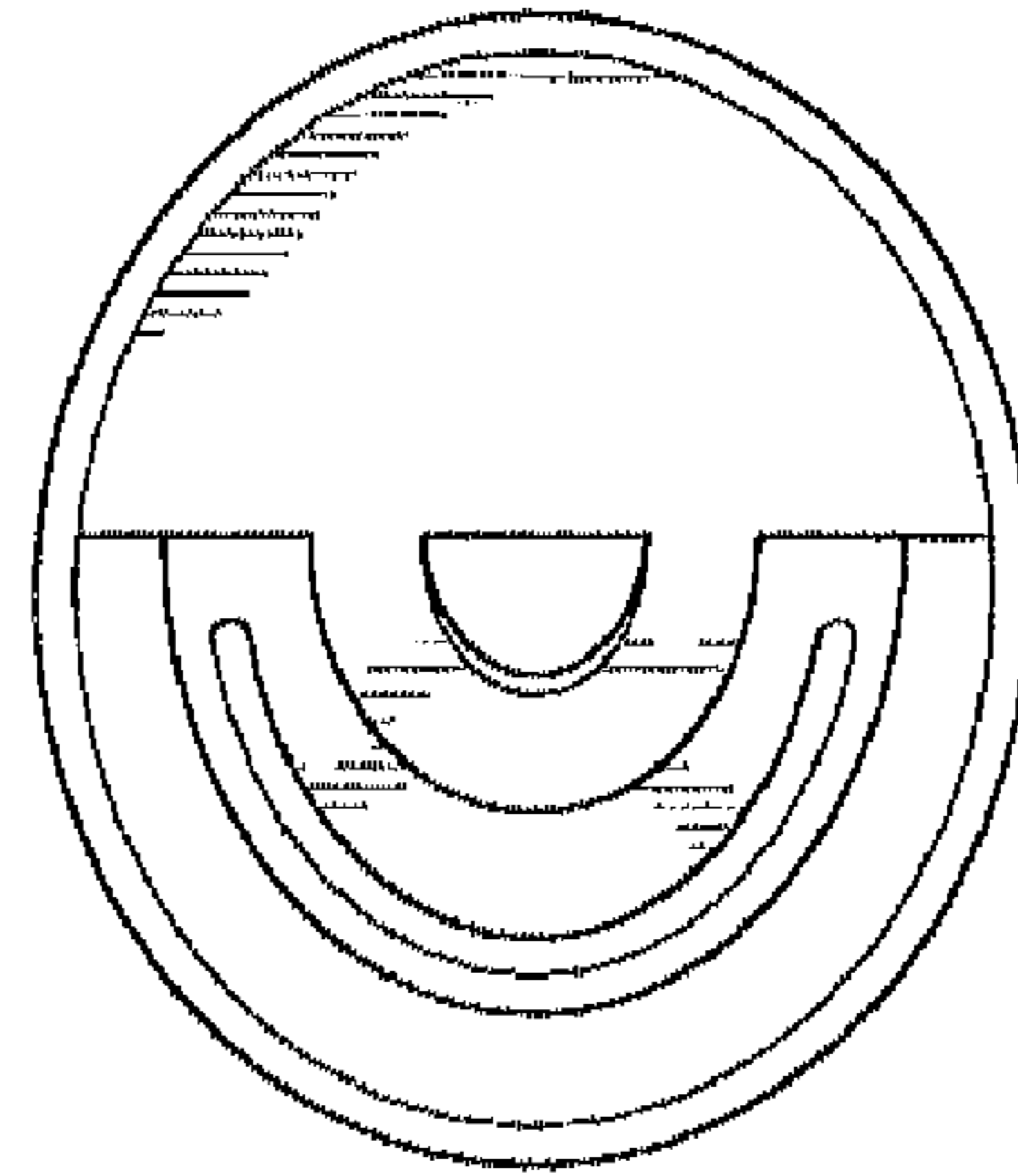
**Fig. 3**



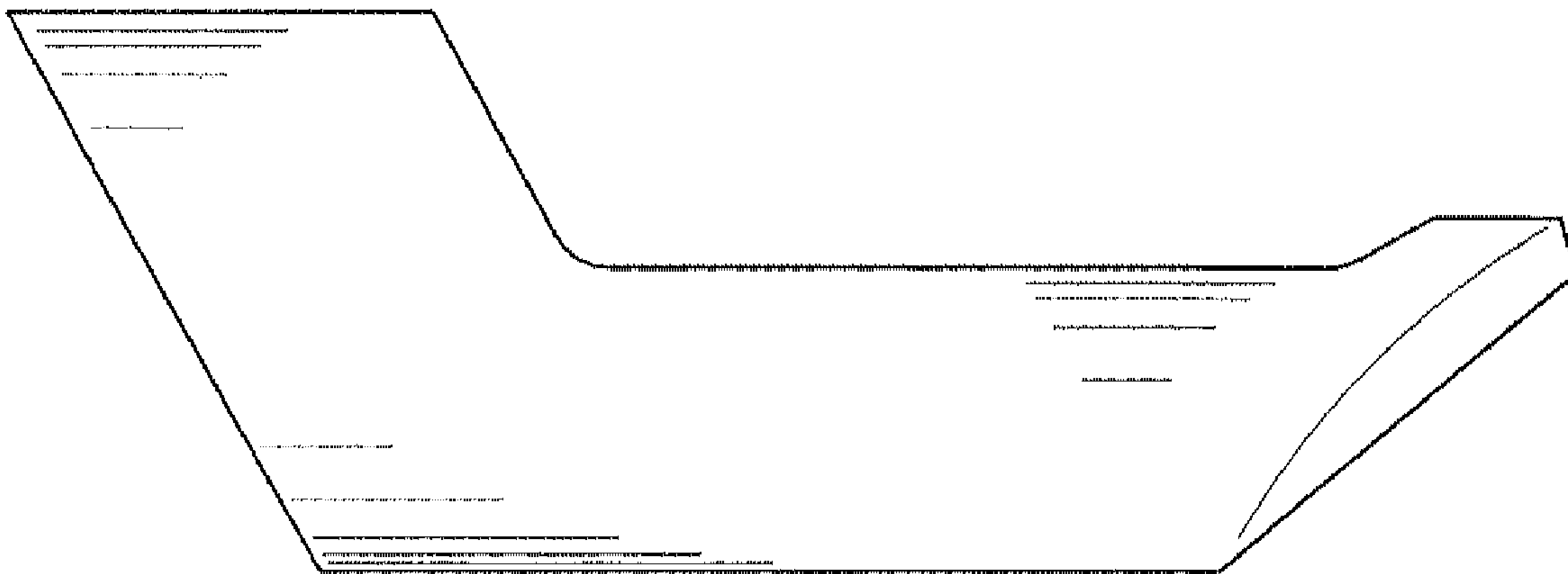
**Fig. 4**



**Fig. 5**



**Fig. 6**



**Fig. 7**