



US00D668382S

(12) **United States Design Patent**
Schieffelin et al.

(10) **Patent No.:** **US D668,382 S**
(45) **Date of Patent:** **** Oct. 2, 2012**

(54) **LUMINAIRE**

(75) Inventors: **Allison K. Schieffelin**, New Haven, CT (US); **David R. Pfund**, Woodbridge, CT (US); **Wooyeon Cho**, Stratford, CT (US); **Joseph Mancinelli**, Weston, CT (US)

(73) Assignee: **Sylvan R. Shemitz Designs Incorporated**, West Haven, CT (US)

(**) Term: **14 Years**

(21) Appl. No.: **29/409,926**

(22) Filed: **Dec. 30, 2011**

(51) **LOC (9) Cl.** **26-99**

(52) **U.S. Cl.** **D26/142**

(58) **Field of Classification Search** D26/113,
D26/71, 74, 75, 76, 118, 119, 120, 121, 122,
D26/128, 64, 65, 72, 24, 138, 61, 62, 63,
D26/139, 141, 142, 144, 145, 154, 155, 28,
D26/25, 26, 2, 143, 68, 153, 152, 140; 362/264,
362/249.01-249.11, 294, 652, 373, 640;
D13/179, 180, 162, 110; D25/124, 119,
D25/125, 126, 118; D23/207, 221, 266,
D23/263, 241, 255

See application file for complete search history.

(56) **References Cited**

U.S. PATENT DOCUMENTS

D145,323 S *	7/1946	Nitardy	D26/78
D160,417 S *	10/1950	Nitardy	D26/77
D284,107 S *	6/1986	Diffrient	D26/63
D311,596 S *	10/1990	Herst et al.	D26/85
D356,392 S *	3/1995	Chen	D26/142
D360,047 S *	7/1995	Zimmerman et al.	D26/67
D362,315 S *	9/1995	Herst et al.	D26/76
D404,161 S *	1/1999	Herst et al.	D26/76
D421,505 S *	3/2000	Hastings et al.	D26/76

D431,876 S *	10/2000	Lewis	D26/76
D464,161 S *	10/2002	Nourishad	D26/78
D467,672 S *	12/2002	Galli	D26/37
D493,565 S *	7/2004	Smith et al.	D26/118
D494,081 S *	8/2004	Boilen	D10/114.4
D503,821 S *	4/2005	Waldmann	D26/78
D528,649 S *	9/2006	Wilson	D23/411
D537,186 S *	2/2007	Weddell	D26/80
D545,477 S *	6/2007	DeBruyne et al.	D26/76
D548,373 S *	8/2007	Handsaker	D26/24
D551,792 S *	9/2007	Philpot et al.	D26/76
D567,425 S *	4/2008	Yates	D26/76
D574,550 S *	8/2008	Salman	D26/113
D578,697 S *	10/2008	Zheng et al.	D26/71

(Continued)

Primary Examiner — Kevin Rudzinski

(74) *Attorney, Agent, or Firm* — Cantor Colburn LLP

(57) **CLAIM**

We claim, the ornamental design for a luminaire, as shown and described.

DESCRIPTION

FIG. 1 is a top perspective view of a luminaire, showing our new design;

FIG. 2 is a bottom perspective view of the luminaire shown in FIG. 1;

FIG. 3 is a top plan view of the luminaire shown in FIG. 1;

FIG. 4 is a bottom plan view of the luminaire shown in FIG. 1;

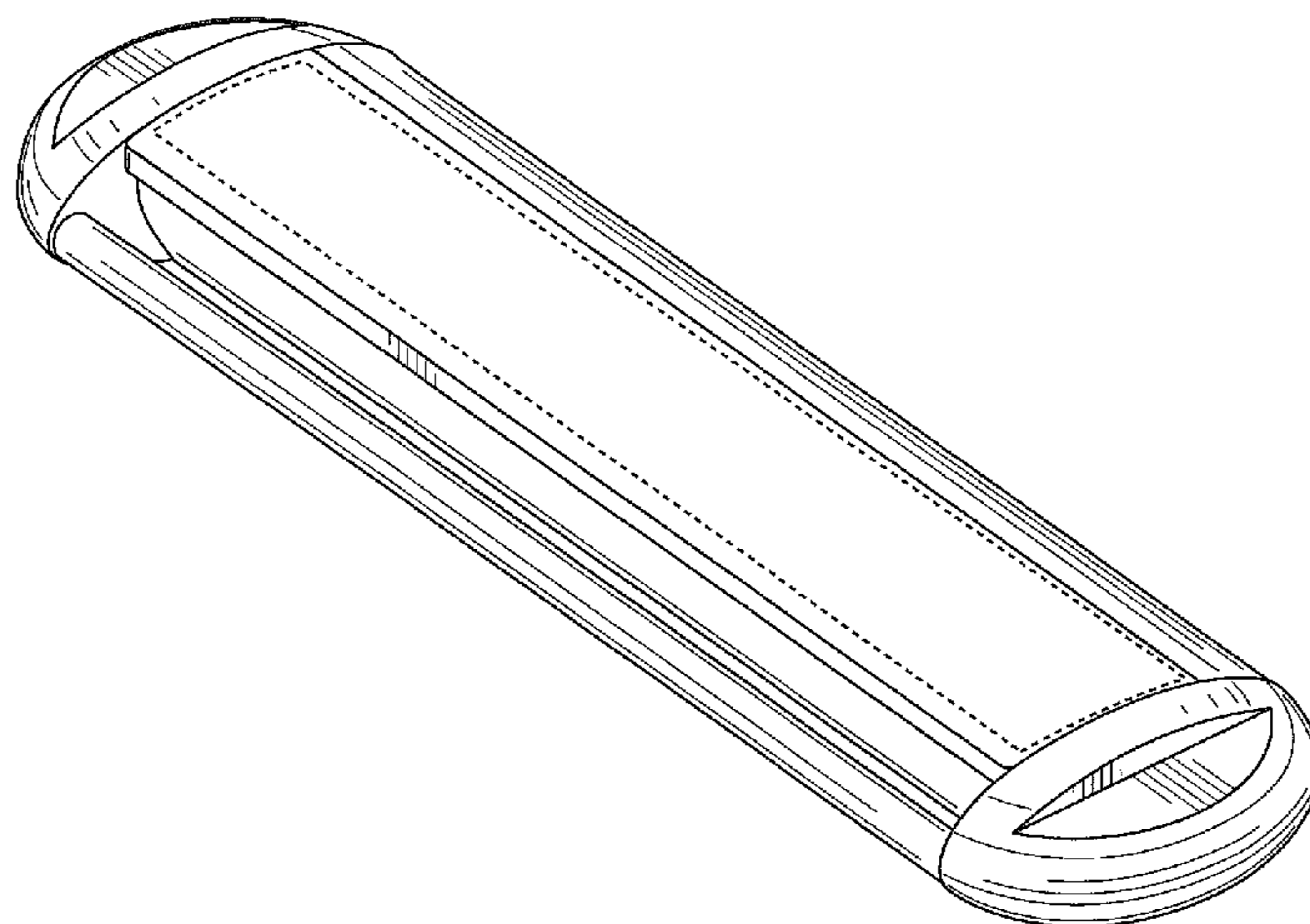
FIG. 5 is a side elevation view of the luminaire shown in FIG. 1;

FIG. 6 is another side elevation view of the luminaire shown in FIG. 1; and,

FIG. 7 is a front elevation view of the luminaire shown in FIG. 1, a back view being a mirror image thereof.

The broken-line disclosure in the views is understood to form part of the environment in which the claimed design is embodied, but forms no part of the claimed design.

1 Claim, 6 Drawing Sheets



US D668,382 S

Page 2

U.S. PATENT DOCUMENTS

D584,844 S *	1/2009	Ghini	D26/76	D626,269 S *	10/2010	Schieffelin et al.	D26/77
D589,638 S *	3/2009	Collins	D26/72	D632,001 S *	2/2011	Kong et al.	D26/71
D596,343 S *	7/2009	Boissevain	D26/120	D636,516 S *	4/2011	Ruud et al.	D26/63
D596,345 S *	7/2009	Boissevain	D26/120	D639,465 S *	6/2011	Abernethy et al.	D26/24
D609,391 S *	2/2010	Schieffelin et al.	D26/93	D649,673 S *	11/2011	Liang et al.	D26/72
D612,972 S *	3/2010	Levine	D26/63	D658,798 S *	5/2012	Hillard	D26/51

* cited by examiner

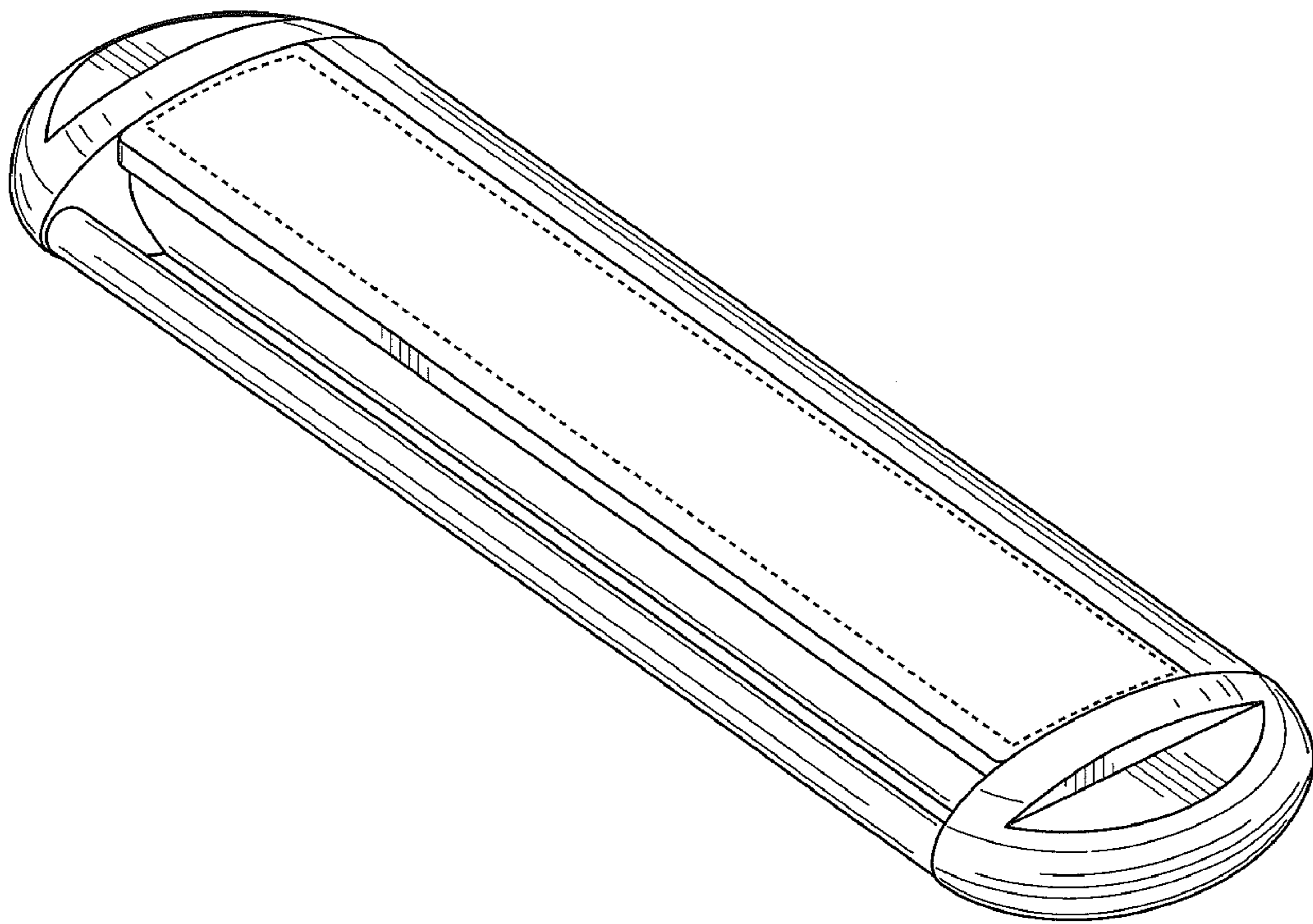


FIG. 1

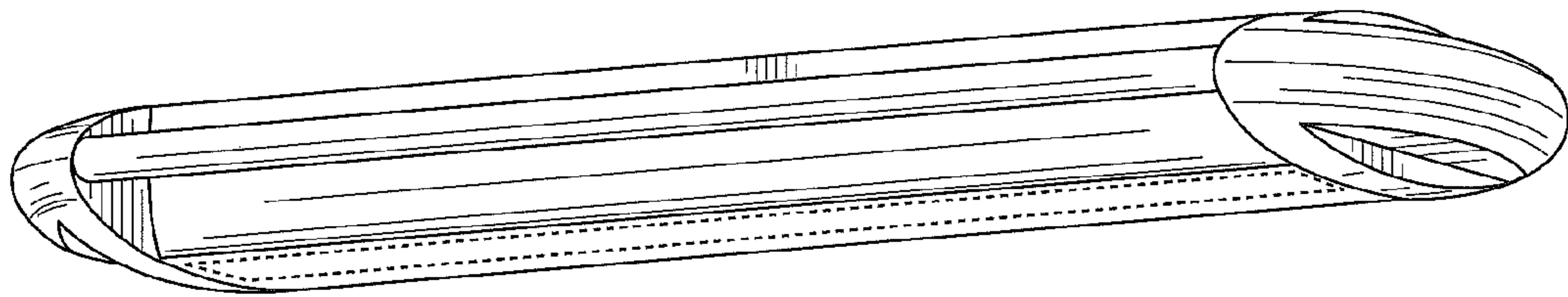


FIG. 2

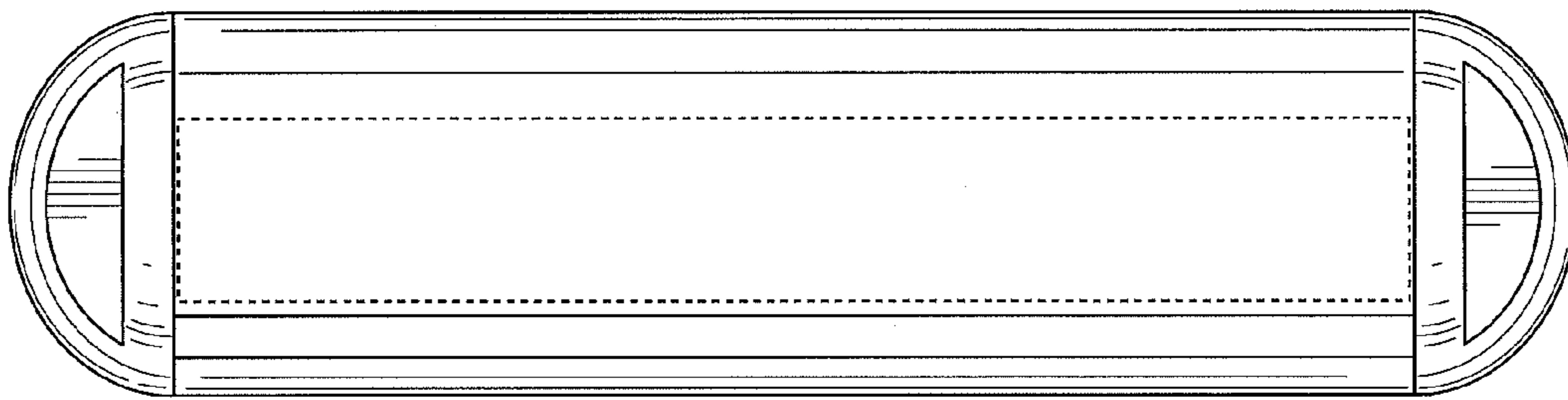


FIG. 3

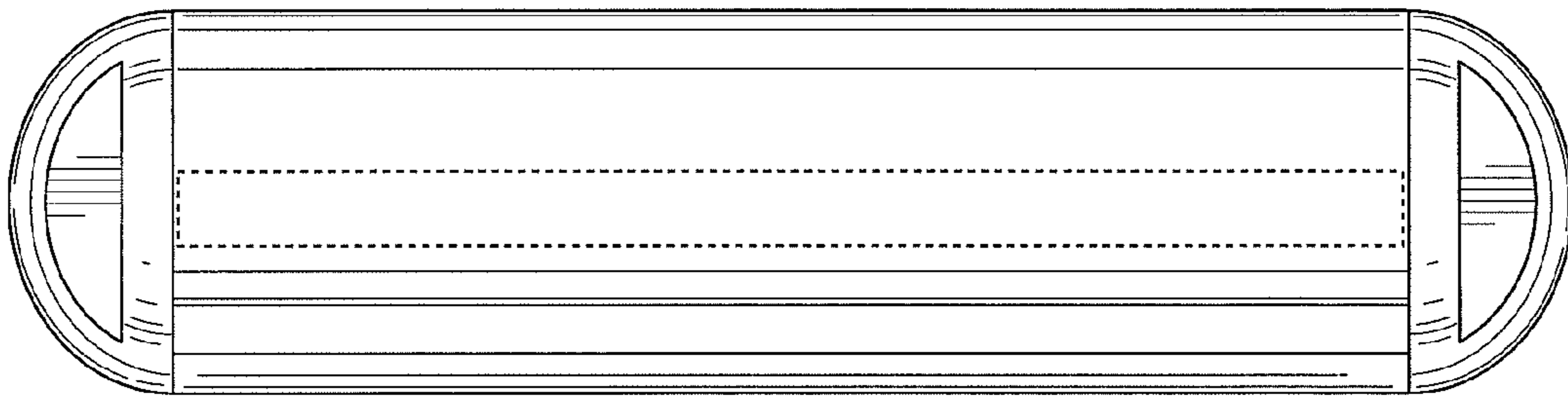


FIG. 4



FIG. 5

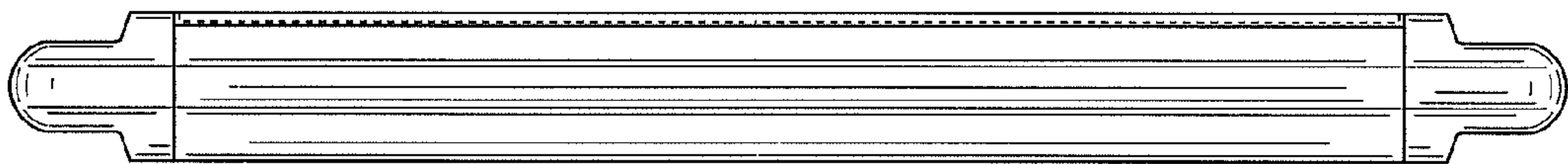


FIG. 6

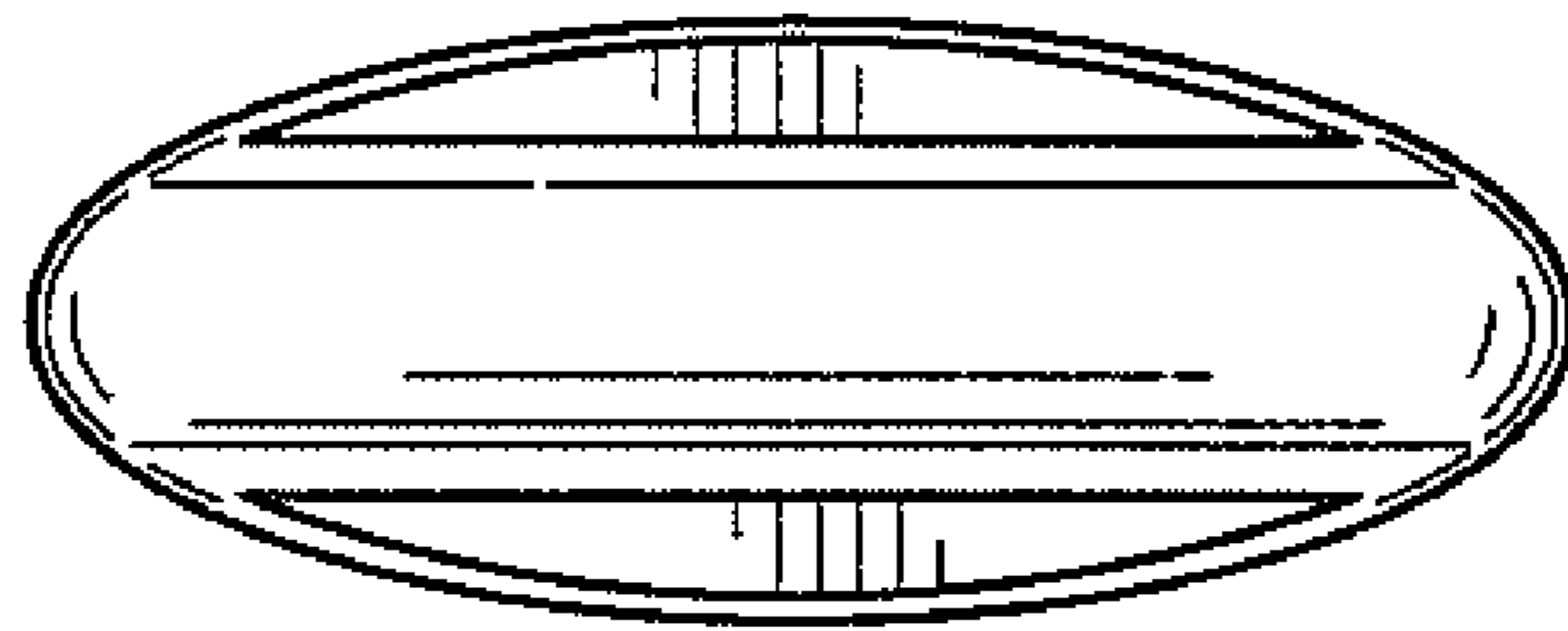


FIG. 7