



US00D668381S

(12) **United States Design Patent**  
**Hamilton et al.**

(10) **Patent No.:** **US D668,381 S**

(45) **Date of Patent:** **\*\* Oct. 2, 2012**

(54) **VEHICLE FOGLIGHT BEZEL**

(75) Inventors: **Christopher Hamilton**, Bloomfield Hills, MI (US); **James E. Grake**, Beverly Hills, MI (US); **Christopher G. Walter**, Walled Lake, MI (US); **Moray Callum**, Ann Arbor, MI (US)

(73) Assignee: **Ford Motor Company**, Dearborn, MI (US)

(\*\*) Term: **14 Years**

(21) Appl. No.: **29/405,444**

(22) Filed: **Nov. 2, 2011**

(51) **LOC (9) Cl.** ..... **26-99**

(52) **U.S. Cl.** ..... **D26/139**

(58) **Field of Classification Search** ..... D26/28-36,  
D26/139; 362/61, 80-83, 329-340  
See application file for complete search history.

(56) **References Cited**

**U.S. PATENT DOCUMENTS**

D485,934 S *	1/2004	Tsai	.....	D26/139
D499,202 S *	11/2004	Tsai	.....	D26/139
D509,923 S *	9/2005	Arthur et al.	.....	D26/139
D513,644 S *	1/2006	Ruzicka et al.	.....	D26/139
D544,641 S *	6/2007	Elwell et al.	.....	D26/139
D576,765 S *	9/2008	Song et al.	.....	D26/139

D608,497 S	1/2010	Walter	
D608,498 S *	1/2010	Beigel et al.	..... D26/139
D611,189 S *	3/2010	Elliott et al.	..... D26/139

**OTHER PUBLICATIONS**

Aston Martin Brochure.  
Car Advice, Oct. 5, 2011, 2013 Ford Mondeo Mule Spy Photot.  
Ford EVOS Concept Brochure.

\* cited by examiner

*Primary Examiner* — Marcus Jackson

(74) *Attorney, Agent, or Firm* — Damian Porcari

(57) **CLAIM**

The ornamental design for a vehicle foglight bezel, as shown and described.

**DESCRIPTION**

FIG. 1 is a left side elevational view of a left vehicle foglight bezel (the right vehicle foglight bezel being a mirror image and is not shown);

FIG. 2 is a right side elevational view of the vehicle foglight bezel;

FIG. 3 is a front elevational view of the vehicle foglight bezel;

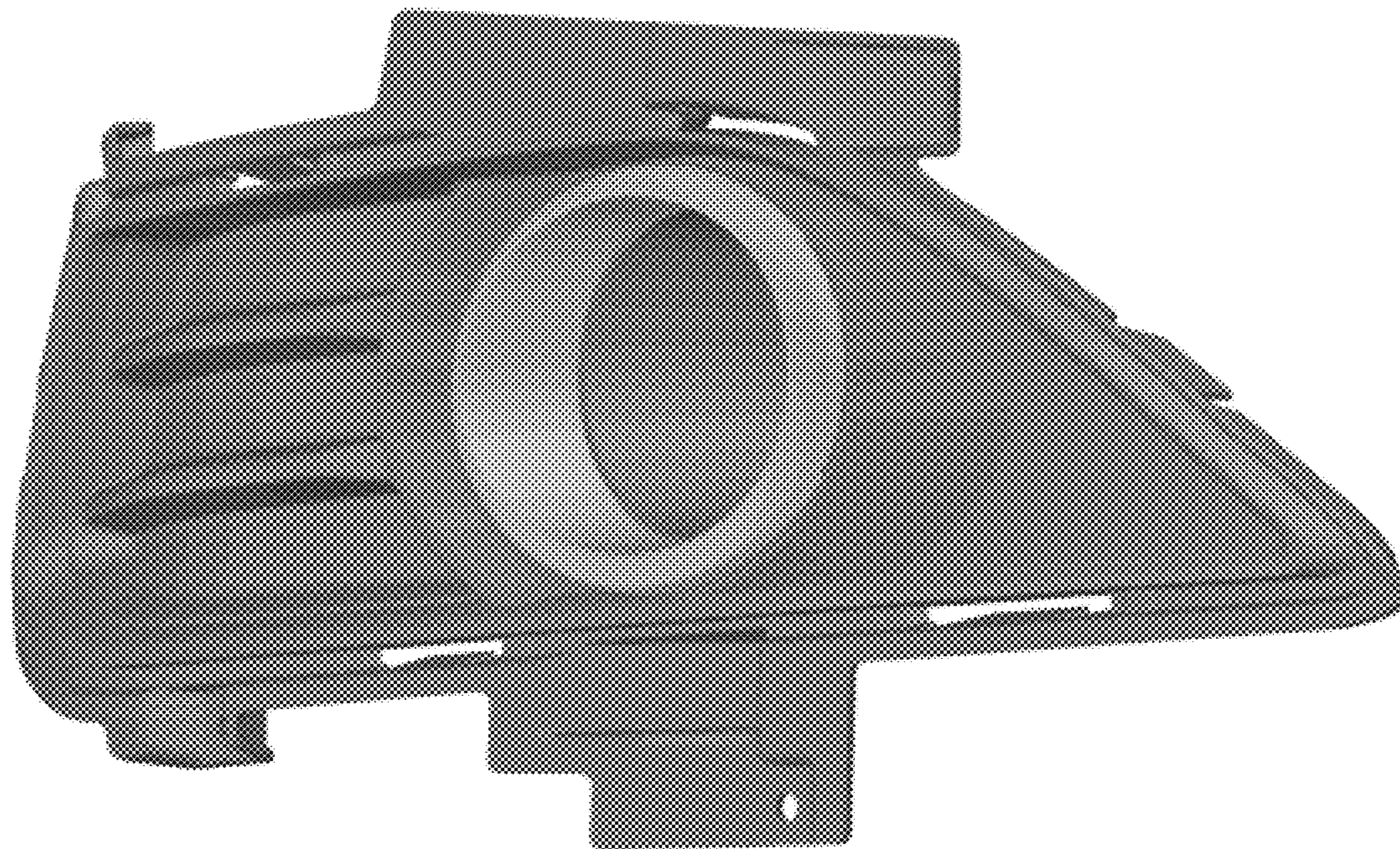
FIG. 4 is a top plan view of the vehicle foglight bezel;

FIG. 5 is a bottom plan view of the vehicle foglight bezel;

FIG. 6 is a perspective view of the vehicle foglight bezel; and,

FIG. 7 is another perspective view of the vehicle foglight bezel.

**1 Claim, 7 Drawing Sheets**



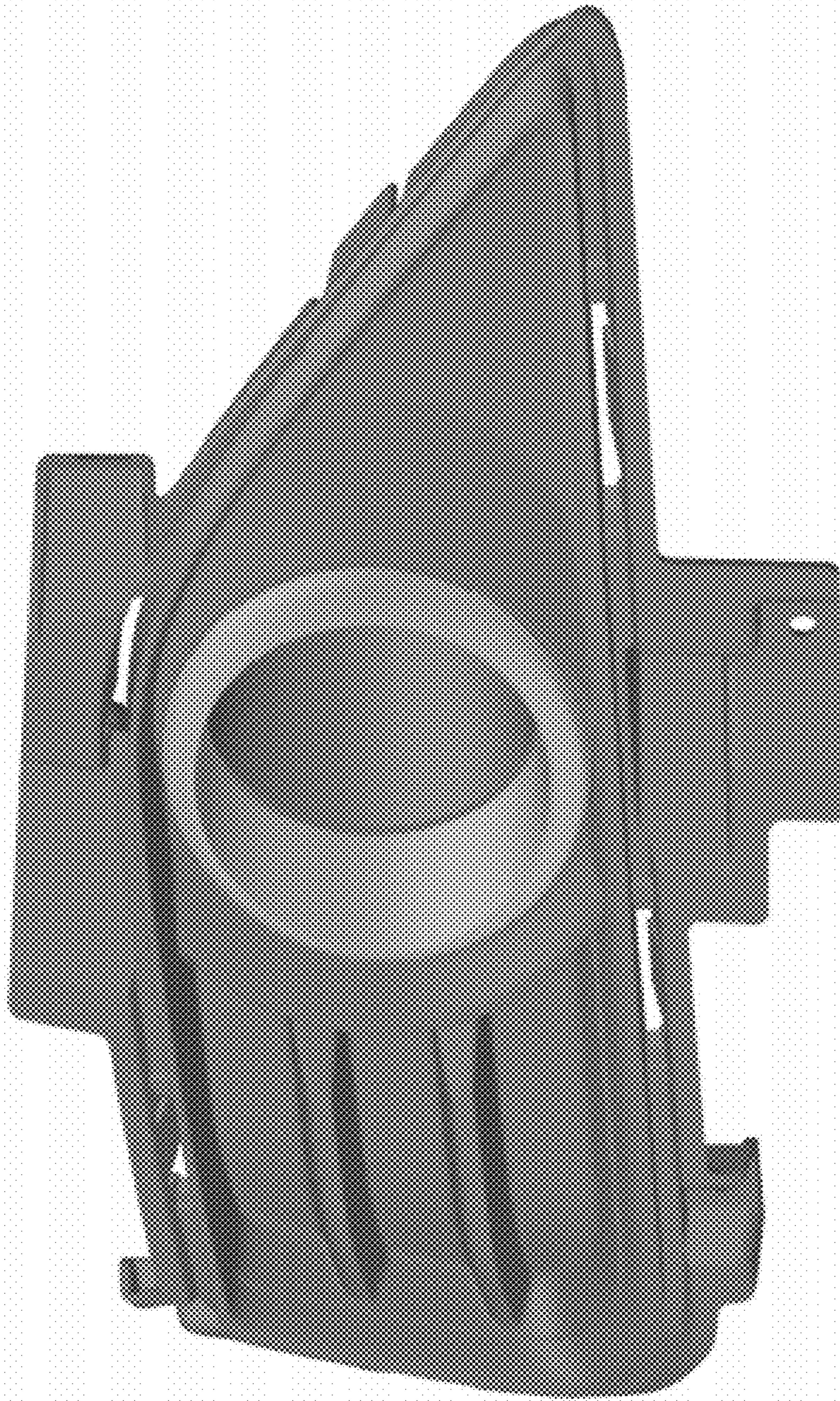


Figure 1

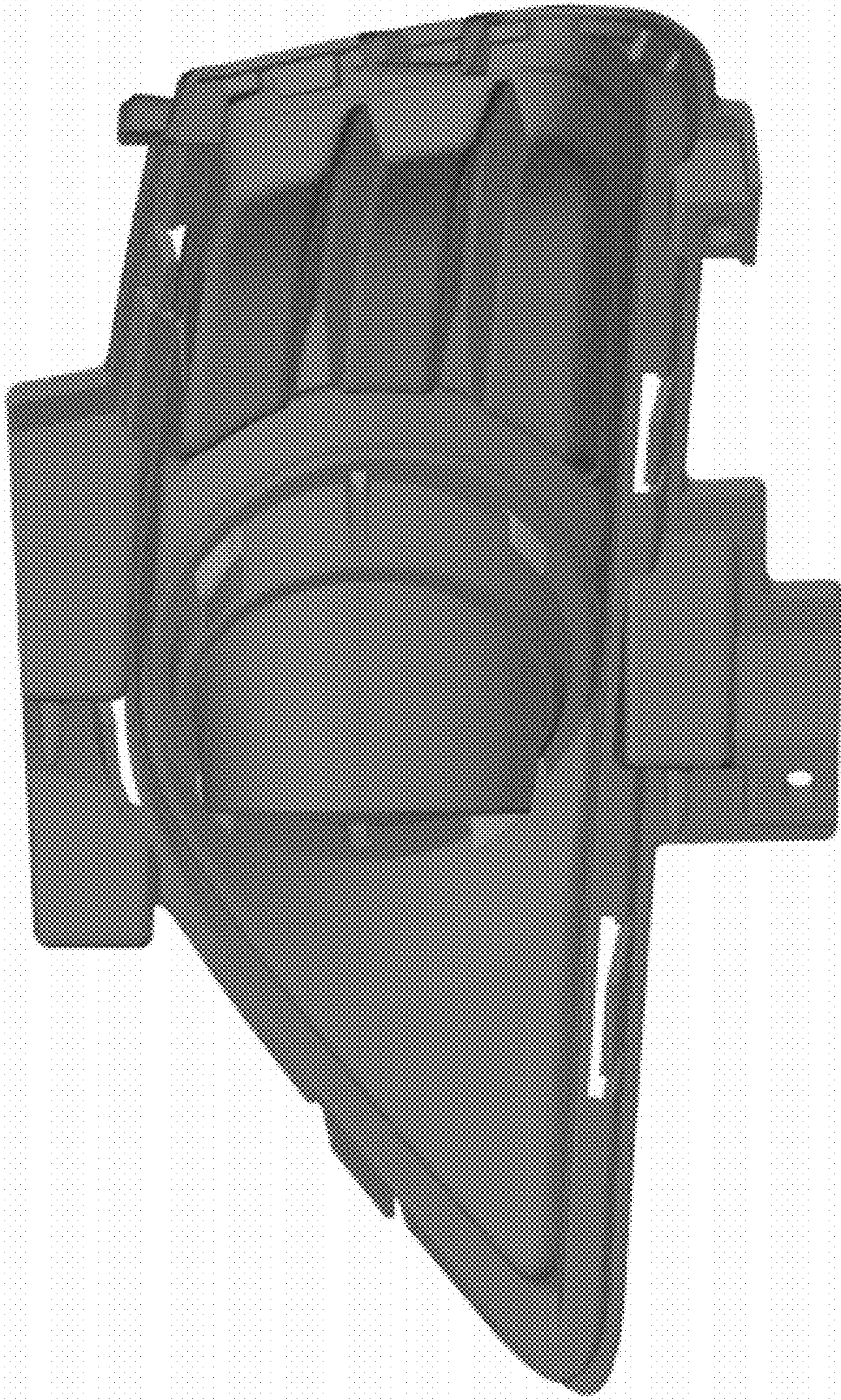


Figure 2

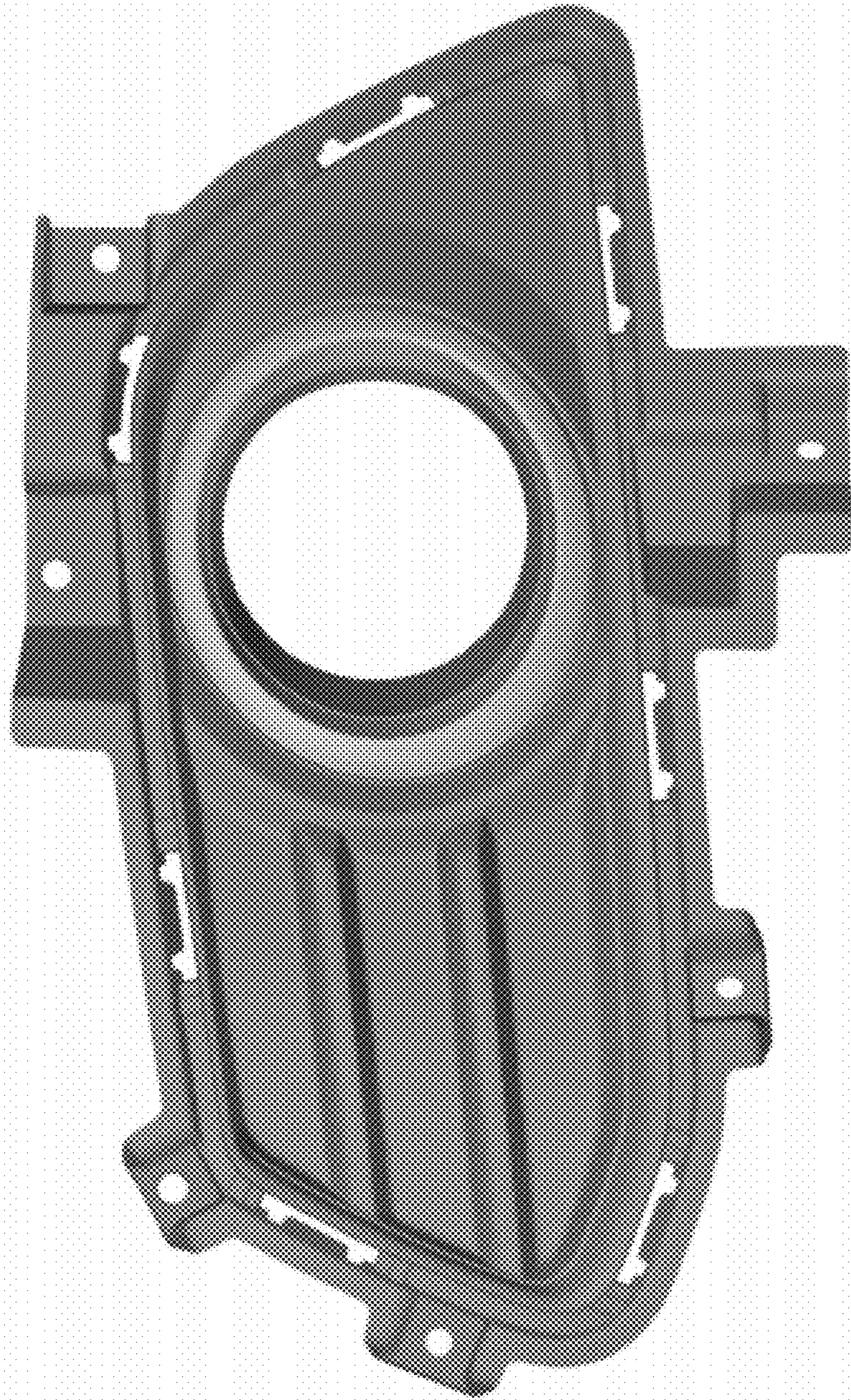


Figure 3

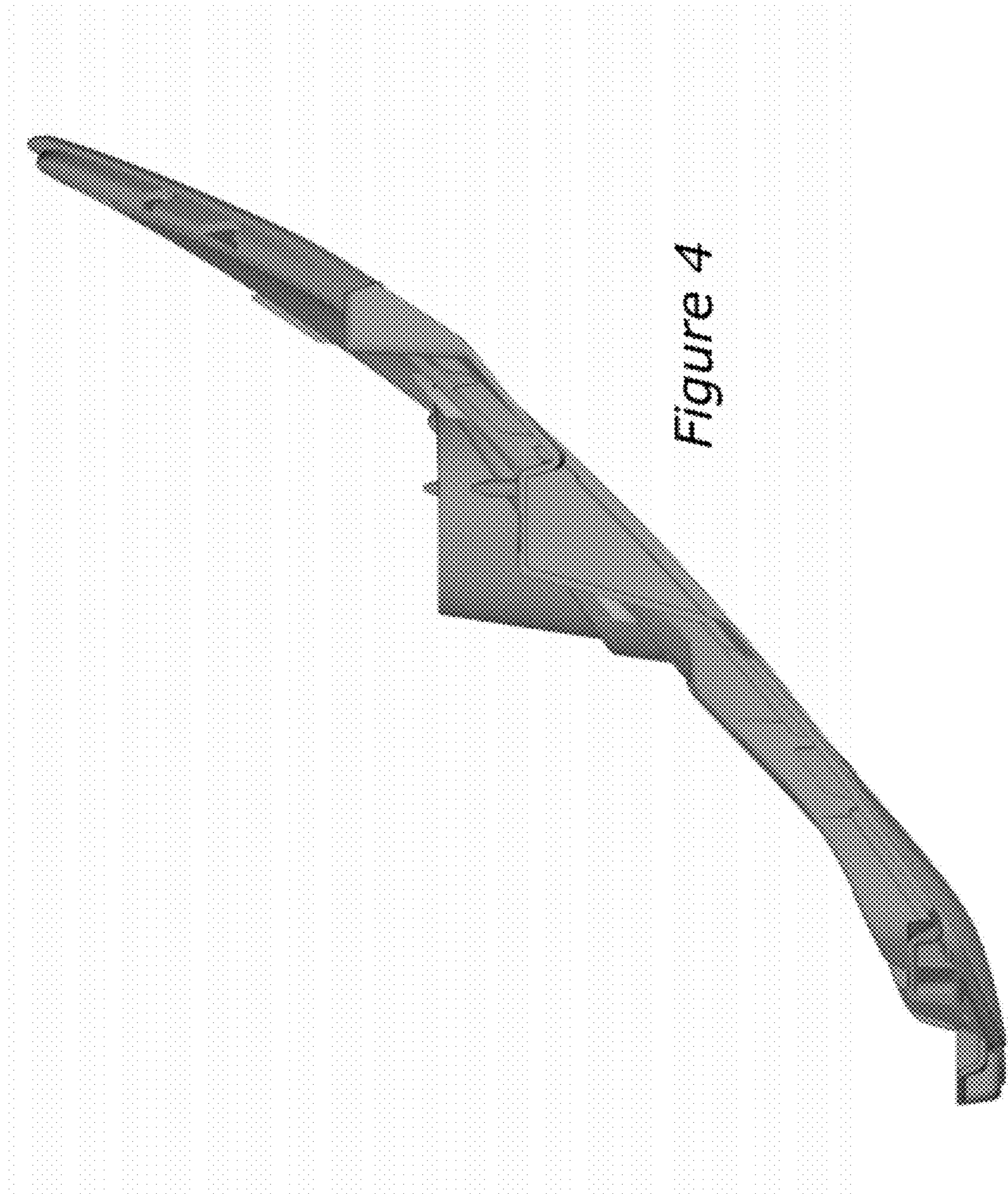


Figure 4

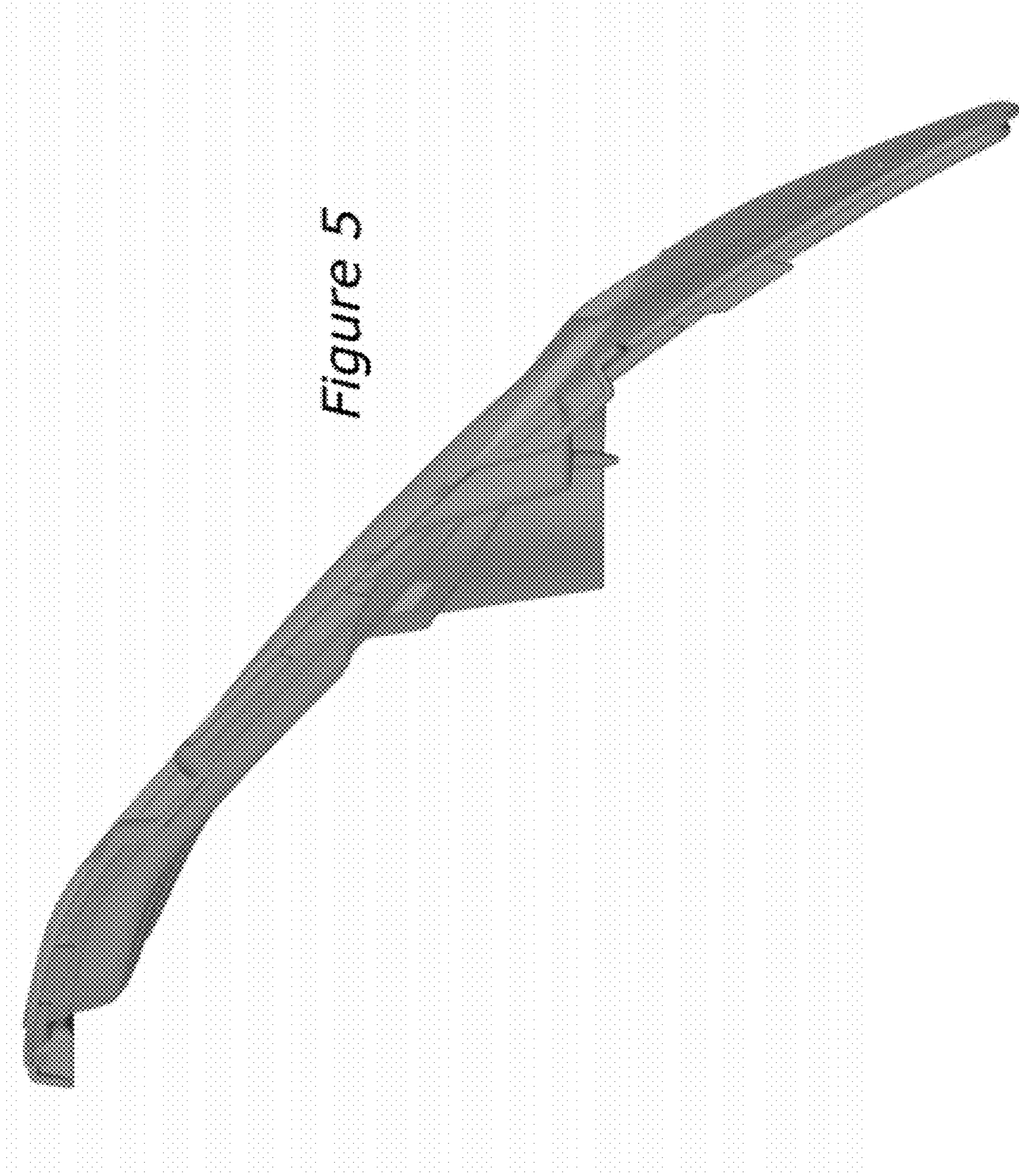


Figure 5

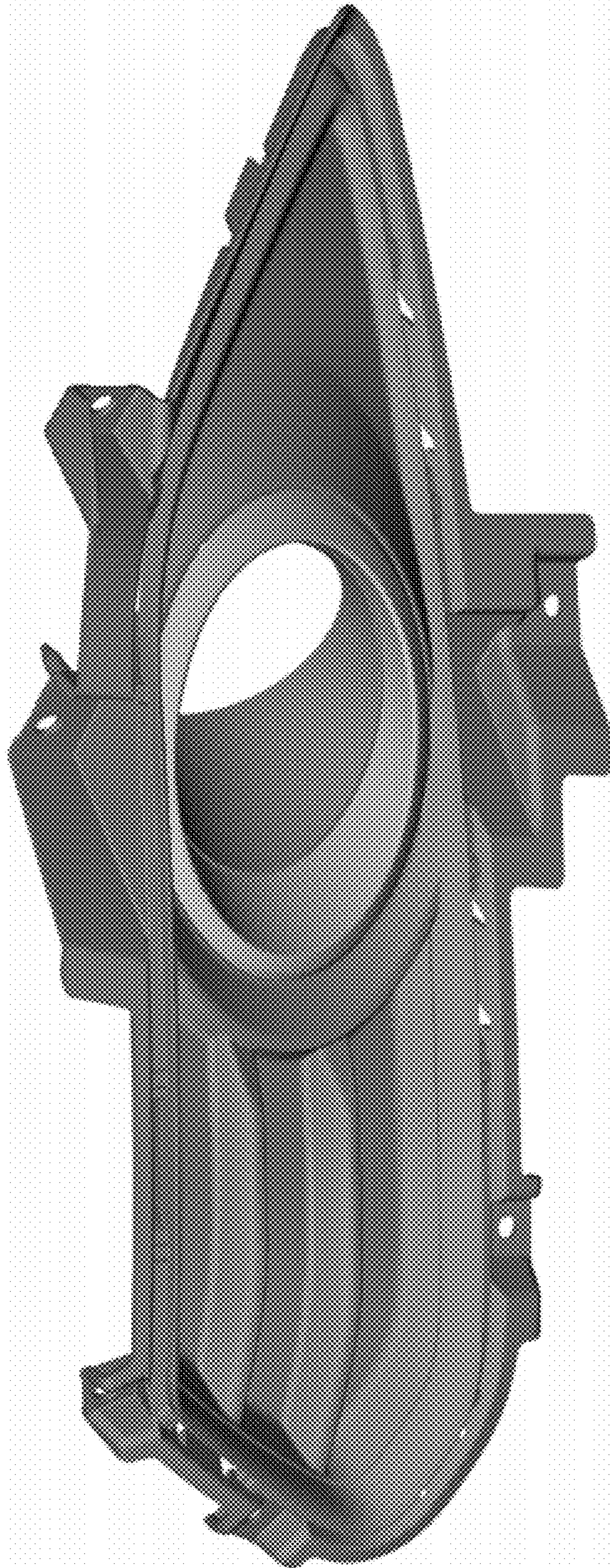


Figure 6

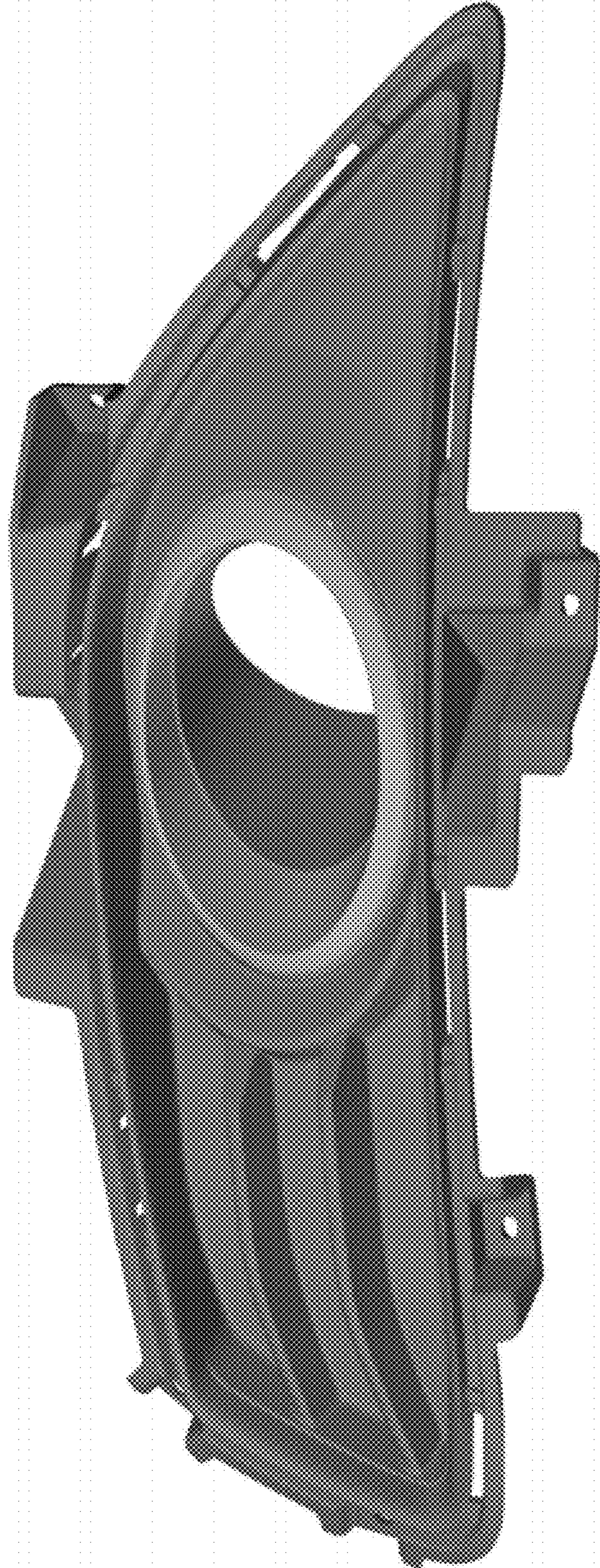


Figure 7