



US00D668379S

(12) **United States Design Patent**  
**Storey**

(10) **Patent No.:** **US D668,379 S**

(45) **Date of Patent:** **\*\* Oct. 2, 2012**

(54) **SOLAR LAMP WALL BRACKET**

(76) Inventor: **Charles D. Storey**, Jonesboro, GA (US)

(\*\*) Term: **14 Years**

(21) Appl. No.: **29/387,749**

(22) Filed: **Mar. 17, 2011**

(51) **LOC (9) Cl.** ..... **26-99**

(52) **U.S. Cl.** ..... **D26/138**

(58) **Field of Classification Search** ..... D26/155,  
D26/60, 152, 154, 74, 75, 76, 77, 78, 113,  
D26/118, 119, 120, 121, 128, 138, 125, 124,  
D26/126, 127, 85, 86, 88, 89, 90, 91, 65,  
D26/64, 67, 68, 1, 2, 24, 141, 142, 145, 144,  
D26/92, 93, 62, 63, 51, 56, 55, 58, 104, 139,  
D26/140, 3; 362/101, 225, 634, 246, 326,  
362/249.01-249.11, 220, 221, 224, 222,  
362/223, 275, 276, 277, 271, 162, 450, 236;  
211/10; 439/94, 95, 115, 110; D8/380, 396,  
D8/394, 72, 354, 349, 373; D6/310, 314,  
D6/470; D23/411; D11/90, 89, 132; D19/96,  
D19/90, 77, 78, 75; D13/179, 180, 155  
See application file for complete search history.

(56) **References Cited**

**U.S. PATENT DOCUMENTS**

1,486,509	A *	3/1924	Whittaker	.....	52/215
1,540,291	A *	6/1925	Sessions	.....	248/113
2,131,956	A *	10/1938	Jones	.....	248/113
3,076,627	A *	2/1963	Huron	.....	248/309.1
3,599,918	A *	8/1971	Patchett	.....	248/85
3,841,196	A *	10/1974	Tinnerman	.....	411/523
3,879,801	A *	4/1975	Rashid et al.	.....	16/249
4,070,728	A *	1/1978	Herman	.....	16/243
4,447,030	A *	5/1984	Nattel	.....	248/27.1
D274,803	S *	7/1984	Hughes	.....	D12/126
D288,009	S	1/1987	Pfister		
4,795,121	A *	1/1989	Comito	.....	248/314
4,851,977	A *	7/1989	Gary	.....	362/249.01
4,949,929	A *	8/1990	Kesselman et al.	.....	248/300

D312,205	S *	11/1990	de Rooij	.....	D8/373
D322,211	S *	12/1991	Gary	.....	D8/373
D324,990	S *	3/1992	Gary	.....	D8/354
5,249,108	A *	9/1993	Gary	.....	362/388
5,275,366	A	1/1994	Simmons		
5,288,094	A *	2/1994	Putnam	.....	280/420
D358,679	S *	5/1995	Garrity	.....	D26/138
D365,658	S	12/1995	Burch		
D369,957	S *	5/1996	Blanton	.....	D8/373
5,564,815	A	10/1996	Littman et al.		
D403,440	S *	12/1998	Holmes et al.	.....	D26/9
D423,774	S *	5/2000	Peterson	.....	D3/229
D432,901	S *	10/2000	McDonald	.....	D8/354
6,283,771	B1 *	9/2001	Mitchell et al.	.....	439/95
6,398,174	B1 *	6/2002	Emalfarb	.....	248/214
6,564,790	B2 *	5/2003	Graham	.....	124/86
D503,231	S *	3/2005	Daugherty	.....	D24/128
D517,402	S *	3/2006	Cairns	.....	D8/381
7,018,063	B2	3/2006	Michael et al.		
D523,736	S *	6/2006	Lu	.....	D8/373
D543,834	S *	6/2007	Worthy	.....	D8/354

(Continued)

*Primary Examiner* — Kevin Rudzinski

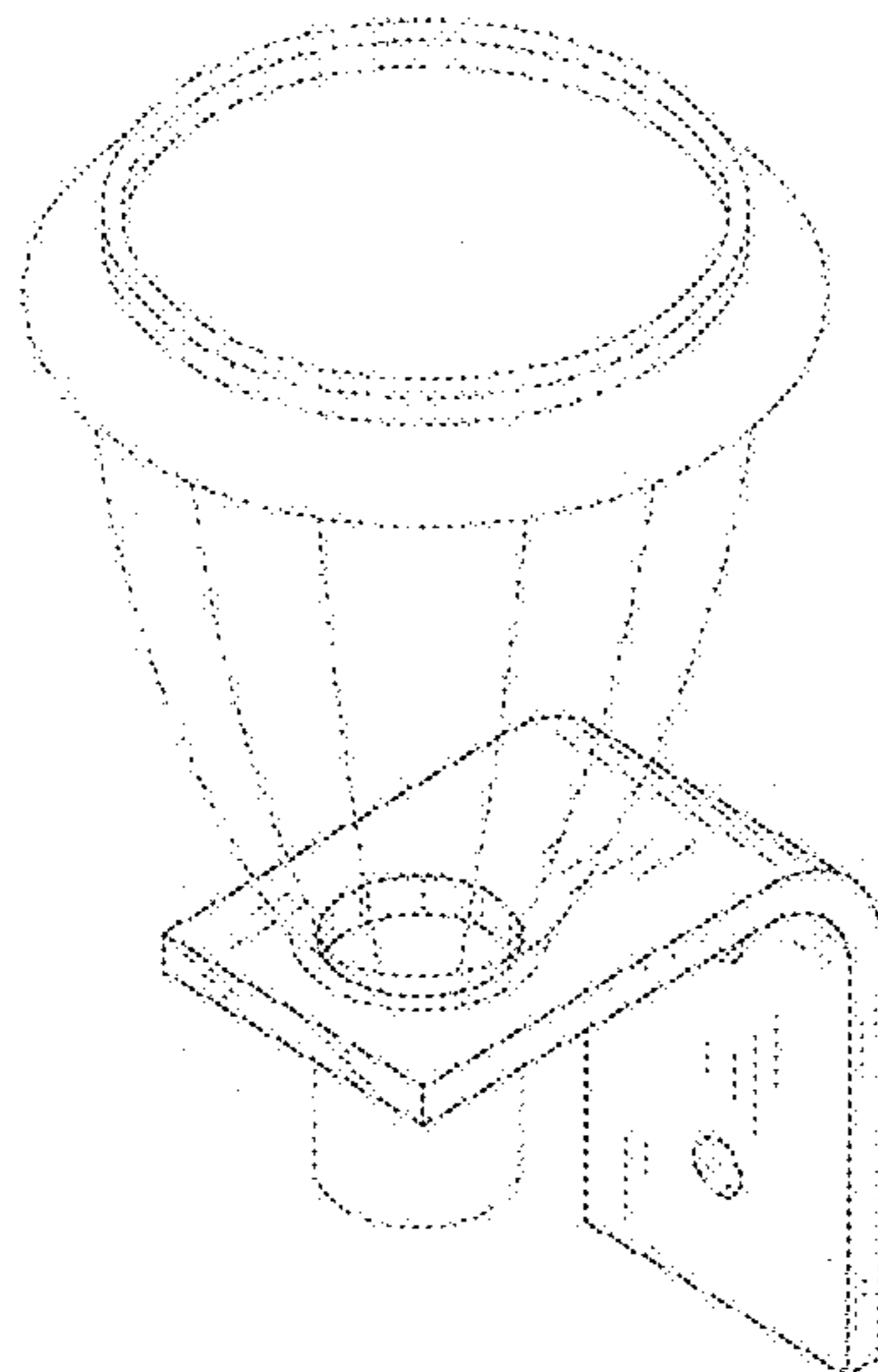
(57) **CLAIM**

The ornamental design for a solar lamp wall bracket, as shown and described.

**DESCRIPTION**

FIG. 1 is a perspective view of an in use solar lamp wall bracket showing my new design; FIG. 2 is a side view (opposite side view is mirror image) thereof; FIG. 3 is a front view thereof; FIG. 4 is a back view thereof; FIG. 5 is a top view thereof; and, FIG. 6 is a bottom view thereof. In FIG. 1, the broken lines showing of environmental structure for purposes of illustrating the solar lamp wall bracket in a condition of use. The broken lines and the structure they depict form no part of the claimed design.

**1 Claim, 3 Drawing Sheets**



# US D668,379 S

Page 2

---

## U.S. PATENT DOCUMENTS

D580,191	S	*	11/2008	Vieira et al. ....	D6/411
7,533,508	B1	*	5/2009	diGirolamo et al. ....	52/481.1
D598,272	S	*	8/2009	Tejszerski .....	D8/349
D621,692	S	*	8/2010	Clarke .....	D8/354
D636,927	S	*	4/2011	Lin .....	D26/138
D646,840	S	*	10/2011	Polka et al. ....	D26/138
2005/0017142	A1	*	1/2005	Ogden .....	248/247
2007/0040083	A1		2/2007	McAloon	
2008/0283702	A1	*	11/2008	Ikerd .....	248/228.1
2010/0059642	A1		3/2010	McLeod	

\* cited by examiner

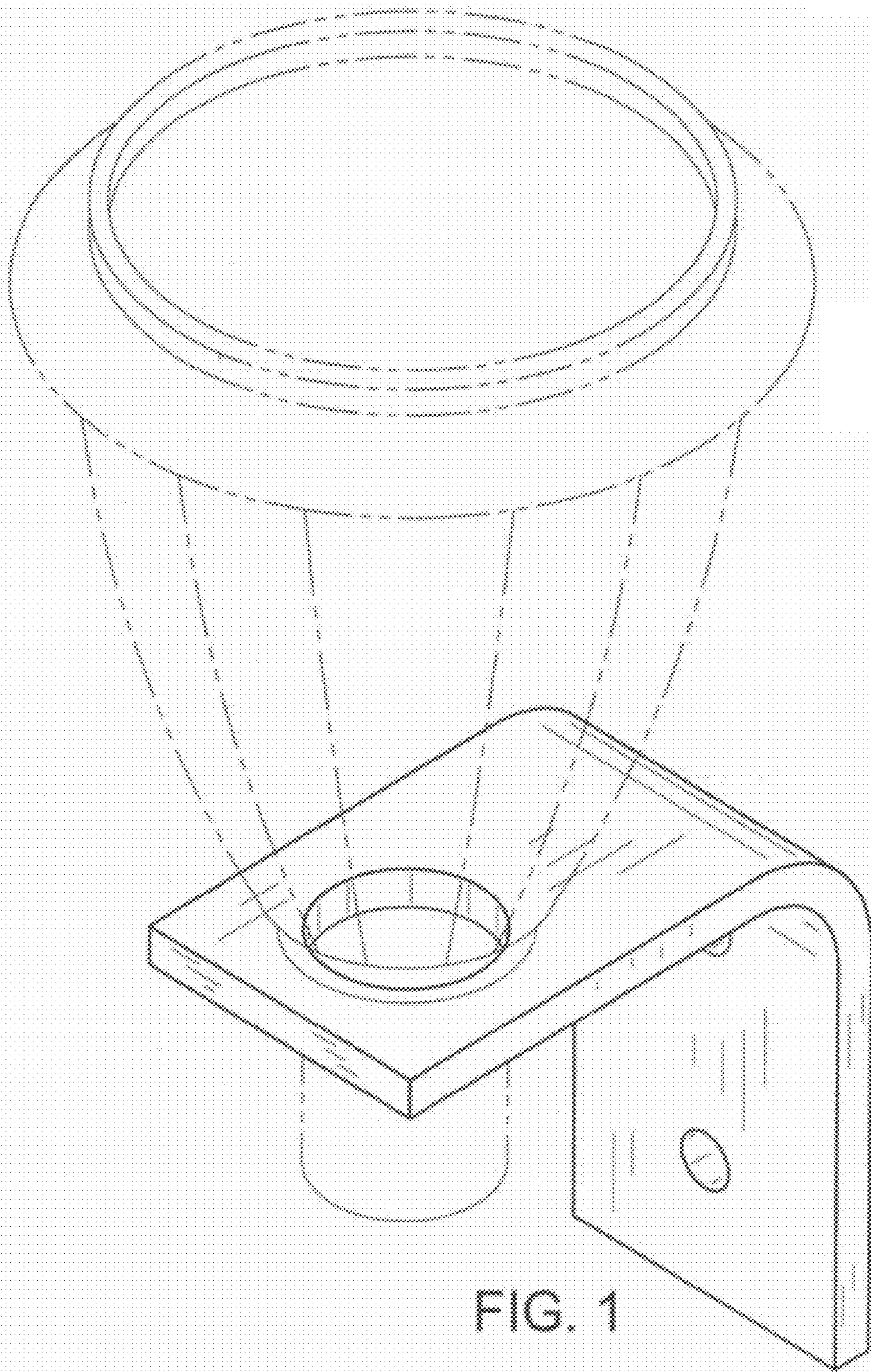


FIG. 1

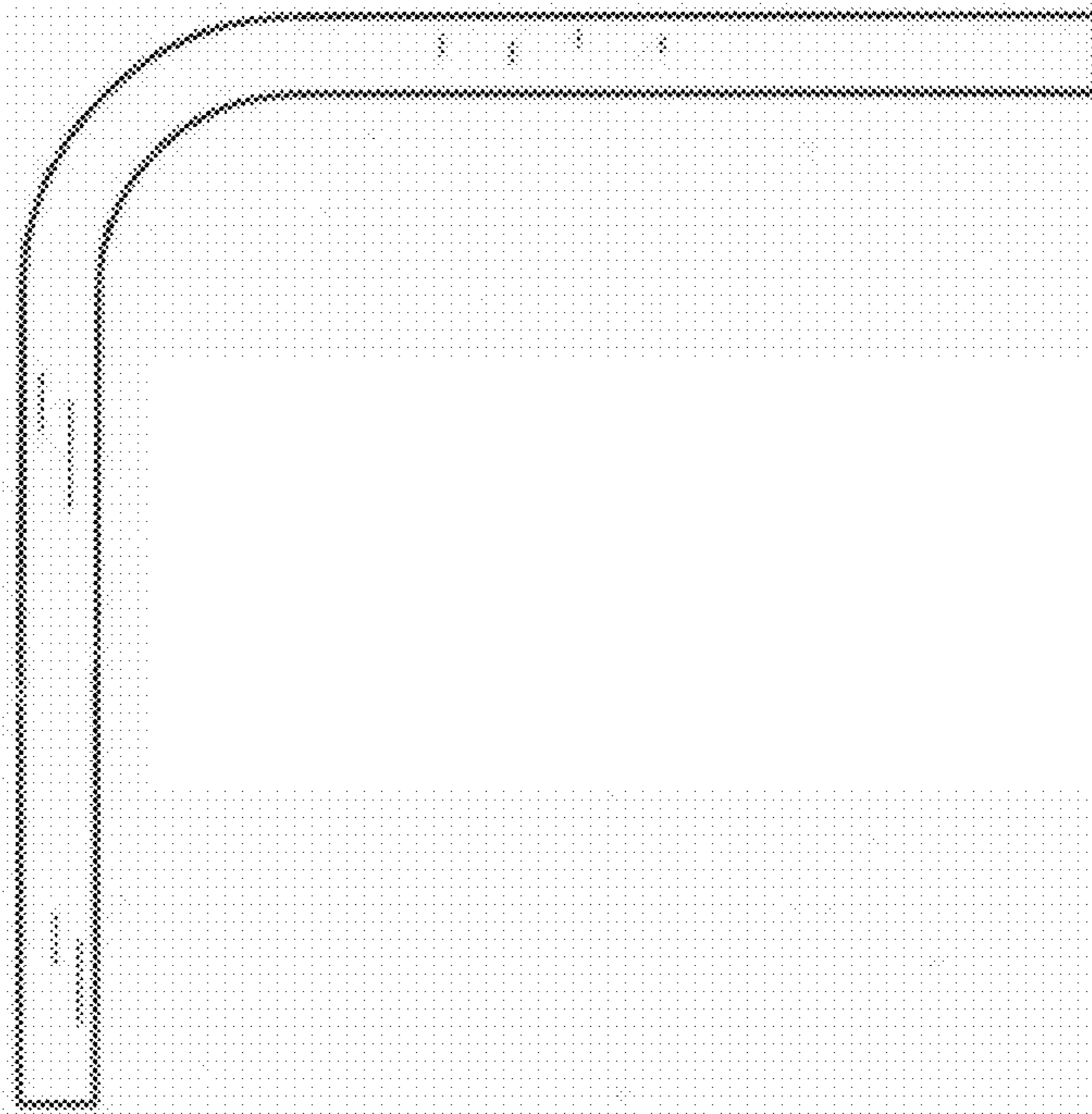


FIG. 2

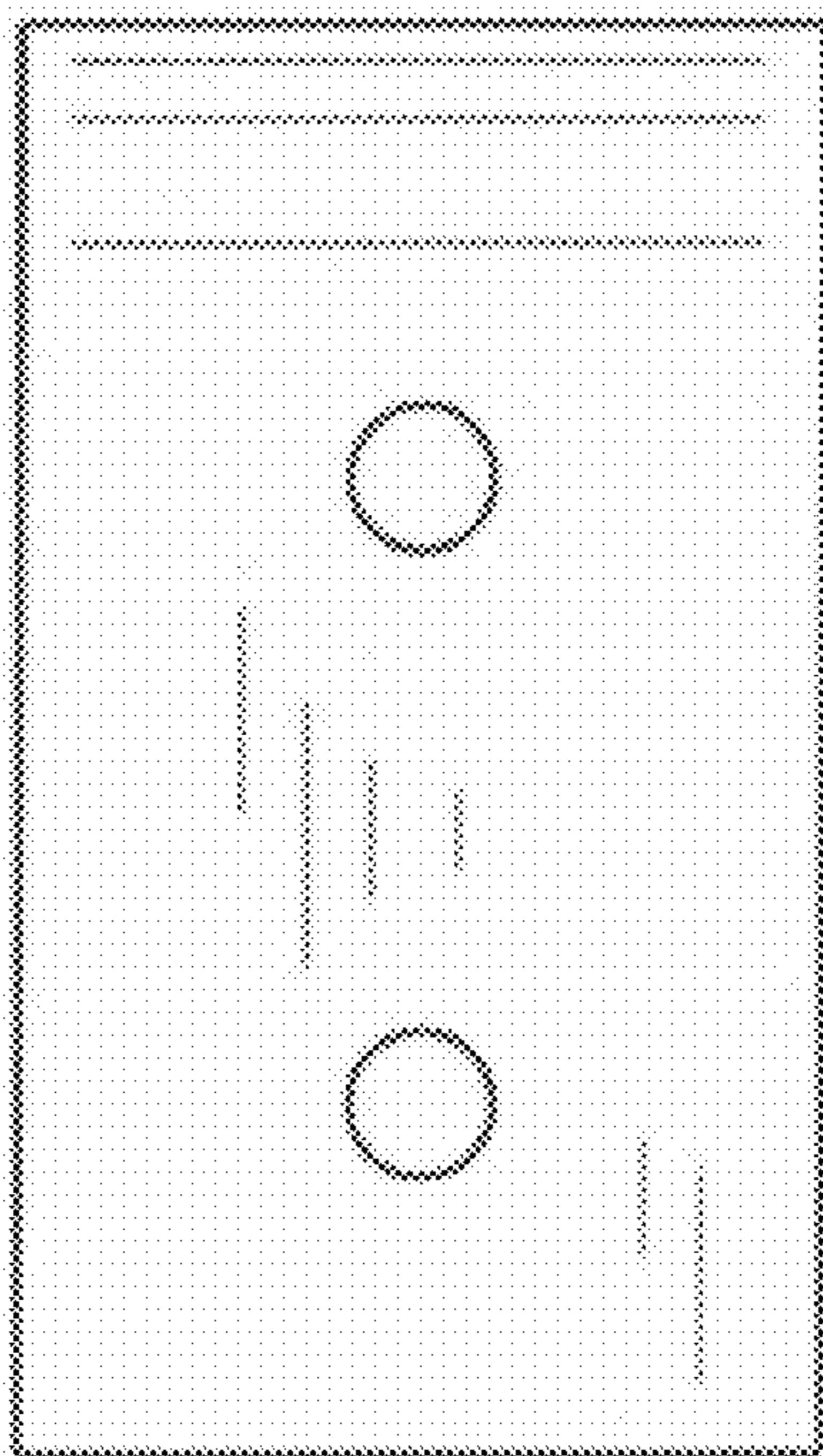


FIG. 3

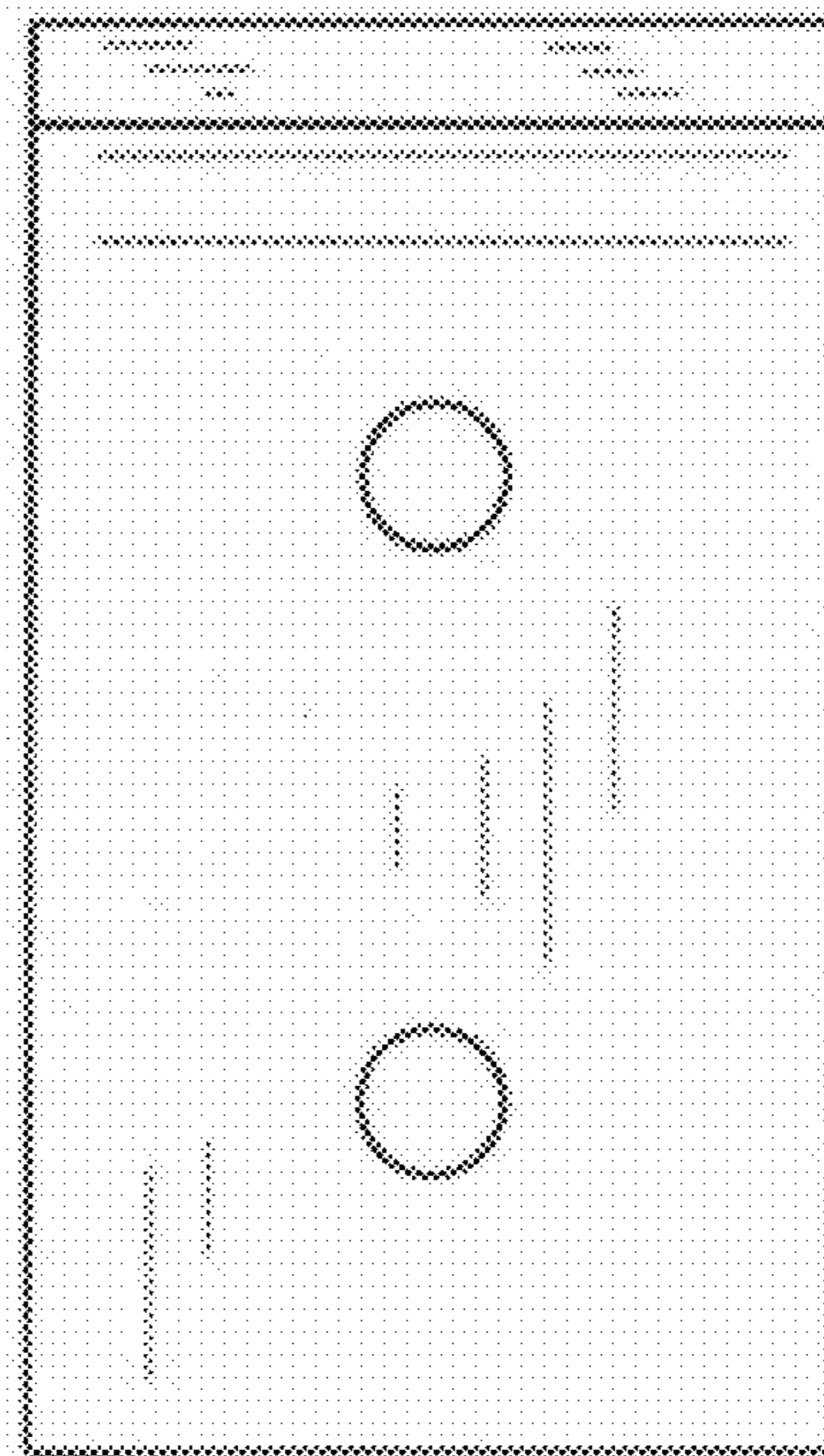


FIG. 4

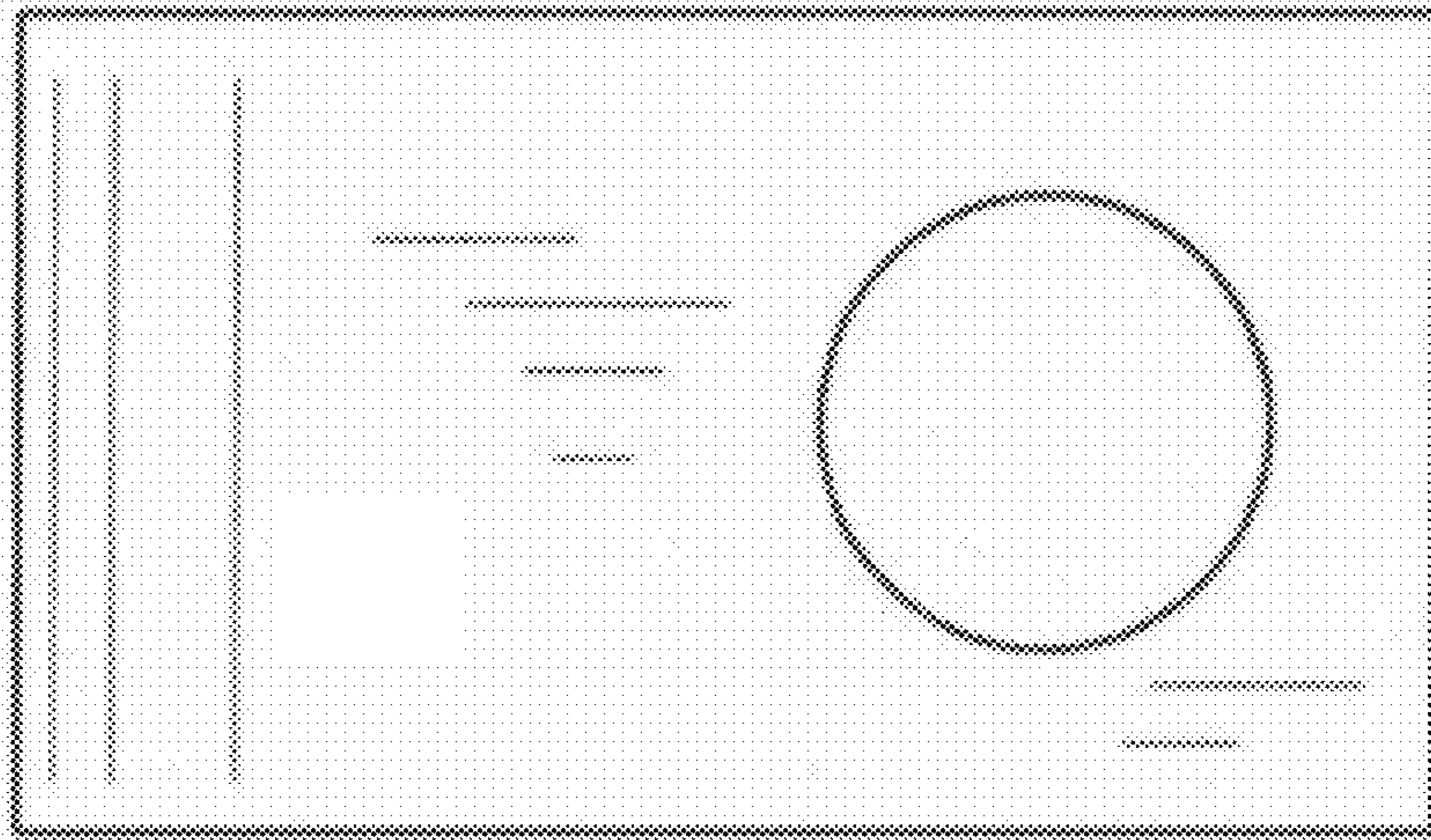


FIG. 5

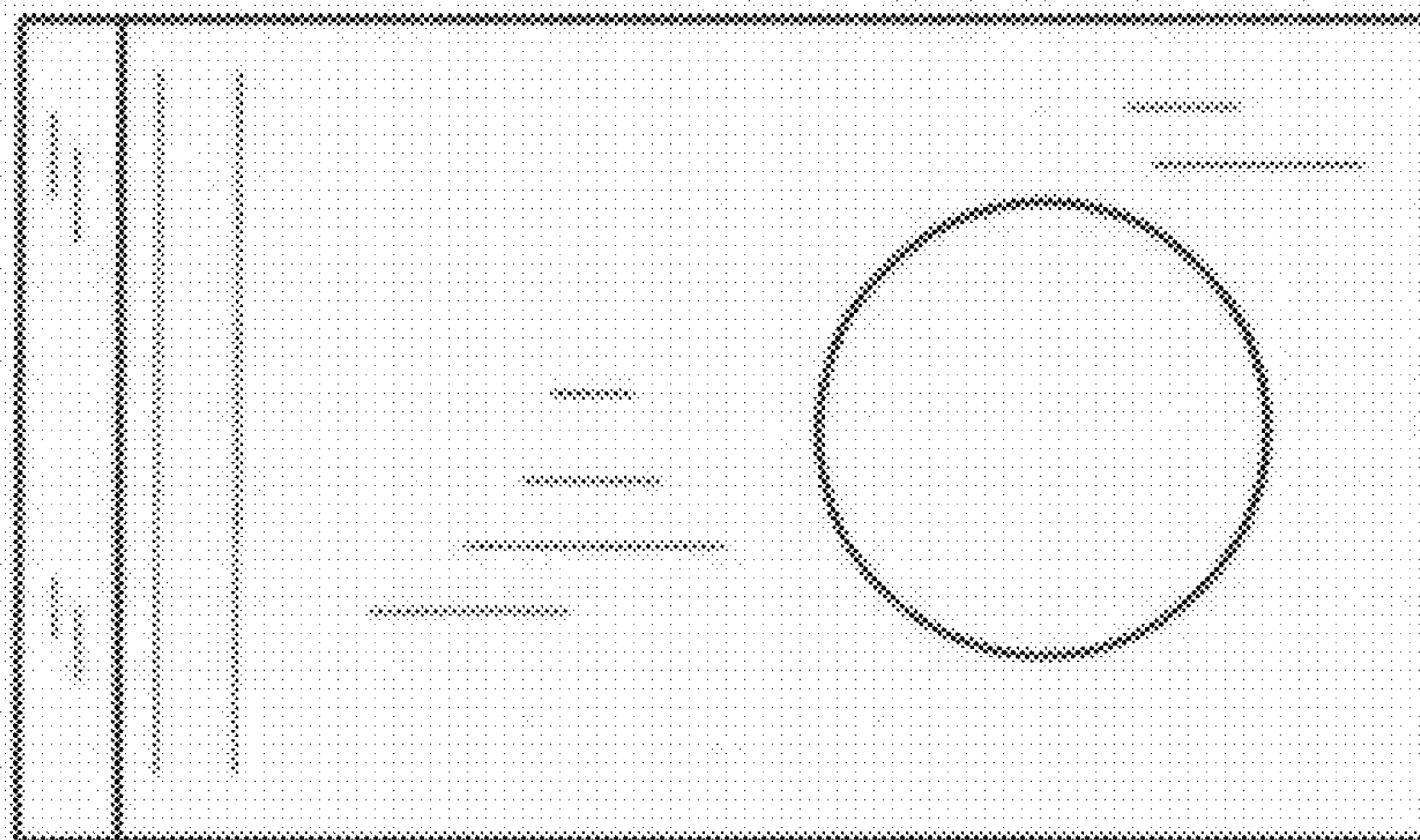


FIG. 6