

US00D668374S

(12) **United States Design Patent**
Wauters

(10) **Patent No.:** **US D668,374 S**
(45) **Date of Patent:** **** *Oct. 2, 2012**

(54) **LUMINAIRE**

(75) Inventor: **Tom Wauters**, Mortsel (BE)

(73) Assignee: **Koninklijke Philips Electronics N.V.**,
Eindhoven (NL)

(*) Notice: This patent is subject to a terminal disclaimer.

(**) Term: **14 Years**

(21) Appl. No.: **29/393,235**

(22) Filed: **Jun. 1, 2011**

(30) **Foreign Application Priority Data**

Dec. 2, 2010 (EM) 001788845-0002

(51) **LOC (9) Cl.** **26-03**

(52) **U.S. Cl.** **D26/89**

(58) **Field of Classification Search** D26/72,
D26/75, 76, 79, 80, 83, 85, 86, 88, 89, 91,
D26/120, 134-136; 362/147, 294, 351, 356,
362/453-457, 404-408, 432

See application file for complete search history.

(56) **References Cited**

U.S. PATENT DOCUMENTS

D192,608 S *	4/1962	Cooke	D26/76
D193,575 S *	9/1962	Blitzer	D26/76
D215,341 S *	9/1969	Mulvey et al.	D26/122
D221,351 S *	8/1971	Remington	D26/86
D473,667 S *	4/2003	Fromm	D26/56
D629,146 S *	12/2010	van den Akker	D26/89
D632,004 S *	2/2011	Waldmann	D26/88
D632,007 S *	2/2011	Kim et al.	D26/120
D634,055 S *	3/2011	Hokazono et al.	D26/89
D640,821 S *	6/2011	Kocks	D26/89
D641,098 S *	7/2011	Wildner	D26/89

* cited by examiner

Primary Examiner — Clare E Heflin

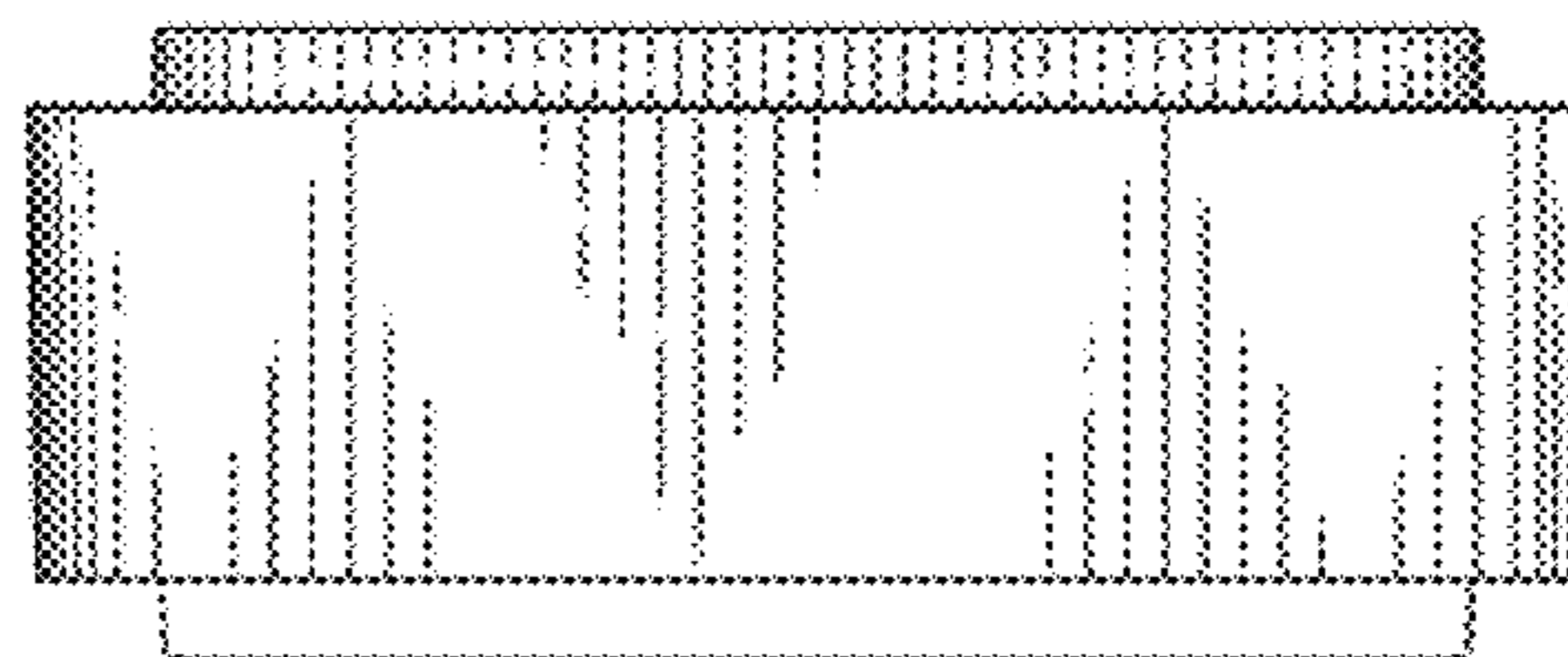
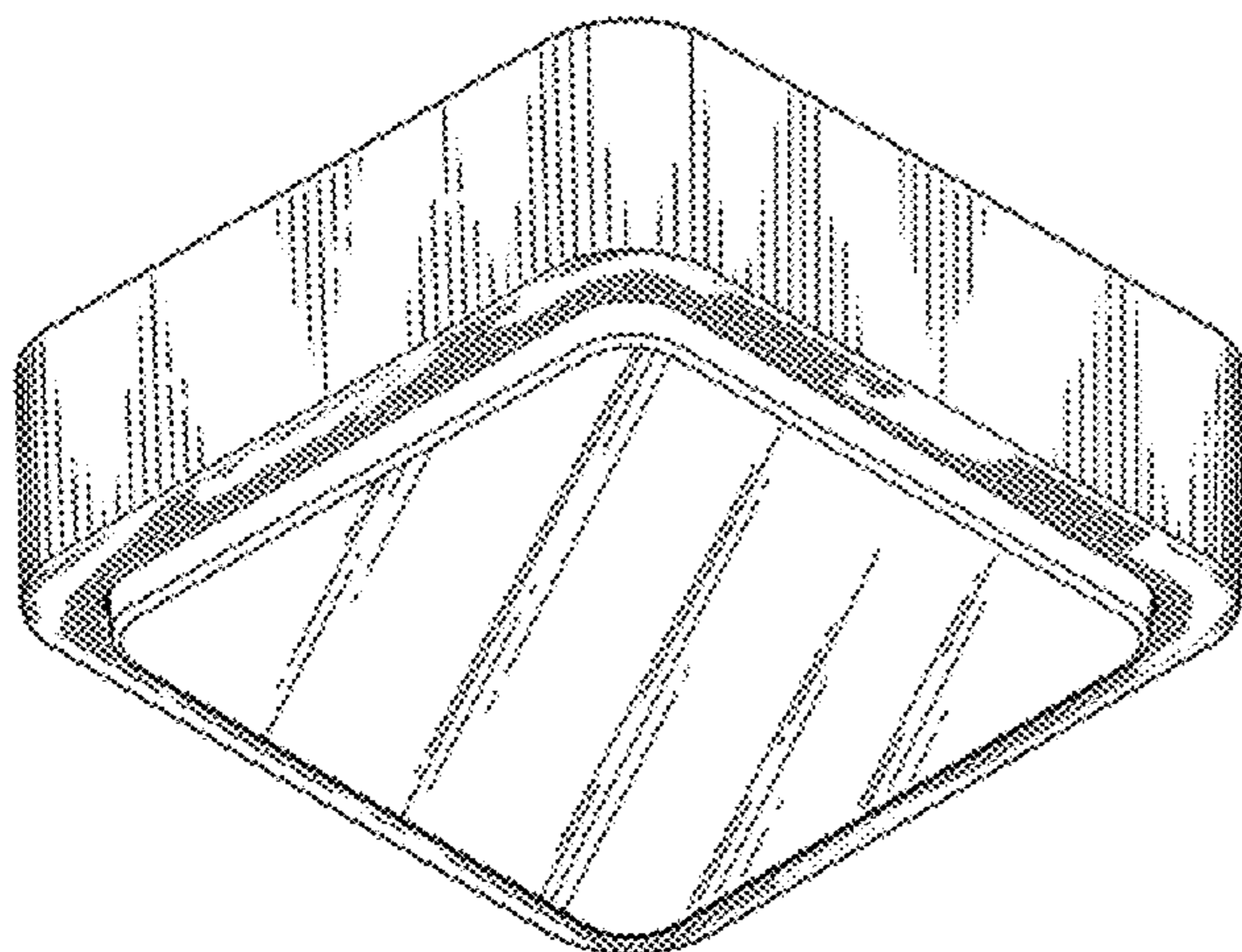
(57) **CLAIM**

The ornamental design for a luminaire, as shown.

DESCRIPTION

FIG. 1 is a perspective view showing my design;
FIG. 2 is a front elevational view thereof;
FIG. 3 is a rear elevational view thereof;
FIG. 4 is a right side elevational view thereof;
FIG. 5 is a left side elevational view thereof;
FIG. 6 is a top plan view thereof; and,
FIG. 7 is a bottom plan view thereof.

1 Claim, 4 Drawing Sheets



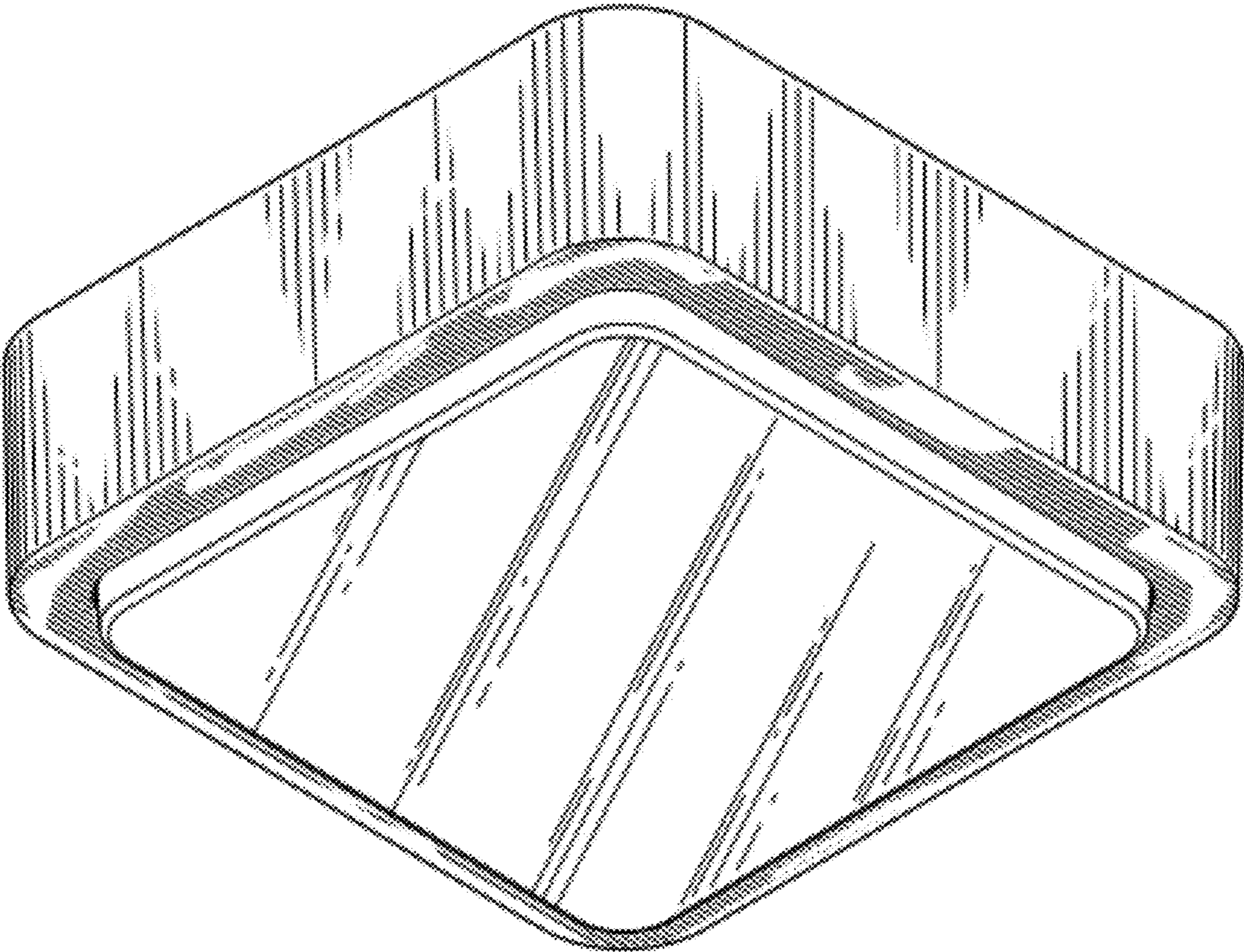


FIG. 1

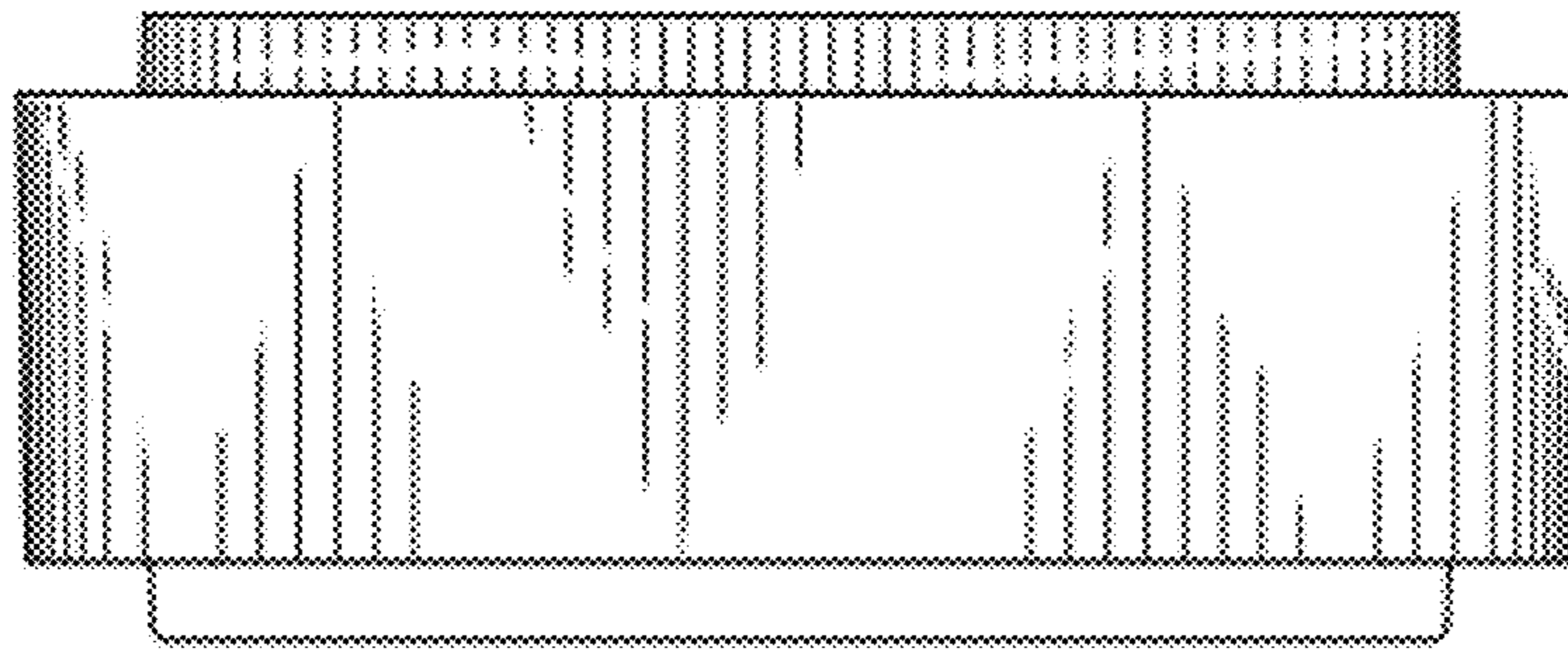


FIG. 2

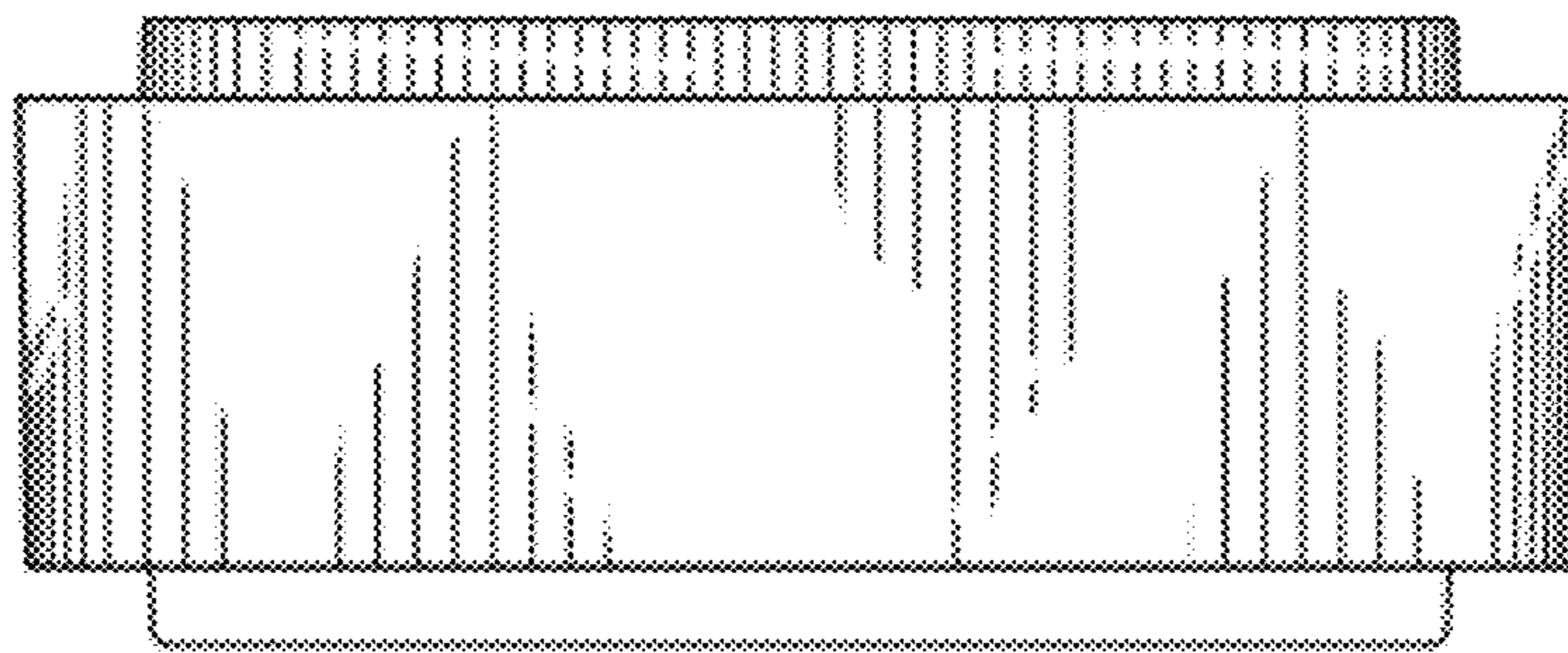


FIG. 3

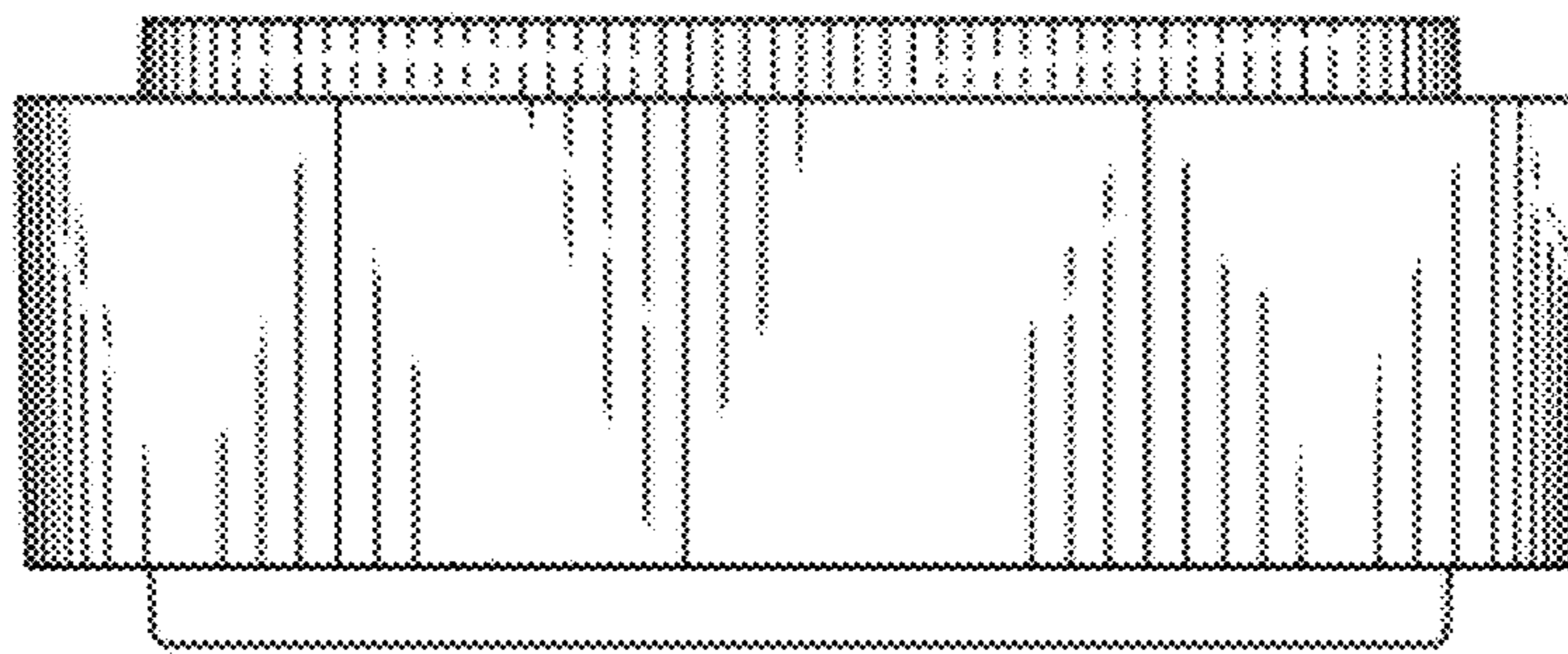


FIG. 4

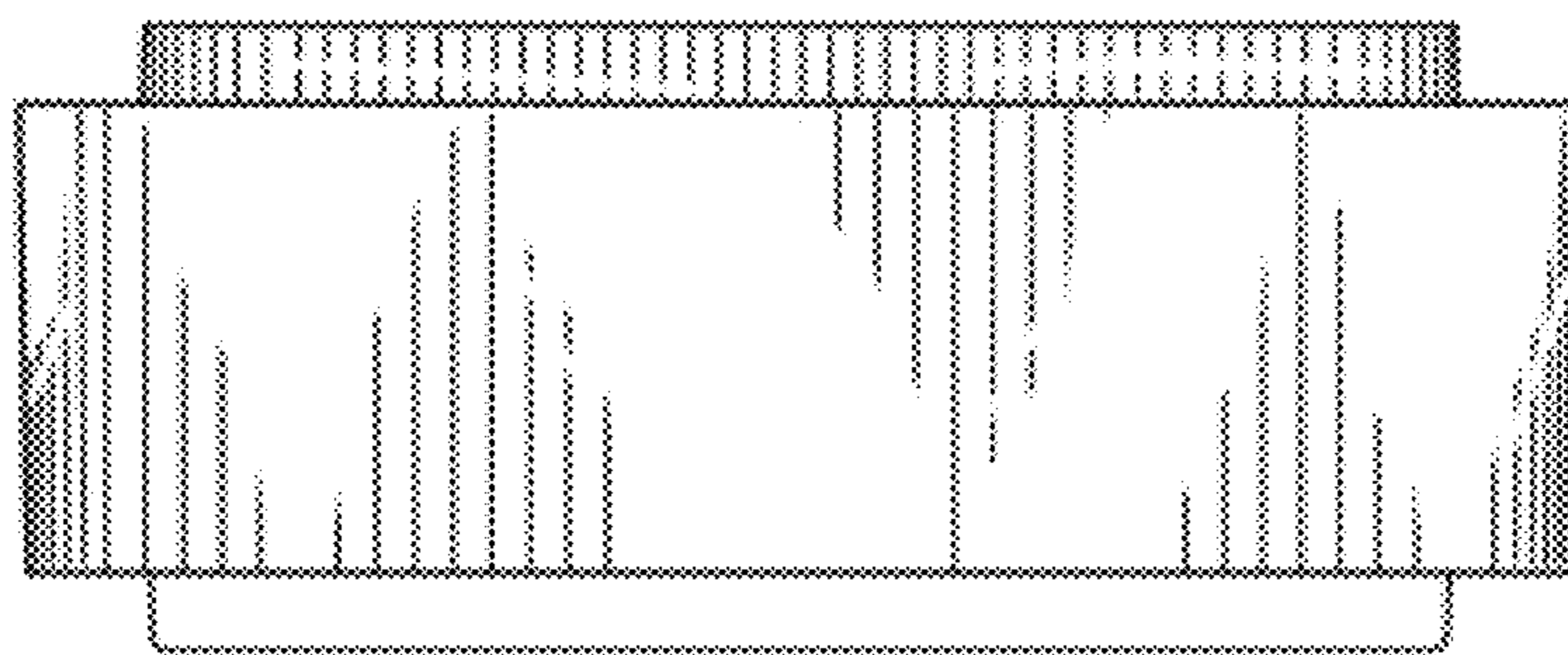


FIG. 5

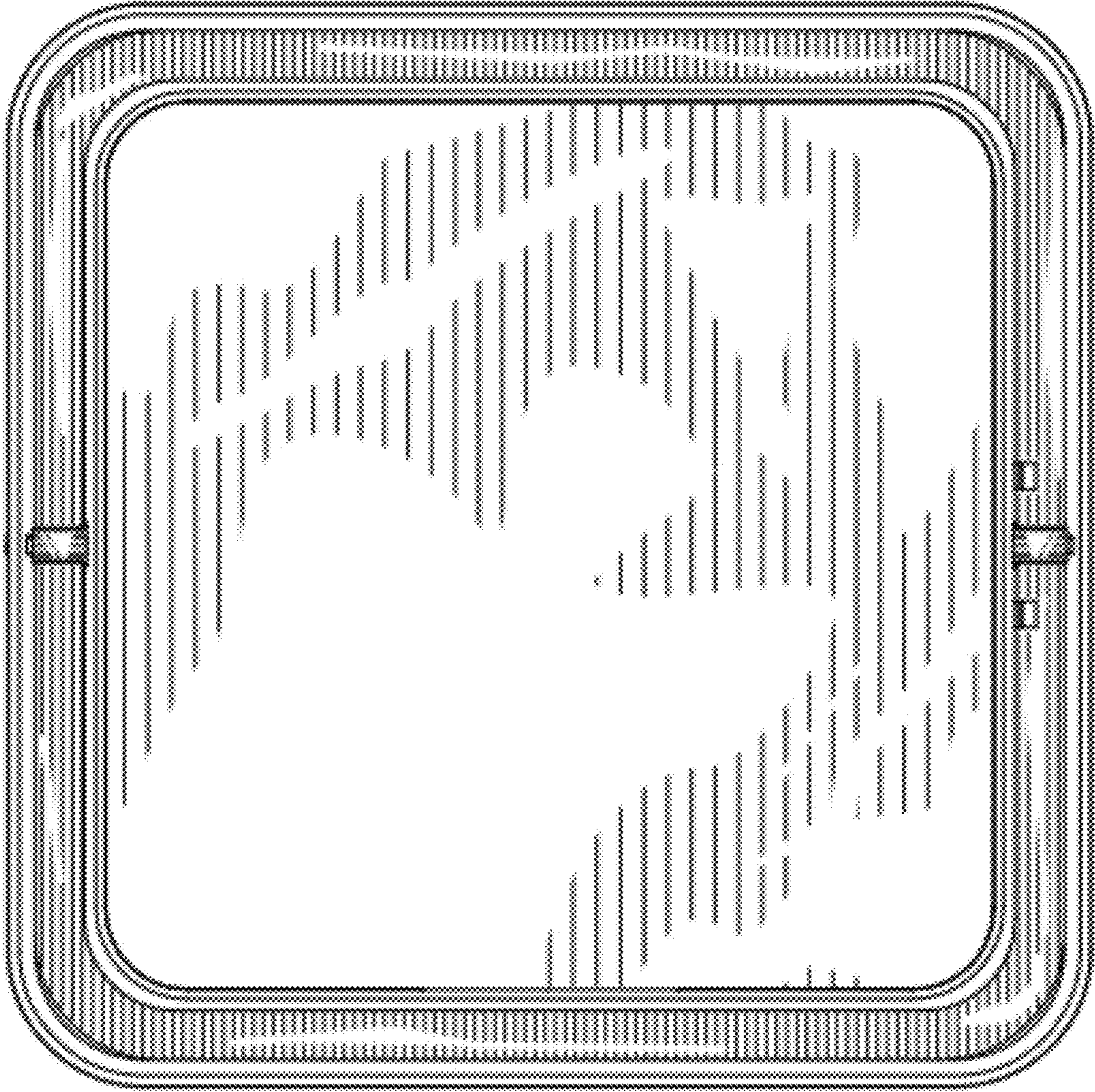


FIG.6

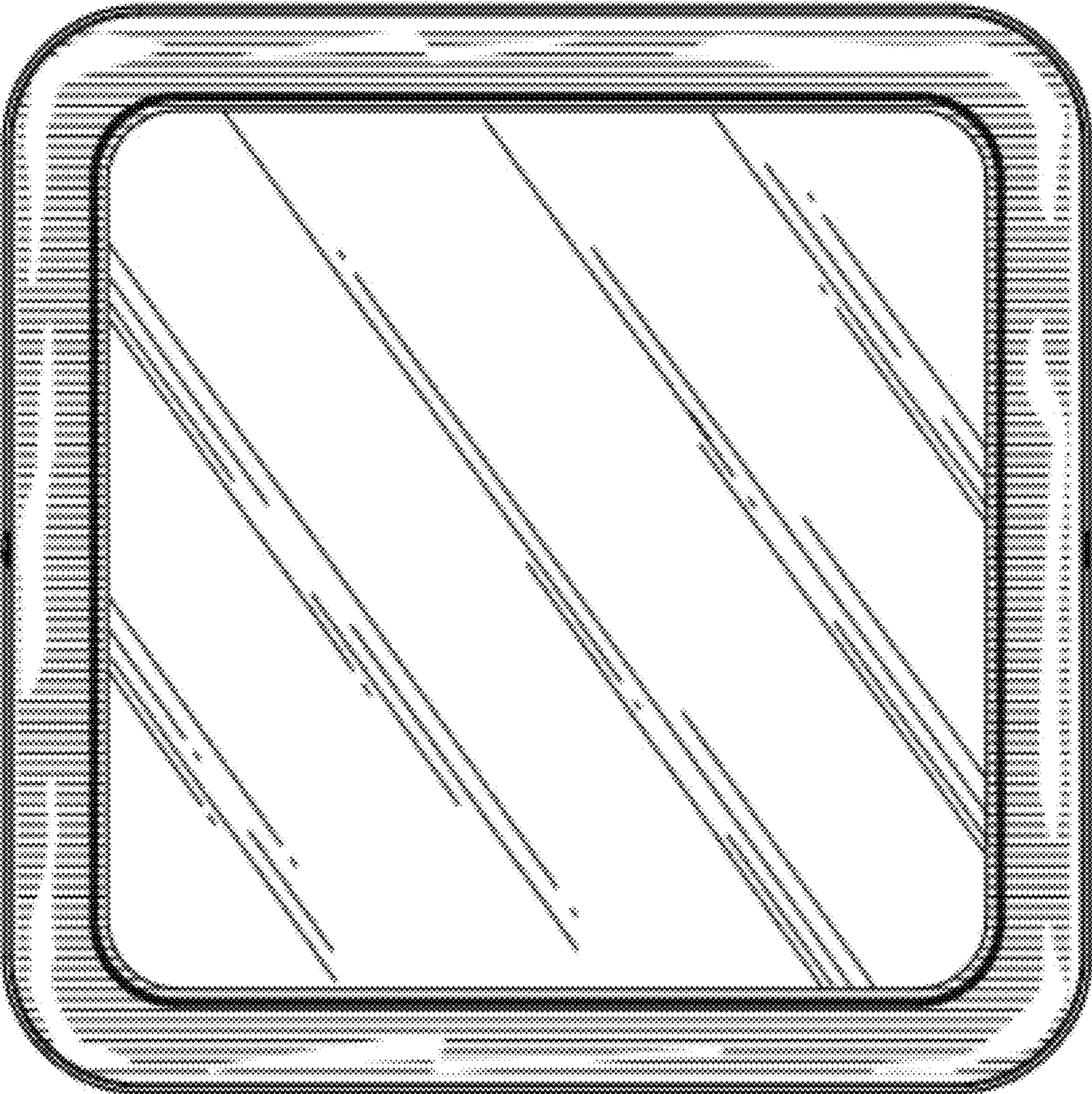


FIG.7