



US00D668372S

(12) **United States Design Patent**
Renshaw et al.

(10) **Patent No.:** **US D668,372 S**
(45) **Date of Patent:** **** Oct. 2, 2012**

(54) **CEILING LIGHT FIXTURE**

(75) Inventors: **Ronald H. Renshaw**, Longview, WA (US); **Kenneth J. Courian**, Portland, OR (US)

(73) Assignee: **Kaper II, Inc.**, Kelso, WA (US)

(**) Term: **14 Years**

(21) Appl. No.: **29/393,308**

(22) Filed: **Jun. 2, 2011**

(51) **LOC (9) Cl.** **26-05**

(52) **U.S. Cl.** **D26/74**

(58) **Field of Classification Search** D26/74,
D26/72, 113, 118, 133, 134, 136, 24, 59,
D26/63, 75, 76, 77, 78, 79, 80, 81, 82, 83,
D26/84, 85, 138; 362/126, 145, 146, 147,
362/148, 150, 151, 152, 153, 153.1, 218,
362/217.05, 217.06, 217.07, 294, 296.01,
362/296.07, 296.08, 311.01, 311.07, 311.09,
362/345, 364, 365, 366, 373; D23/379

See application file for complete search history.

(56) **References Cited**

U.S. PATENT DOCUMENTS

D383,564 S *	9/1997	Lecluze	D26/118
D397,472 S *	8/1998	Lecluze	D26/118
D473,965 S *	4/2003	Lecluze	D26/74
D473,966 S *	4/2003	Lecluze	D26/74
D488,251 S *	4/2004	Benghozi	D26/118
D544,979 S	6/2007	Hartmann, Jr. et al.	
D548,389 S *	8/2007	Lecluze	D26/138
D548,390 S *	8/2007	Lecluze	D26/138
D548,391 S *	8/2007	Lecluze	D26/138
7,322,722 B2	1/2008	Hartmann, Jr. et al.	
D561,374 S	2/2008	Hartmann, Jr. et al.	
D562,489 S *	2/2008	Rashidi	D26/74
D595,005 S	6/2009	Chou	

D609,840 S *	2/2010	Tang	D26/74
D622,434 S *	8/2010	Ward et al.	D26/74
D636,922 S *	4/2011	Yoshida et al.	D26/74
D640,819 S *	6/2011	Pan	D26/74

OTHER PUBLICATIONS

Kaper II Lighting Catalog, pp. 56-59, <http://www.kiigreenerservices.com>, downloaded Nov. 28, 2011.

* cited by examiner

Primary Examiner — Angela J Lee

(74) *Attorney, Agent, or Firm* — Stoel Rives LLP

(57) **CLAIM**

The ornamental design for a ceiling light fixture, as shown and described.

DESCRIPTION

FIG. 1 is a front, top isometric view of a ceiling light fixture showing the new design;

FIG. 2 is a right side elevation view thereof;

FIG. 3 is a front side elevation view thereof;

FIG. 4 is a left side elevation view thereof;

FIG. 5 is a rear side elevation view thereof;

FIG. 6 is a top plan view thereof.

FIG. 7 is a front, top isometric view of a modified embodiment of the design of FIGS. 1-6;

FIG. 8 is a right side elevation view thereof;

FIG. 9 is a front side elevation view thereof;

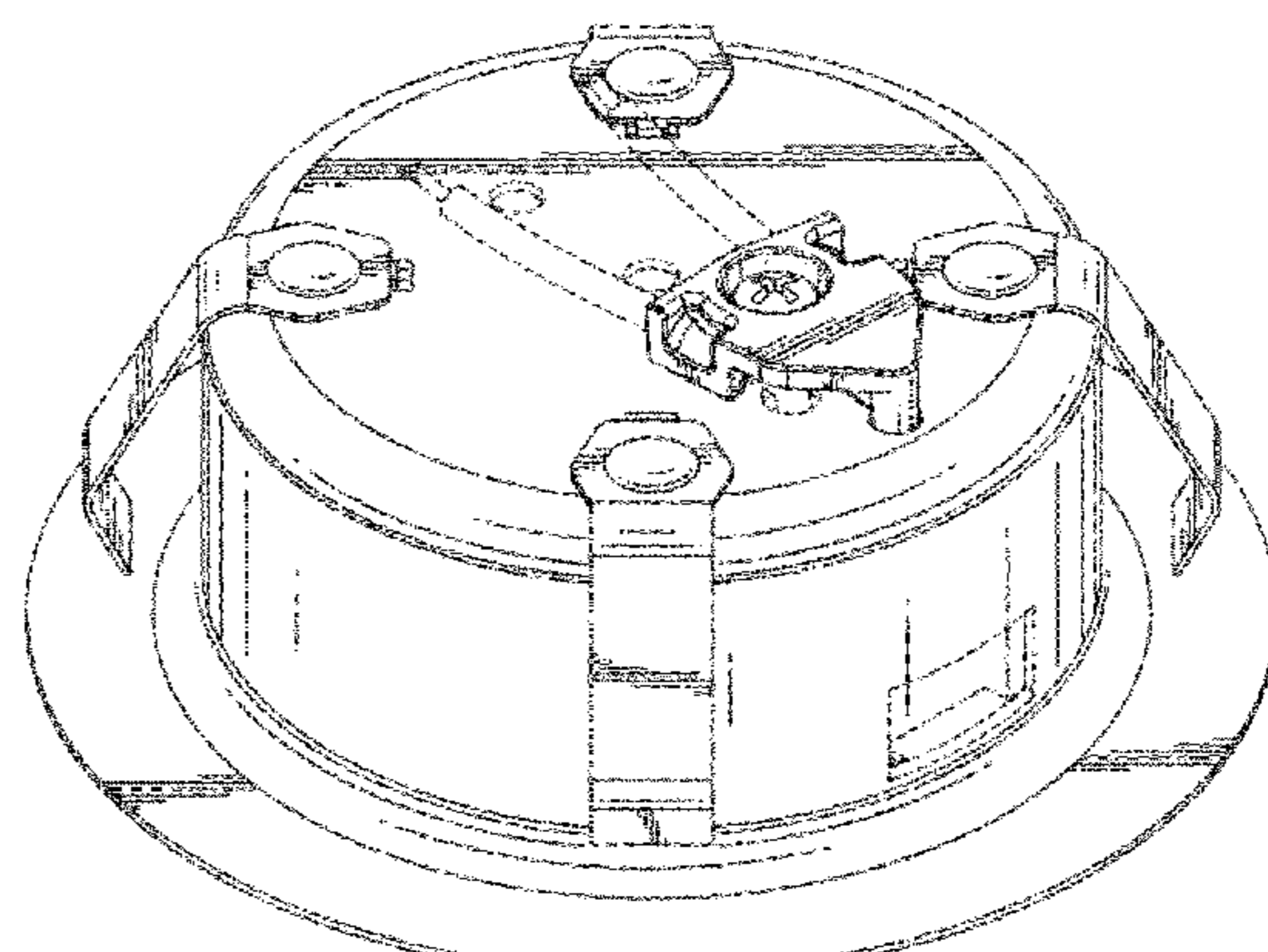
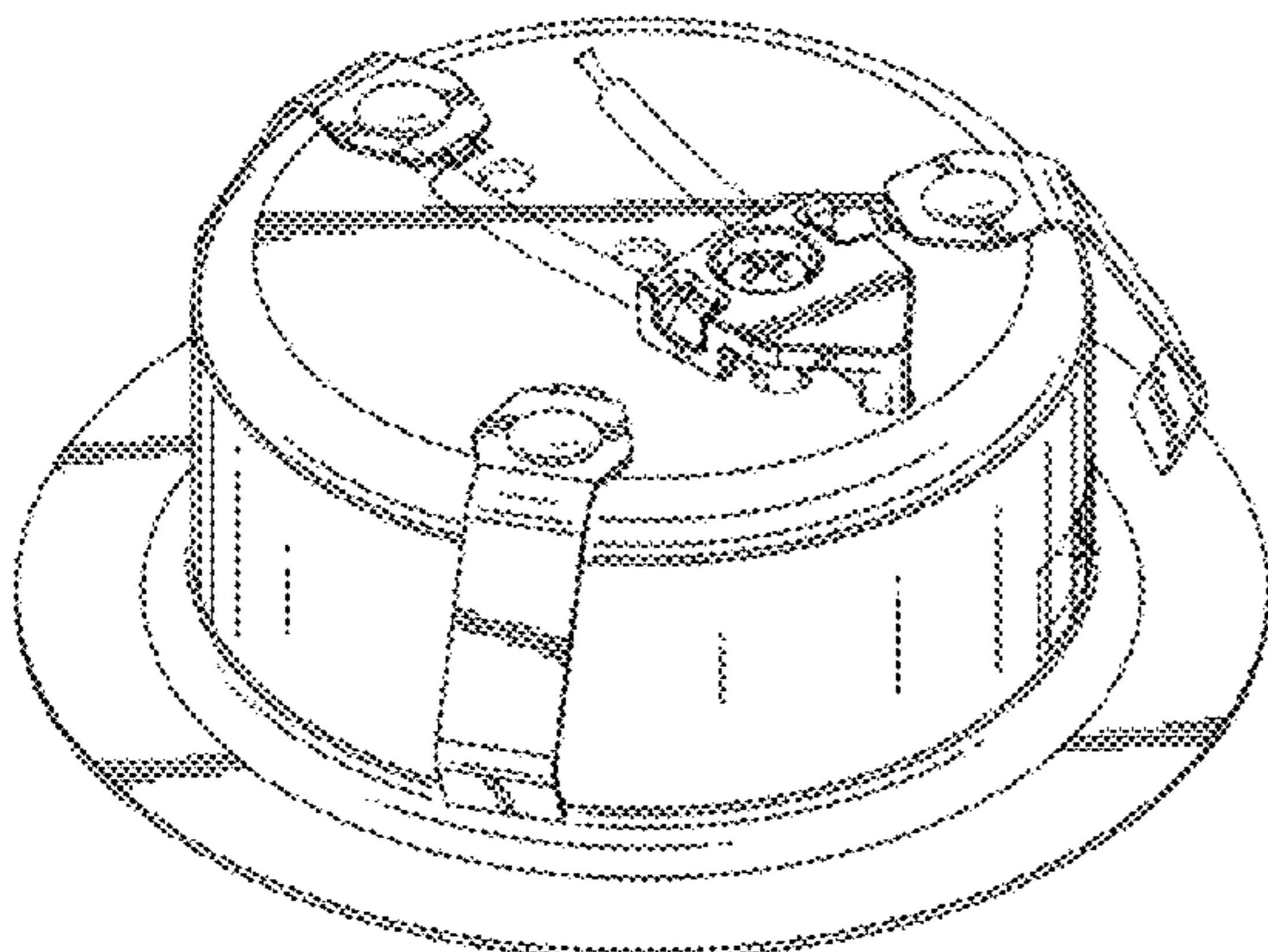
FIG. 10 is a left side elevation view thereof;

FIG. 11 is a rear side elevation view thereof; and,

FIG. 12 is a top plan view thereof.

The bottom views are omitted as forming no part of the claimed design. The broken lines in FIGS. 1-12 are for illustrative purposes only and form no part of the claimed design.

1 Claim, 6 Drawing Sheets



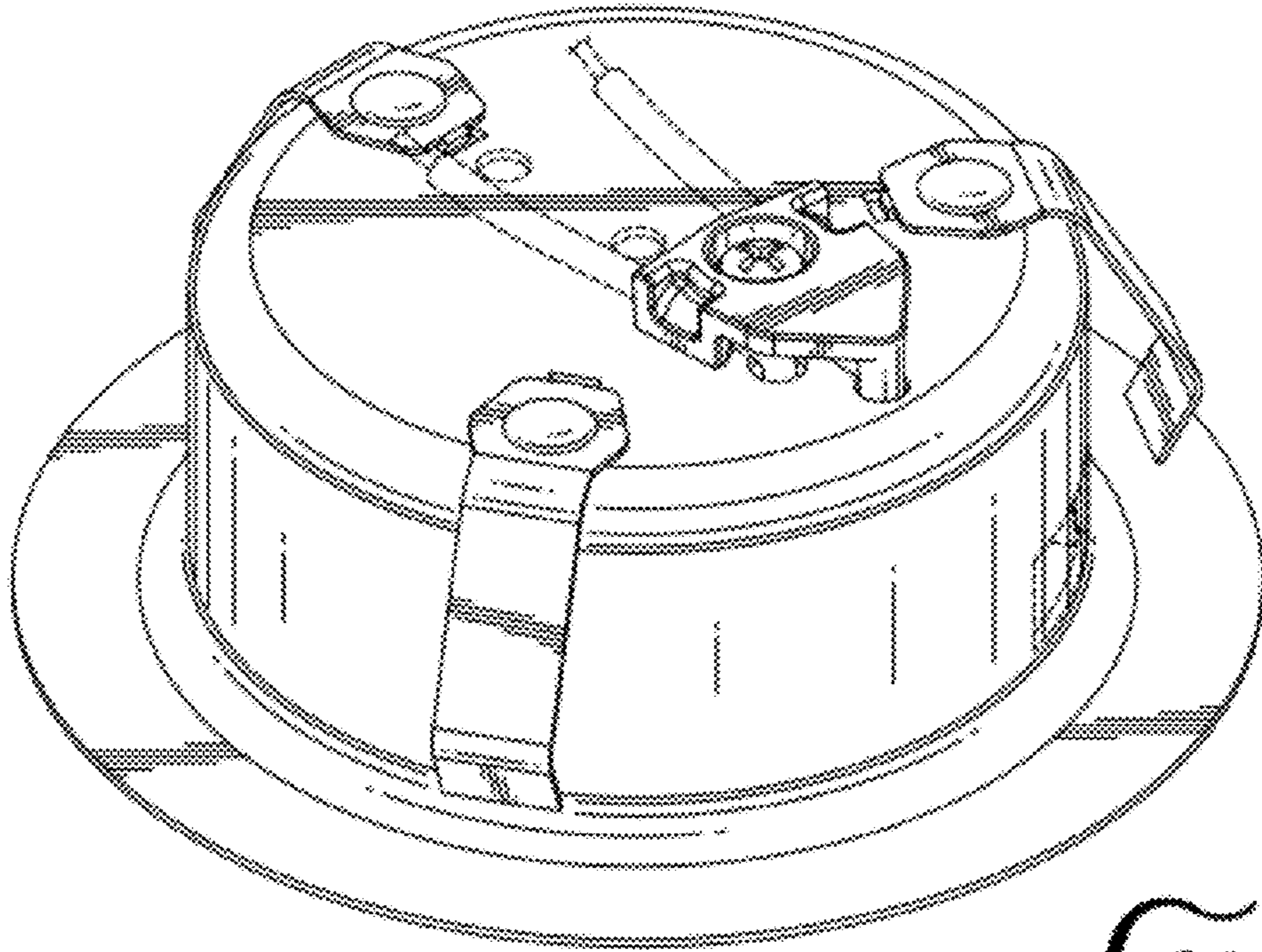


FIG. 1

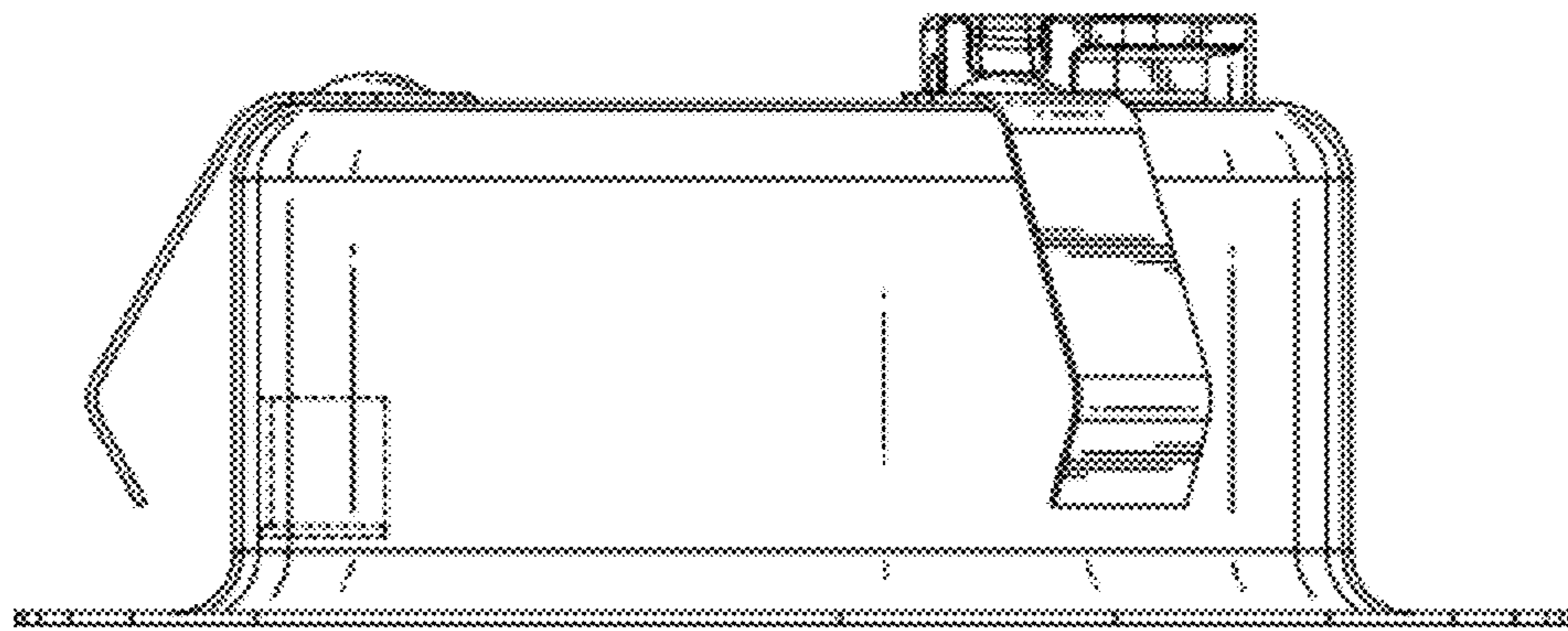


FIG. 2

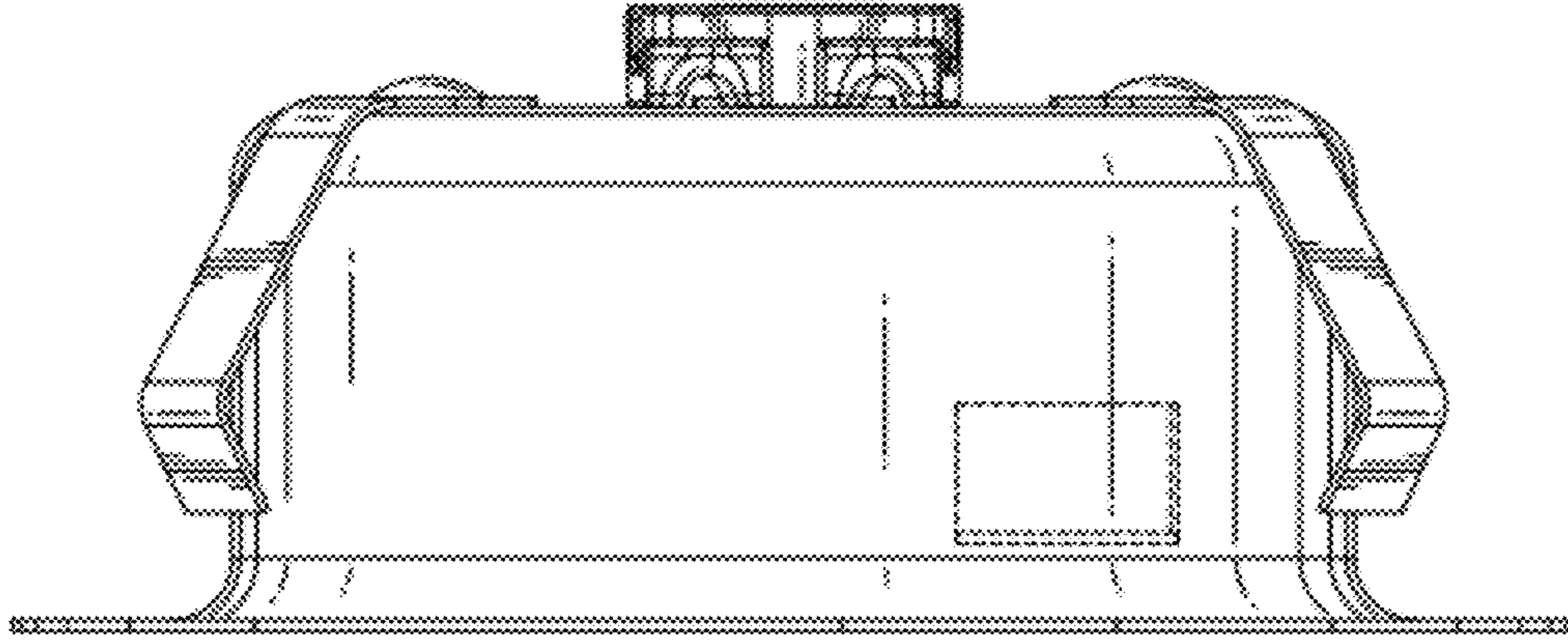


FIG. 3

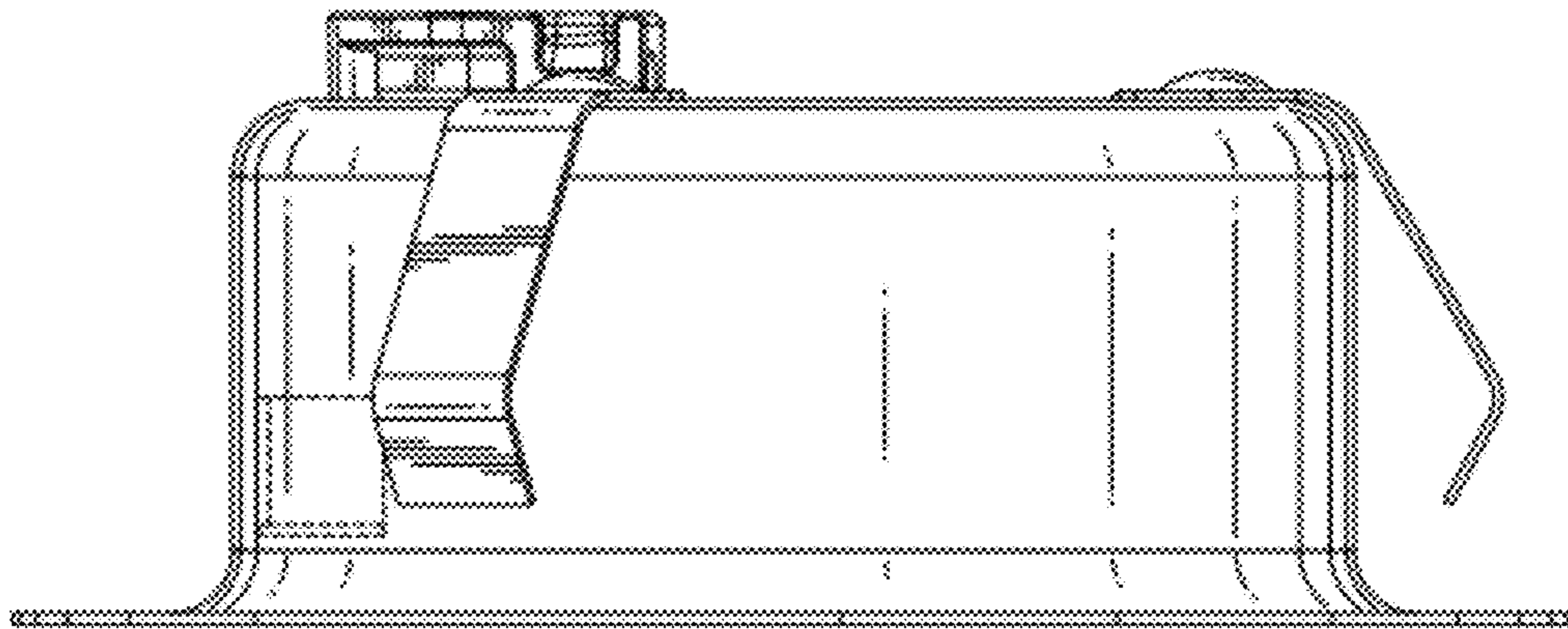


FIG. 4

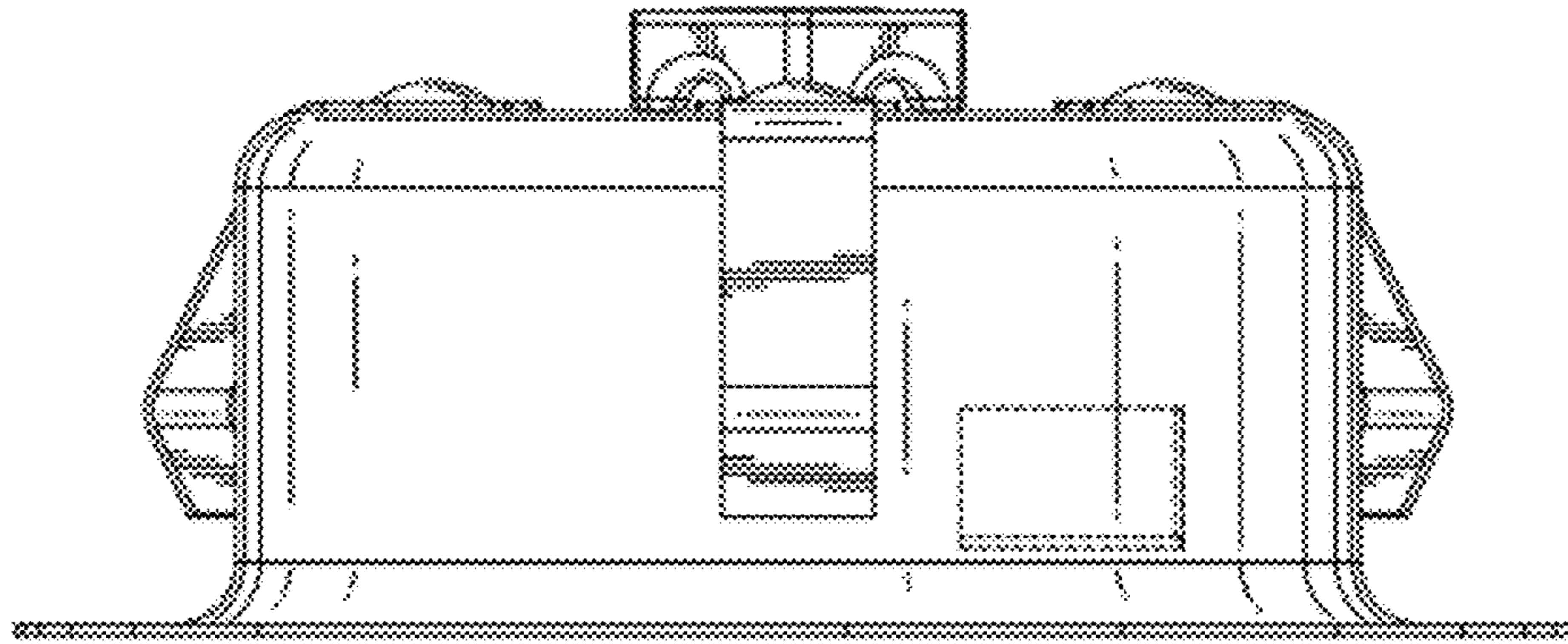


Fig. 5

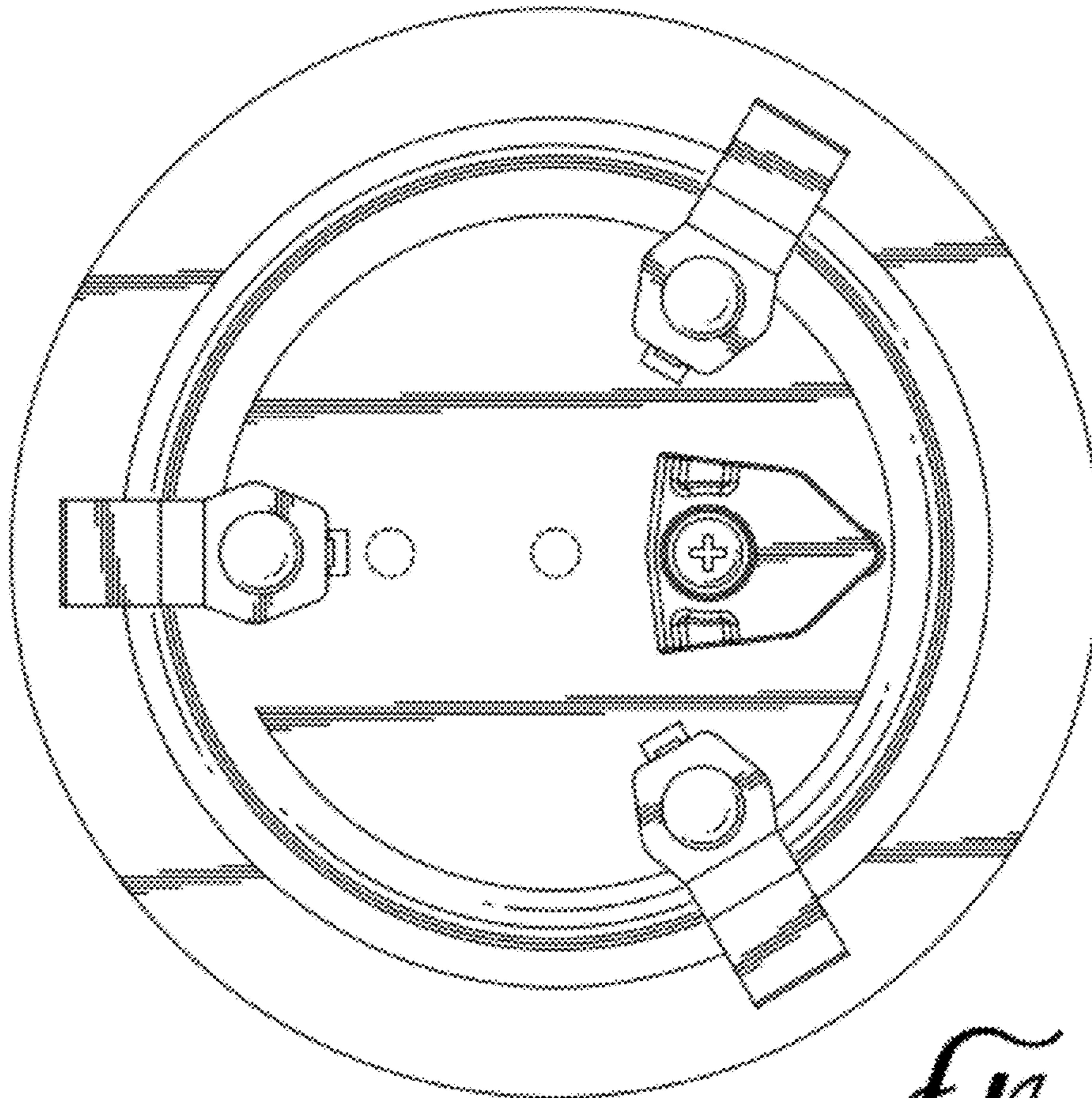


Fig. 6

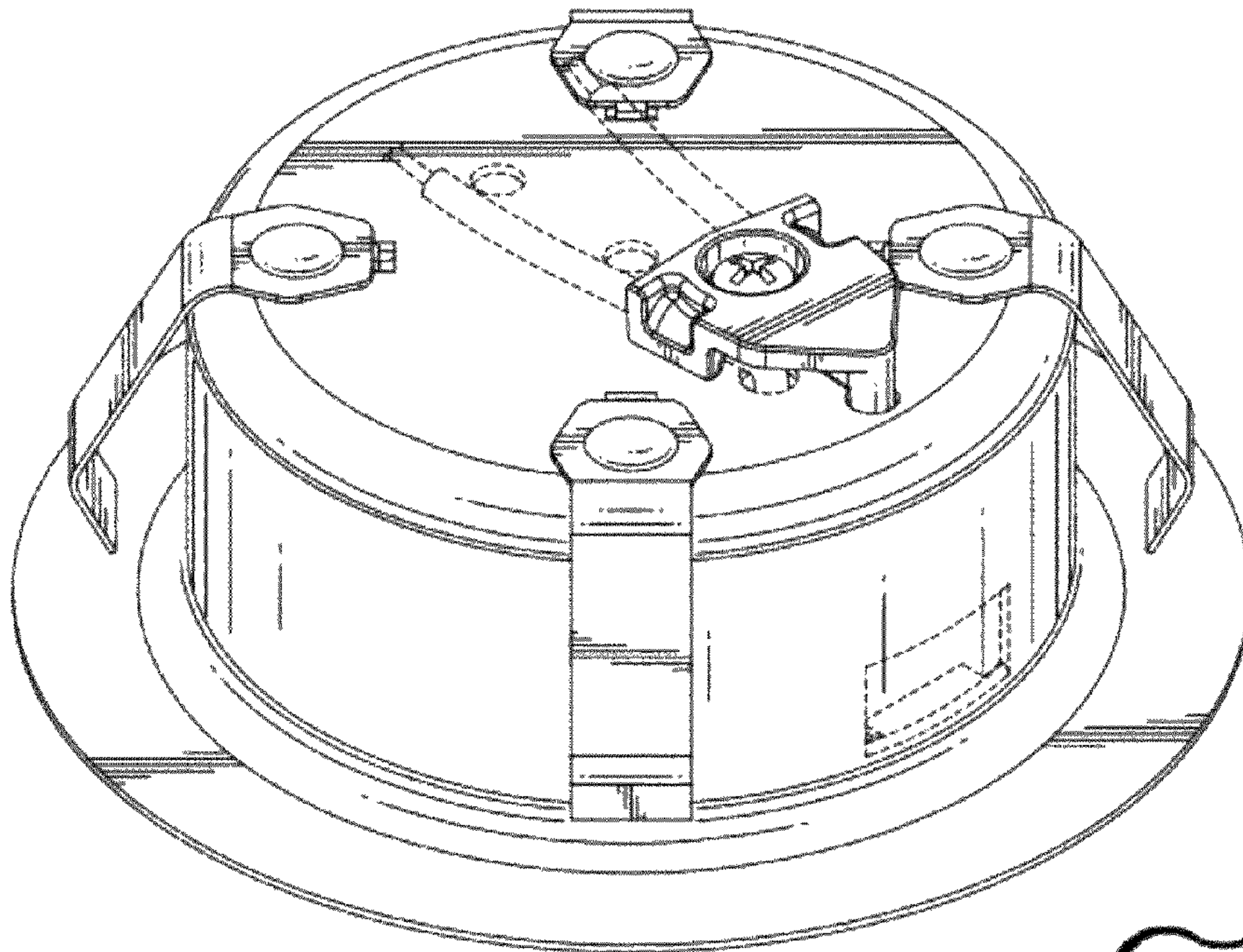


FIG. 7

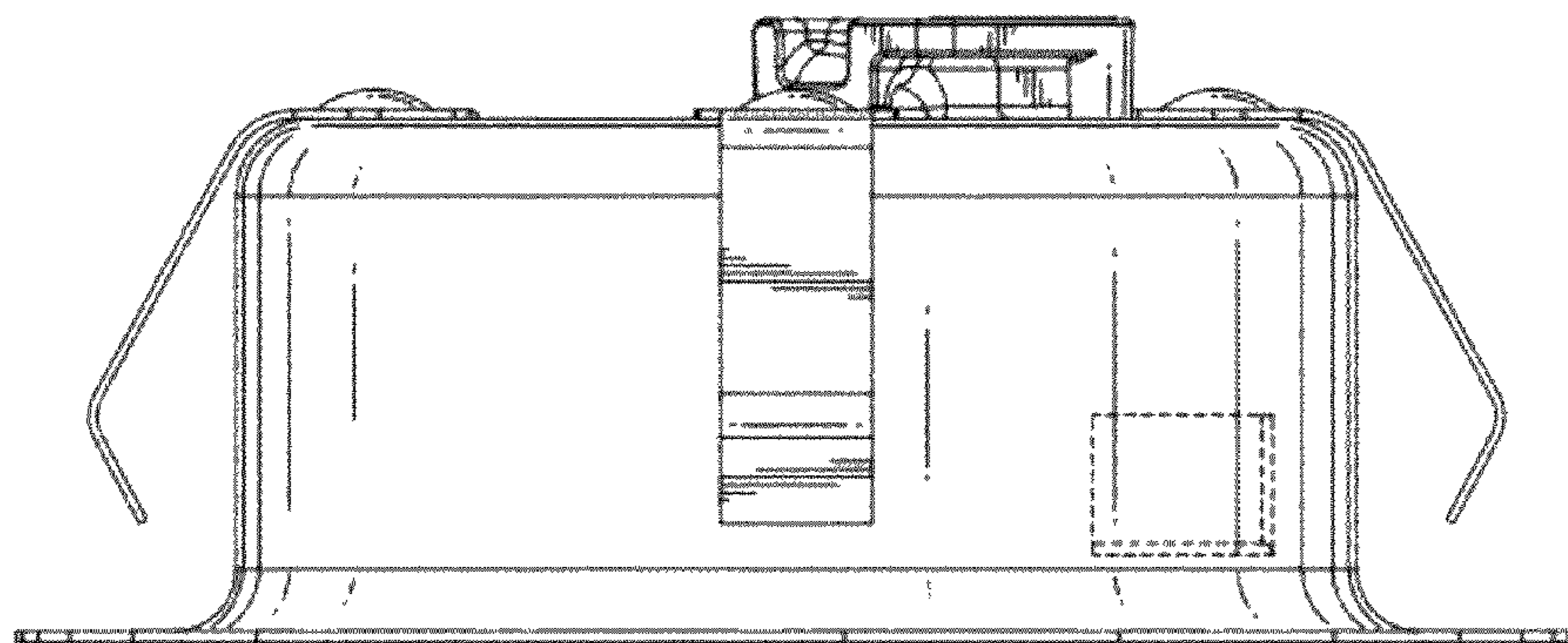


FIG. 8

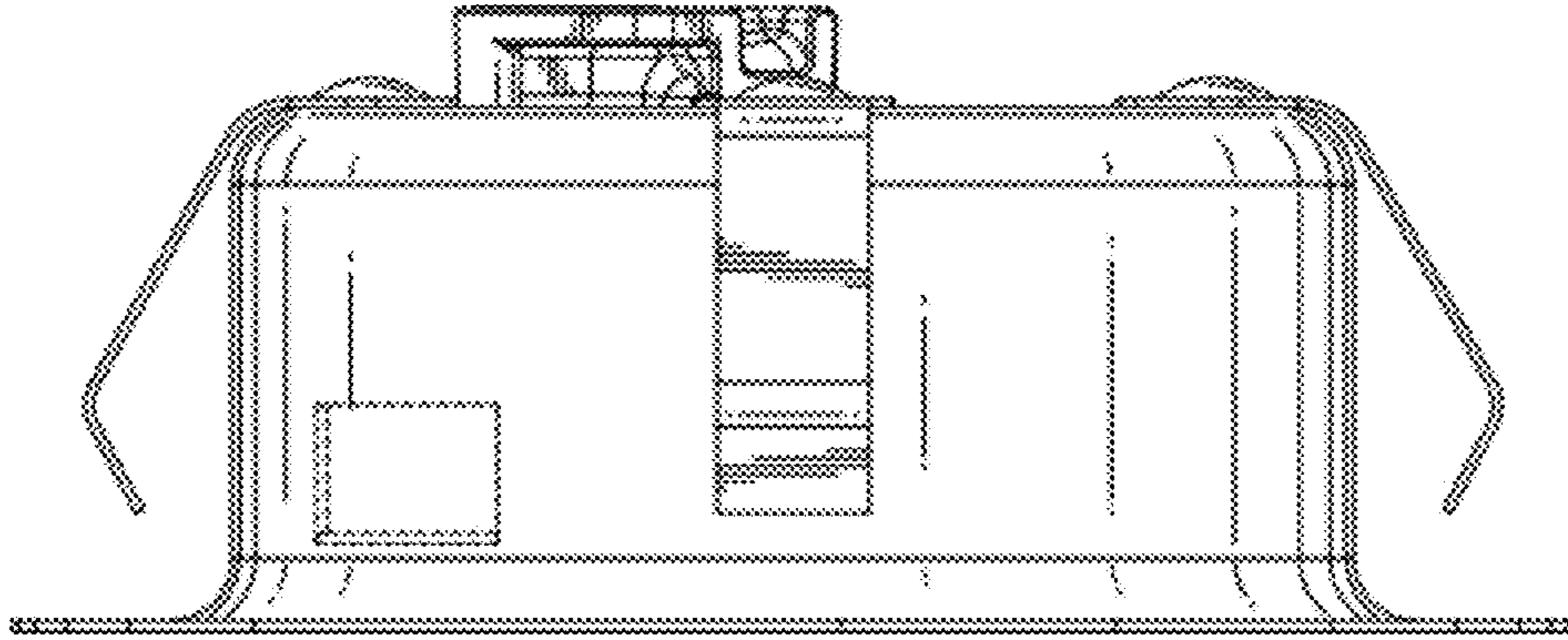


Fig. 9

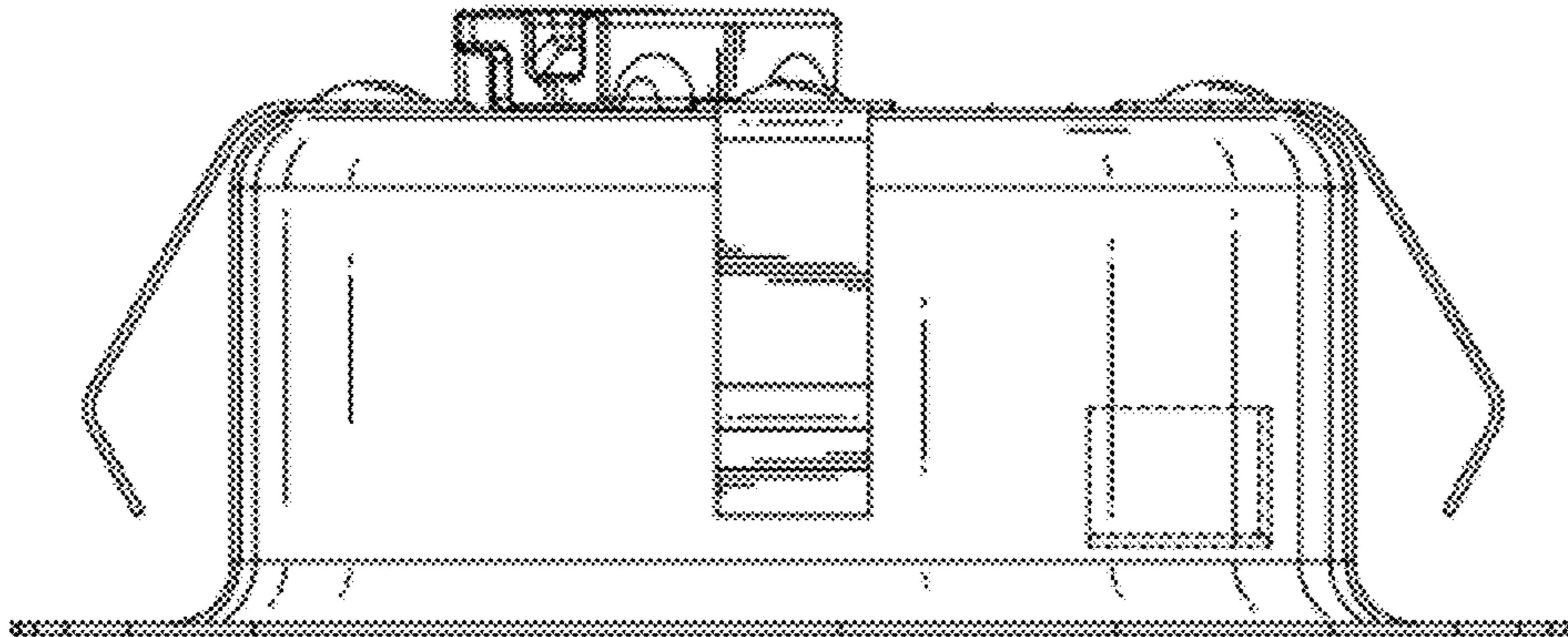


Fig. 10

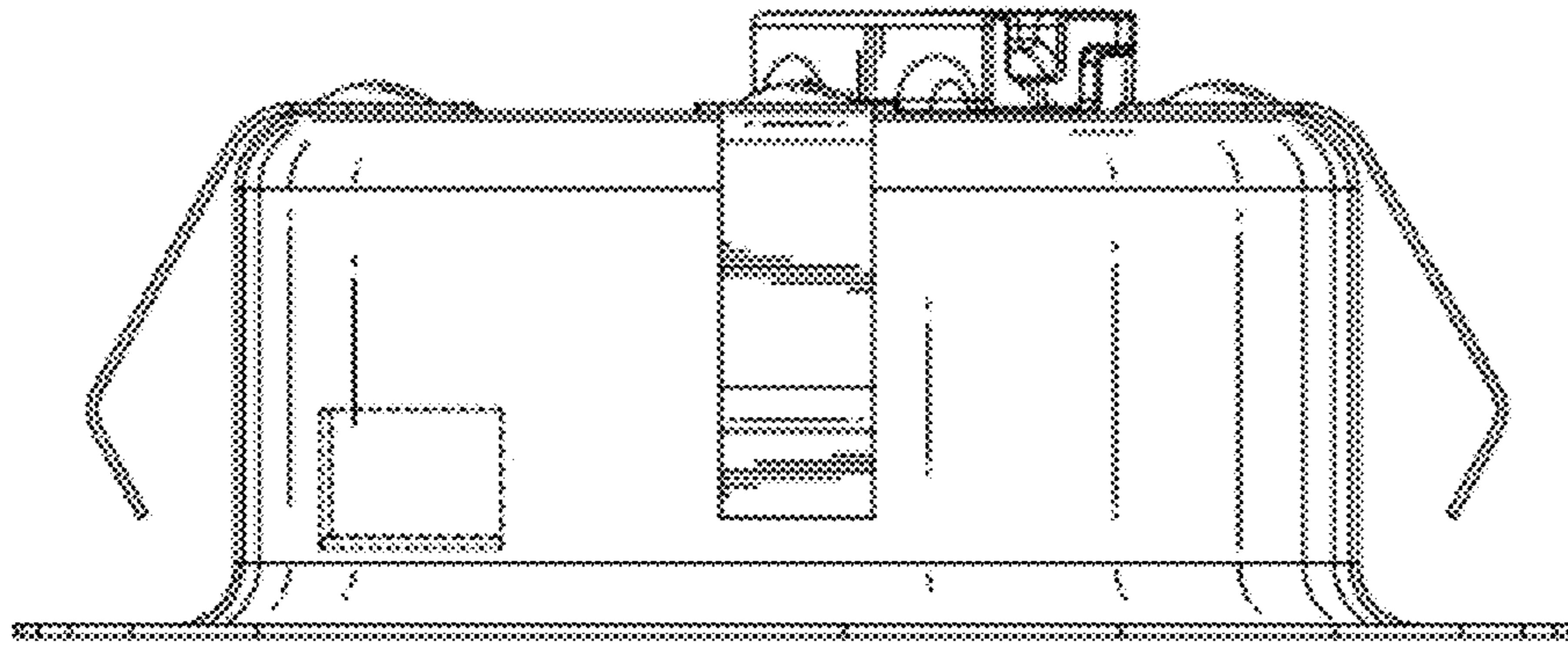


Fig. 11

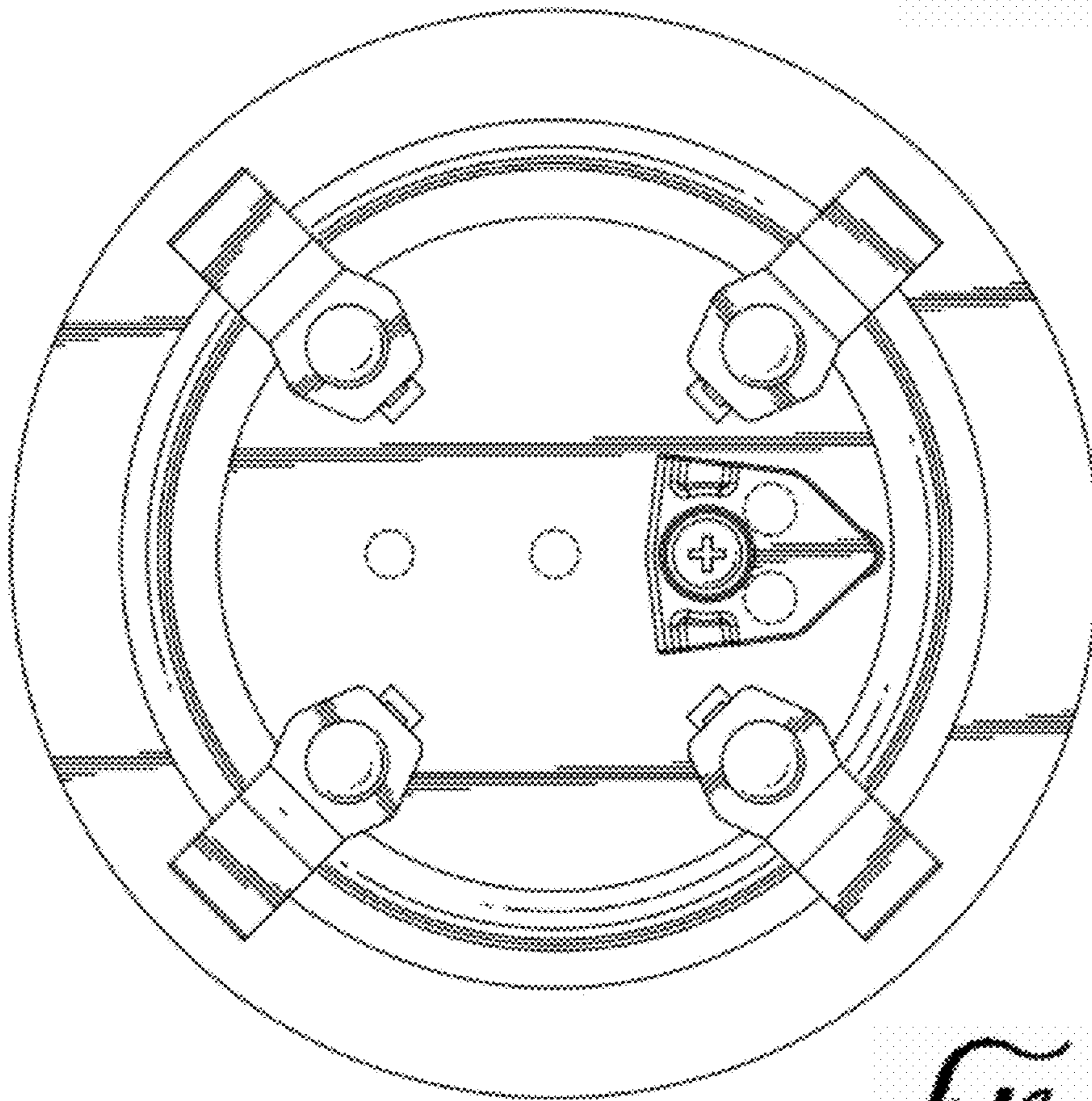


Fig. 12